



US00D413655S

United States Patent [19] Gottwald

[11] **Patent Number: Des. 413,655**

[45] **Date of Patent: ** *Sep. 7, 1999**

[54] **LEVER HEAD AND ESCUTCHEON FOR A WALL-MOUNT SHOWER FAUCET**

[75] Inventor: **Adolf Gottwald**, Iserlohn, Germany

[73] Assignee: **Friedrich Grohe AG**, Hemer, Germany

[*] Notice: This patent is subject to a terminal disclaimer.

[**] Term: **14 Years**

[21] Appl. No.: **29/091,539**

[22] Filed: **Jul. 31, 1998**

[30] Foreign Application Priority Data

Feb. 19, 1998 [DE] Germany M 98 01 732

[51] **LOC (6) Cl.** **23-01**

[52] **U.S. Cl.** **D23/254**

[58] **Field of Search** D23/238-243,
D23/250-257, 213; D8/300-310; 4/675-678;
137/801

[56] References Cited

U.S. PATENT DOCUMENTS

D. 373,180 8/1996 Gottwald D23/254

D. 393,895 4/1998 Gottwald D23/254
D. 401,674 11/1998 Lord D23/254
D. 402,006 12/1998 Hill et al. D23/254
D. 402,008 12/1998 Hill et al. D23/254
D. 402,009 12/1998 Gottwald D23/254

Primary Examiner—Doris Clark
Assistant Examiner—Eric Watterson
Attorney, Agent, or Firm—Herbert Dubno

[57] CLAIM

The ornamental design for a lever head and escutcheon for a wall-mount shower faucet, as shown and described.

DESCRIPTION

FIG. 1 is a top, front, left-side perspective view of a lever head and escutcheon for a wall-mount or shower faucet showing my new design;

FIG. 2 is a bottom view thereof;

FIG. 3 is a front view thereof;

FIG. 4 is a right side-elevational view thereof, the left side-elevational view being mirror symmetrical thereto;

FIG. 5 is a top view thereof; and,

FIG. 6 is a rear view thereof, not visible in use.

1 Claim, 3 Drawing Sheets

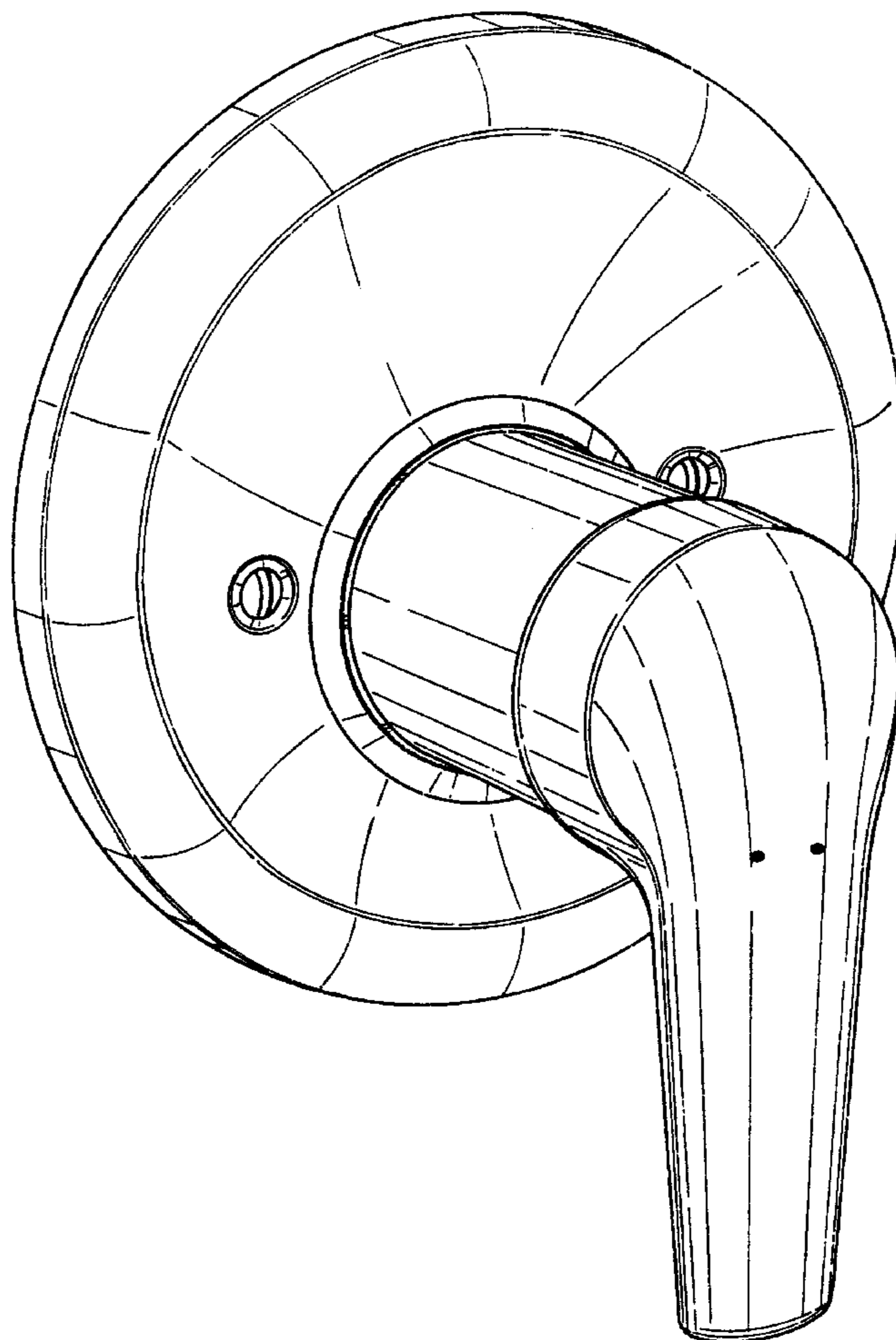


FIG. 1

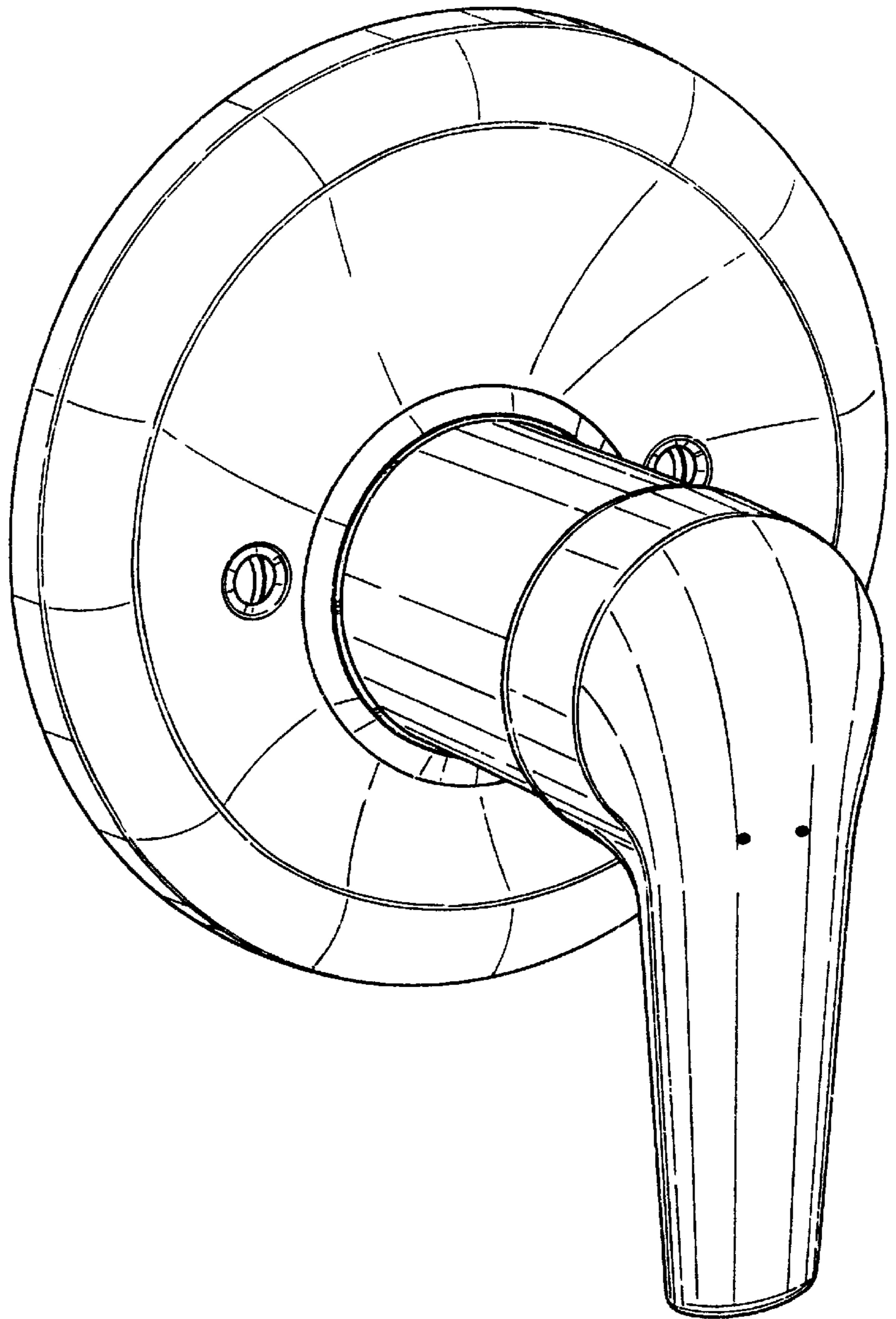
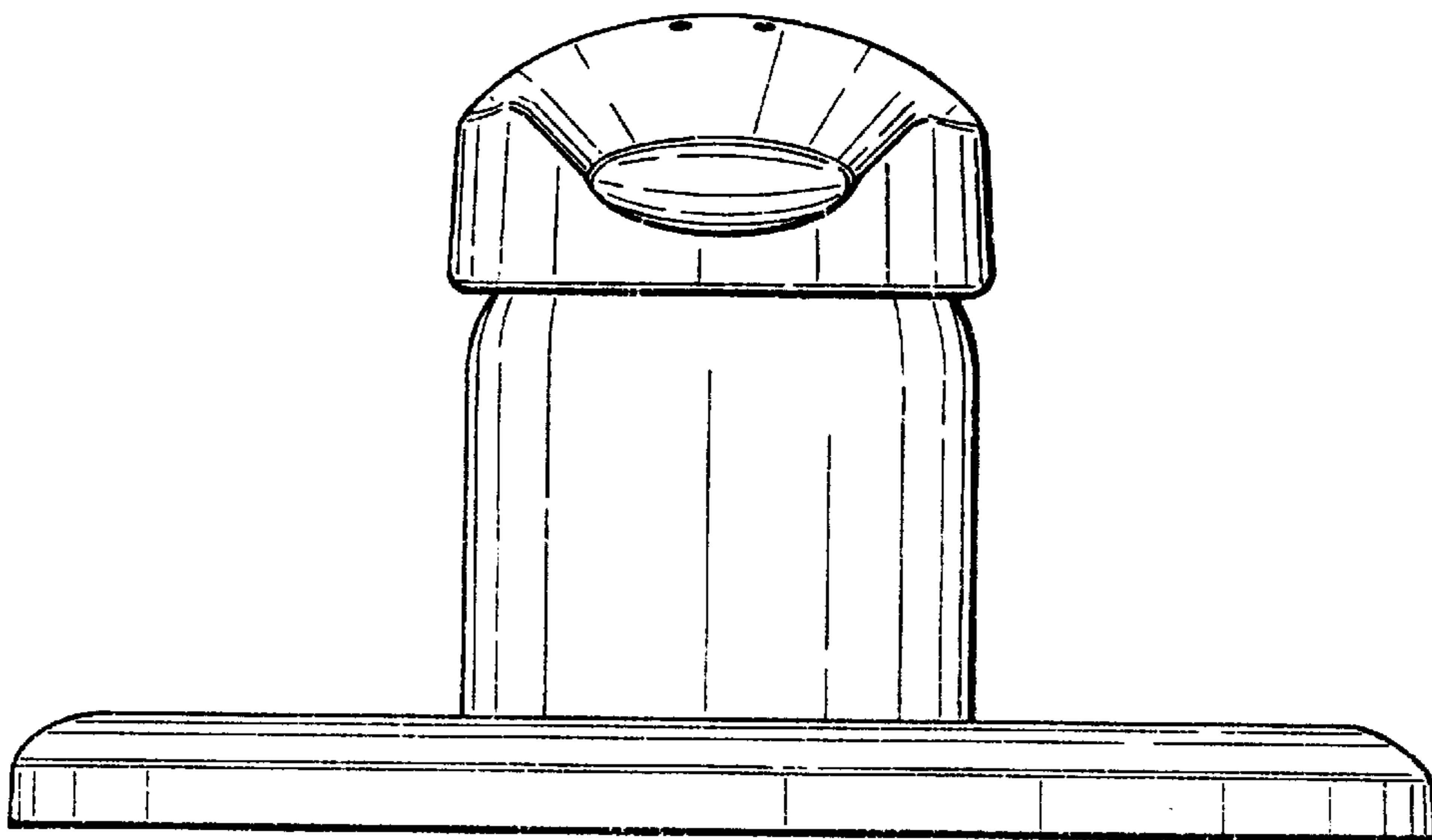


FIG. 2



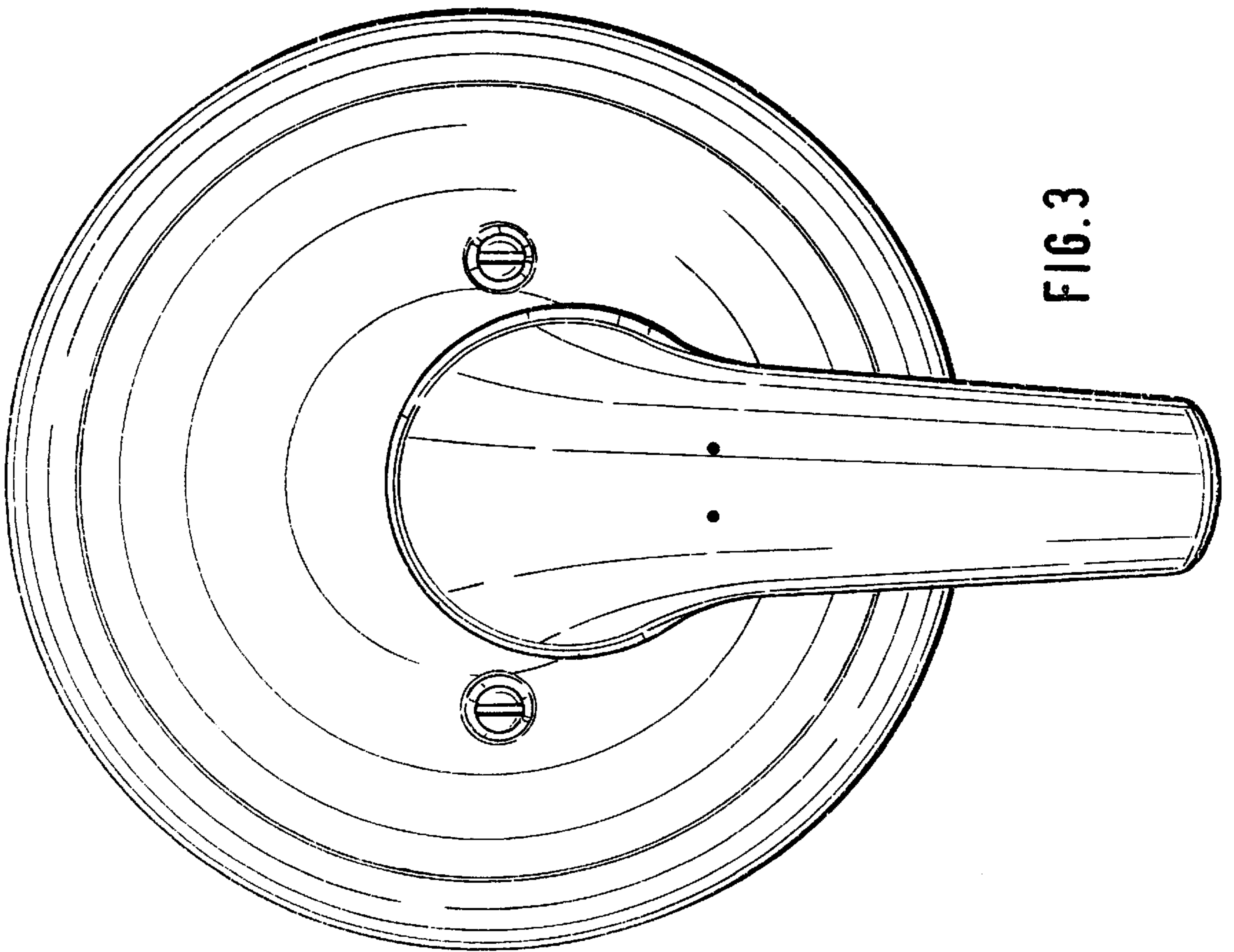
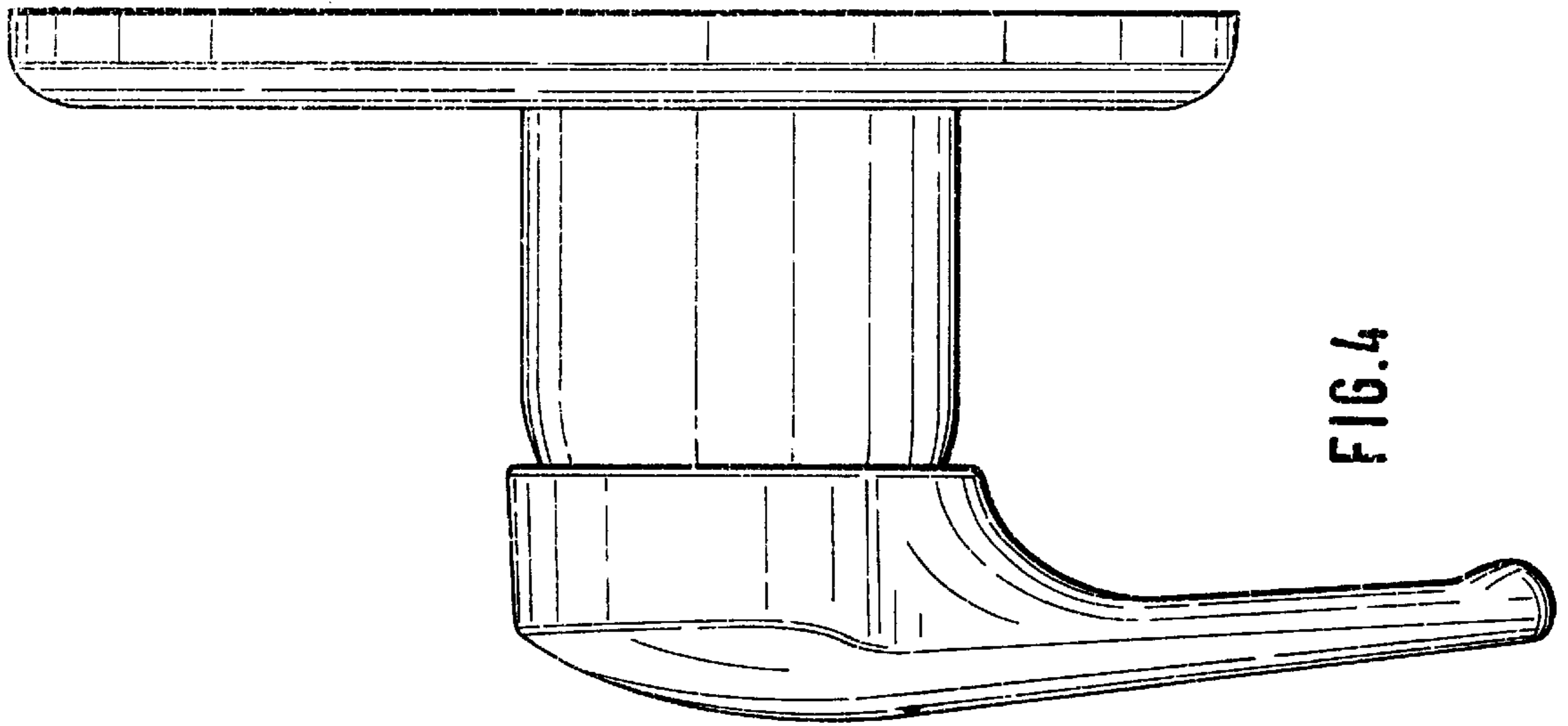


FIG. 5

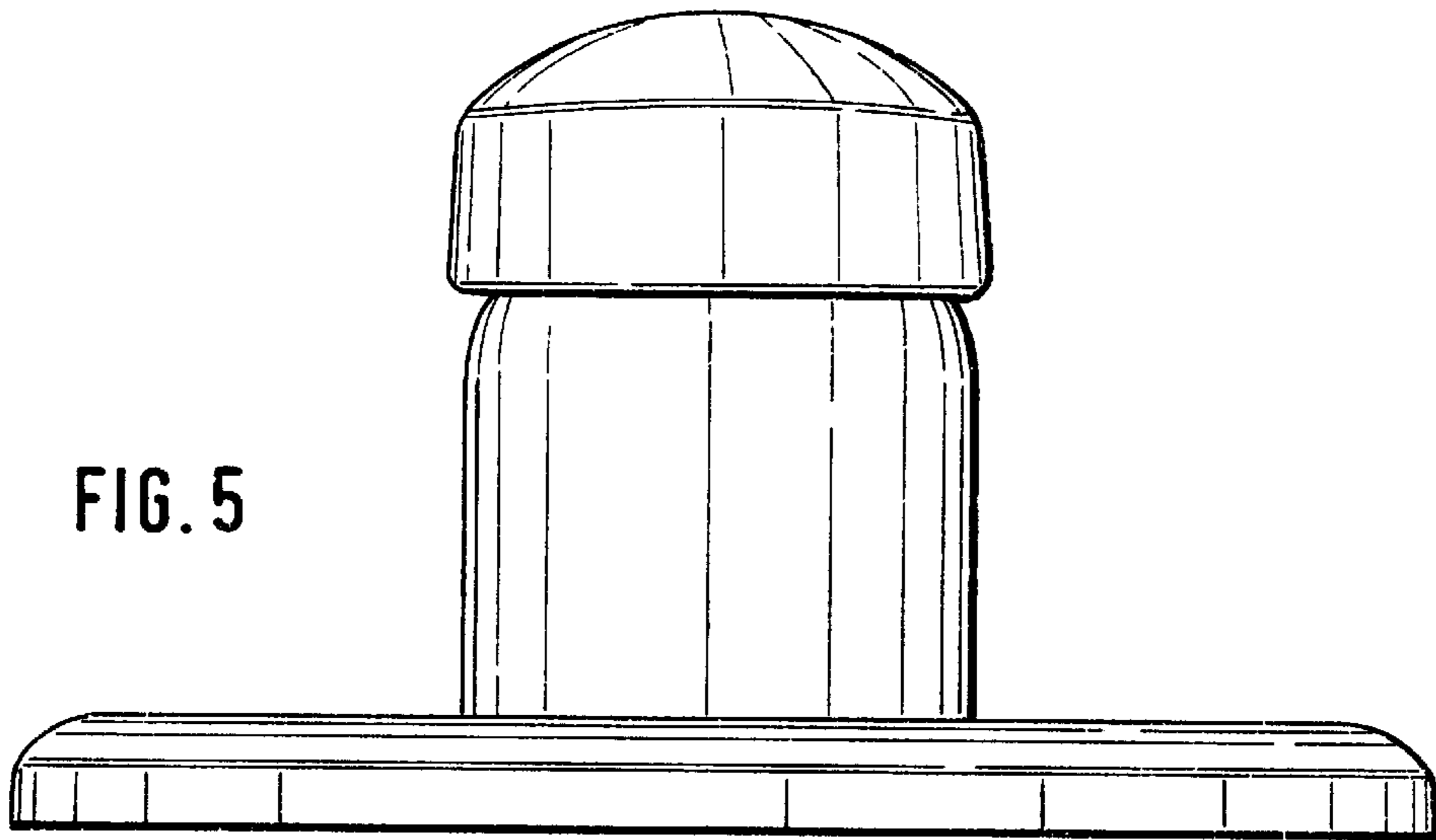


FIG. 6

