



US00D413652S

United States Patent [19] Ko

[11] **Patent Number: Des. 413,652**

[45] **Date of Patent: ** Sep. 7, 1999**

[54] **FAUCET BASE**

[75] **Inventor: Hsi-Chia Ko, Changhua Hsien, Taiwan**

[73] **Assignee: Chung-Cheng Faucet Co., Ltd.,
Chuanghua Hsien, Taiwan**

[**] **Term: 14 Years**

[21] **Appl. No.: 29/081,419**

[22] **Filed: Dec. 4, 1997**

[51] **LOC (6) Cl. 23-01**

[52] **U.S. Cl. D23/242**

[58] **Field of Search D23/238-243,
D23/250-257; 4/675, 678; 137/801**

[56] **References Cited**

U.S. PATENT DOCUMENTS

D. 321,750 11/1991 Spangler D23/241

D. 360,679 7/1995 Doughty et al. D23/241

D. 376,414 12/1996 Doughty et al. D23/241

D. 381,402 7/1997 Doughty et al. D23/241

D. 384,402 9/1997 Doughty et al. D23/241

Primary Examiner—Doris Clark

Assistant Examiner—Eric Watterson

Attorney, Agent, or Firm—Browdy and Browdy

[57] **CLAIM**

The ornamental design for a faucet base, as shown and described.

DESCRIPTION

FIG. 1 is a perspective view of a faucet base showing my new design.

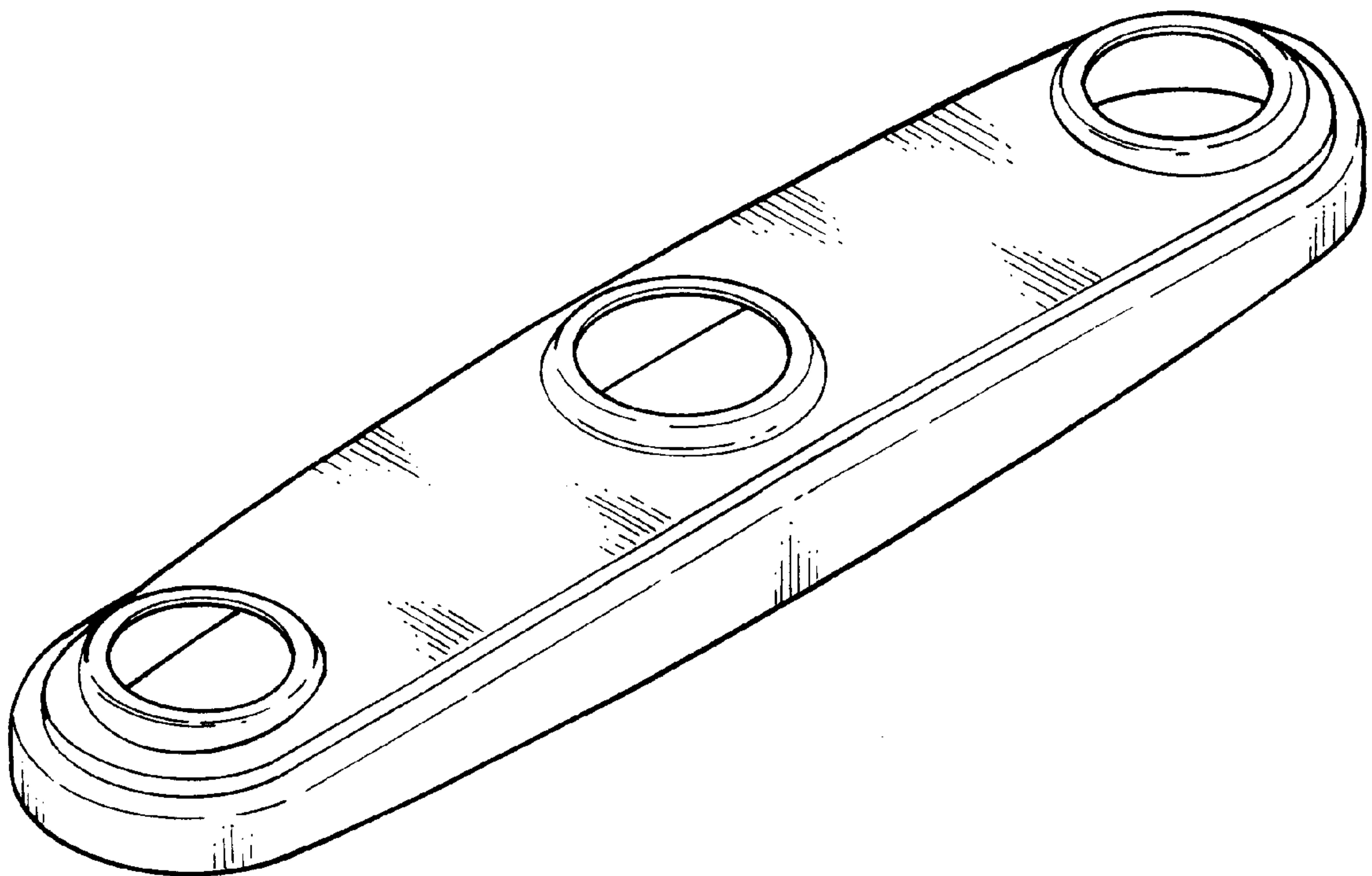
FIG. 2 is a front view thereof, the rear is identical;

FIG. 3 is a left side view thereof, the right side is identical;

FIG. 4 is top view thereof; and,

FIG. 5 is a bottom view thereof.

1 Claim, 2 Drawing Sheets



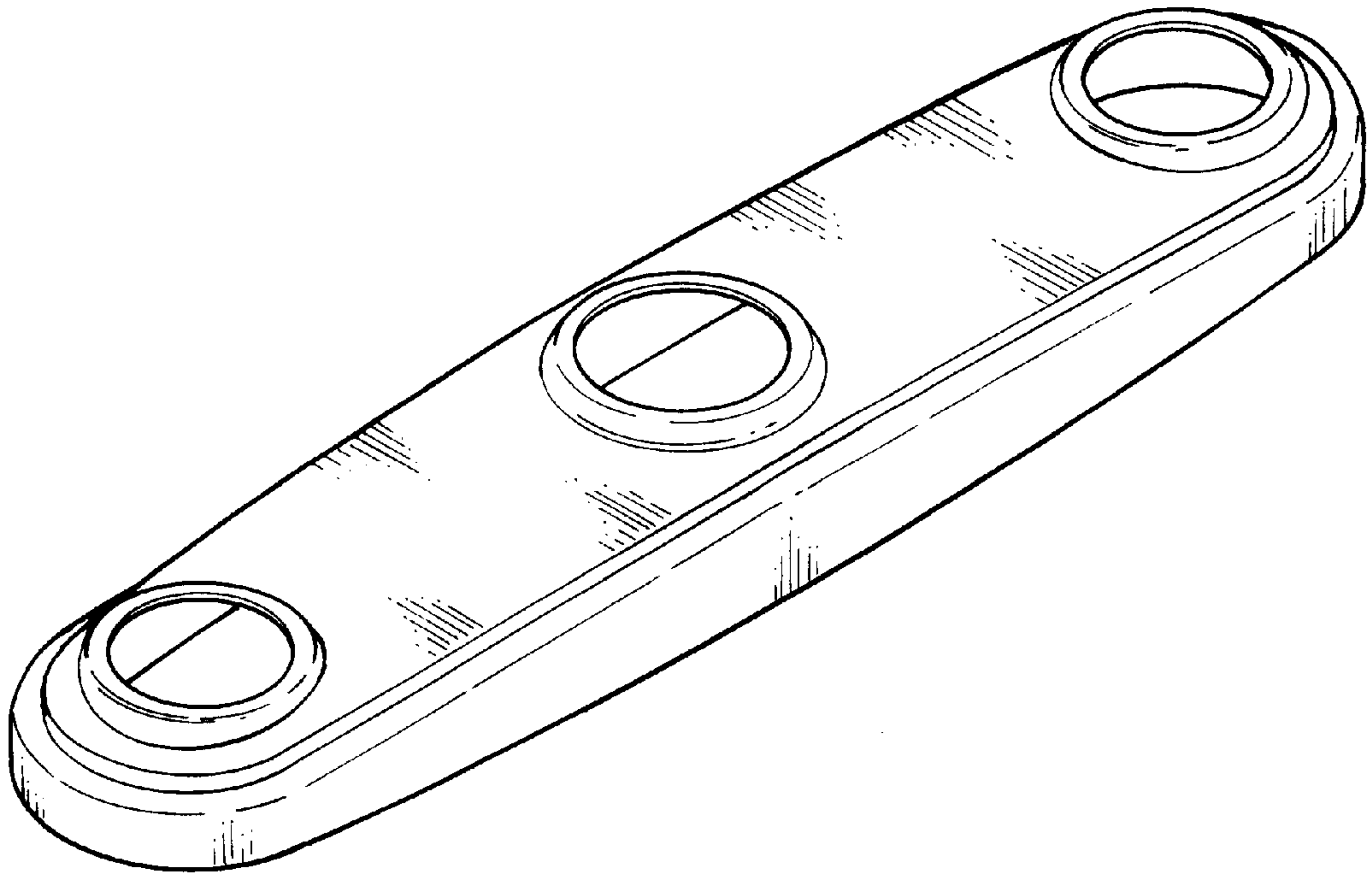


FIG. 1

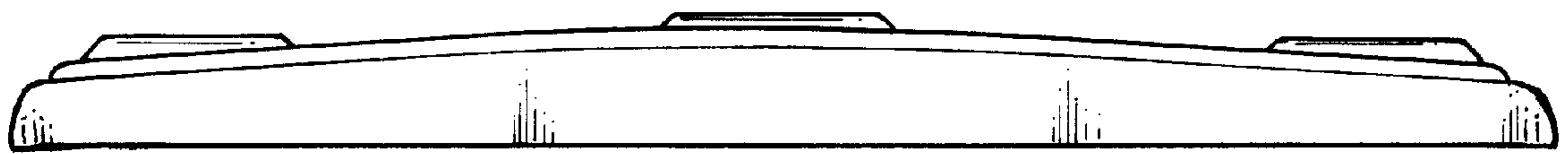


FIG. 2

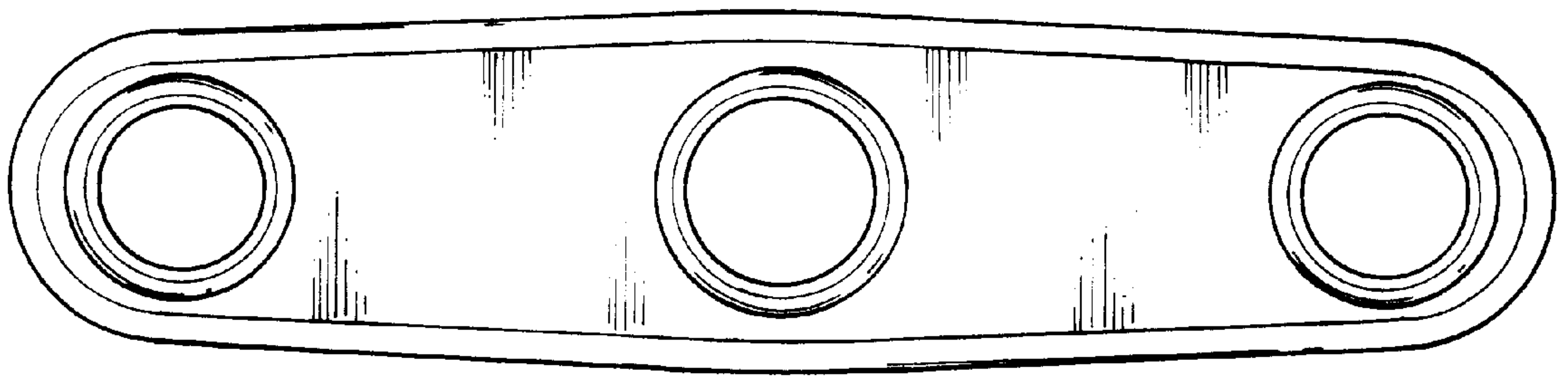


FIG. 4

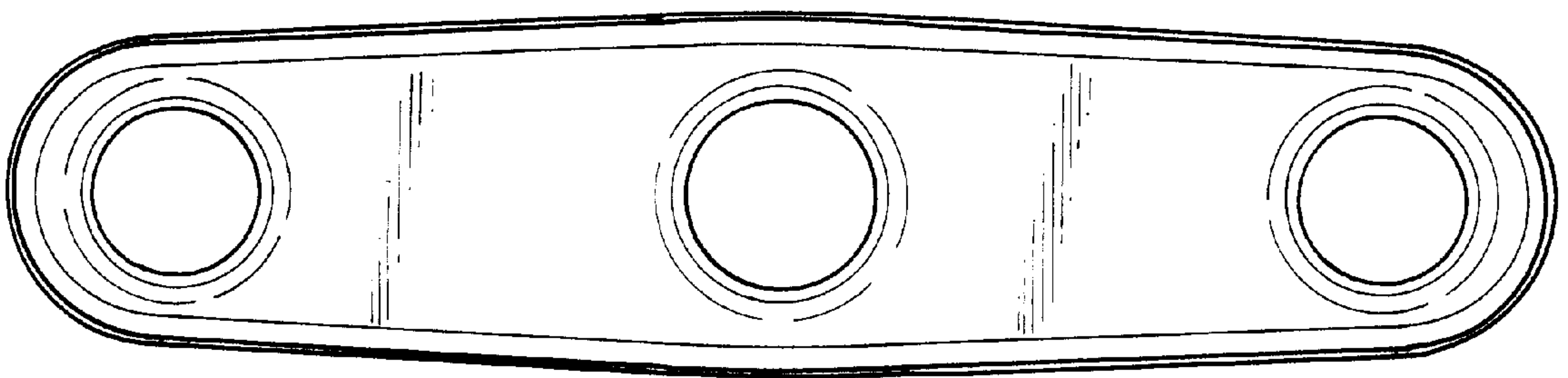


FIG. 5

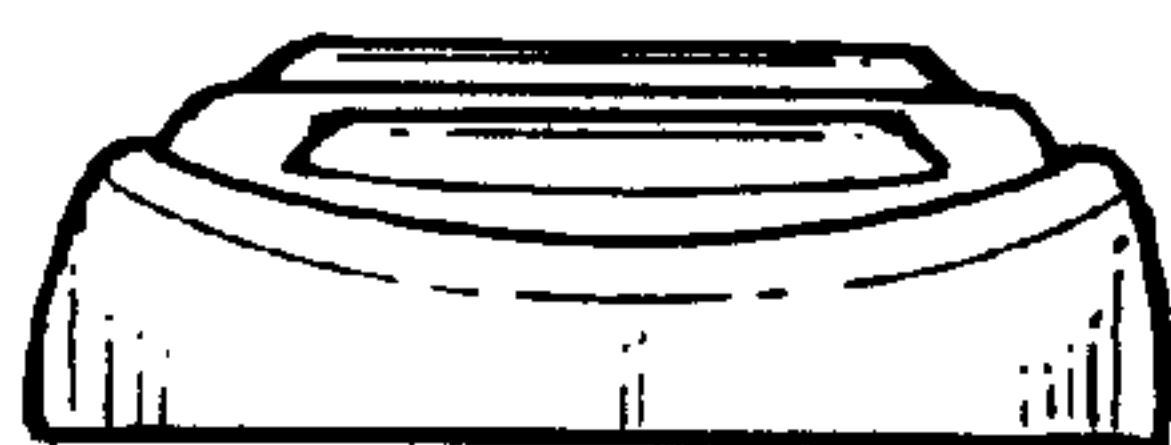


FIG. 3