



US00D413651S

# United States Patent [19] Lord

[11] **Patent Number: Des. 413,651**

[45] **Date of Patent: \*\* \*Sep. 7, 1999**

[54] **FAUCET WITH PULL-OUT SPRAY**

[75] **Inventor: Judd A. Lord, Carmel, Ind.**

[73] **Assignee: Masco Corporation of Indiana, Indianapolis, Ind.**

[\*] **Notice:** This patent is subject to a terminal disclaimer.

[\*\*] **Term: 14 Years**

[21] **Appl. No.: 29/092,675**

[22] **Filed: Aug. 25, 1998**

[51] **LOC (6) Cl. .... 23-01**

[52] **U.S. Cl. .... D23/238**

[58] **Field of Search ..... D23/238-243, D23/250-257, 213; 4/675-678; 137/801**

[56] **References Cited**

**U.S. PATENT DOCUMENTS**

- D. 213,874 4/1969 Landell .
- D. 219,779 1/1971 Tiller .
- D. 290,492 6/1987 Hill et al. .
- D. 290,992 7/1987 Hill et al. .
- D. 291,117 7/1987 Ryan .
- D. 293,601 1/1988 Hill et al. .
- D. 323,877 2/1992 Haug et al. .
- D. 331,796 12/1992 Spangler .
- D. 352,766 11/1994 Hill et al. .
- D. 360,931 8/1995 Mark et al. .
- D. 364,211 11/1995 Hill et al. .

- D. 367,697 3/1996 Haug et al. .
- D. 368,764 4/1996 Hill et al. .
- D. 388,156 12/1997 Hill et al. .

**OTHER PUBLICATIONS**

Delta Full Line Catalog, pp. 4, 5, 1994.  
Delta Catalog, "The Way Water is Brought to Life", 2 pages, 1991.

*Primary Examiner*—Louis S. Zarfes  
*Assistant Examiner*—Eric Watterson  
*Attorney, Agent, or Firm*—Myron B. Kapustij; Leon E. Redman

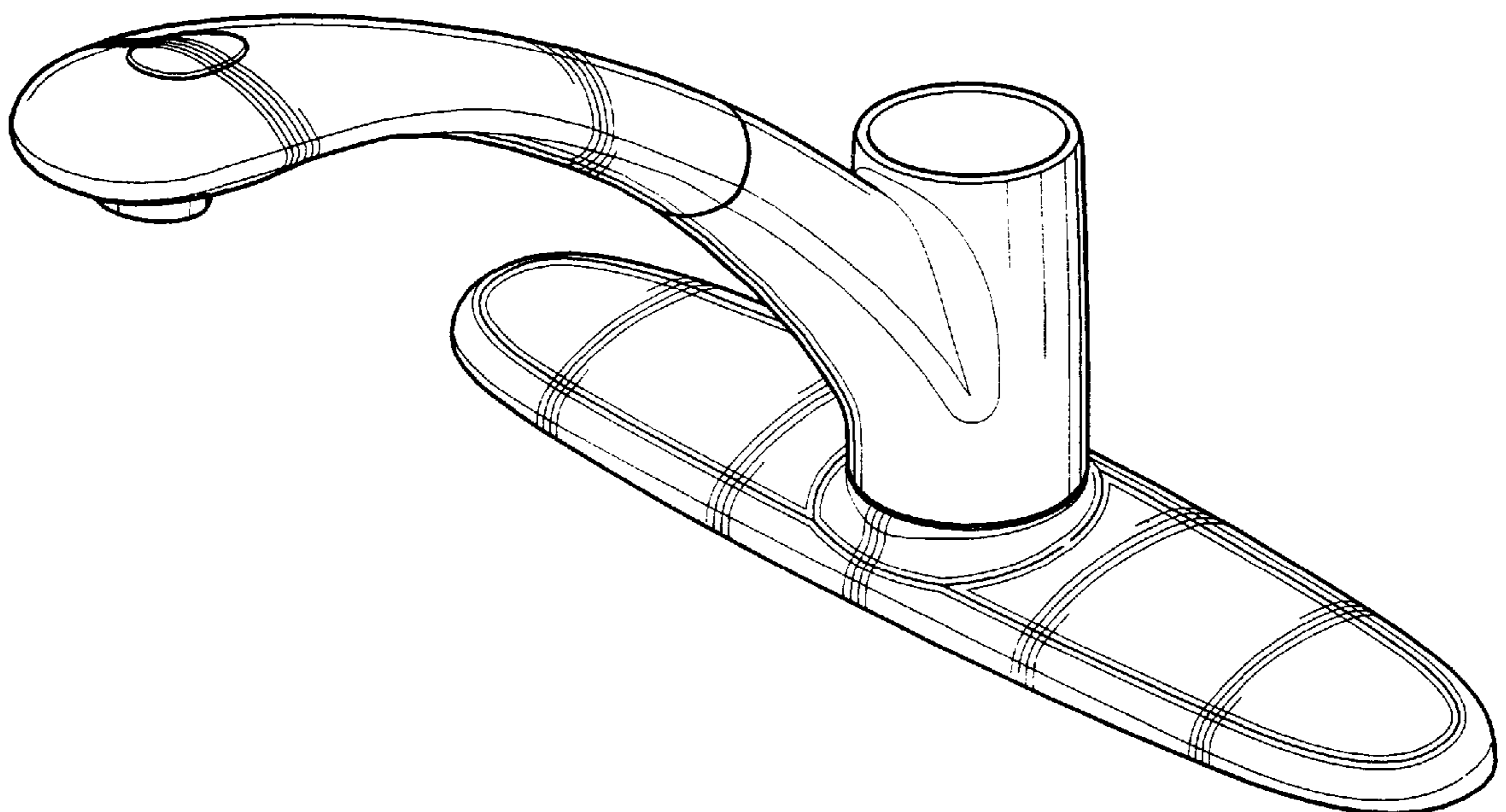
[57] **CLAIM**

The ornamental design for a faucet with pull-out spray, as shown and described.

**DESCRIPTION**

FIG. 1 is a top, front perspective view of a faucet with pull-out spray showing my new design;  
FIG. 2 is a top, rear perspective view thereof;  
FIG. 3 is a top plan view thereof;  
FIG. 4 is a right side elevational view, the left side being a mirror image thereof;  
FIG. 5 is a rear elevational view thereof;  
FIG. 6 is a front elevational view thereof; and,  
FIG. 7 is a bottom plan view thereof.  
The broken line showing of the waterway in FIG. 7 is for purposes of illustration only and forms no part of the claimed design.

**1 Claim, 4 Drawing Sheets**



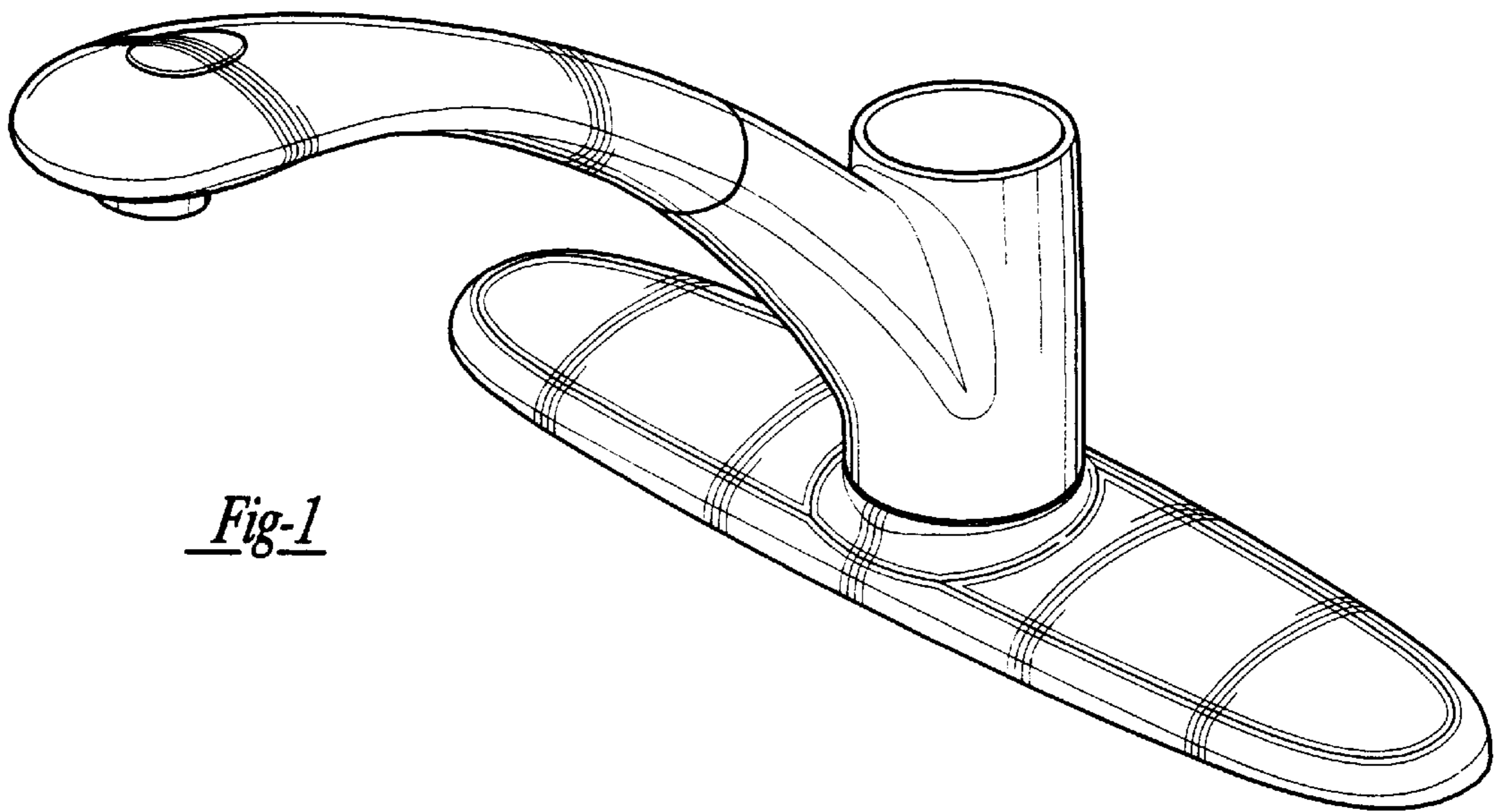


Fig-1

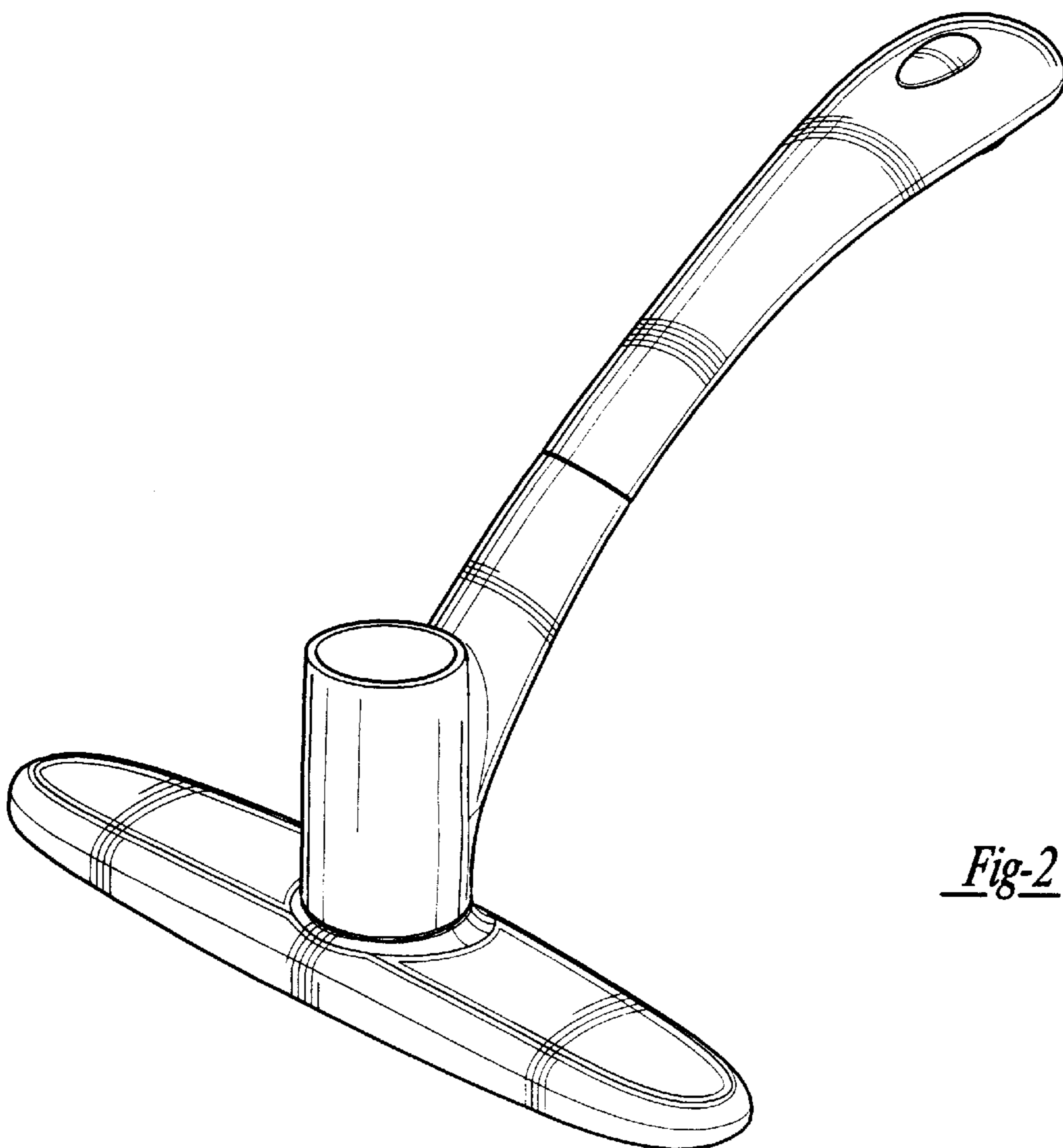


Fig-2

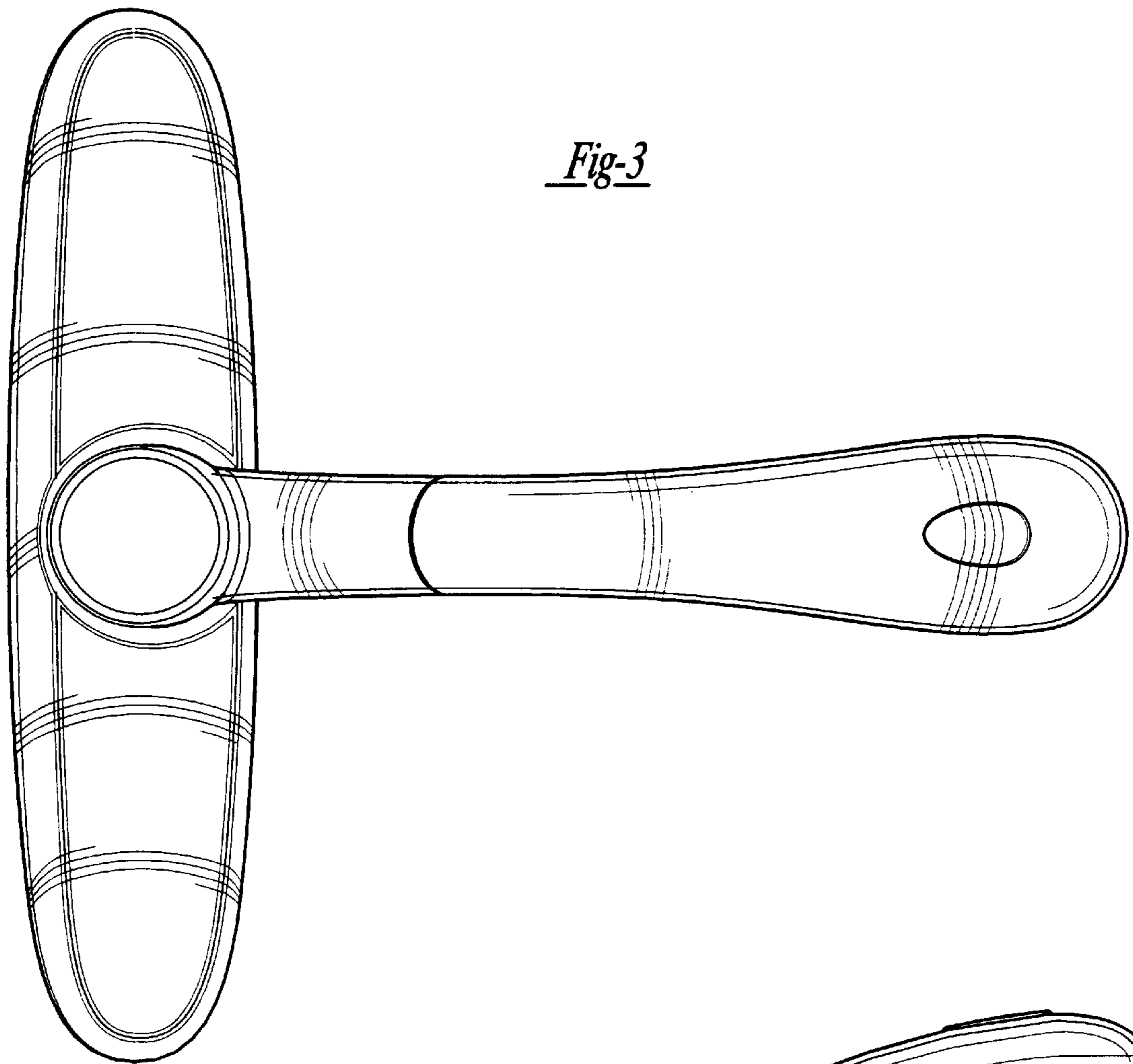


Fig-3

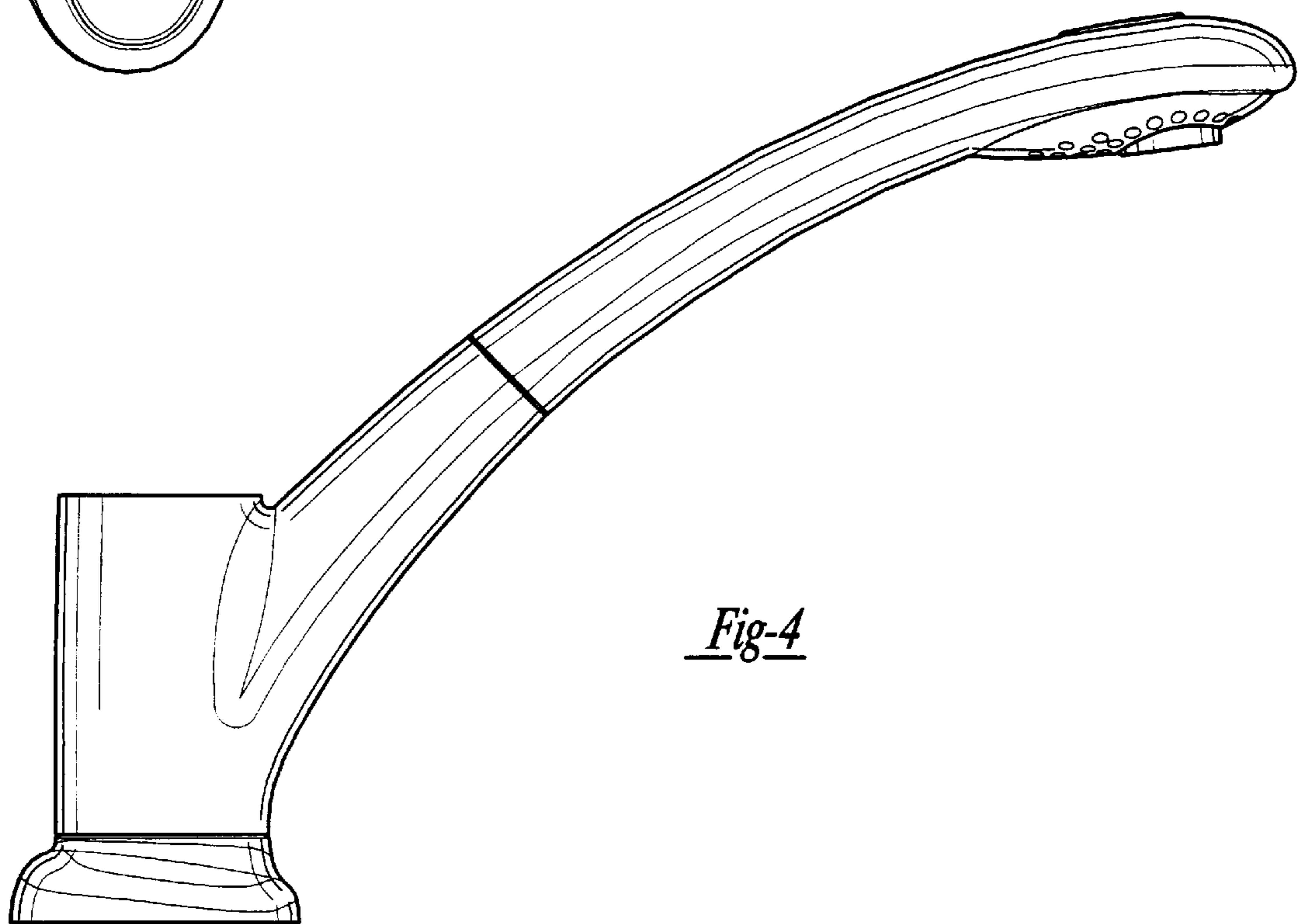


Fig-4

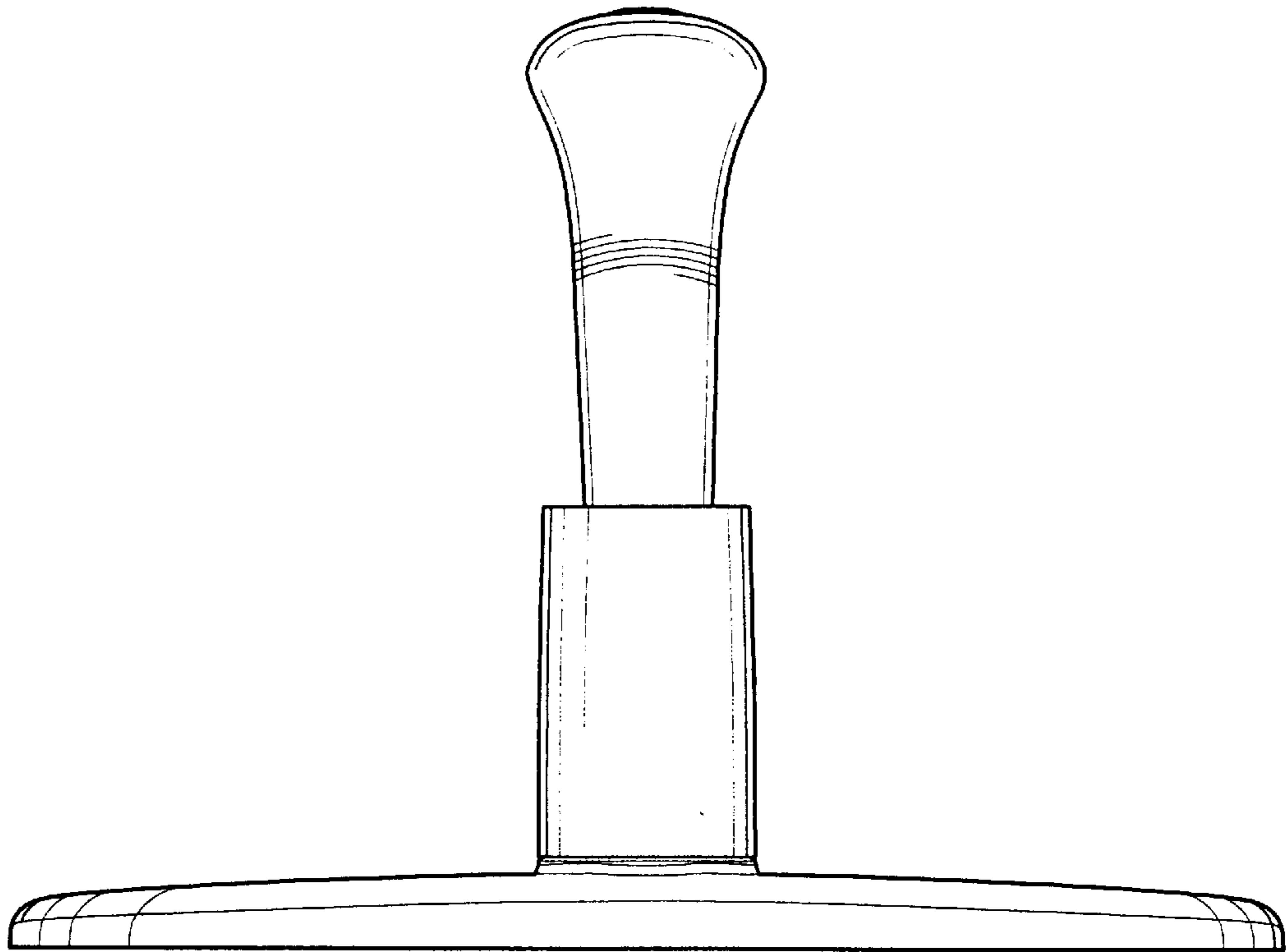


Fig-5

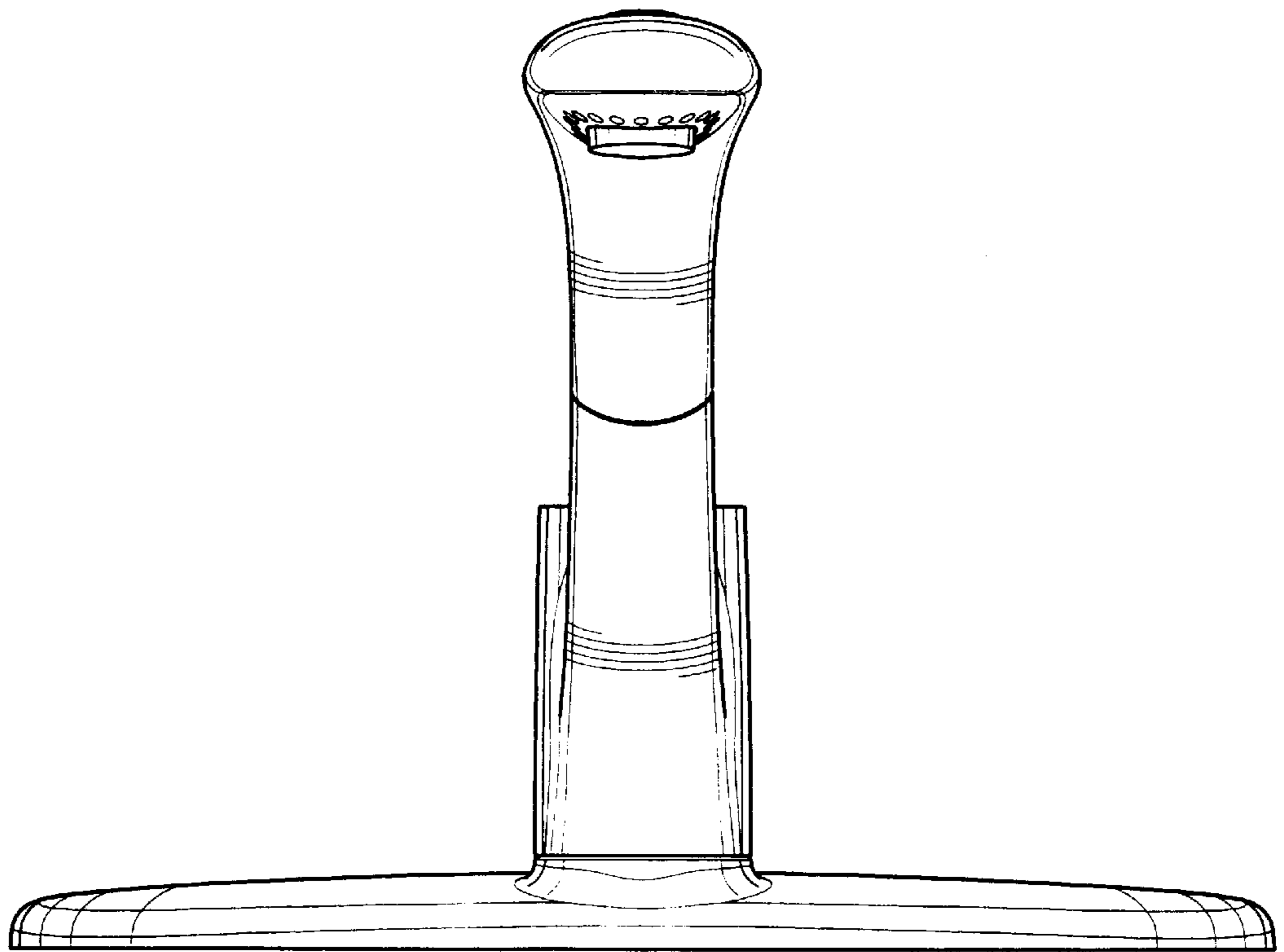


Fig-6

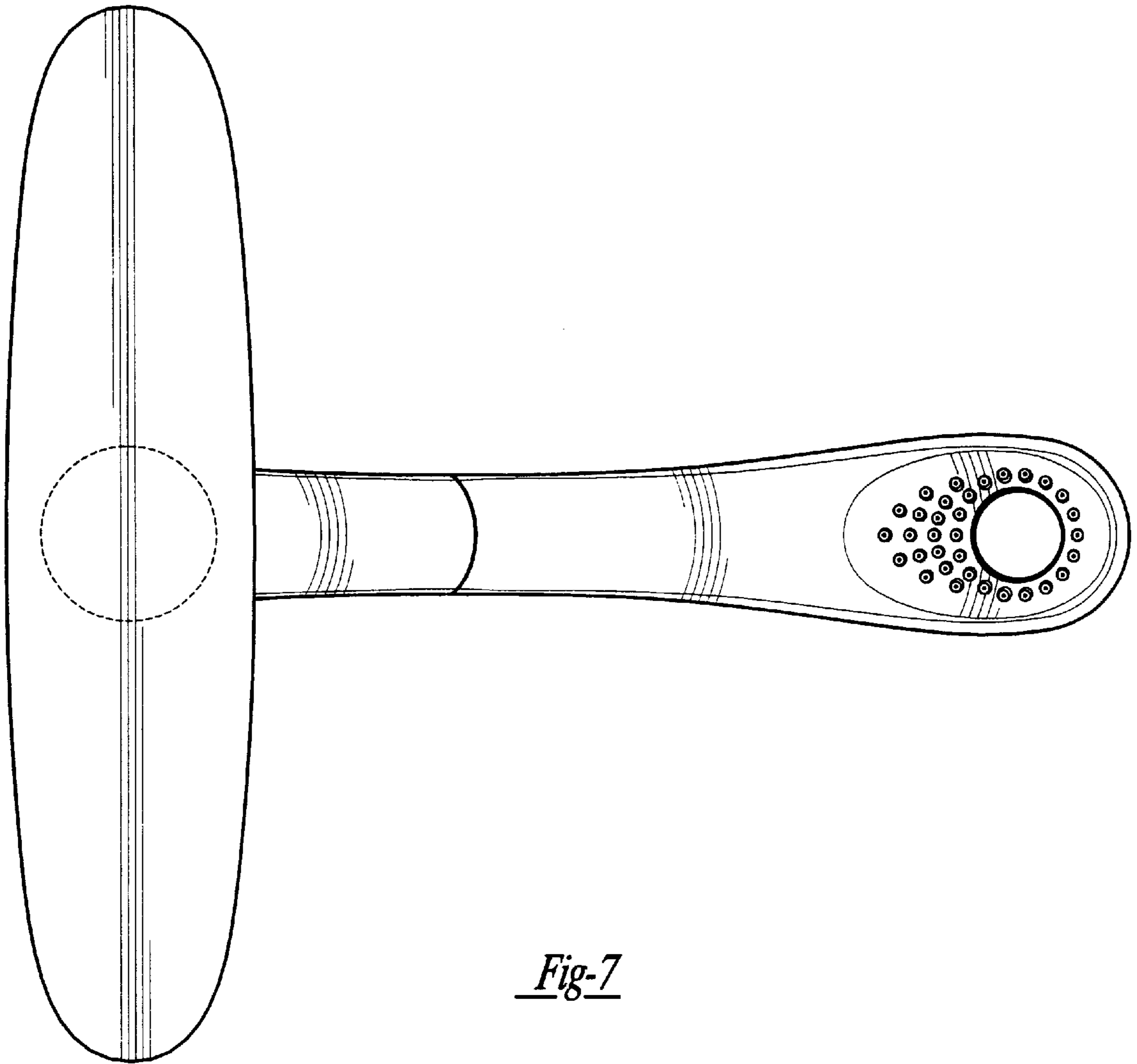


Fig-7