



US00D413649S

**United States Patent** [19]  
**King**

[11] **Patent Number: Des. 413,649**

[45] **Date of Patent: \*\* Sep. 7, 1999**

[54] **POOL CLEANER**

5,269,913 12/1993 Atkins ..... 210/169  
5,498,333 3/1996 Canther ..... 210/198.1

[76] Inventor: **Joseph A. King**, 142 Chevy Chase Dr.,  
Wayzata, Minn. 55391

*Primary Examiner*—Robin V. Taylor  
*Attorney, Agent, or Firm*—Jacobson & Johnson

[\*\*] Term: **14 Years**

[57] **CLAIM**

[21] Appl. No.: **29/093,291**

The ornamental design for a pool cleaner, as shown.

[22] Filed: **Sep. 8, 1998**

**DESCRIPTION**

[51] **LOC (6) Cl.** ..... **23-01**

FIG. 1 is a perspective view of a pool cleaner, showing my new design;

[52] **U.S. Cl.** ..... **D23/209; D23/207; D23/210**

FIG. 2 is a right side view;

[58] **Field of Search** ..... **D23/200, 207,**  
**D23/208, 209; 210/416.2, 167, 169, 198.1**

FIG. 3 is a left side view;

FIG. 4 is a front view;

FIG. 5 is a back view;

FIG. 6 is a top view; and,

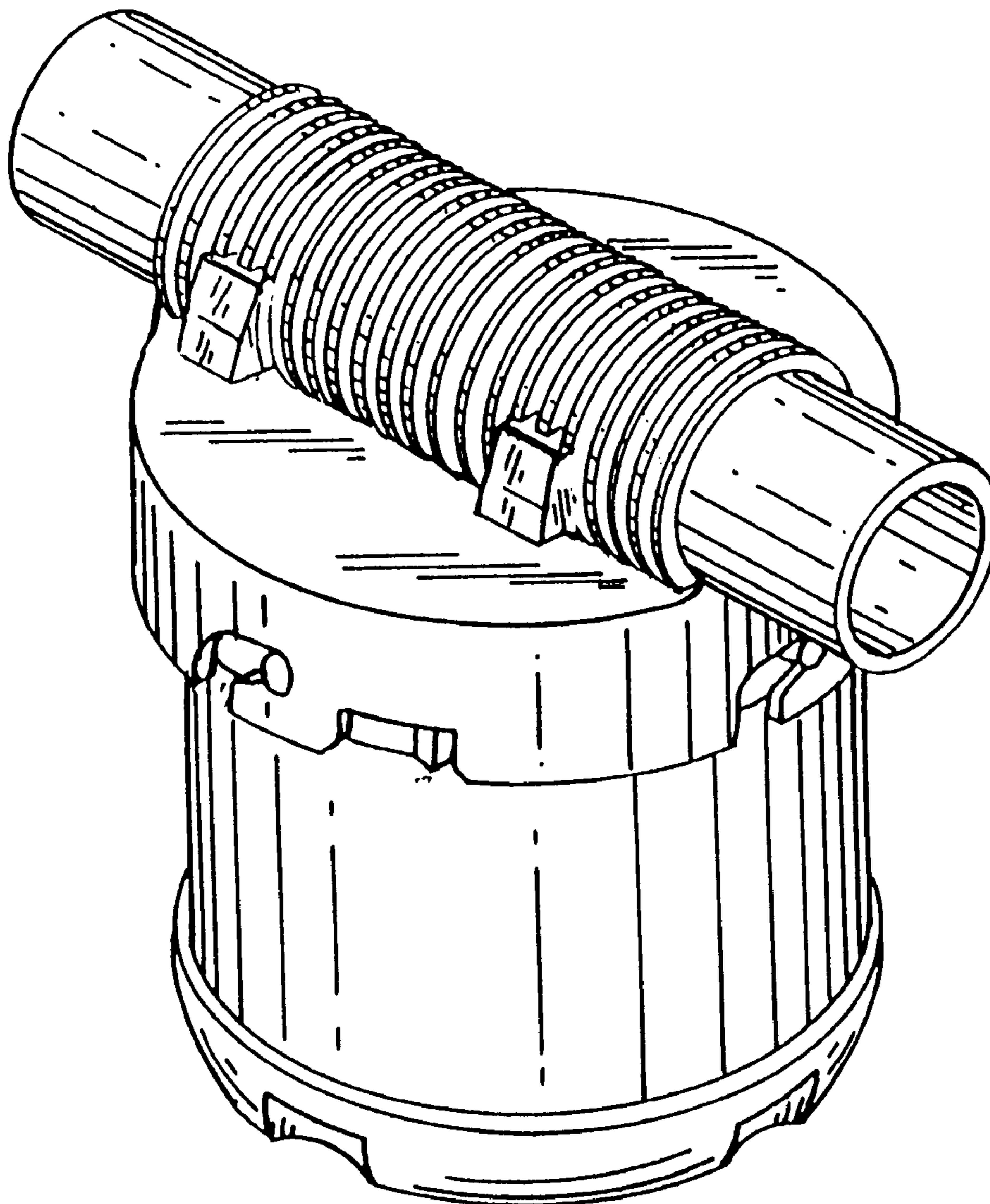
FIG. 7 is a bottom view.

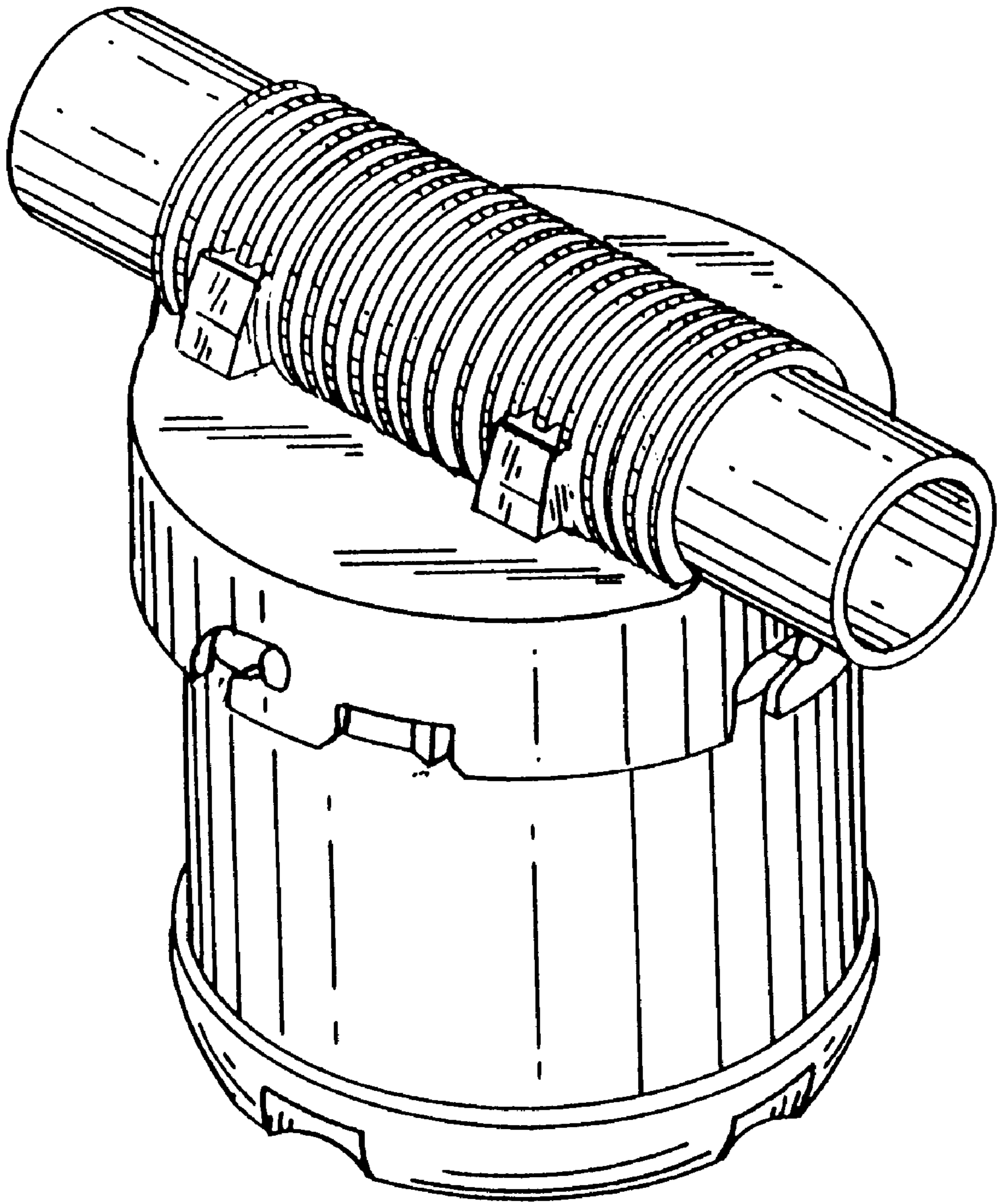
[56] **References Cited**

**U.S. PATENT DOCUMENTS**

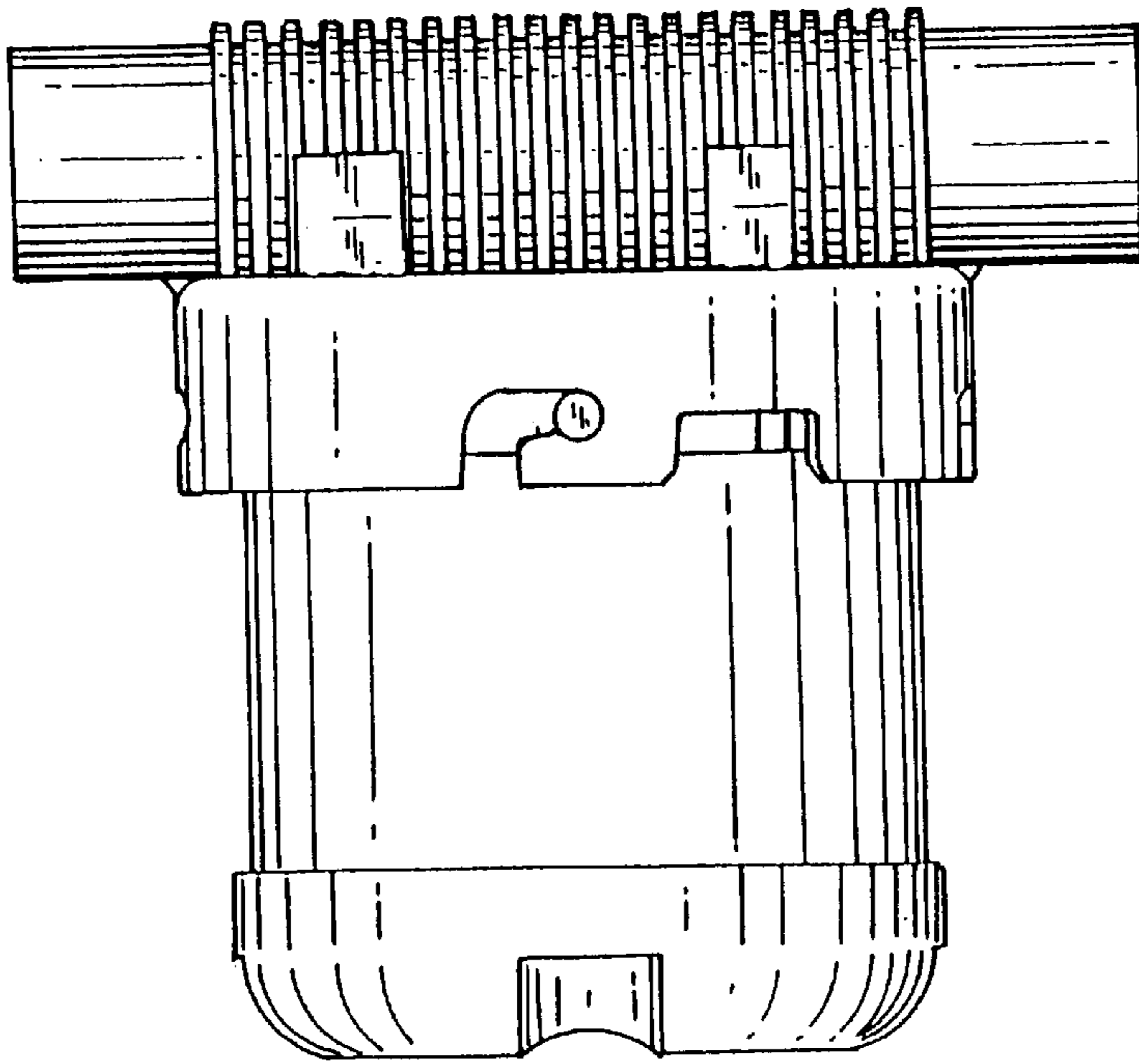
D. 349,150 7/1994 Ruiz ..... D23/209  
4,691,732 9/1987 Johnson et al. .... 210/198.1

**1 Claim, 4 Drawing Sheets**

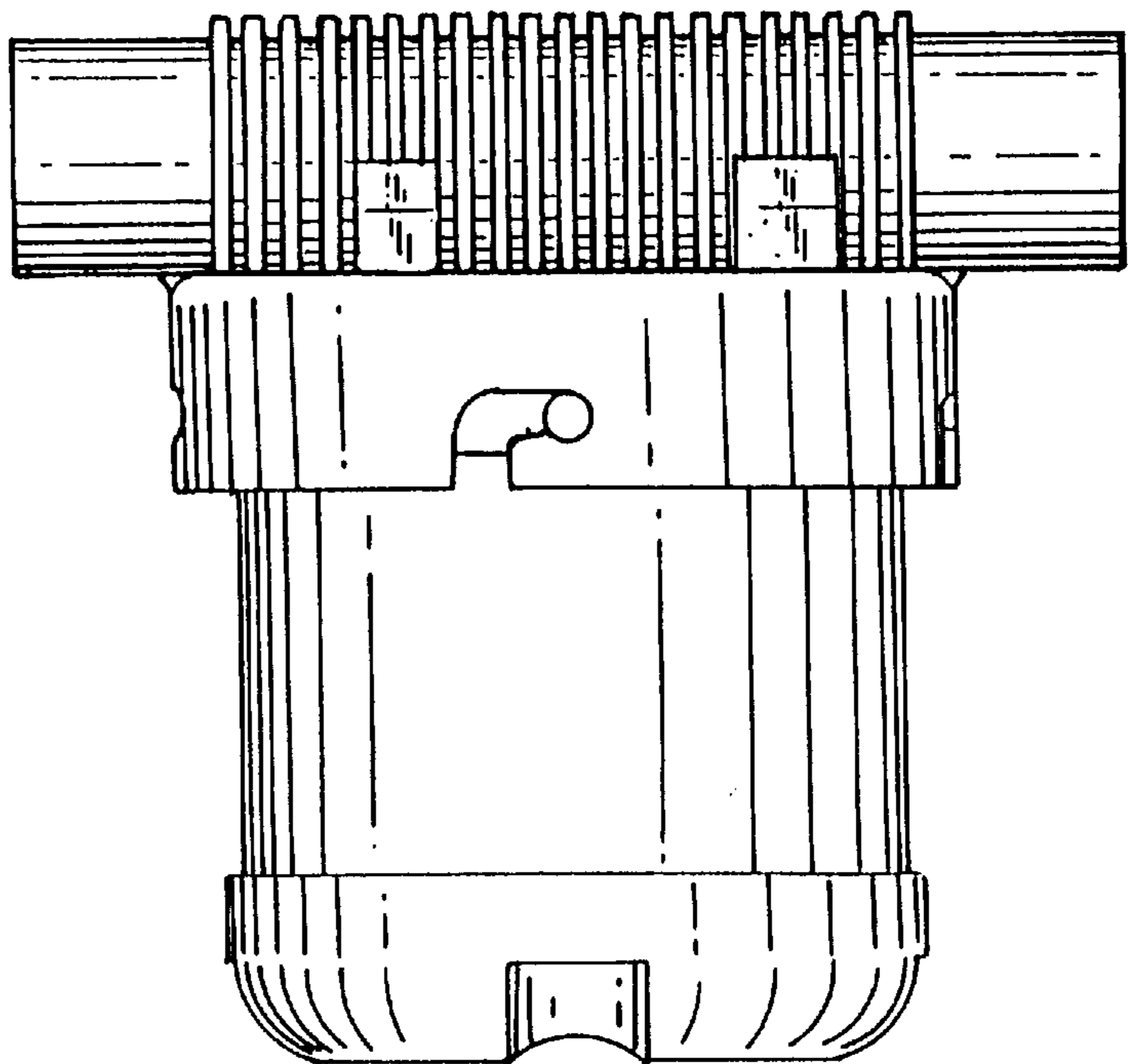




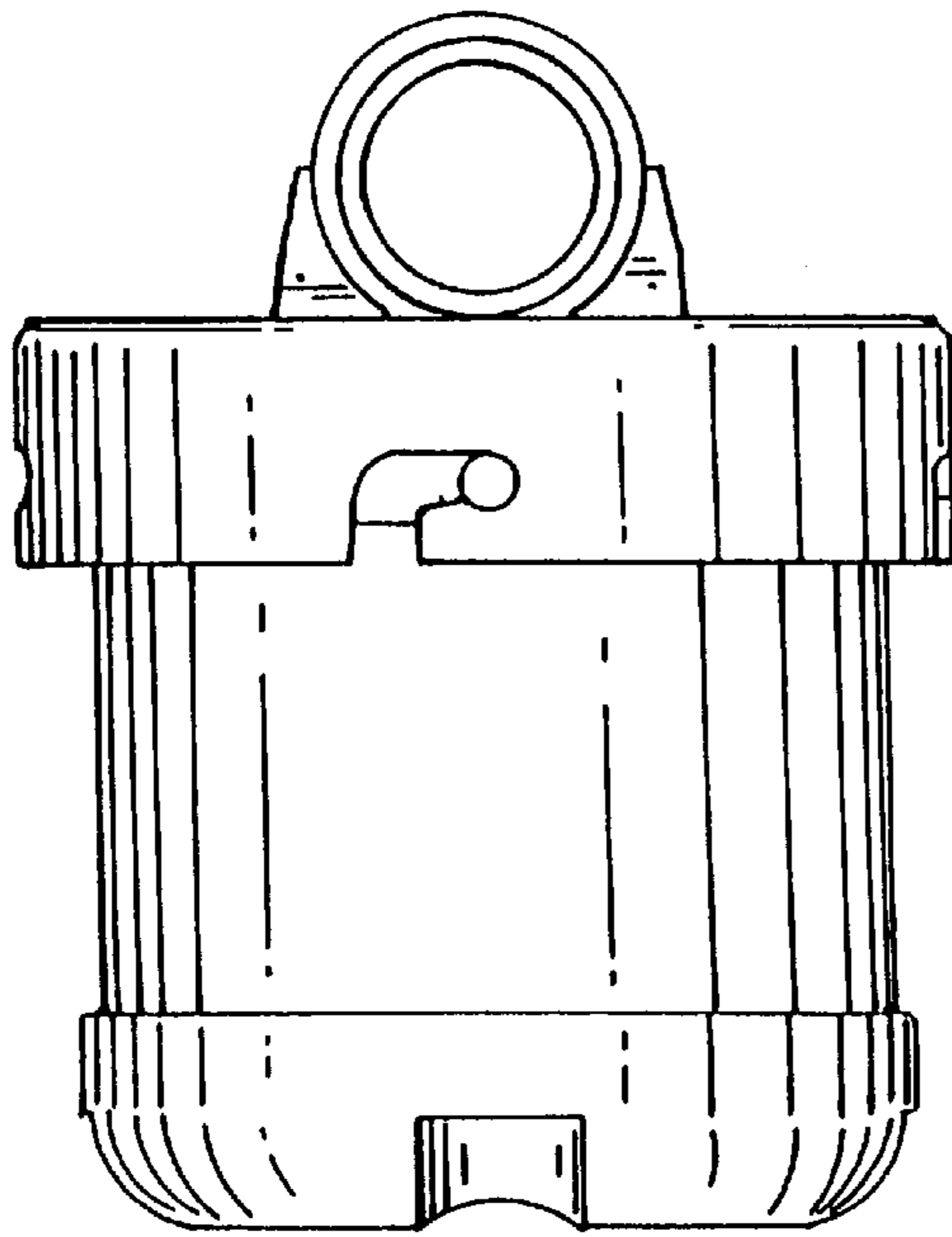
*Fig. 1*



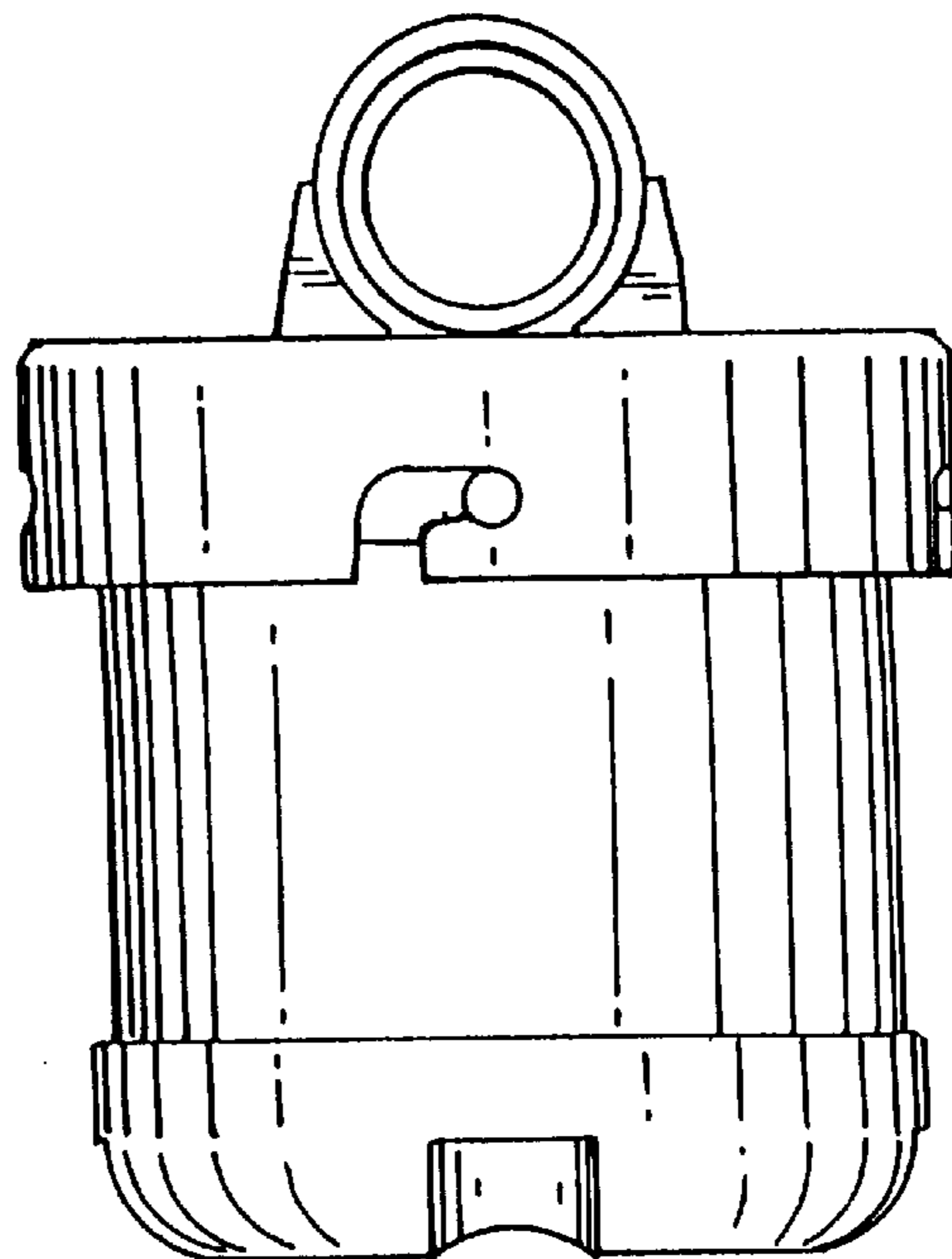
*Fig. 2*



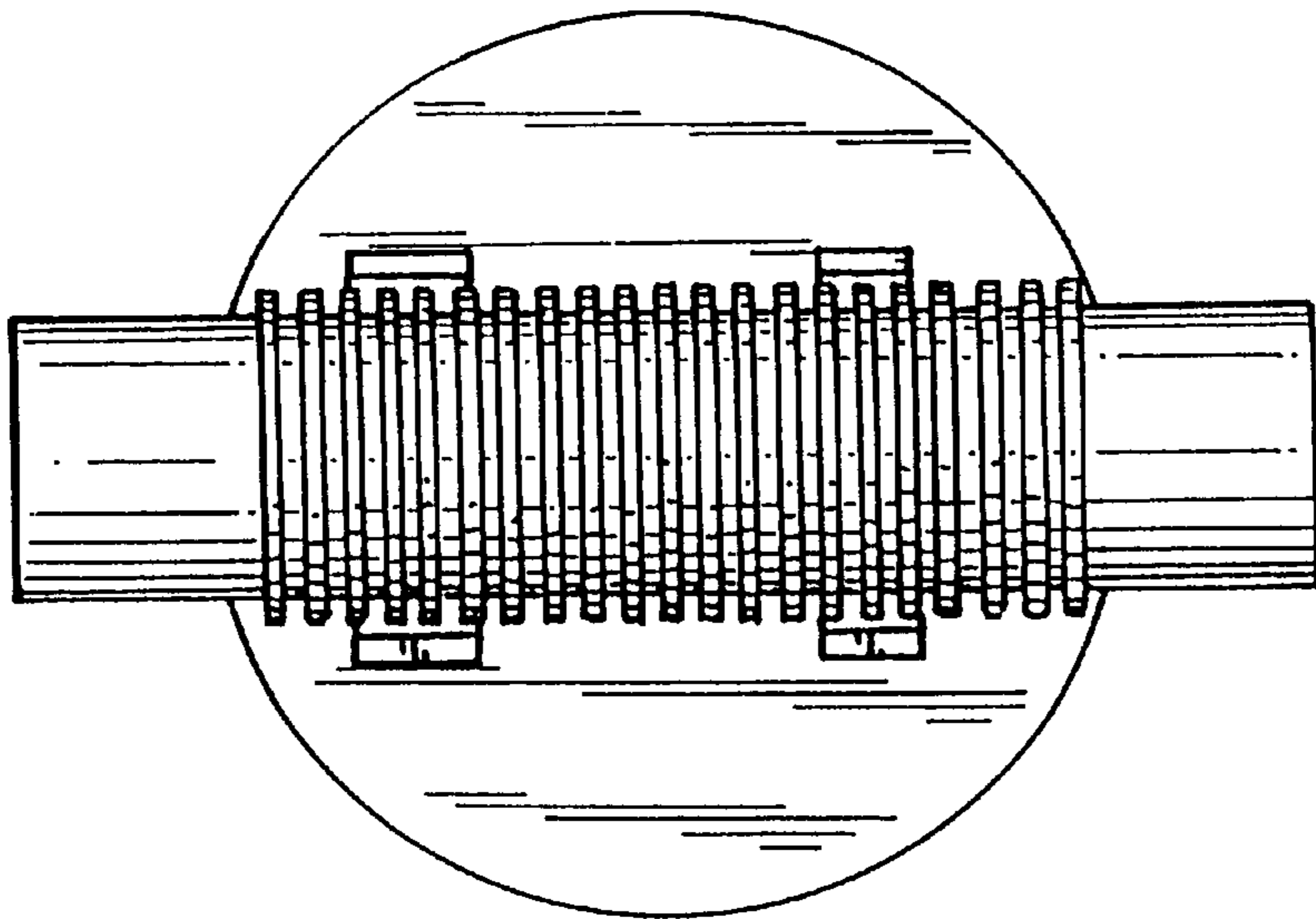
*Fig. 3*



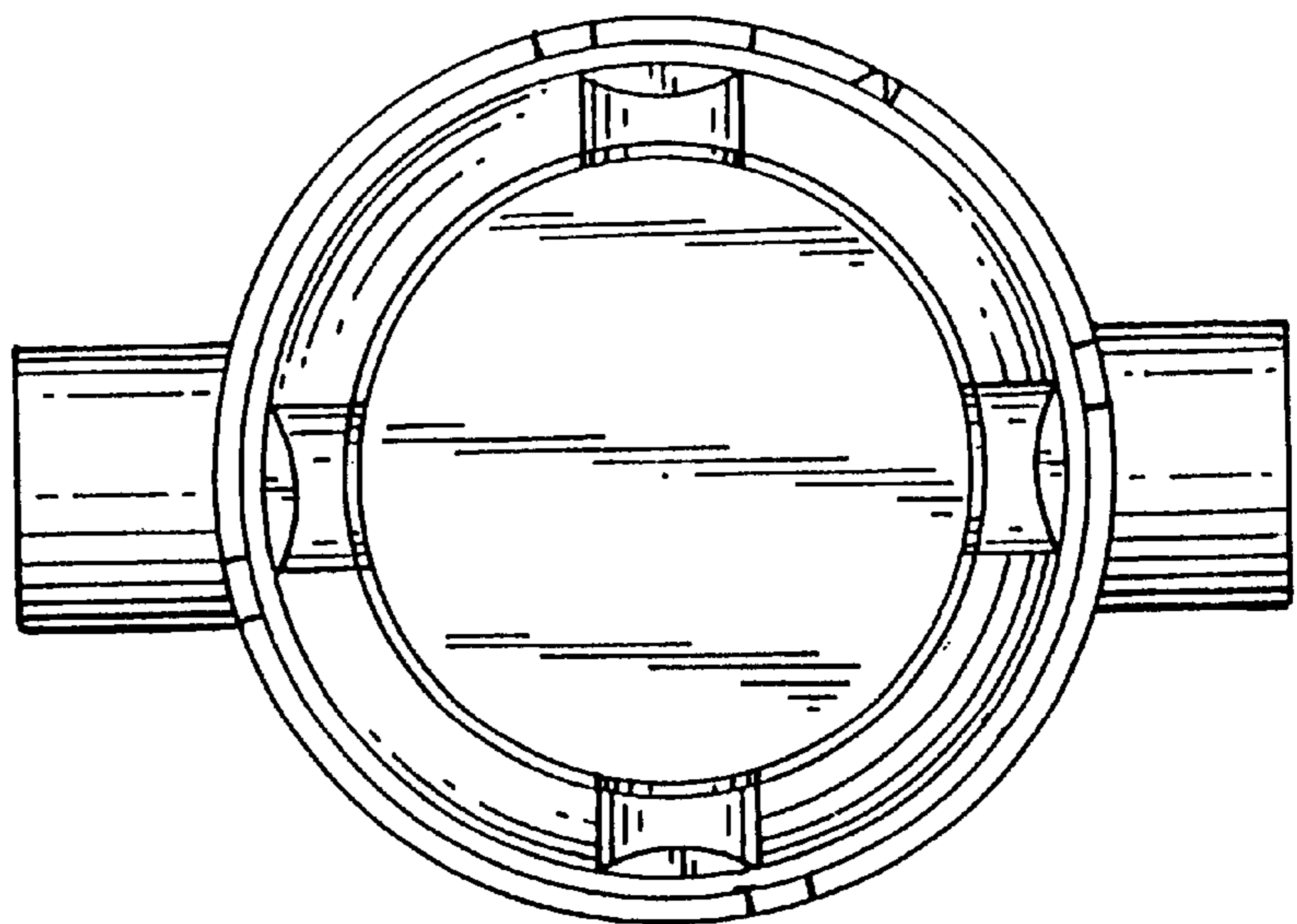
*Fig. 4*



*Fig. 5*



*Fig. 6*



*Fig. 7*