



US00D413648S

# United States Patent [19]

Simpson et al.

[11] Patent Number: **Des. 413,648**

[45] Date of Patent: **\*\* Sep. 7, 1999**

[54] **ROTATABLE, DUAL-ARM FISHING POLE HOLDER**

[76] Inventors: **Rebecca S. Simpson**, P.O. Box 1192;  
**Ilene M. Voss**, 15066 Laurel La., both  
of Lake Elsinore, Calif. 92530

[\*\*] Term: **14 Years**

[21] Appl. No.: **29/089,724**

[22] Filed: **Jun. 22, 1998**

[51] **LOC (6) Cl.** ..... **22-05**

[52] **U.S. Cl.** ..... **D22/147**

[58] **Field of Search** ..... D22/134, 137,  
D22/138, 139, 142, 147, 148, 199; 43/1,  
4, 18.1, 21.2, 54.1; 248/511, 512, 514,  
519, 520, 521, 538; 224/922; D23/266,  
262, 263; 285/131.1, 132.1, 130.1; 211/70.8

[56] **References Cited**

**U.S. PATENT DOCUMENTS**

D. 221,278 7/1971 Wright ..... D22/134

D. 371,595 7/1996 Pieper et al. .... D22/147  
D. 393,690 4/1998 Lovelady et al. .... D22/147  
2,166,078 7/1939 Stephenson ..... 285/132.1  
3,154,063 10/1964 White ..... D22/139

**OTHER PUBLICATIONS**

Lee Brothers Corporation, No. 64, DWV 45 Double Y's  
20-845, p. 36, D23/40, Aug. 1964.

*Primary Examiner*—Louis S. Zarfaz  
*Assistant Examiner*—Inga-Maria Hyttinen  
*Attorney, Agent, or Firm*—Willie Krawitz

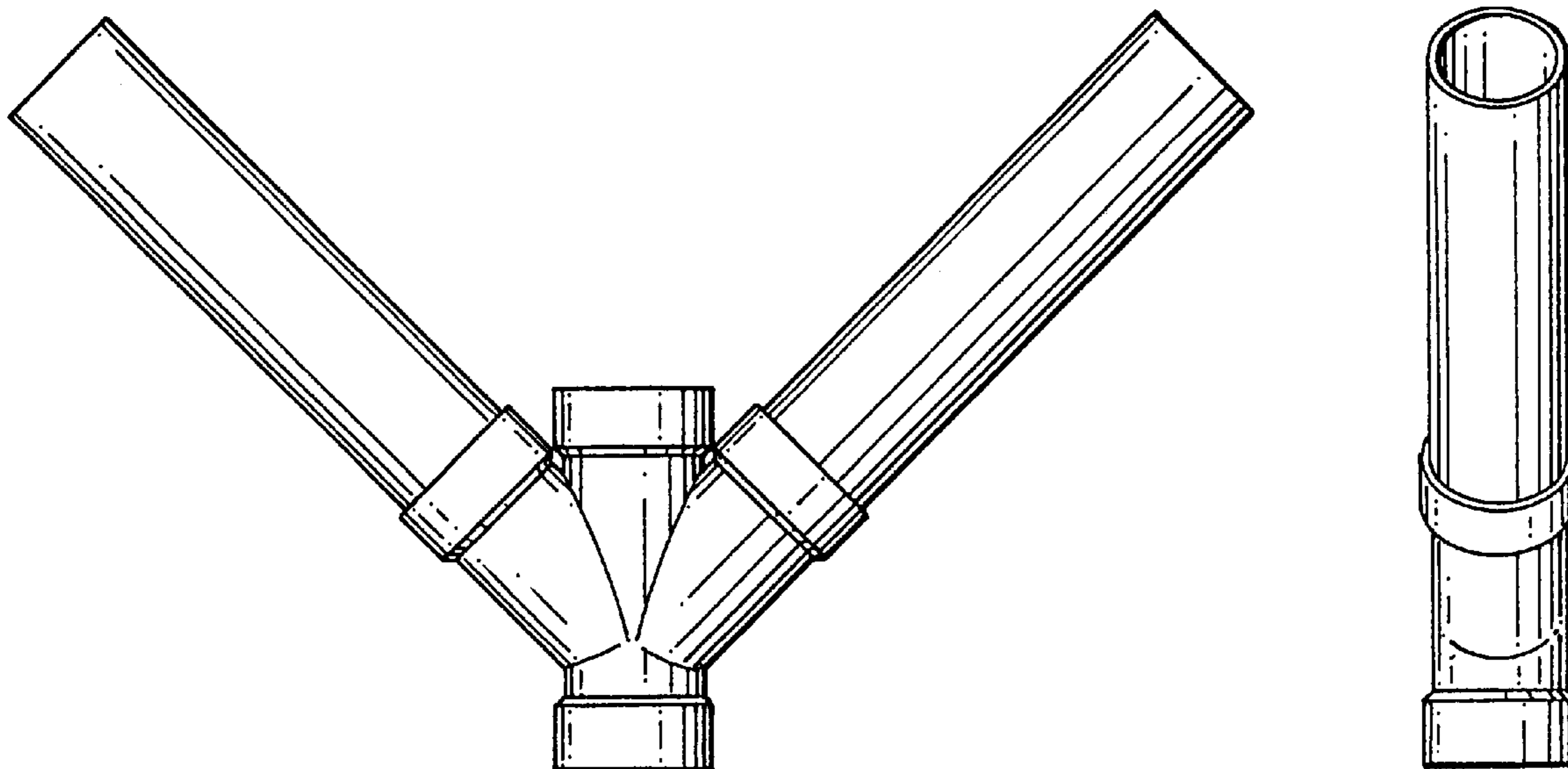
[57] **CLAIM**

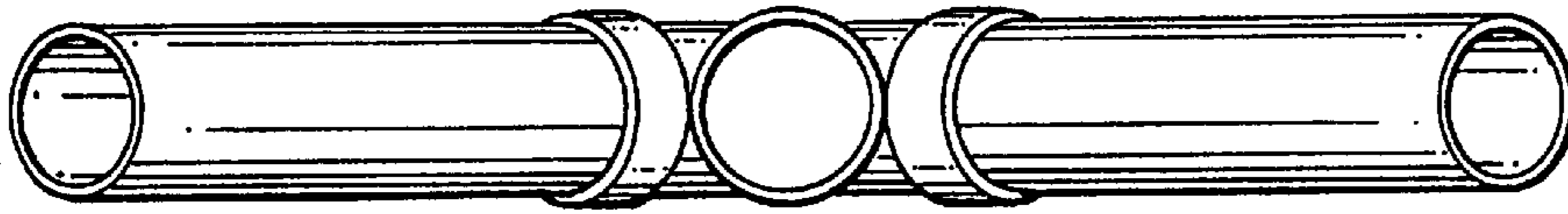
The ornamental design for a rotatable, dual-arm fishing pole holder, as shown and described.

**DESCRIPTION**

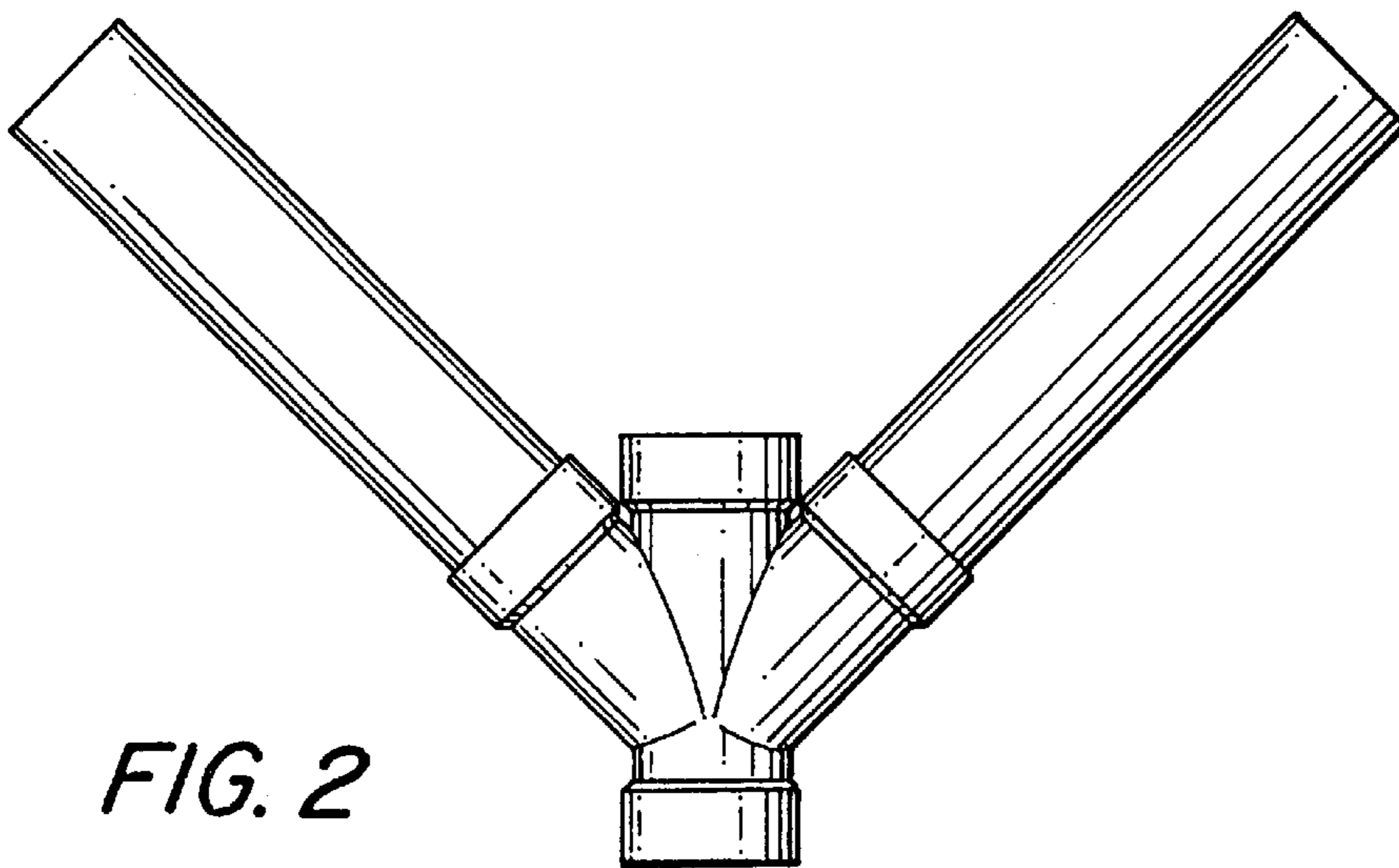
FIG. 1 is a top plan view thereof;  
FIG. 2 is a side elevation view thereof;  
FIG. 3 is an end elevation view thereof; and,  
FIG. 4 is a bottom view thereof.

**1 Claim, 1 Drawing Sheet**

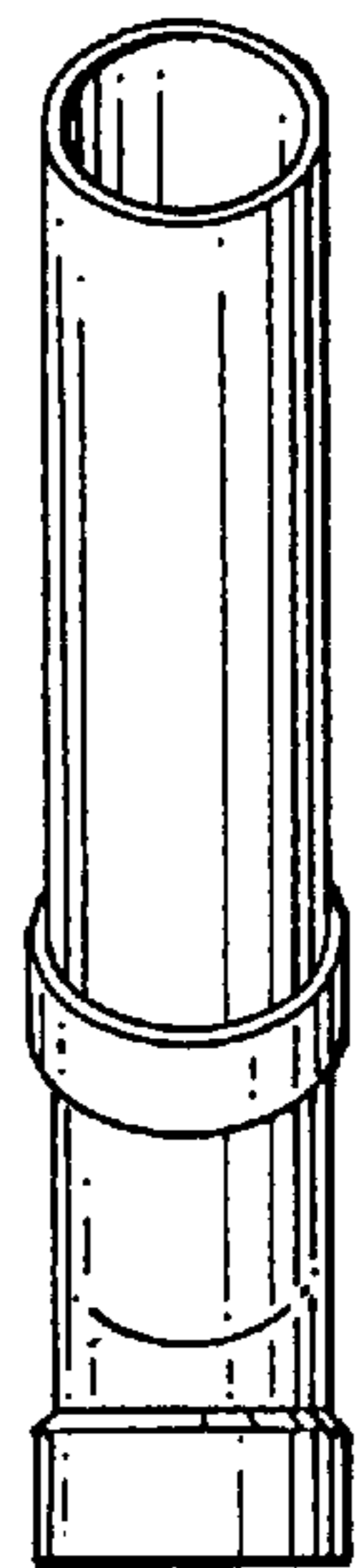




*FIG. 1*



*FIG. 2*



*FIG. 3*



*FIG. 4*