



US00D413645S

United States Patent [19] Sheehan

[11] **Patent Number: Des. 413,645**

[45] **Date of Patent: ** Sep. 7, 1999**

[54] **GUN SIGHT**

[76] Inventor: **Timothy J. Sheehan**, P.O. Box 20489,
Sedona, Ariz. 86341

[**] Term: **14 Years**

[21] Appl. No.: **29/066,418**

[22] Filed: **Feb. 14, 1997**

[51] **LOC (6) Cl. 22-01**

[52] **U.S. Cl. D22/109; D16/132**

[58] **Field of Search D16/132, 133,
D16/134; 359/399, 420, 421, 422, 815,
823, 826, 827, 703, 694, 696, 688, 802,
803, 808; D22/100, 101, 108, 109; 33/233,
245, 247, 252**

[56] **References Cited**

U.S. PATENT DOCUMENTS

846,217	3/1907	King, Jr. .	
1,425,321	8/1922	Etherington .	
2,488,836	11/1949	Sweetman .	
2,645,017	7/1953	Hasse .	
3,121,134	2/1964	Heinzel	359/422
3,172,941	3/1965	Norman	359/399
3,386,330	6/1968	Burris et al.	359/422 X
3,456,351	7/1969	Gehmann	D16/134 X
3,492,733	2/1970	Leatherwood	359/422 X
3,782,822	1/1974	Spence	359/422 X
4,497,548	2/1985	Burris	359/422
4,745,698	5/1988	Schwulst .	
5,181,323	1/1993	Cooper	359/422 X
5,521,757	5/1996	Olson	359/399 X

FOREIGN PATENT DOCUMENTS

11838 8/1916 United Kingdom .

Primary Examiner—Paula A. Mortimer
Attorney, Agent, or Firm—Eric J. Sheets

[57] **CLAIM**

The ornamental design for a gun sight, as shown and described.

DESCRIPTION

FIG. 1 is a rear perspective view of a gun sight showing my new design;

FIG. 2 is a front perspective view of FIG. 1;

FIG. 3 is a top plan view of FIG. 1;

FIG. 4 is a front elevational view of FIG. 1;

FIG. 5 is a side elevational view of FIG. 1, the opposite side is a mirror image;

FIG. 6 is a rear perspective view of FIG. 1;

FIG. 7 is a bottom plan view of FIG. 1;

FIG. 8 is a rear perspective view thereof, the broken line showing of the firearm is for illustrative purposes only and forms no part of the claimed design;

FIG. 9 is a rear perspective view of a second embodiment of a gun sight showing my new design;

FIG. 10 is a front perspective view of FIG. 9;

FIG. 11 is a top plan view of FIG. 9;

FIG. 12 is a front elevational view of FIG. 9;

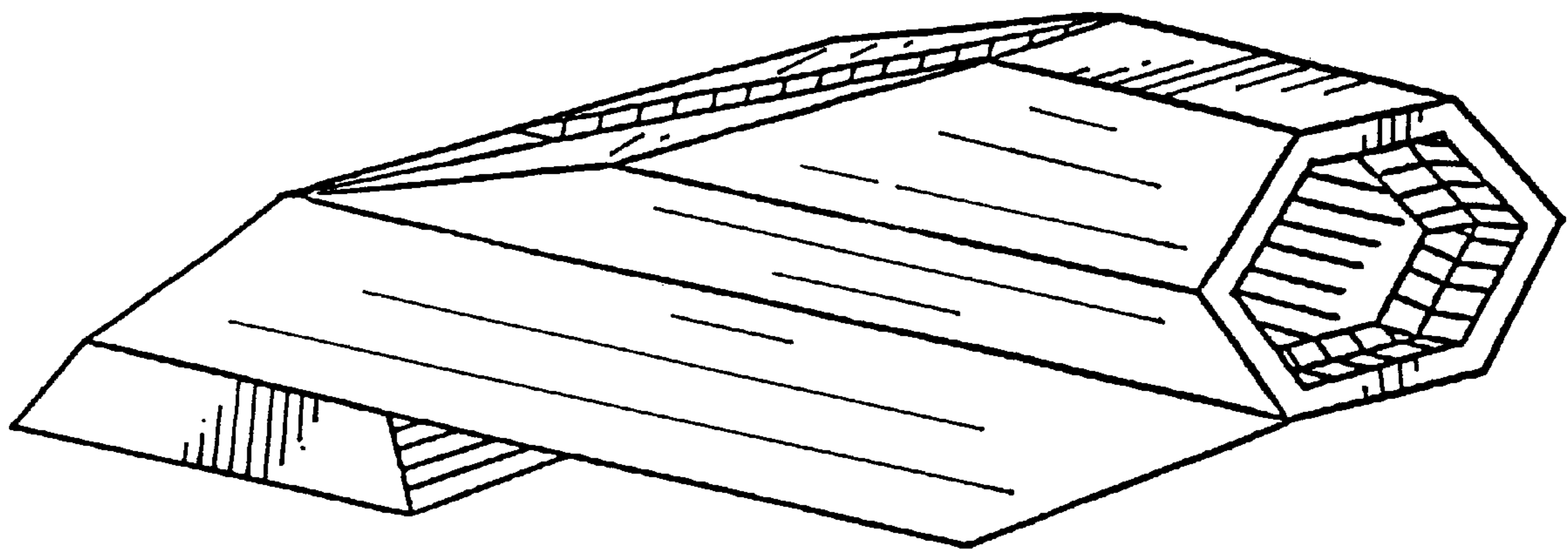
FIG. 13 is a side elevational view thereof, the opposite side is a mirror image;

FIG. 14 is a rear elevational view of FIG. 9;

FIG. 15 is a bottom plan view of FIG. 9; and,

FIG. 16 is a rear perspective view of FIG. 9, the broken line showing of the firearm is for illustrative purposes only and forms no part of the claimed design.

1 Claim, 6 Drawing Sheets



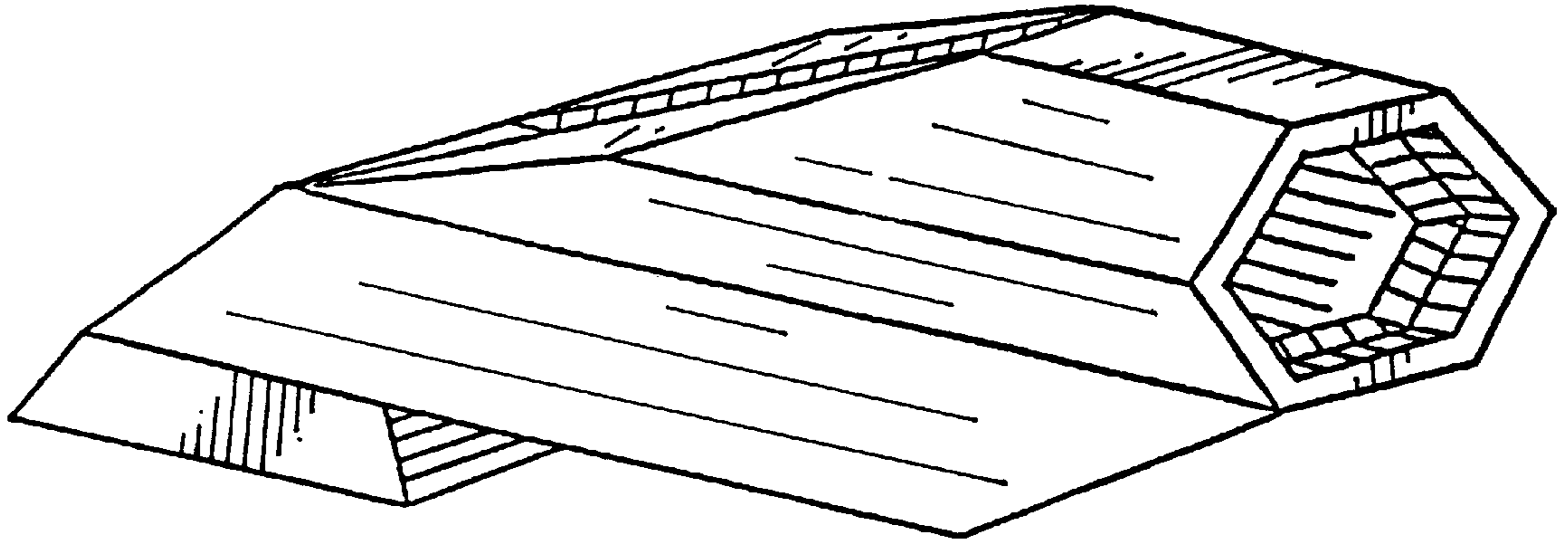


Fig. 1

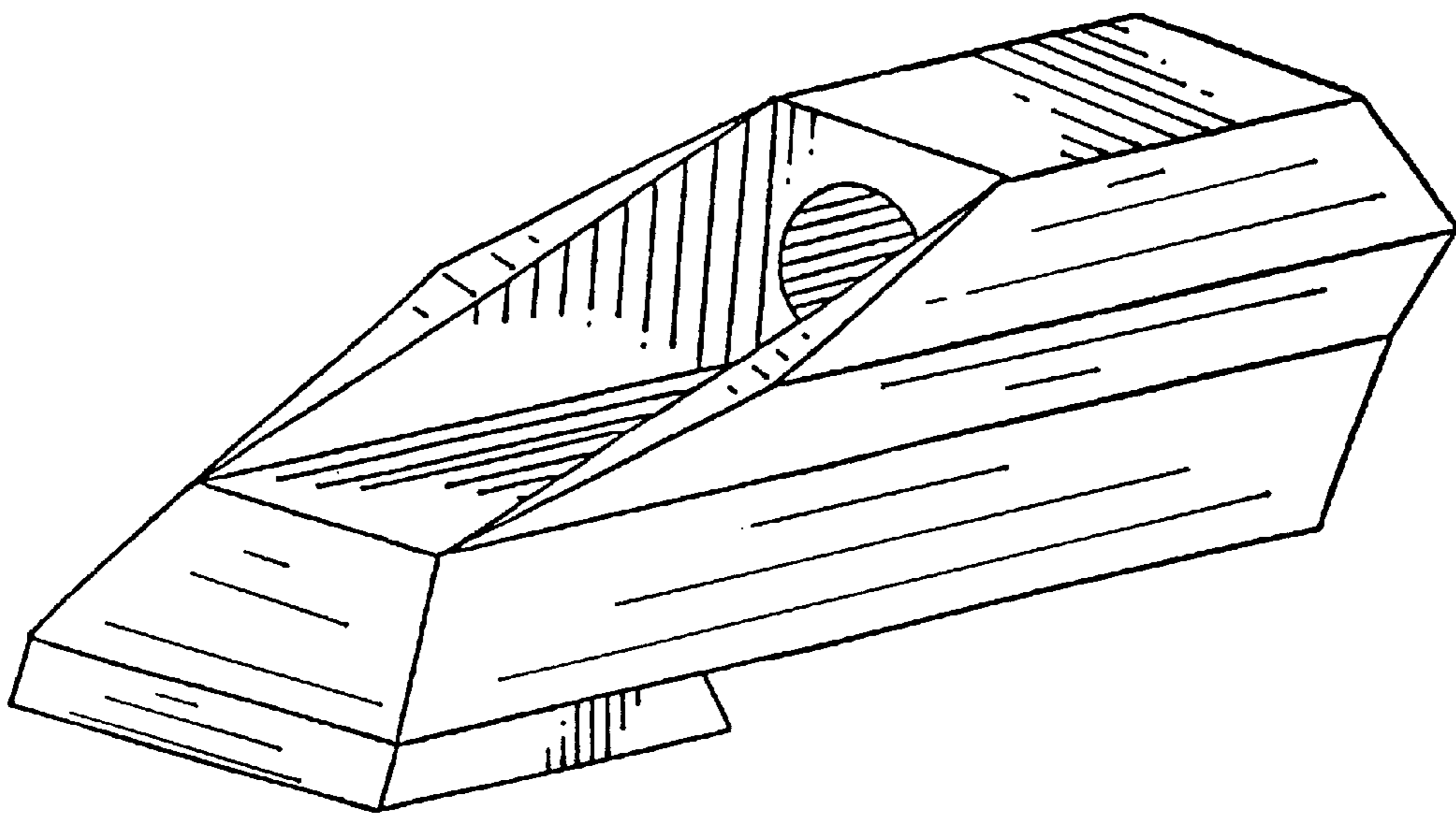


Fig. 2

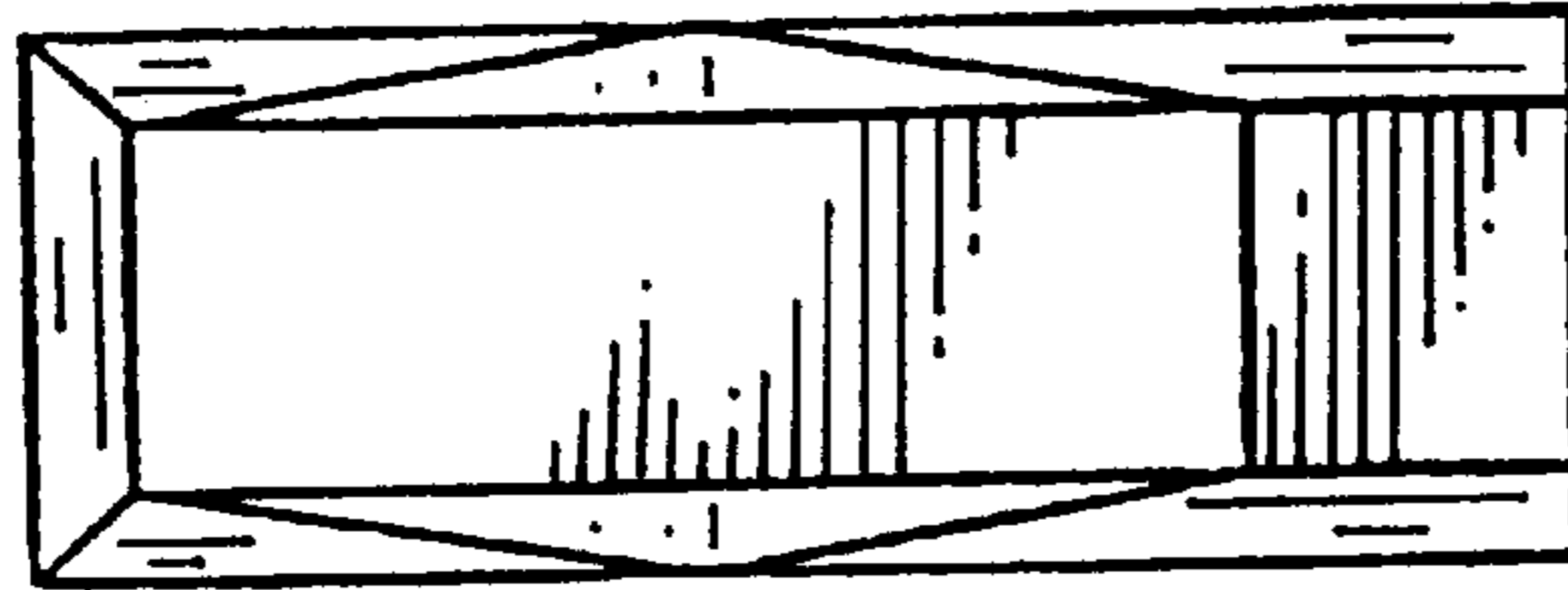


Fig. 3

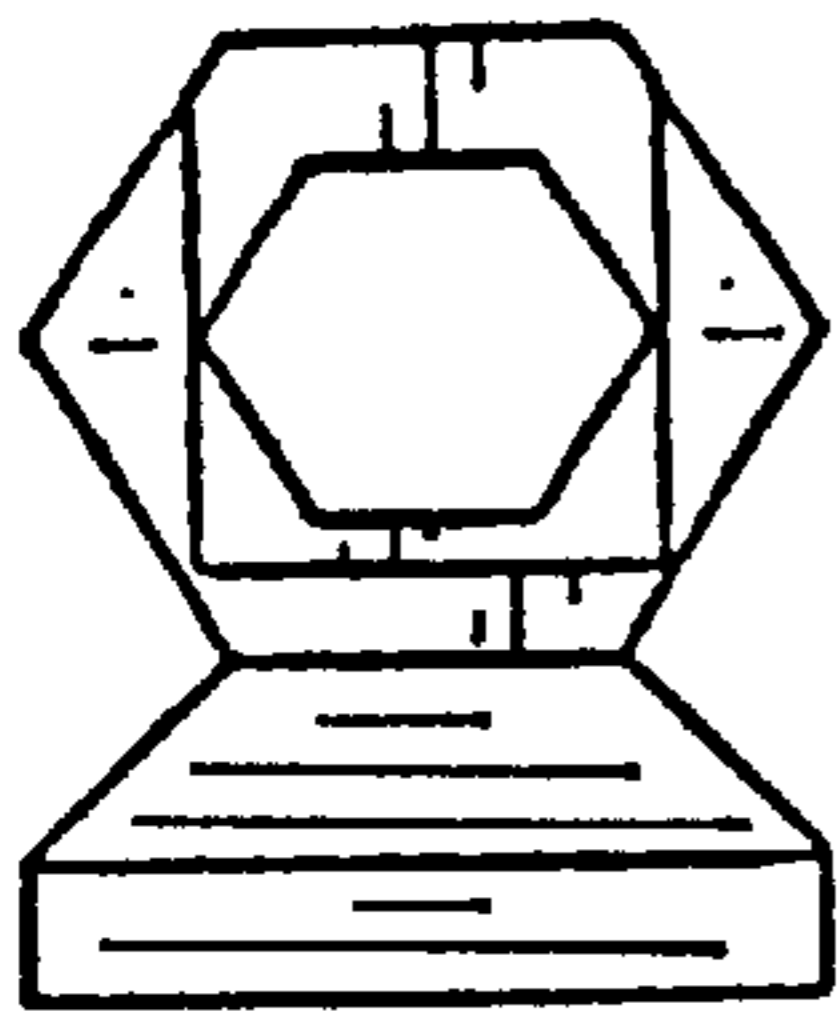


Fig. 4

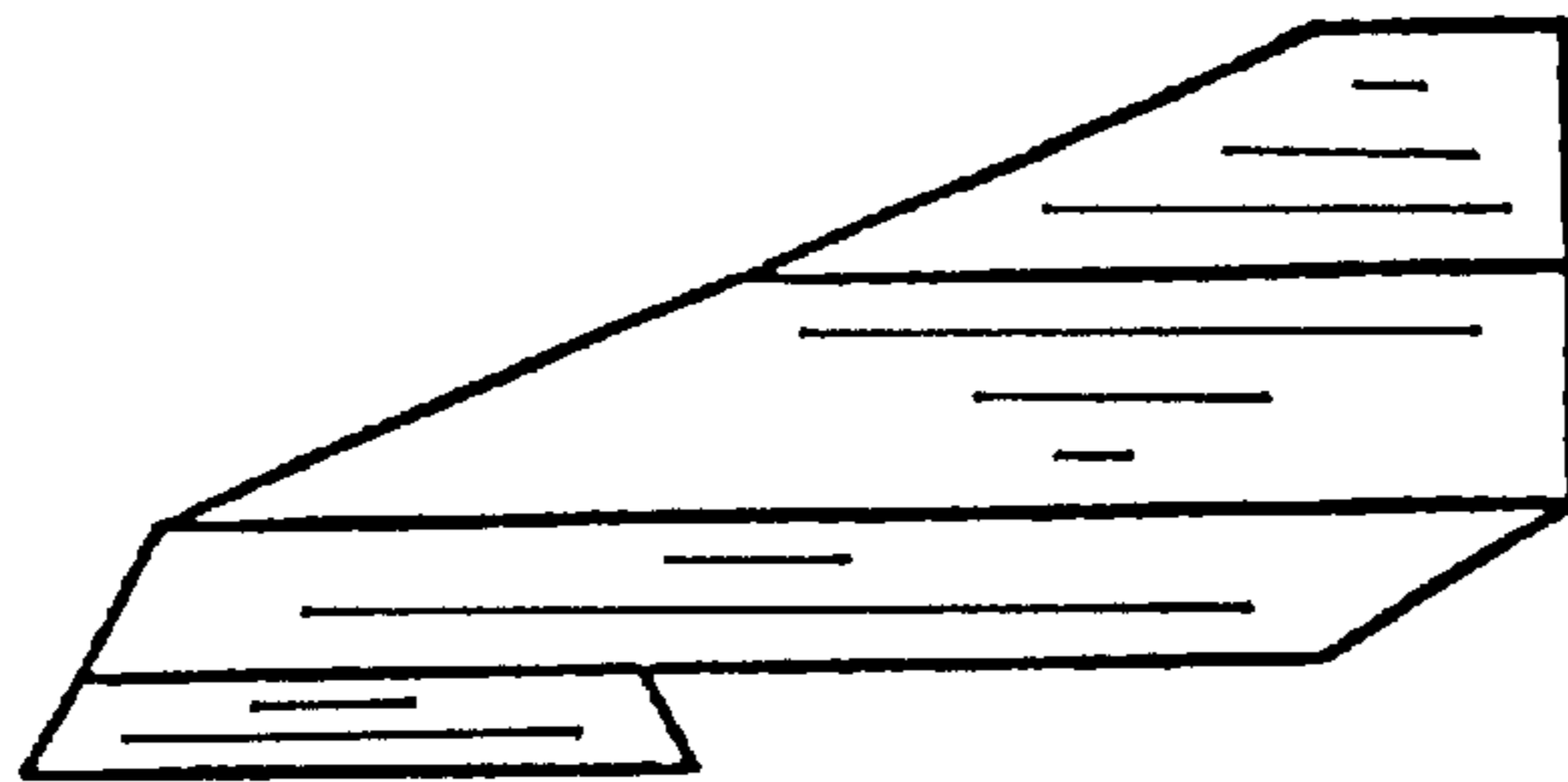


Fig. 5

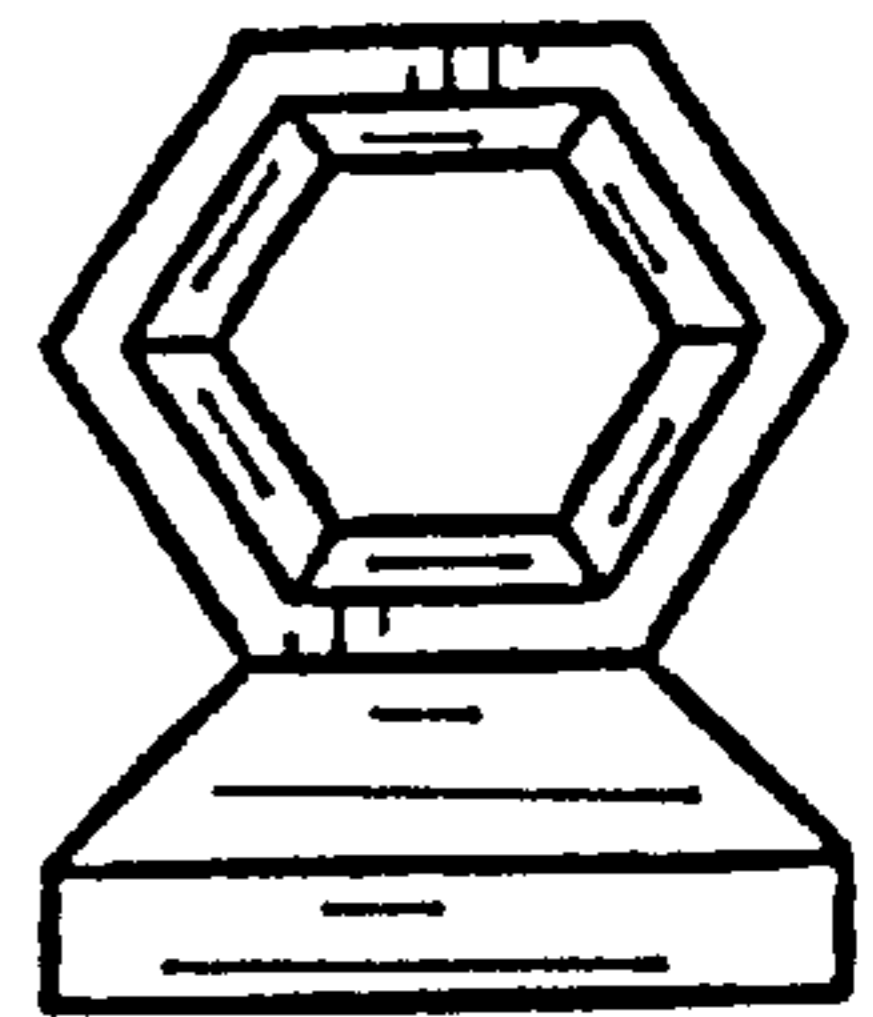


Fig. 6

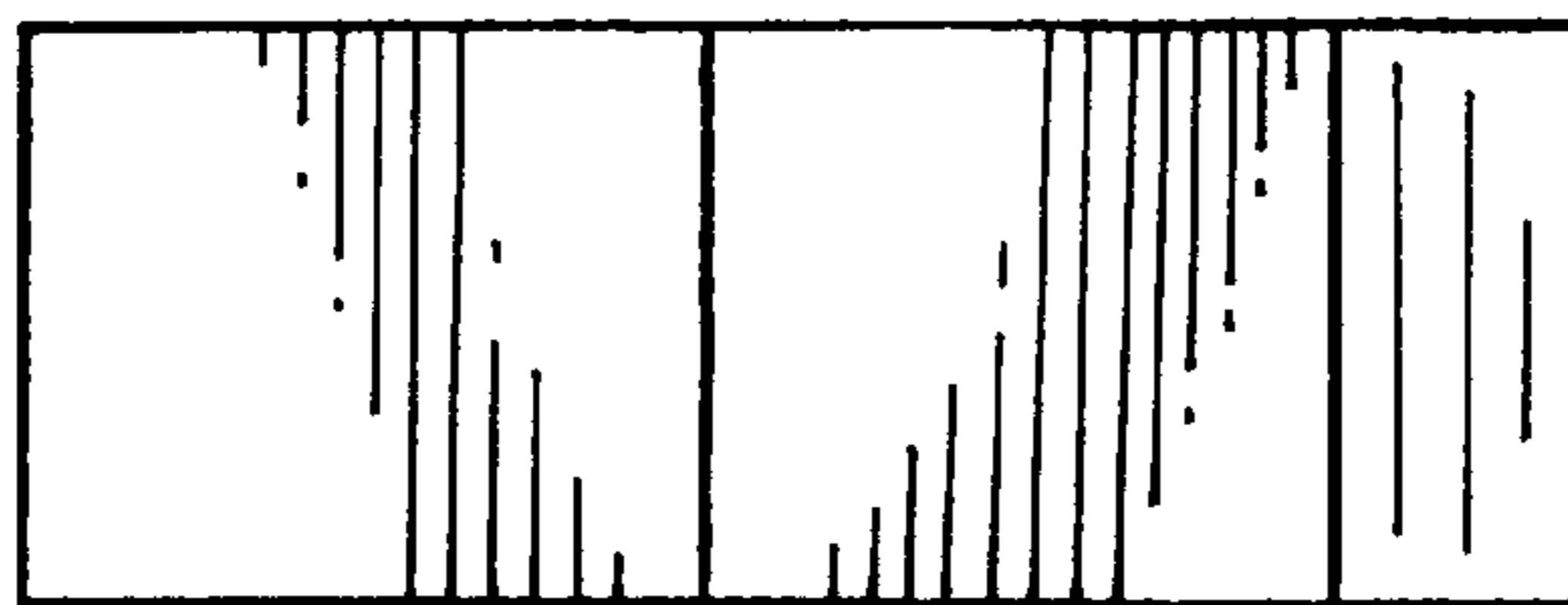


Fig. 7

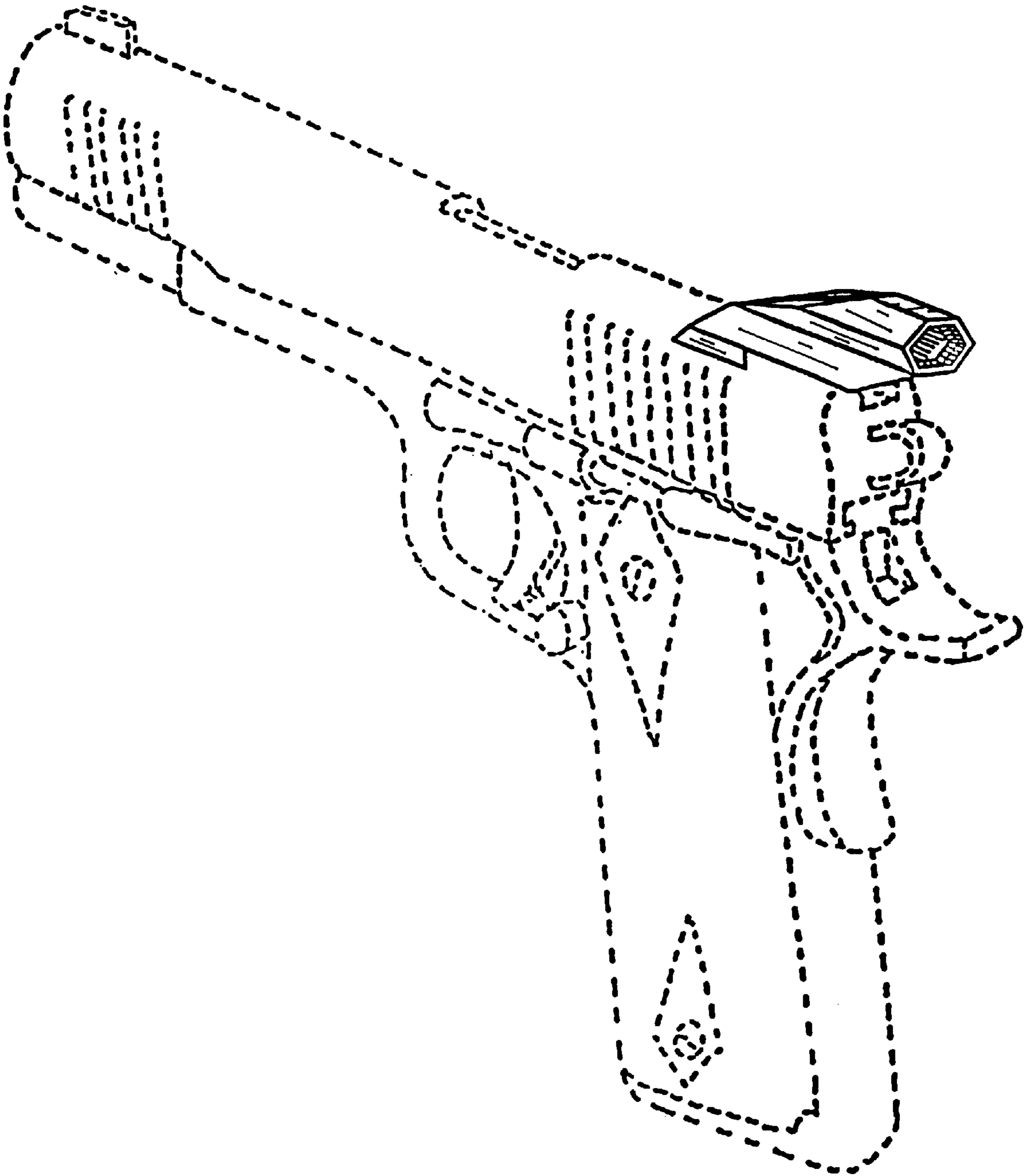


Fig. 8

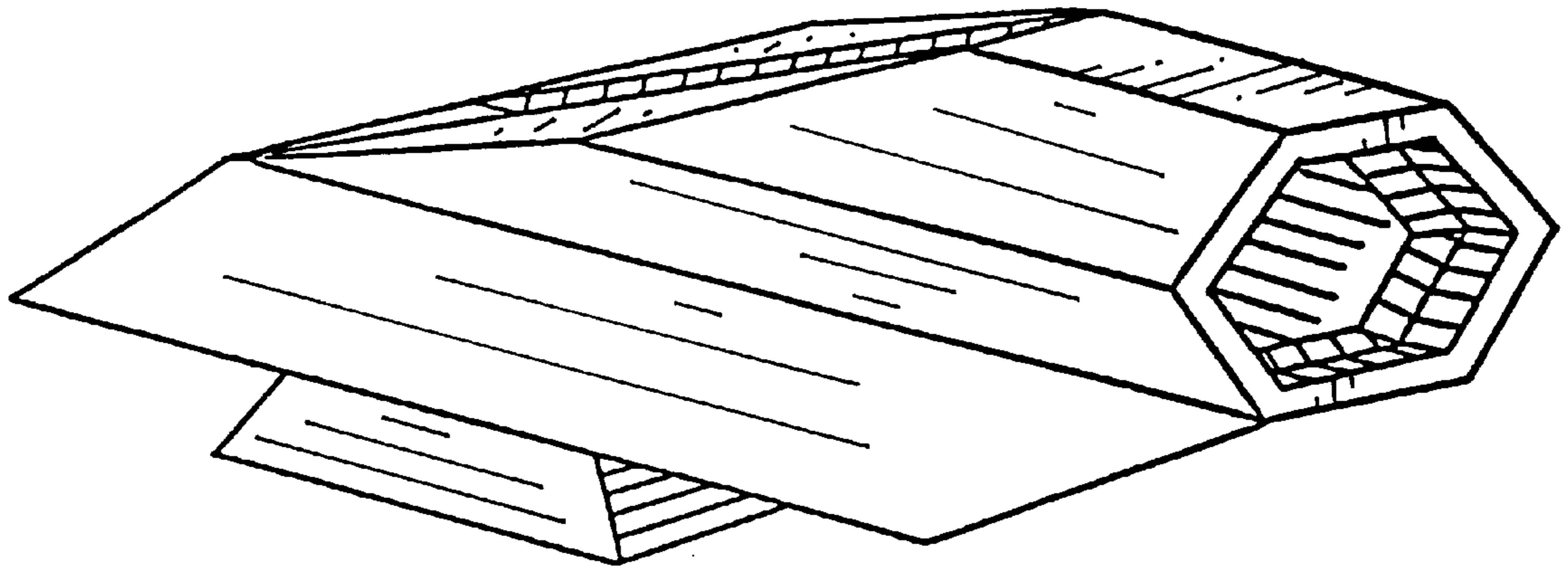


Fig. 9

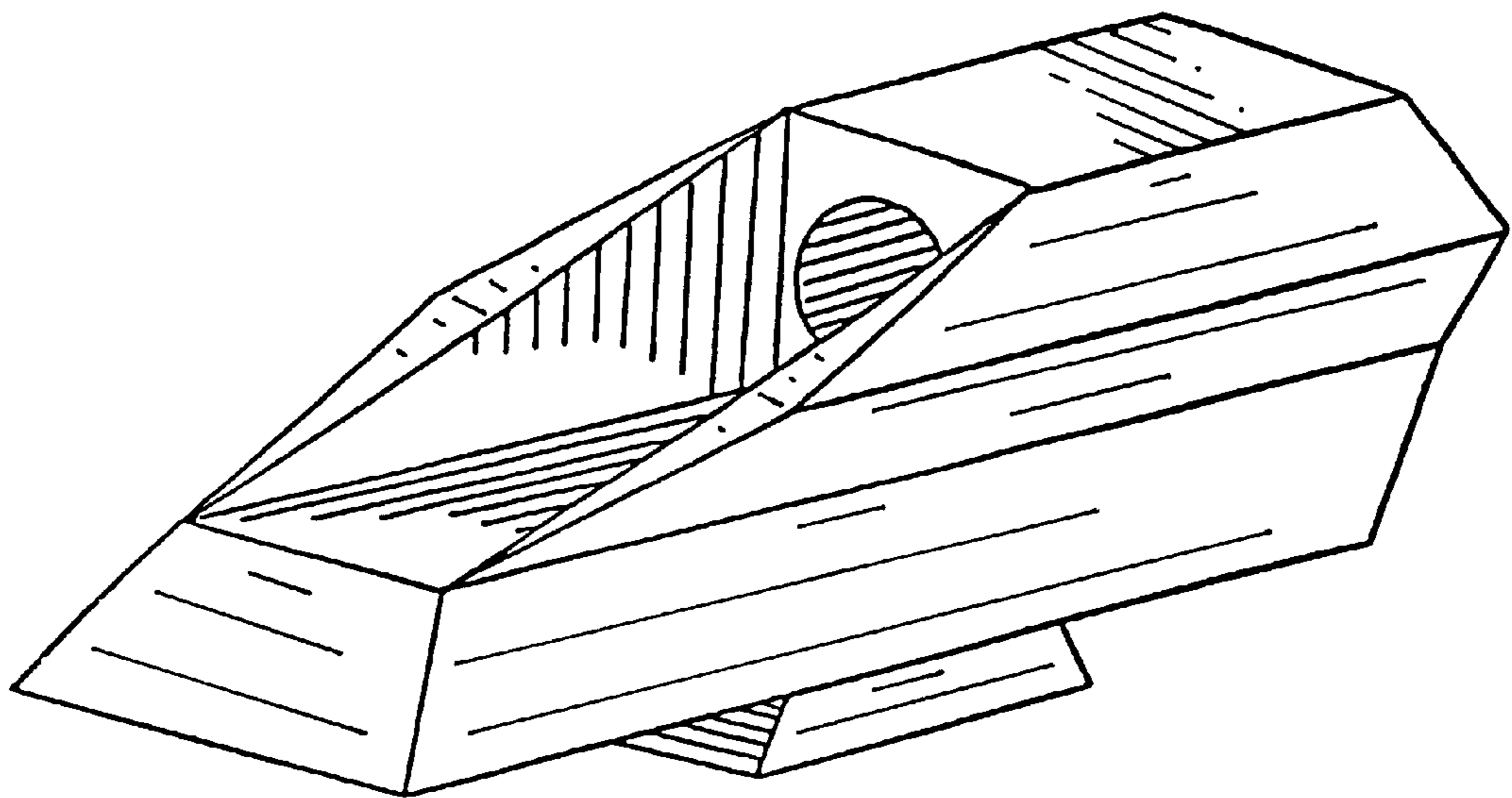


Fig. 10

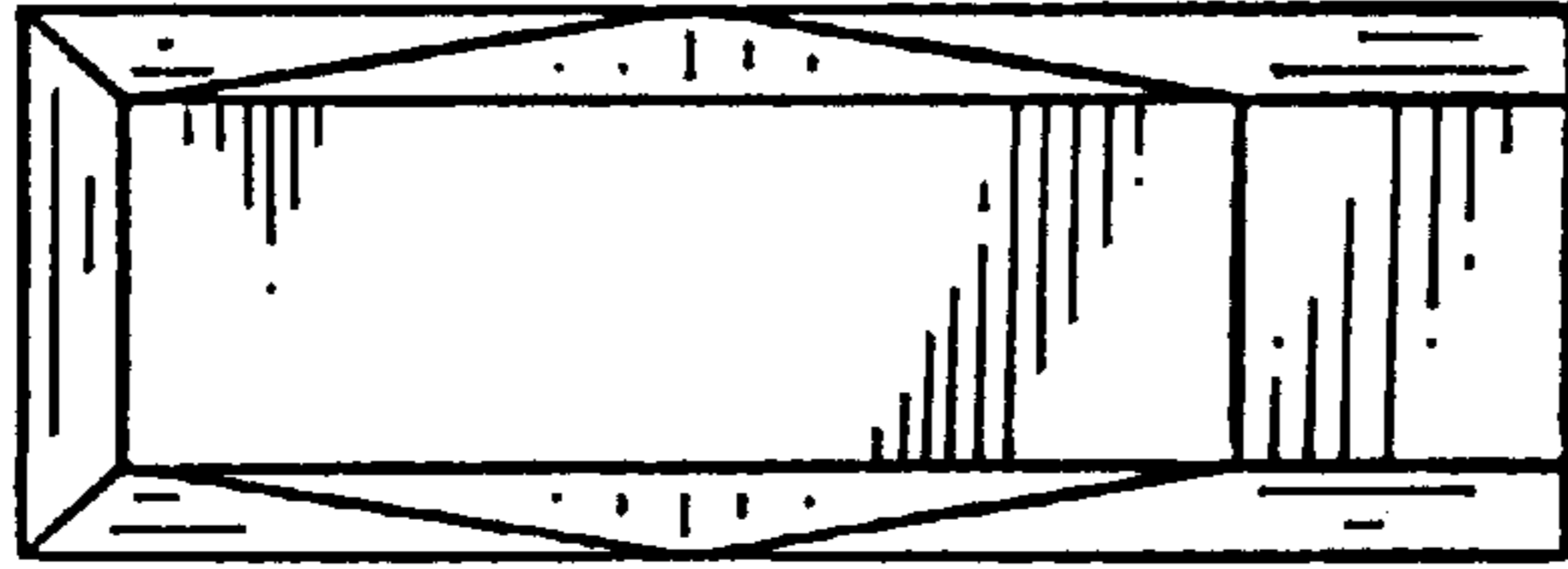


Fig. 11

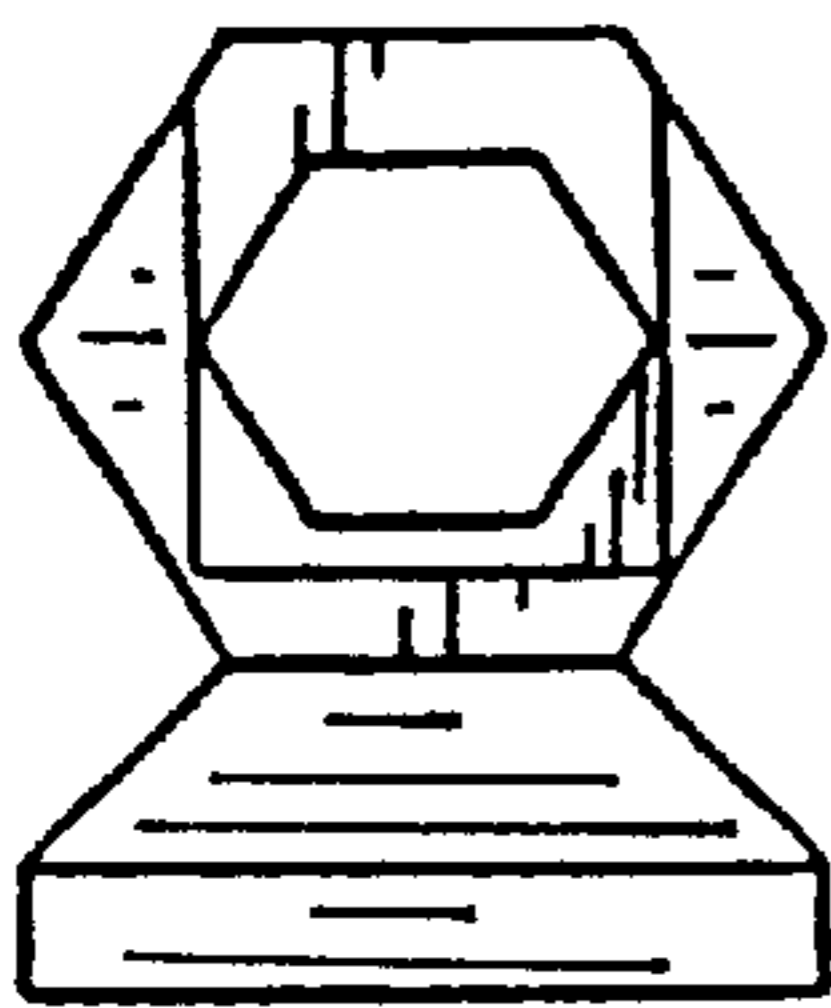


Fig. 12

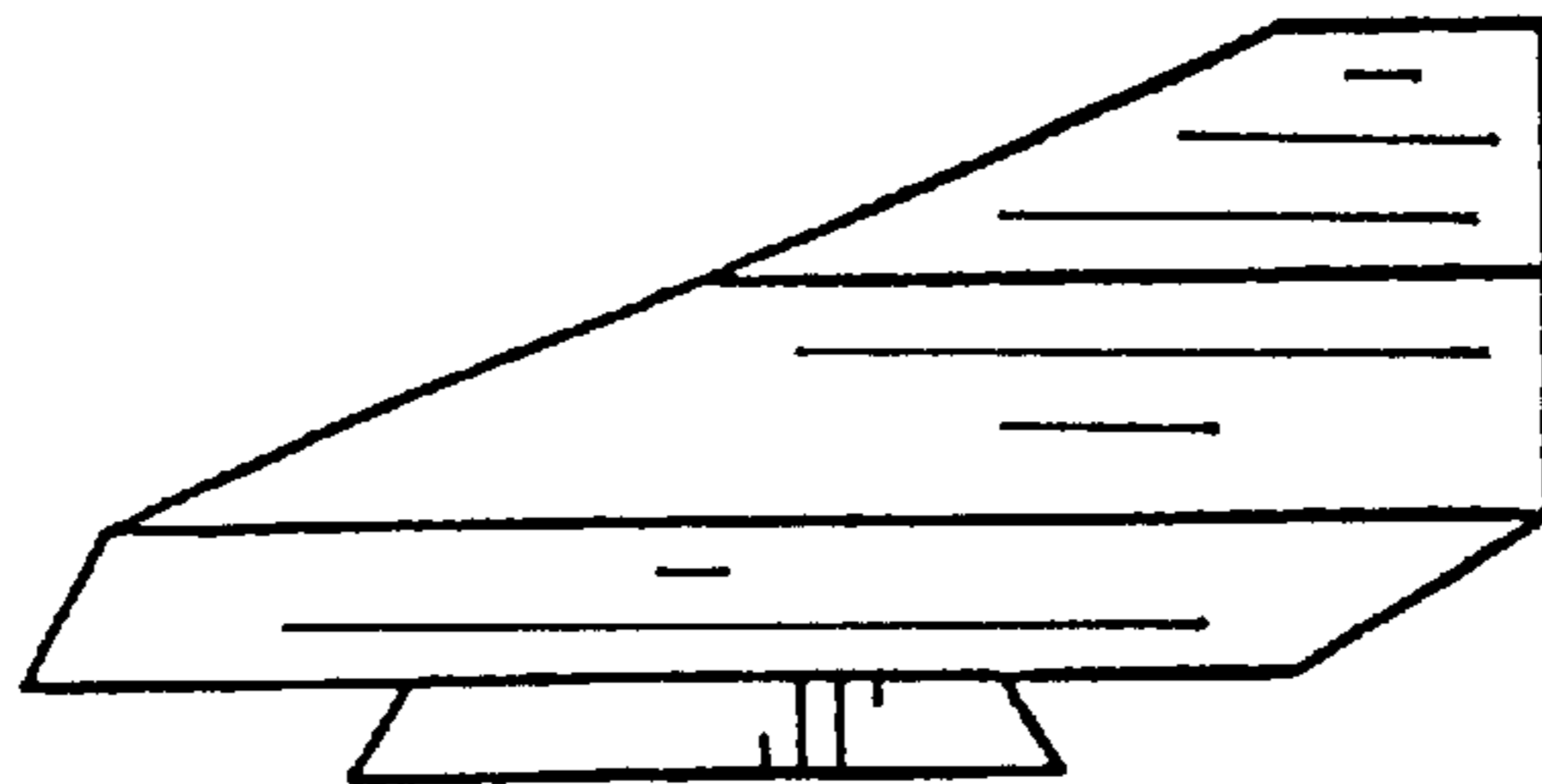


Fig. 13

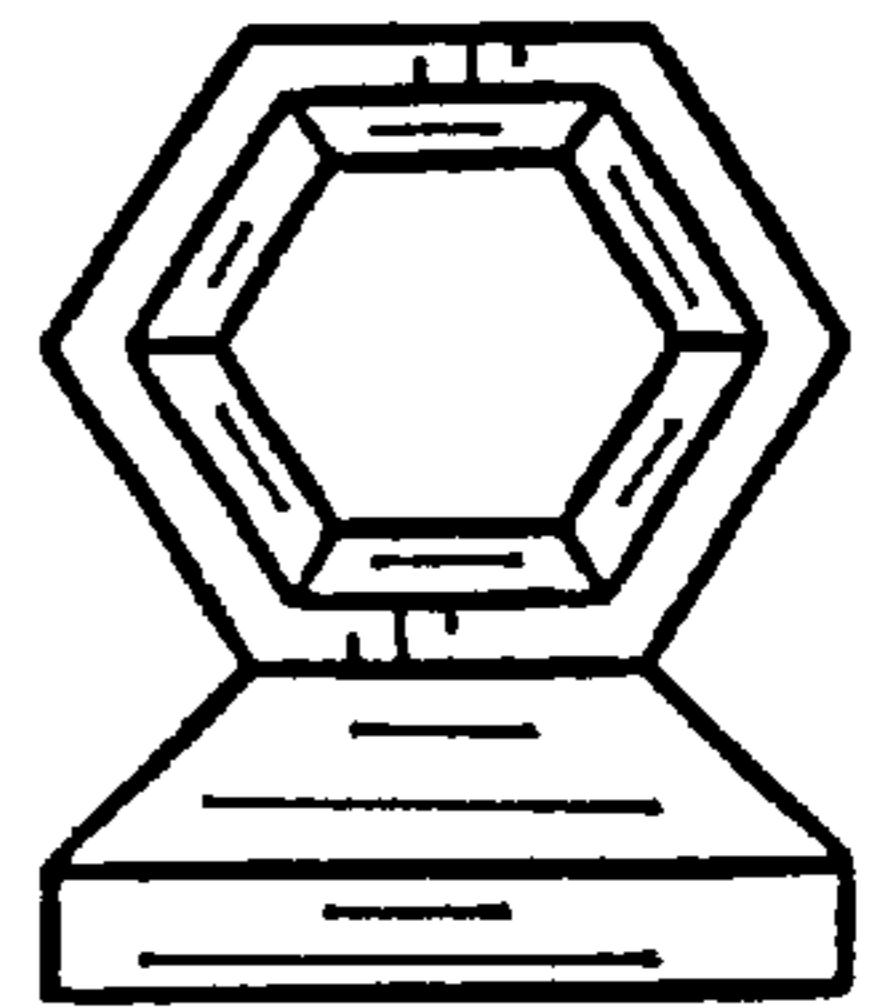


Fig. 14

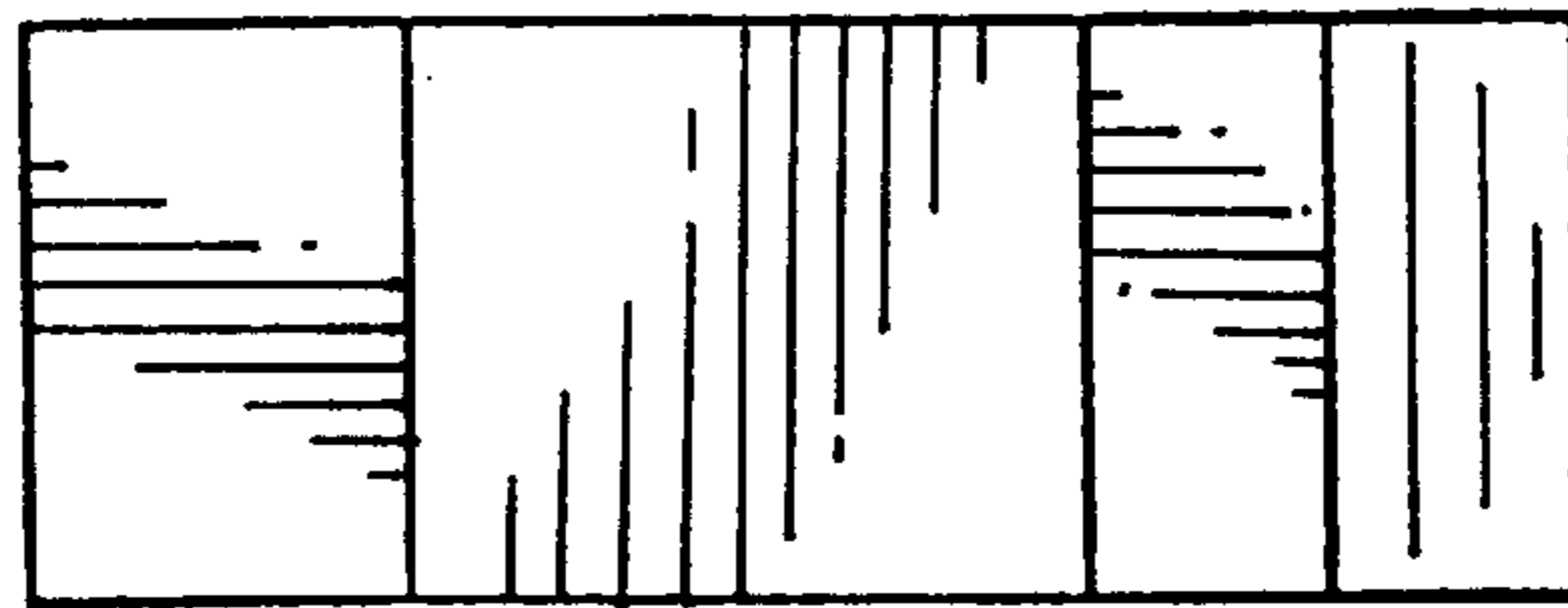


Fig. 15

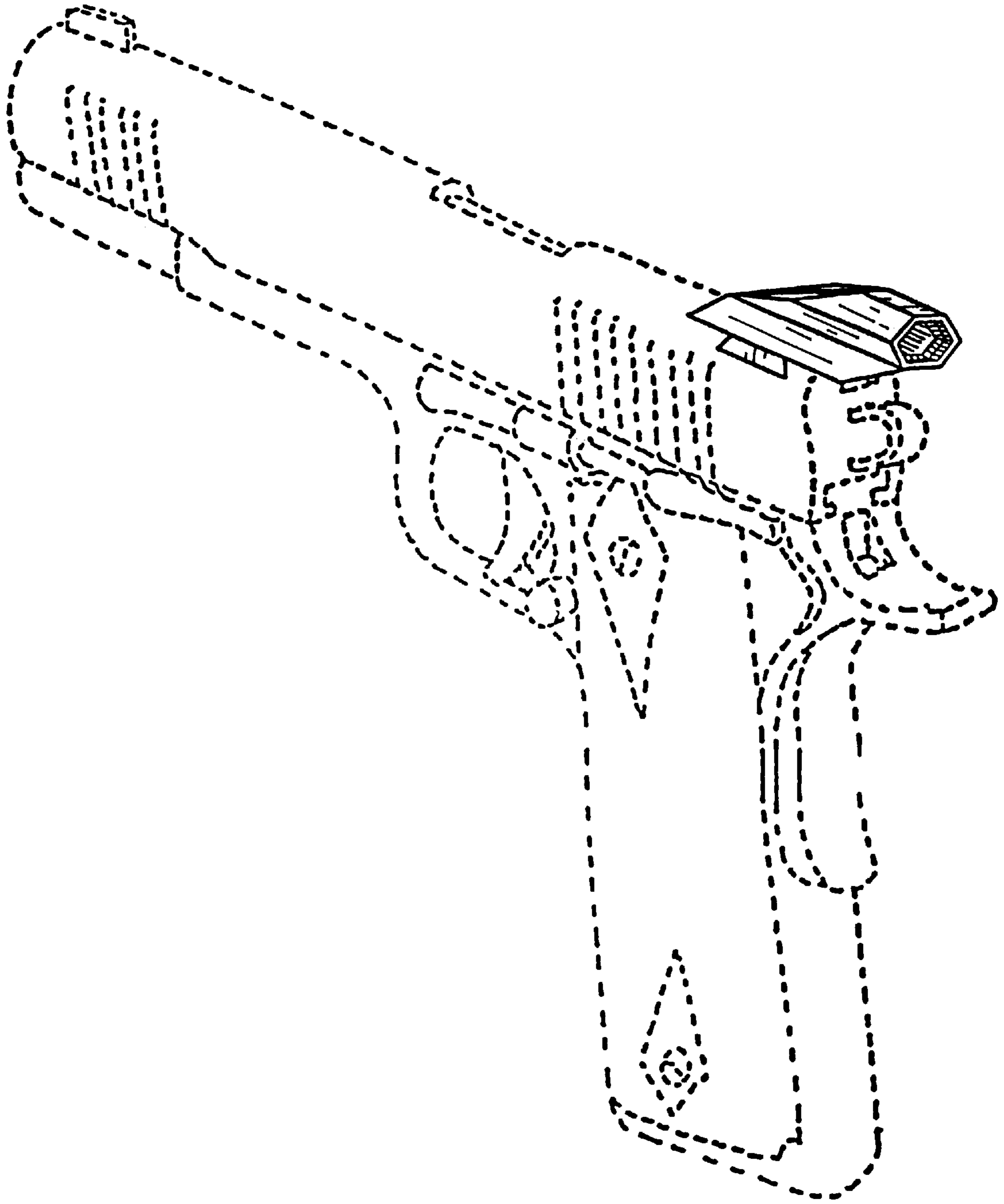


Fig. 16