



US00D413644S

# United States Patent [19] Carver

[11] Patent Number: Des. 413,644

[45] Date of Patent: \*\* Sep. 7, 1999

[54] WEAPON STOCK POUCH FOR HOLDING A MAGAZINE

[75] Inventor: John Wayne Carver, Dittmer, Mo.

[73] Assignee: Eagle Industries Unlimited, Inc.,  
Fenton, Mo.

[\*\*] Term: 14 Years

[21] Appl. No.: 29/079,908

[22] Filed: Nov. 24, 1997

[51] LOC (6) Cl. .... 22-01

[52] U.S. Cl. .... D22/108; D3/221

[58] Field of Search ..... D3/226, 224, 221,  
D3/215, 201, 232, 233, 234, 228, 205,  
230; 224/223, 239, 245, 251, 249, 679,  
680, 678, 677; D22/108, 199; 42/87

### [56] References Cited

#### U.S. PATENT DOCUMENTS

D. 325,952	5/1992	Moore	.....	D22/108
D. 363,525	10/1995	Montefusco	.....	D22/108
645,814	3/1900	Johnson	.....	D3/230 X
2,346,185	1/1944	Perry	.....	224/245
5,152,442	10/1992	Gallagher	.....	224/245

#### OTHER PUBLICATIONS

Uncle Mike's Catalog, Sidekick Ammunition Carriers, p. 21, 1994, Sep. 17, 1998.

Primary Examiner—Doris Clark

Assistant Examiner—Catherine R. Oliver

Attorney, Agent, or Firm—Haverstock, Garrett and Roberts

### [57] CLAIM

The ornamental design for a weapon stock pouch for holding a magazine, as shown and described.

### DESCRIPTION

FIG. 1 is a front elevational view of the weapon stock pouch for holding a magazine showing my new design;

FIG. 2 is a right side elevational view thereof;

FIG. 3 is a rear elevational view thereof;

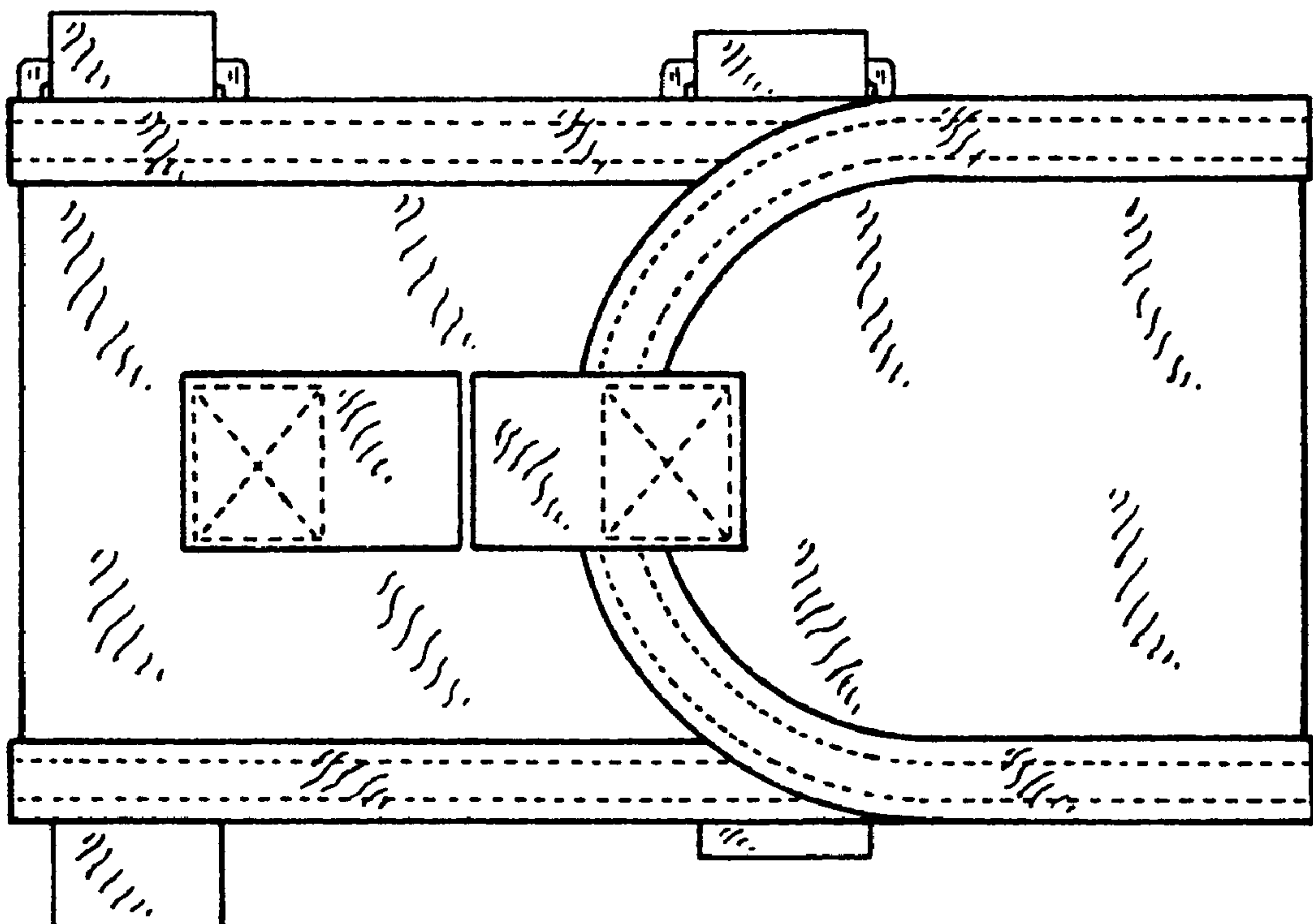
FIG. 4 is a left side elevational view thereof;

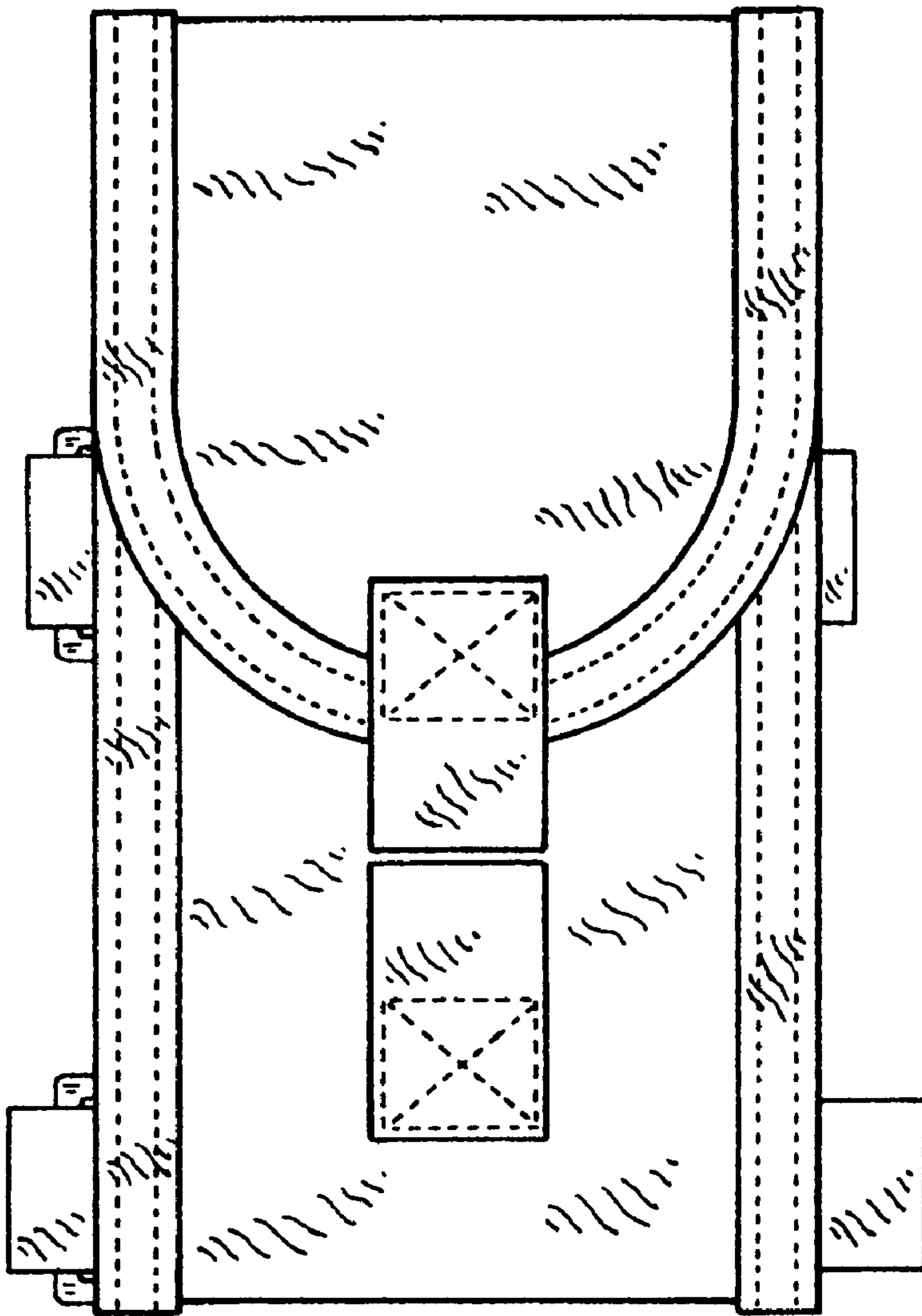
FIG. 5 is a top plan view thereof;

FIG. 6 is a bottom plan view thereof; and,

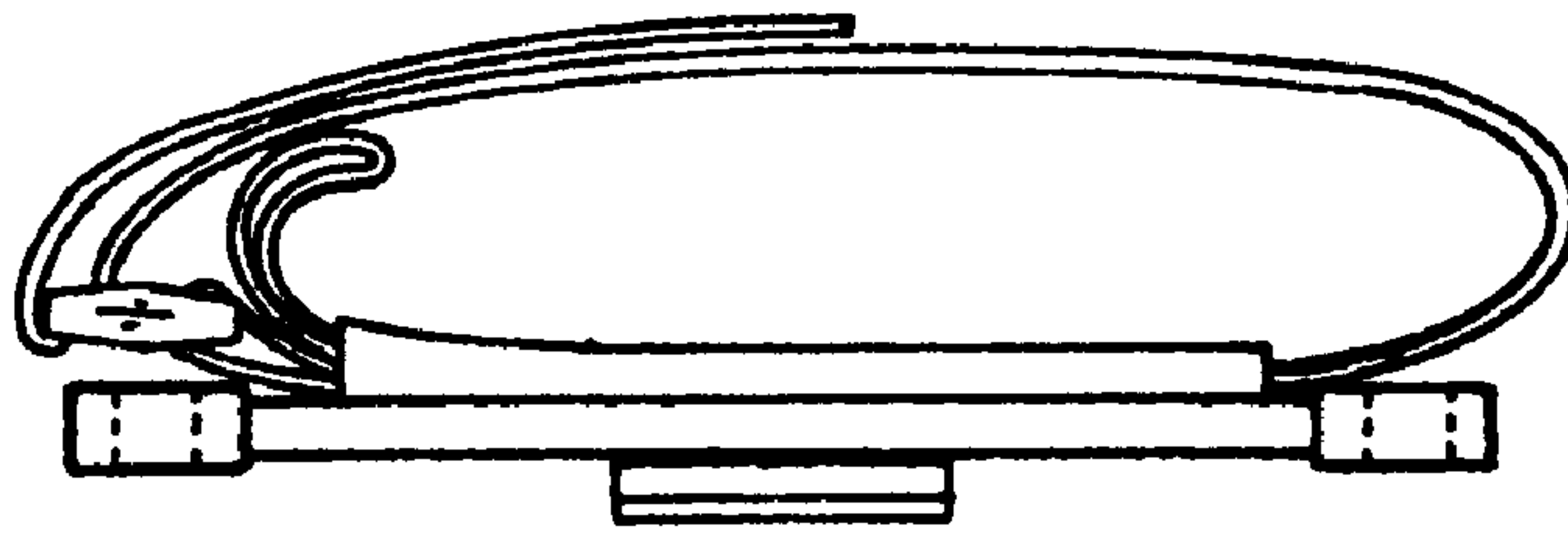
FIG. 7 is a front elevational view thereof with the flap of the weapon stock pouch being shown in the open position, the stock pouch being further shown in an operative position on the stock of a weapon and a typical magazine being shown for insertion into the stock pouch, the weapon stock and magazine are illustrated in dotted outline form for illustrative purposes only and form no part of the claimed design.

1 Claim, 3 Drawing Sheets





*Fig. 1*



*Fig. 2*

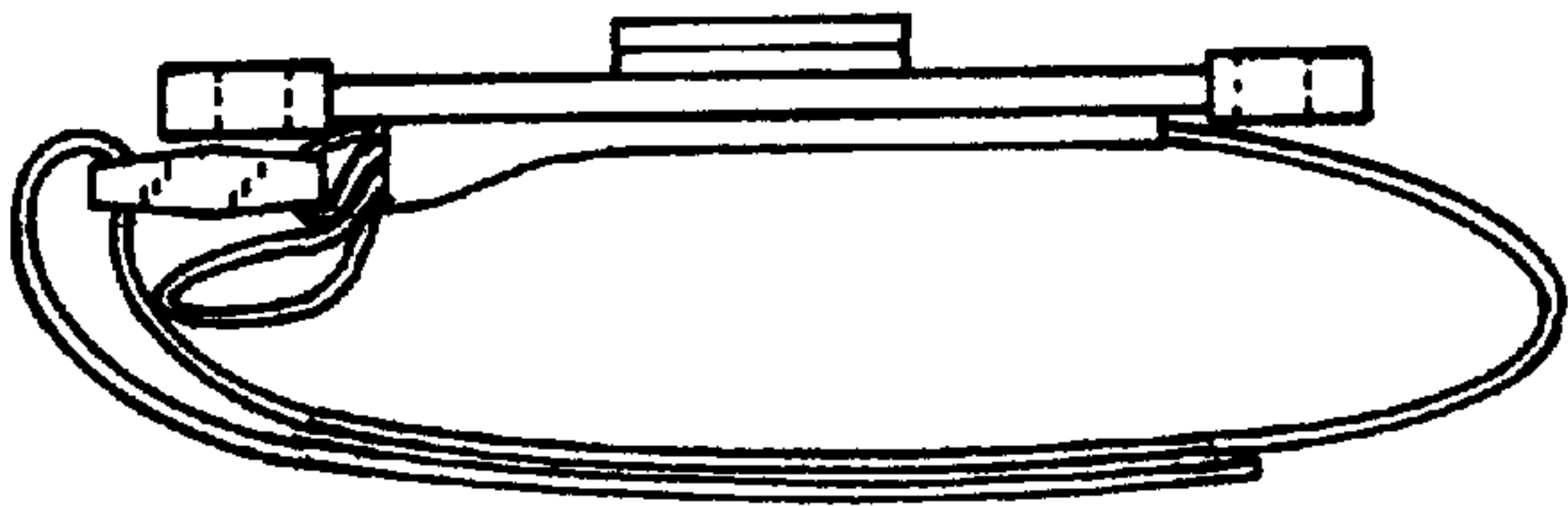


Fig. 4

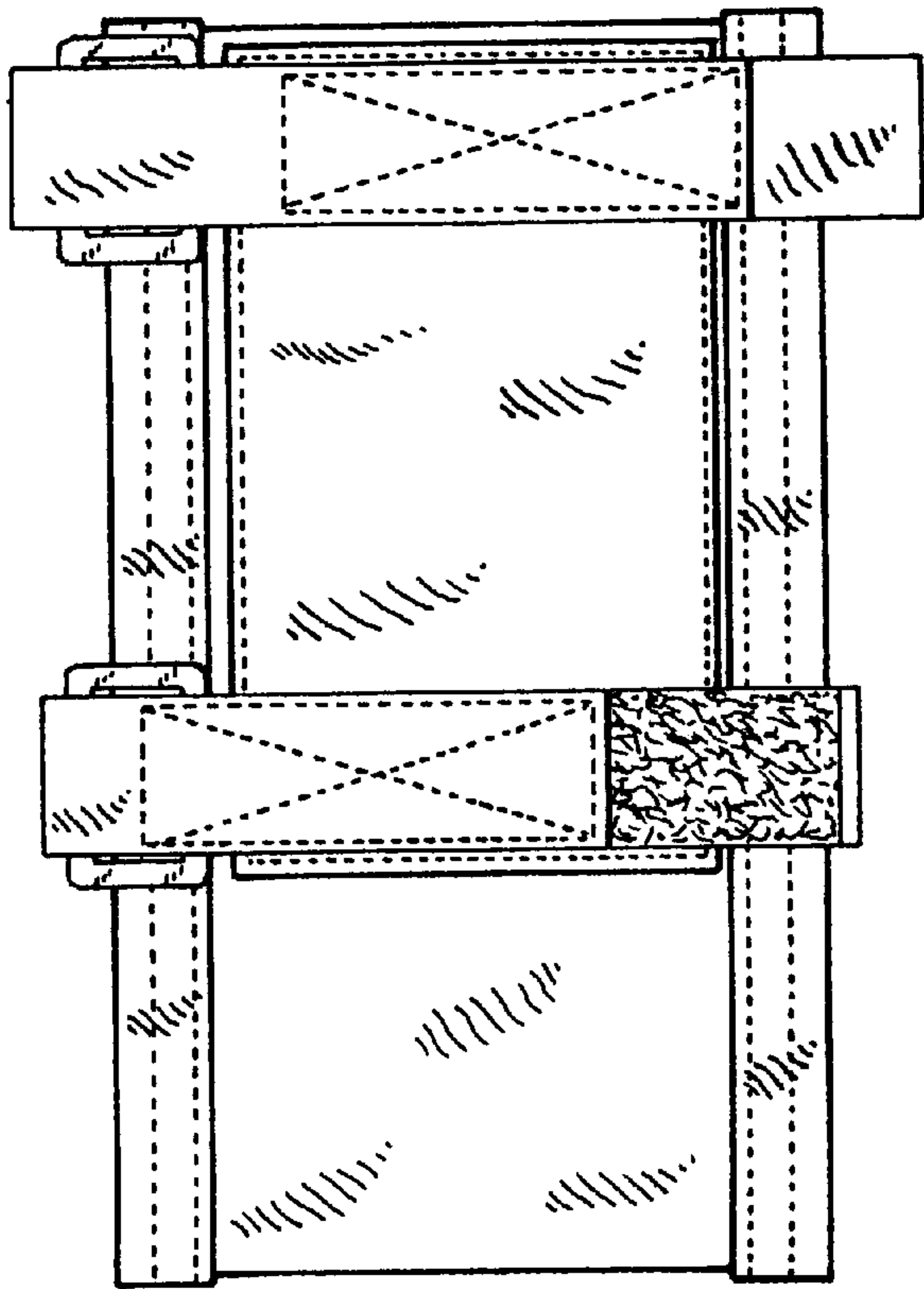


Fig. 3

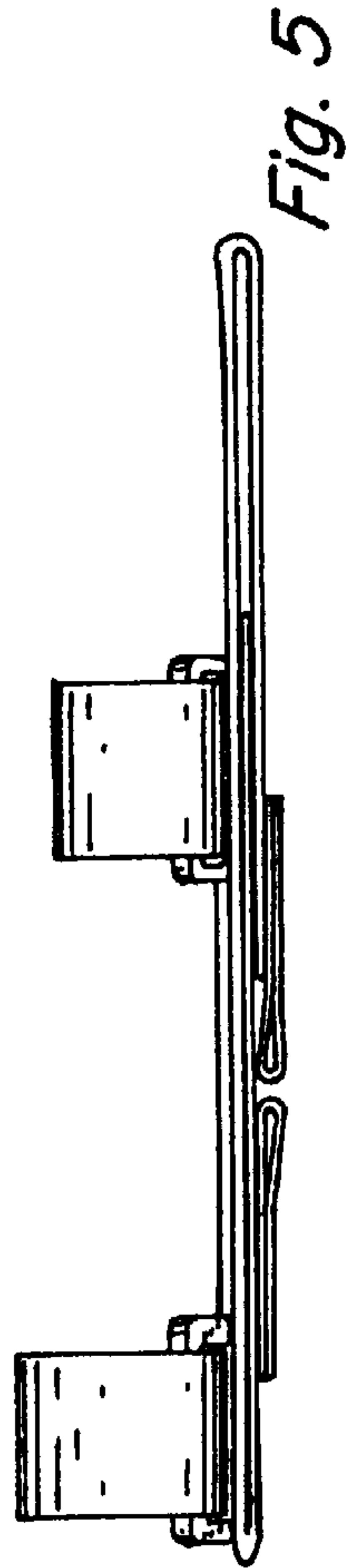


Fig. 5

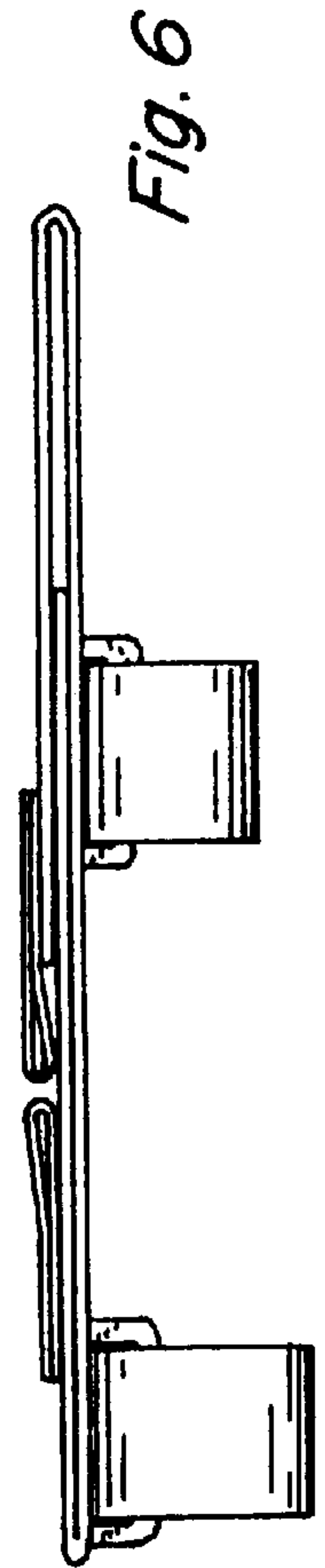


Fig. 6

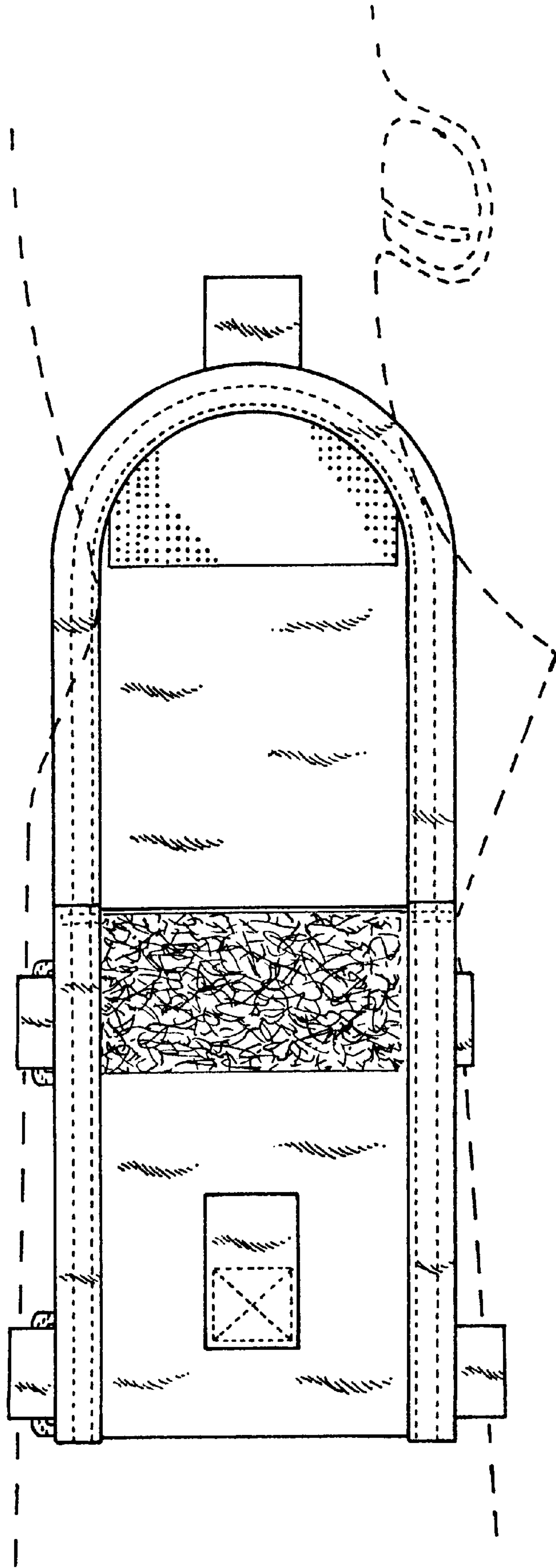


Fig. 7