



US00D413641S

# United States Patent [19]

Falco

[11] **Patent Number: Des. 413,641**

[45] **Date of Patent: \*\* Sep. 7, 1999**

[54] **BATTING WARM-UP DEVICE**

[76] Inventor: **Christopher J. Falco**, 4134 Harvestwood Dr., Grapevine, Tex. 76051

[\*\*] Term: **14 Years**

[21] Appl. No.: **29/090,845**

[22] Filed: **Jul. 16, 1998**

[51] **LOC (6) Cl.** ..... **21-02**

[52] **U.S. Cl.** ..... **D21/725**

[58] **Field of Search** ..... D21/725, 753, D21/759, 789, 791; 273/67 R, 72 R; 473/457, 564

[56] **References Cited**

**U.S. PATENT DOCUMENTS**

D. 247,919	5/1978	Goyette, Jr.	.....	D21/791
D. 325,612	4/1992	Longo	.....	D21/791
D. 328,935	8/1992	Dixon, Jr.	.....	D21/210
D. 368,950	4/1996	Gates	.....	D21/791
D. 371,412	7/1996	Howard	.....	D21/791
D. 396,909	8/1998	Carter	.....	D21/789

*Primary Examiner*—Mitchell I Siegel  
*Attorney, Agent, or Firm*—Smith & Danamraj,P.C.

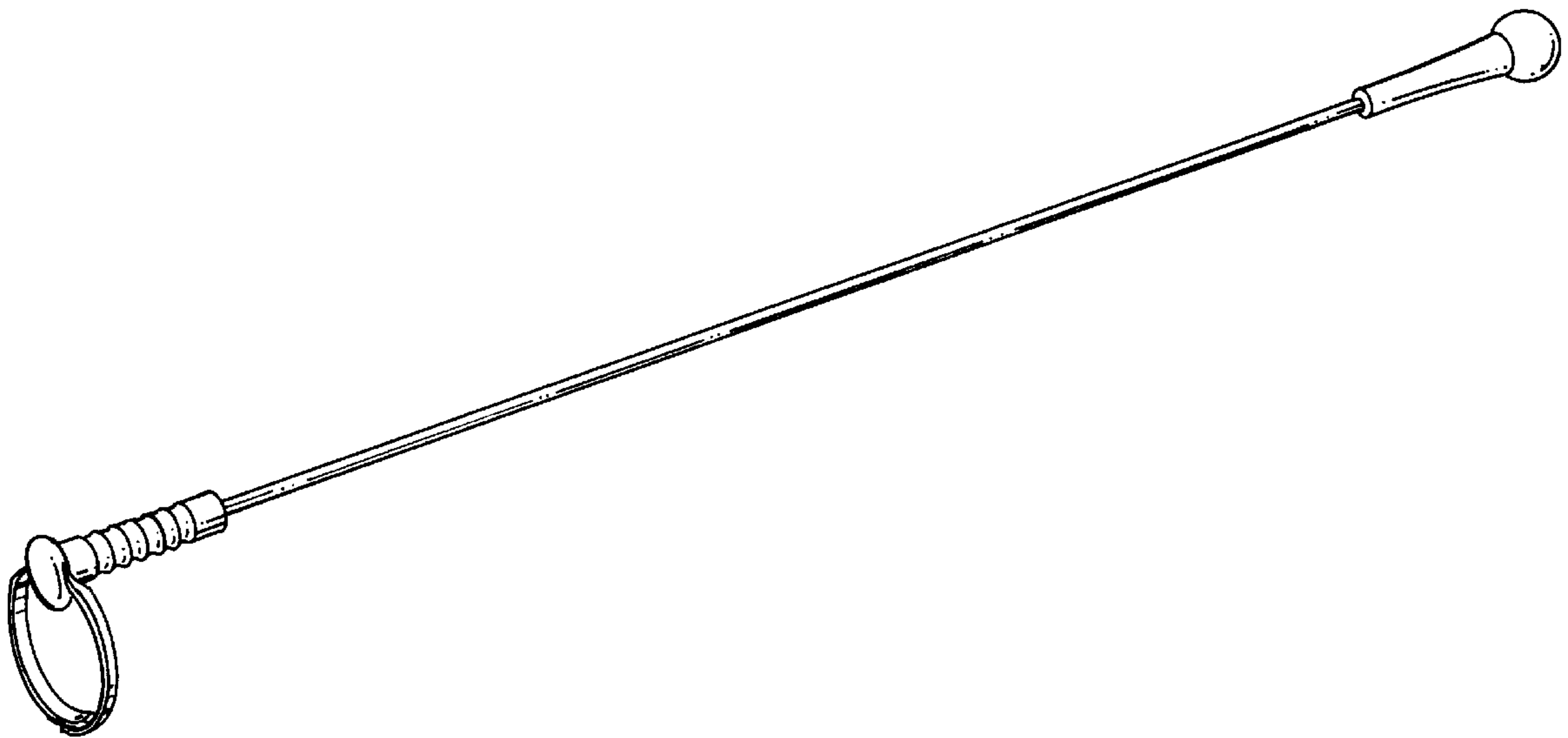
[57] **CLAIM**

The ornamental design for the batting warm-up device, as shown and descibed.

**DESCRIPTION**

FIG. 1 is a perspective view of my batting warm-up device; FIG. 2 is a front elevational view of the batting warm-up device; FIG. 3 is an enlarged fragmentary front view of the batting warm-up device; FIG. 4 is an enlarged fragmentary rear view of the batting warm-up device; FIG. 5 is an enlarged fragmentary top plan view of the batting warm-up device; FIG. 6 is an enlarged fragmentary bottom plan view of the batting warm-up device; FIG. 7 is a left side elevational view of the batting warm-up device; and, FIG. 8 is a right side elevational view of the batting warm-up device.

**1 Claim, 4 Drawing Sheets**



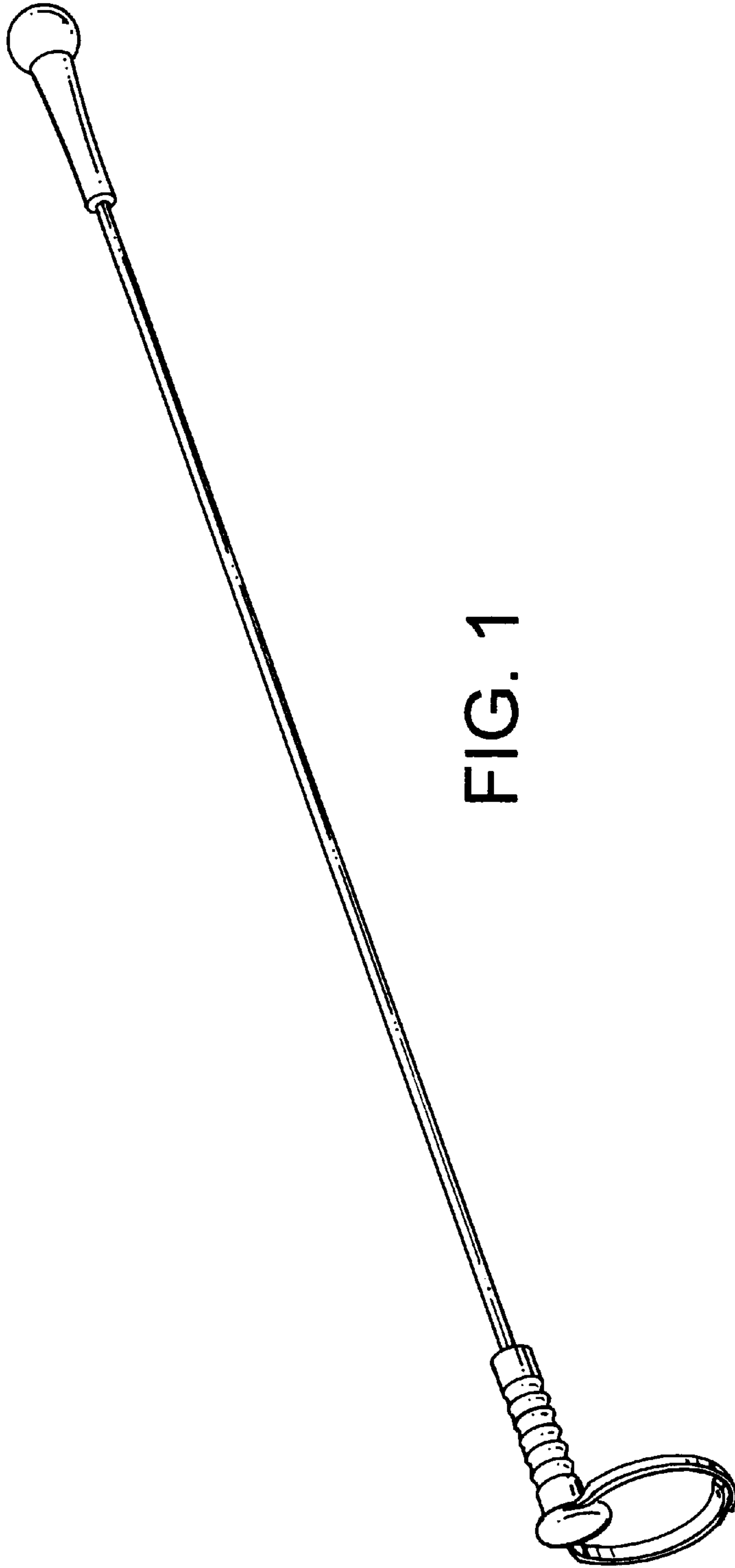


FIG. 1

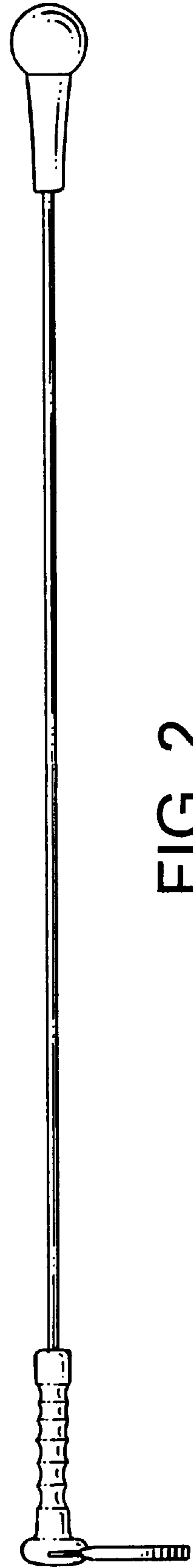
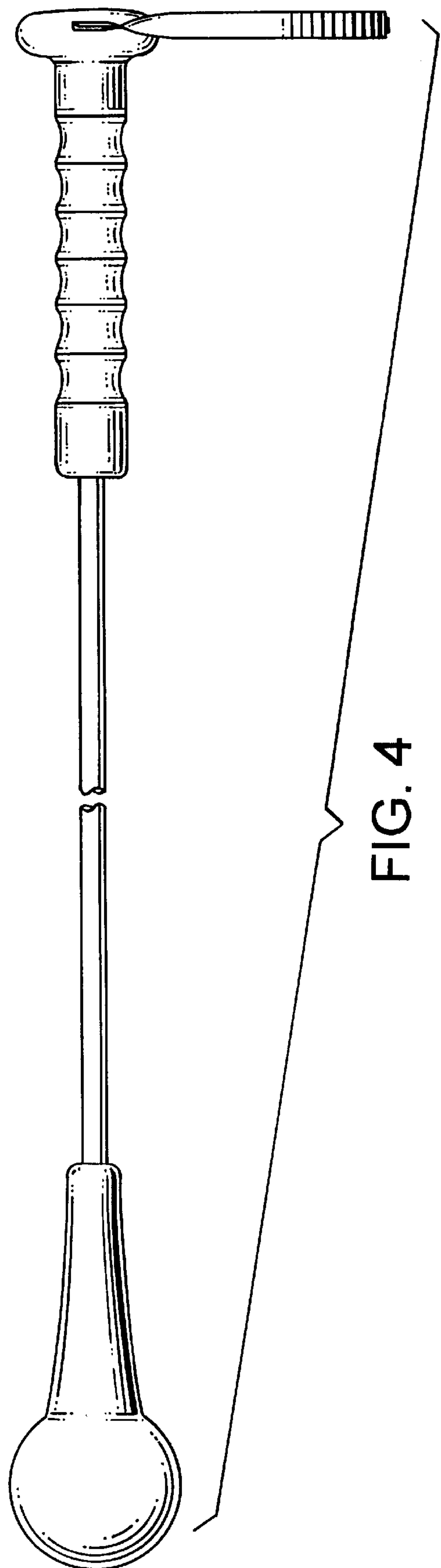
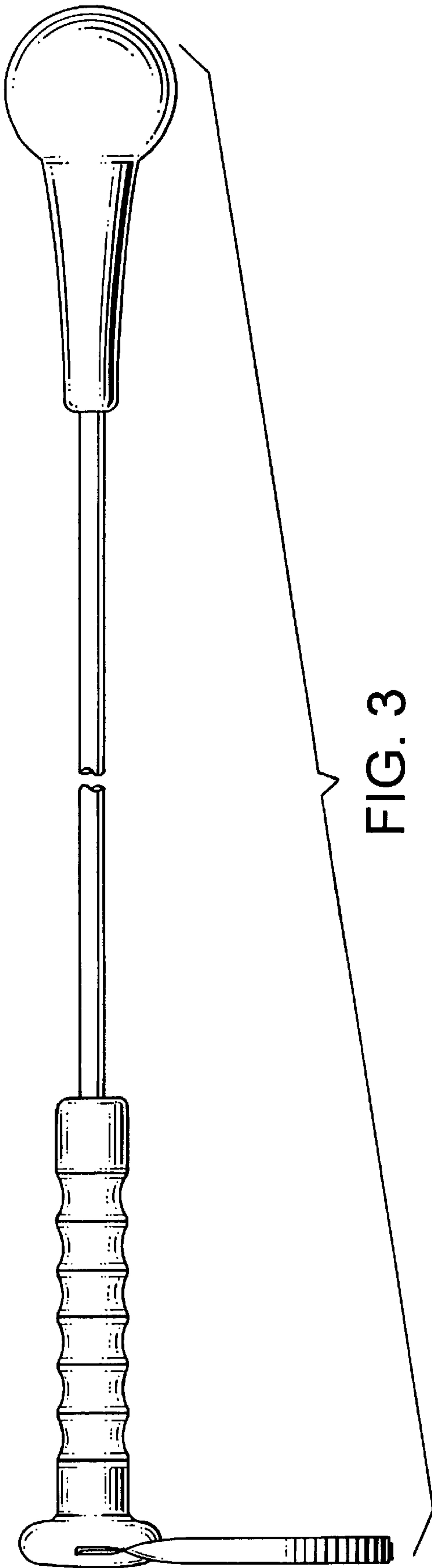


FIG. 2



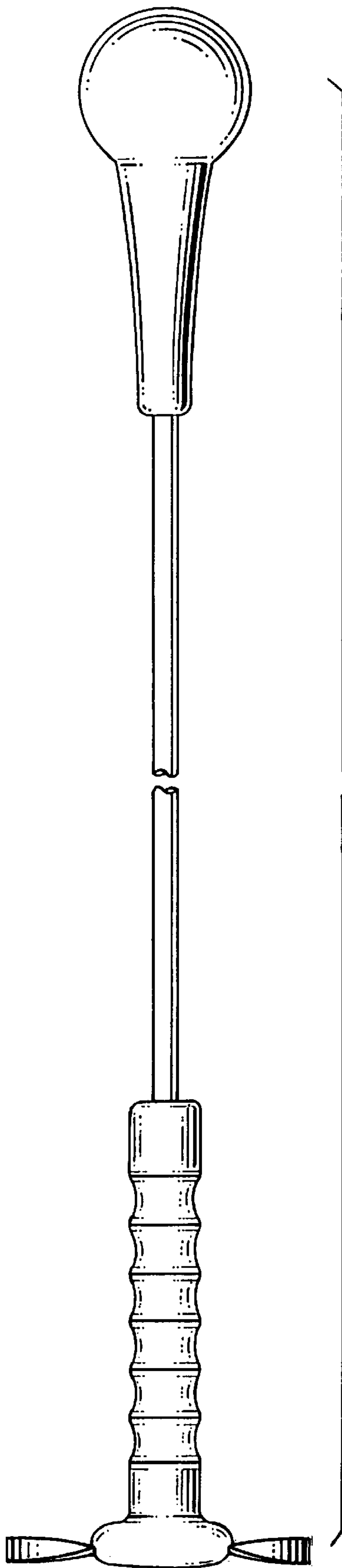


FIG. 5

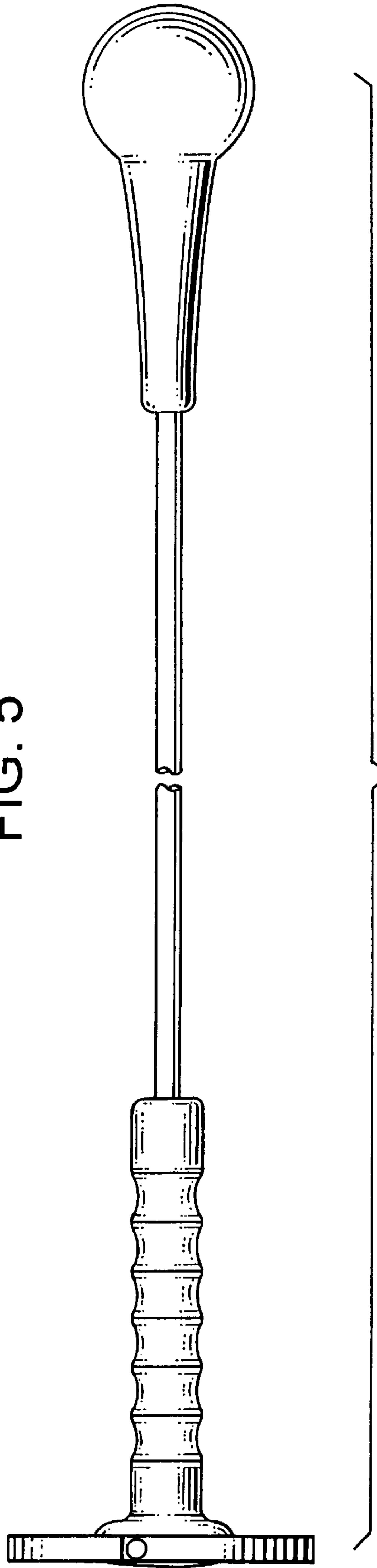


FIG. 6

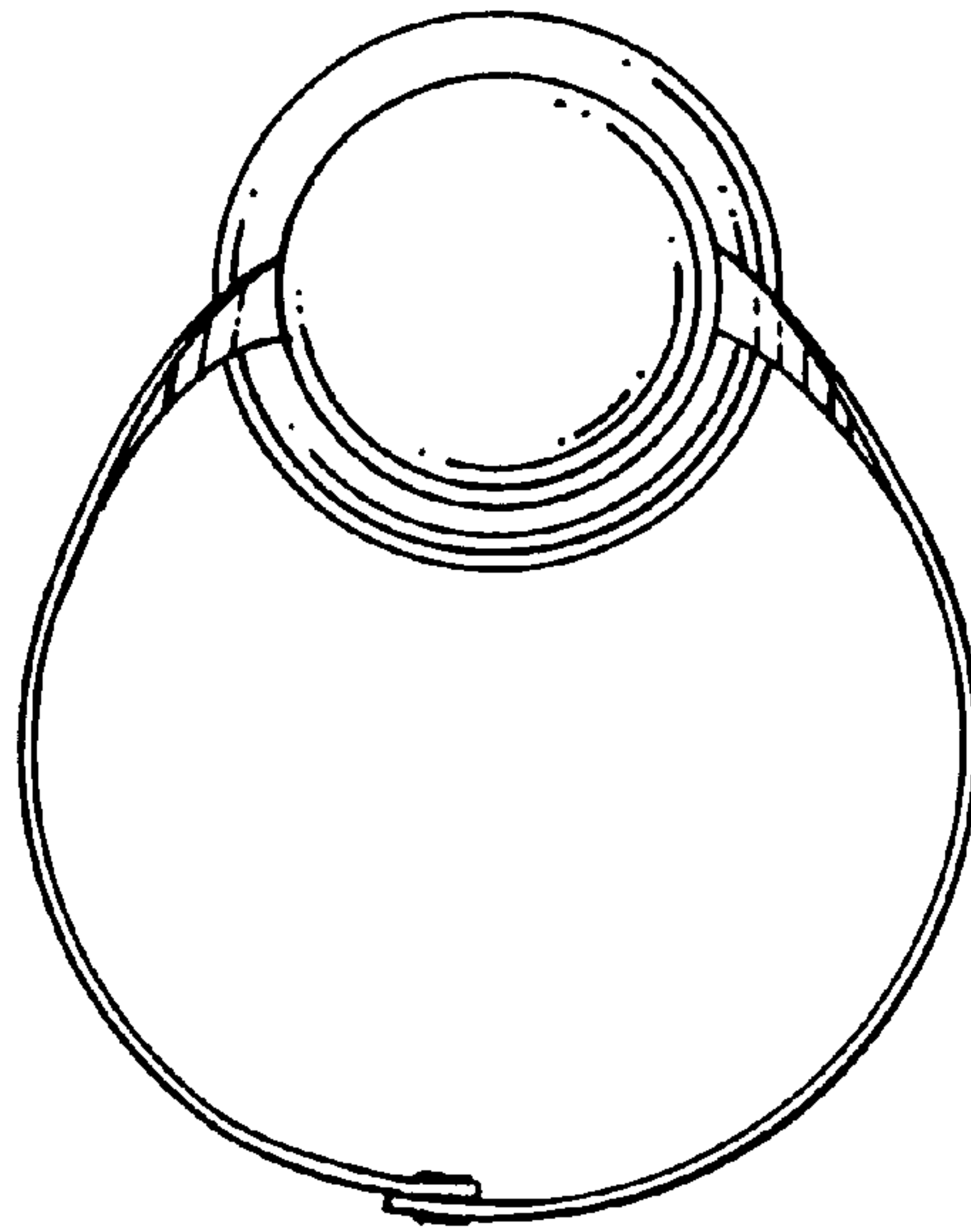


FIG. 7

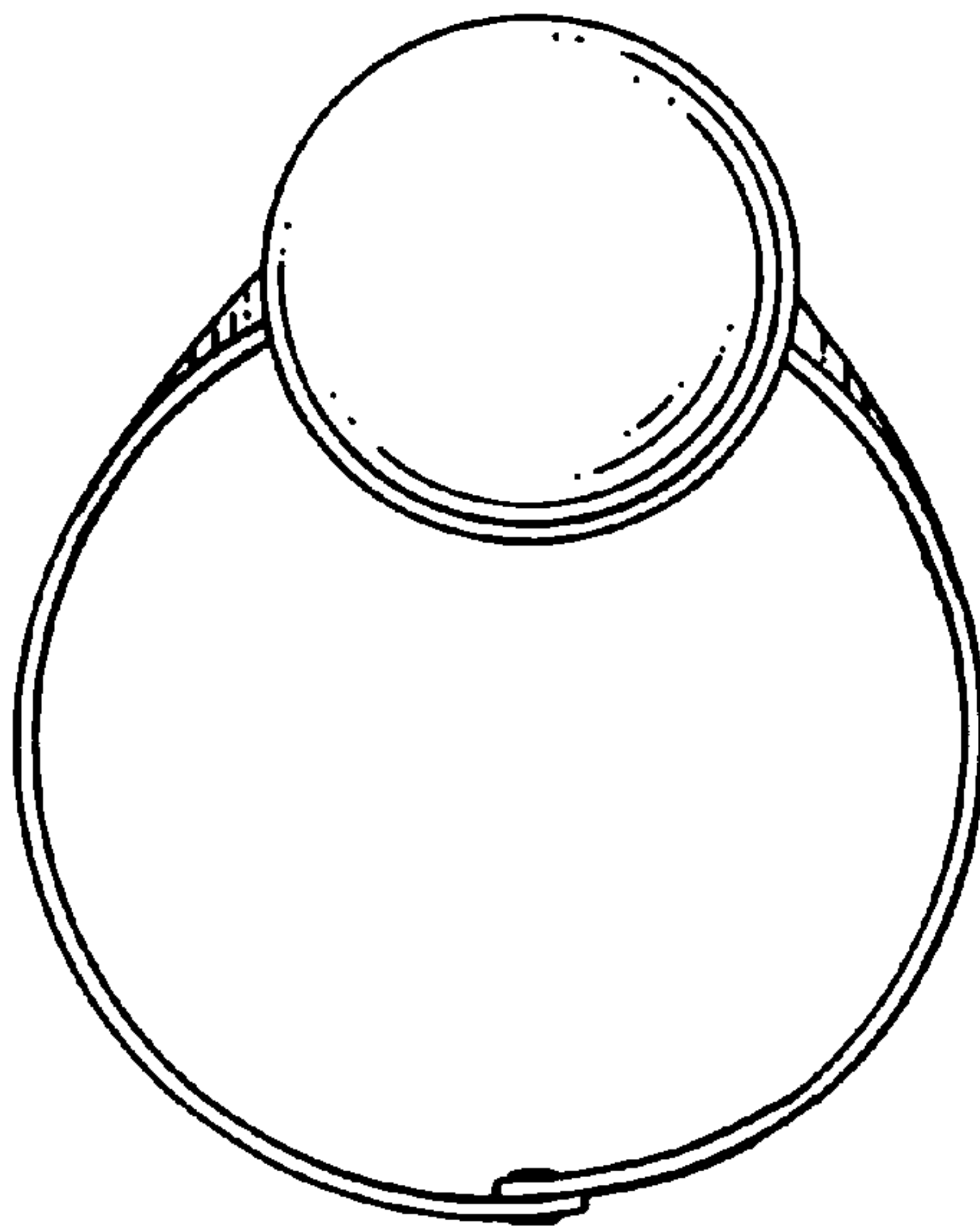


FIG. 8