



US00D413632S

United States Patent [19]
Saunders

[11] **Patent Number: Des. 413,632**

[45] **Date of Patent: ** Sep. 7, 1999**

[54] **CYCLE ADVERTISING DISPLAY**

4,103,924 8/1978 Suhm 116/28 R

[76] Inventor: **Gary C Saunders**, 186-23 Brinkerhoff Ave., St Albans, N.Y. 11412

Primary Examiner—Susan J. Lucas
Assistant Examiner—Jennifer Rivard
Attorney, Agent, or Firm—Schweitzer Cornman Gross & Bondell LLP

[**] Term: **14 Years**

[21] Appl. No.: **29/076,475**

[57] **CLAIM**

[22] Filed: **Sep. 15, 1997**

The ornamental design for a cycle advertising display, as shown and described.

[51] **LOC (6) Cl.** **20-02**

DESCRIPTION

[52] **U.S. Cl.** **D20/41**

[58] **Field of Search** 116/28 R; D10/109, D10/110; D20/10, 42, 43, 19; 40/584, 590, 591; 280/304.4

FIG. 1 is a Front elevational view of a cycle advertising display showing my new design.

FIG. 2 is a Left side elevational view thereof, the right side being a mirror image.

FIG. 3 is a top plan view thereof; and,

FIG. 4 is a side elevational view thereof.

The broken lines are shown for illustrative purposes only and form no part of the claimed design.

[56] **References Cited**

U.S. PATENT DOCUMENTS

D. 234,191	1/1975	Might et al.	D10/109
1,852,315	4/1932	Lamb	40/606
3,099,243	7/1963	Schwartz et al.	116/28 R

1 Claim, 2 Drawing Sheets

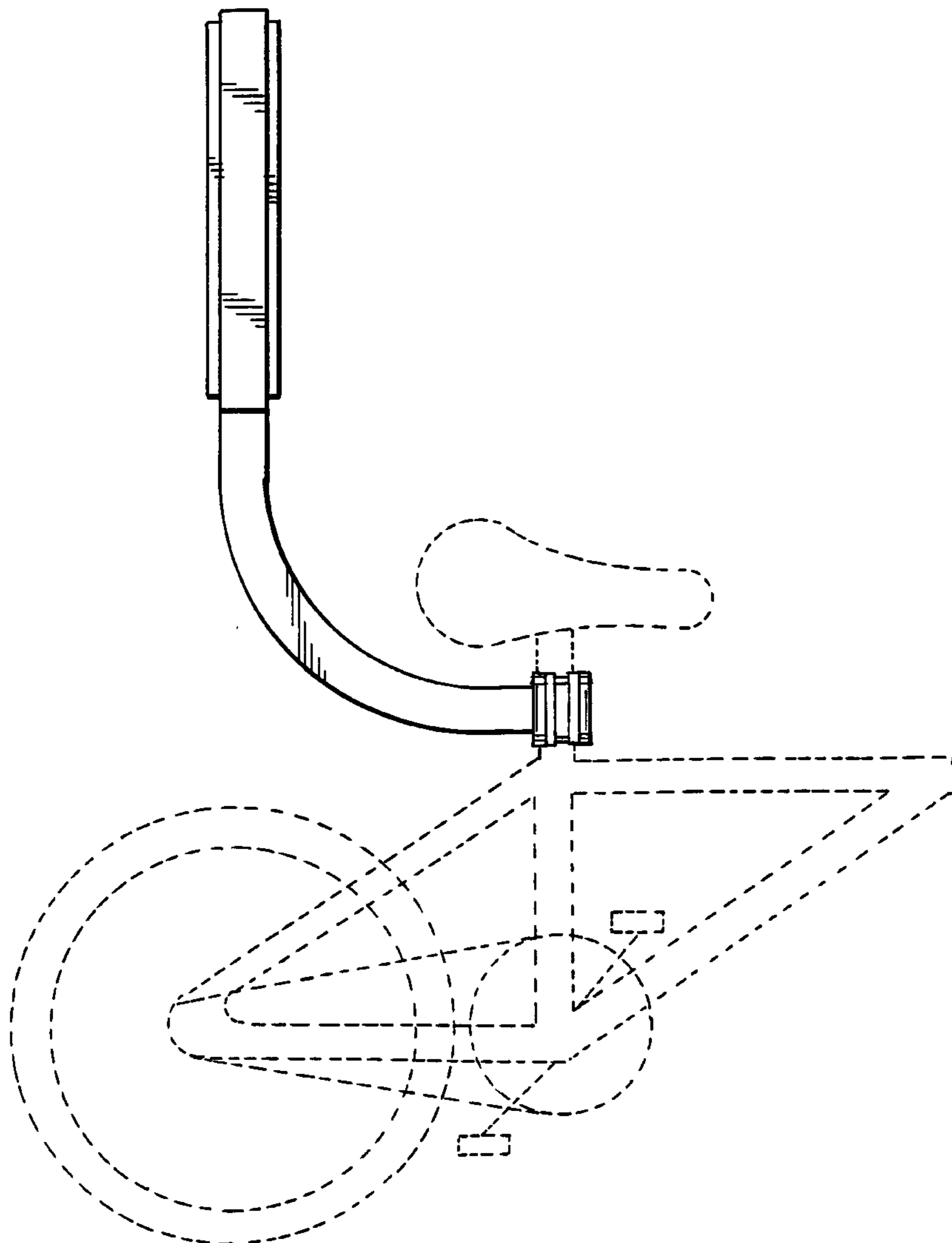


FIG. 2

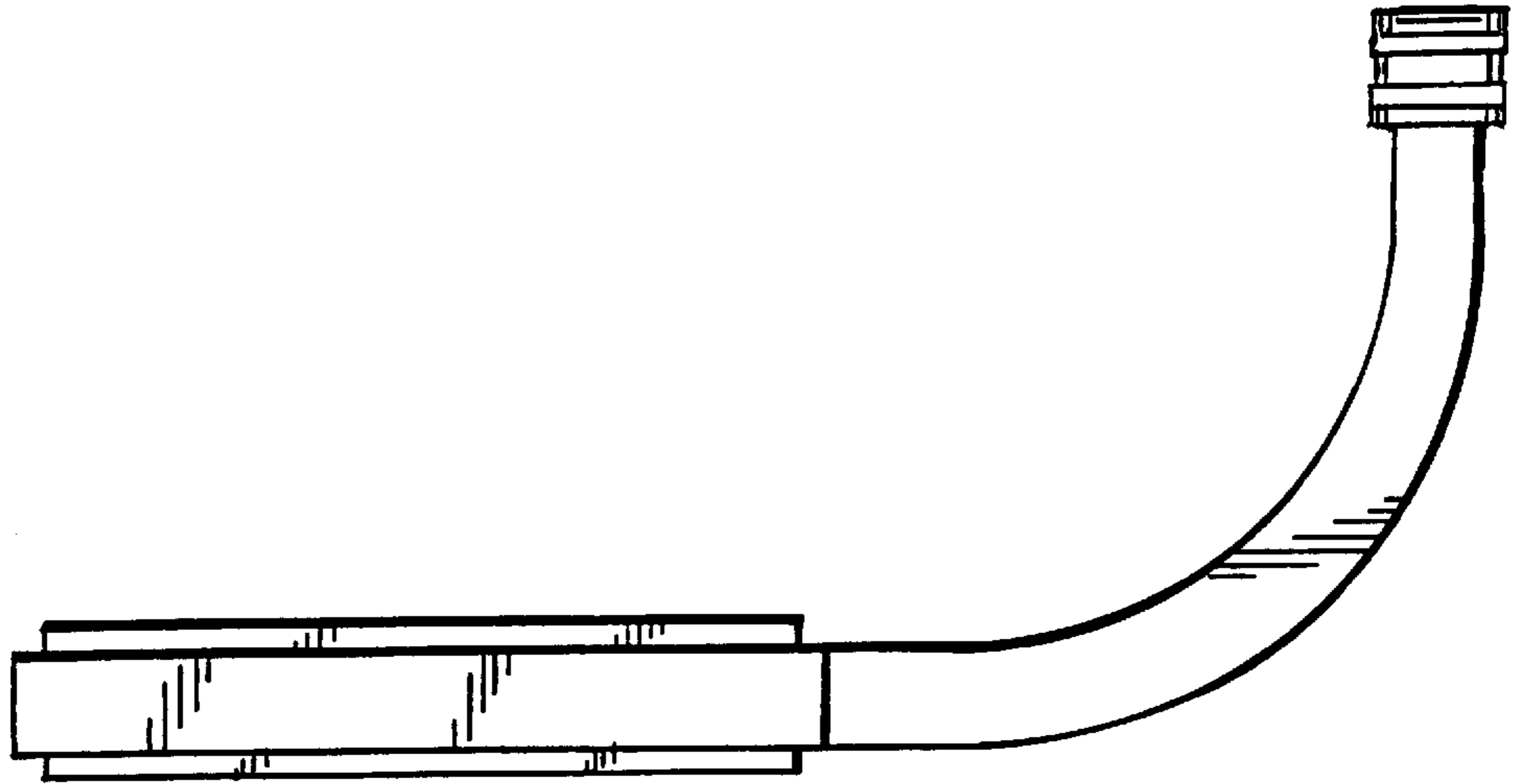


FIG. 1

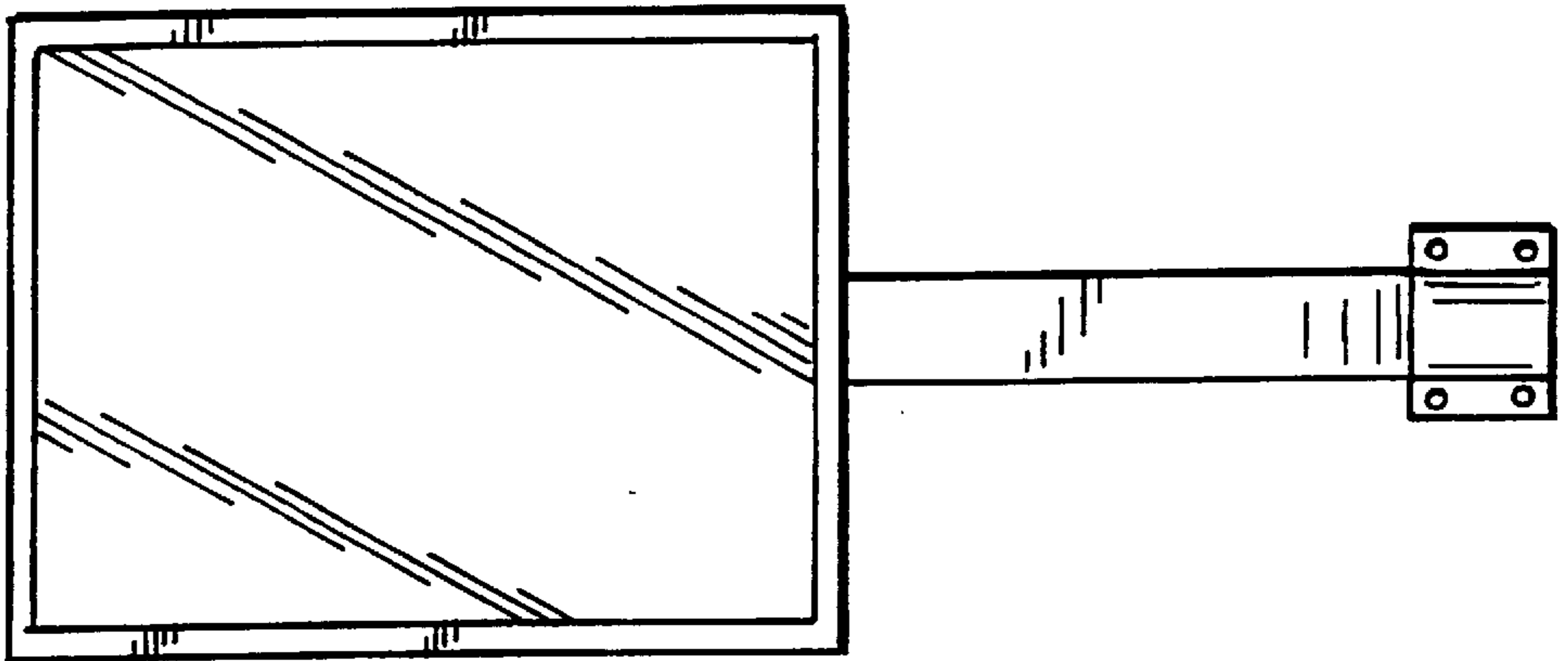


FIG. 4

