



US00D413630S

United States Patent [19] Mandar

[11] **Patent Number: Des. 413,630**

[45] **Date of Patent: ** Sep. 7, 1999**

[54] **ADHESIVE TAPE DISPENSER**

4,780,172 10/1988 Shea 156/527

[76] Inventor: **Martine Mandar**, 54, rue Moxouris,
78150 Le Chesnais, France

Primary Examiner—Martie K. Holtje
Attorney, Agent, or Firm—Staas & Halsey

[**] Term: **14 Years**

[57] CLAIM

[21] Appl. No.: **29/066,120**

The original design for a adhesive tape dispenser, as shown and described.

[22] Filed: **Feb. 4, 1997**

DESCRIPTION

[30] Foreign Application Priority Data

Aug. 5, 1996 [FR] France 96 4562

[51] **LOC (6) Cl.** **19-02**

[52] **U.S. Cl.** **D19/69; D19/67**

[58] **Field of Search** D19/65, 67, 68,
D19/69, 75, 95, 99, 100; 225/6, 7, 19, 24,
25, 34, 35, 45, 56, 65, 77, 89; 156/510,
527, 577, 327; 242/570, 588, 588.6

FIG. 1 is a perspective view of the adhesive tape dispenser showing my new design;

FIG. 2 is a top plan view thereof;

FIG. 3 is a front elevational view thereof;

FIG. 4 is a bottom plan view thereof;

FIG. 5 is a right side elevational view thereof;

FIG. 6 is a left side elevational view thereof;

FIG. 7 is a rear elevational view thereof;

FIG. 8 is a perspective view of the adhesive tape dispenser; and,

FIG. 9 is an exploded perspective view depicting the cover removed from the base.

The tape rolls depicted by means of broken lines in FIGS. 1, 8, and 9 have been shown for illustrative purposes only and form no part of the claimed design.

[56] References Cited

U.S. PATENT DOCUMENTS

D. 157,219	2/1950	Vavrik	D19/69
D. 214,405	6/1969	Fleming	D19/69
D. 228,815	10/1973	Campbell, Jr.	D19/69
D. 310,846	9/1990	Sakurai	D19/67 X
D. 330,727	11/1992	Wehrle	D19/67 X

1 Claim, 4 Drawing Sheets

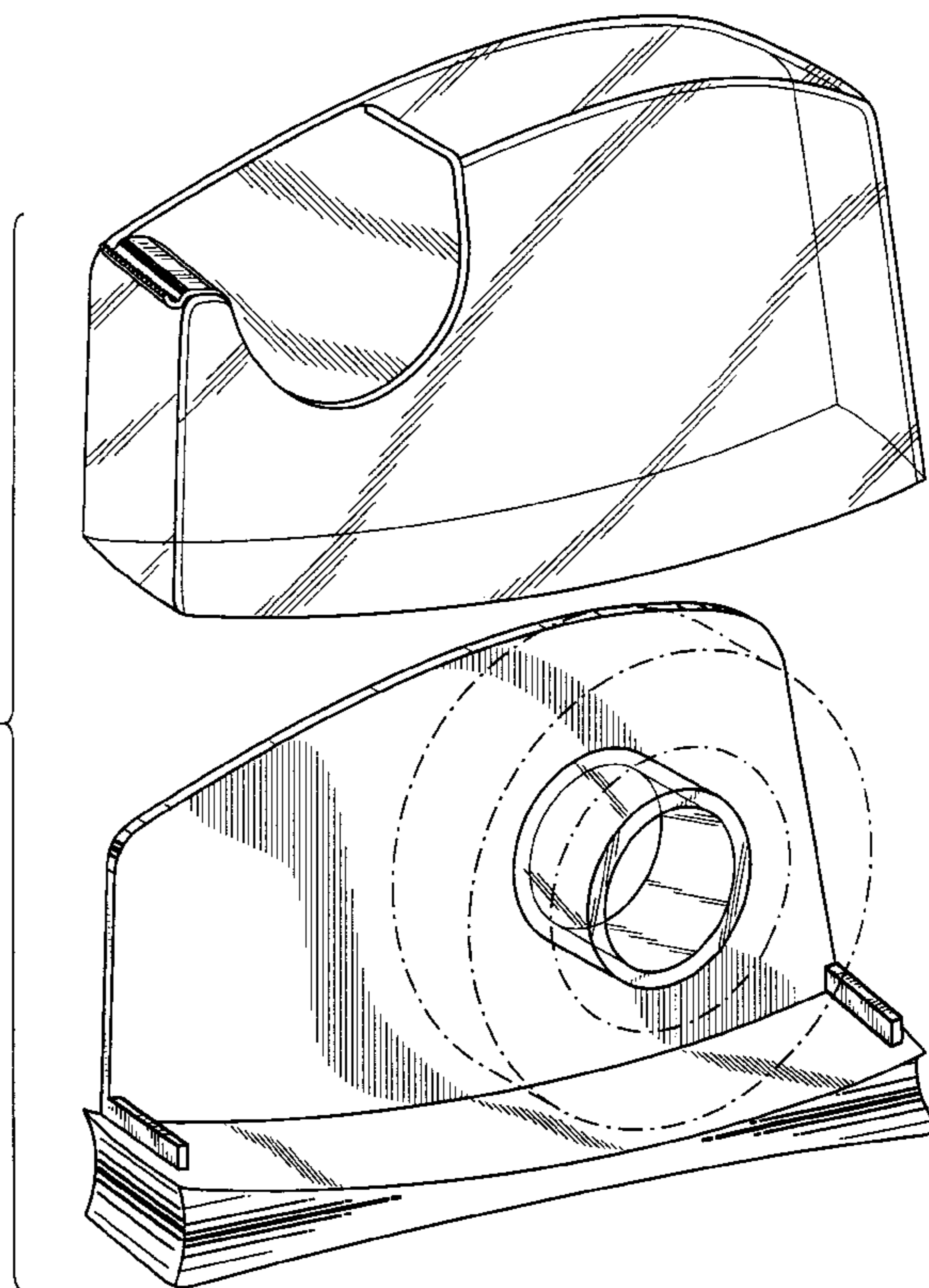
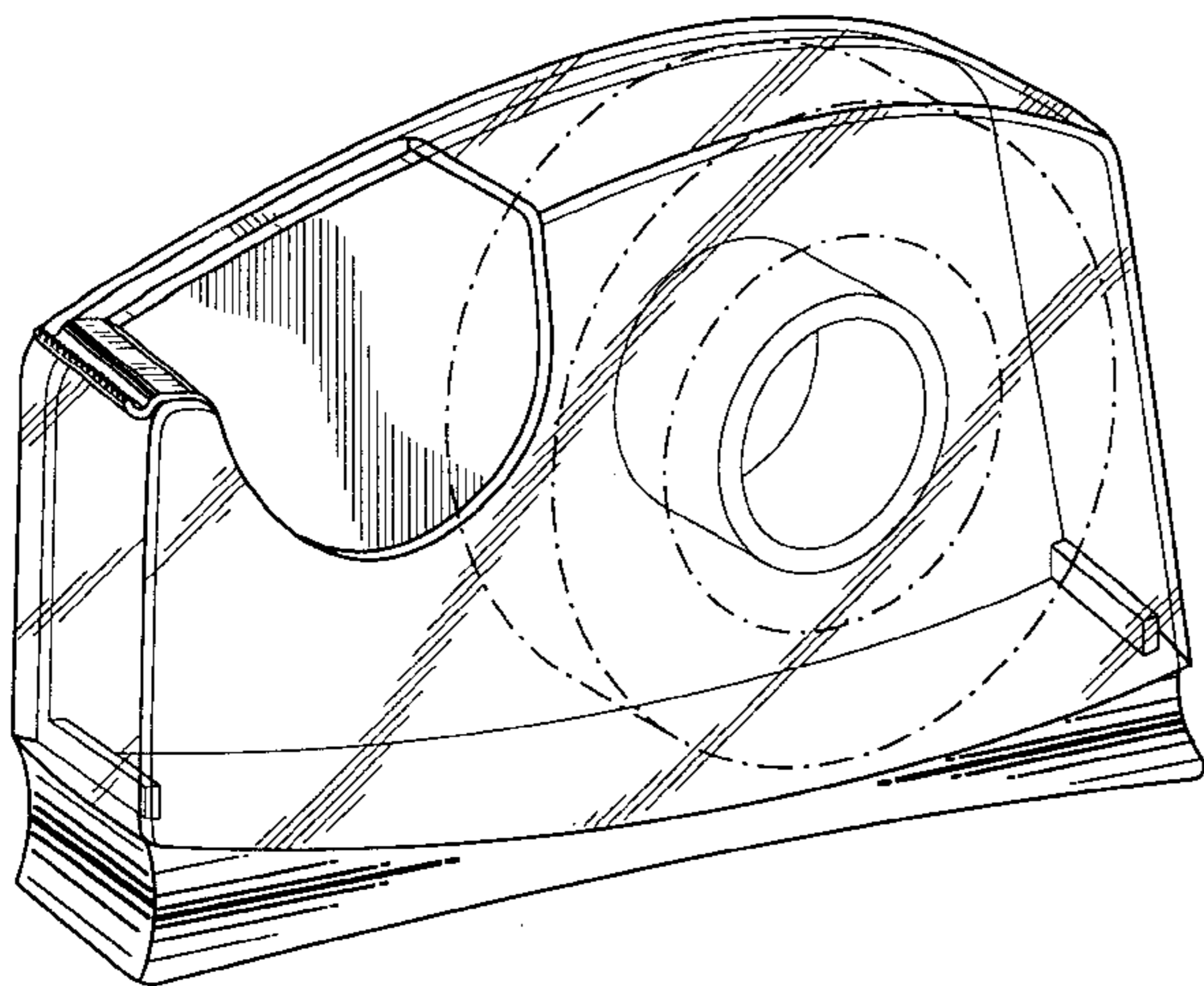


FIG. 1

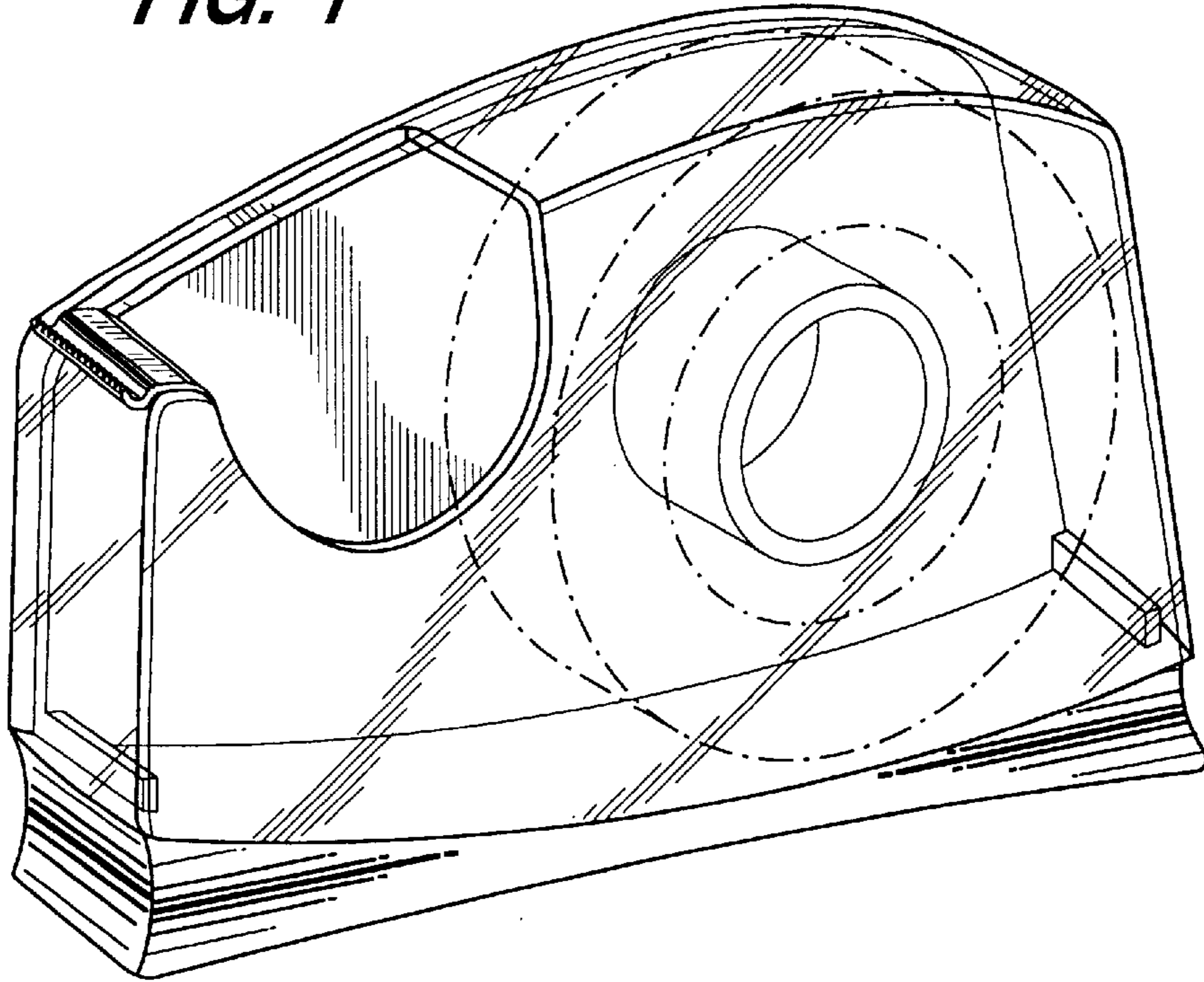


FIG. 2

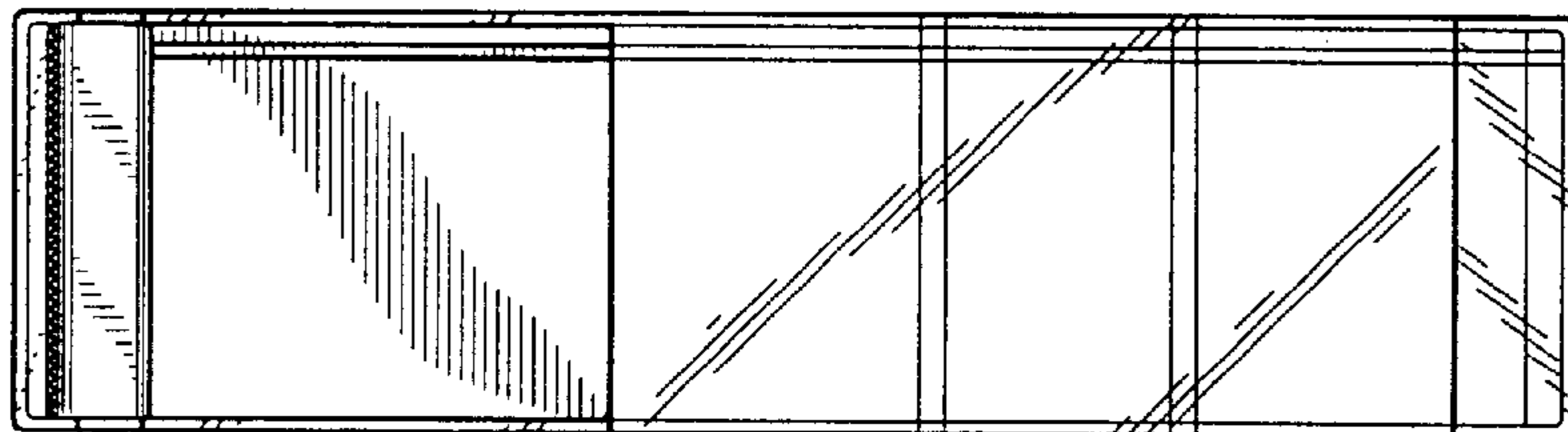


FIG. 4

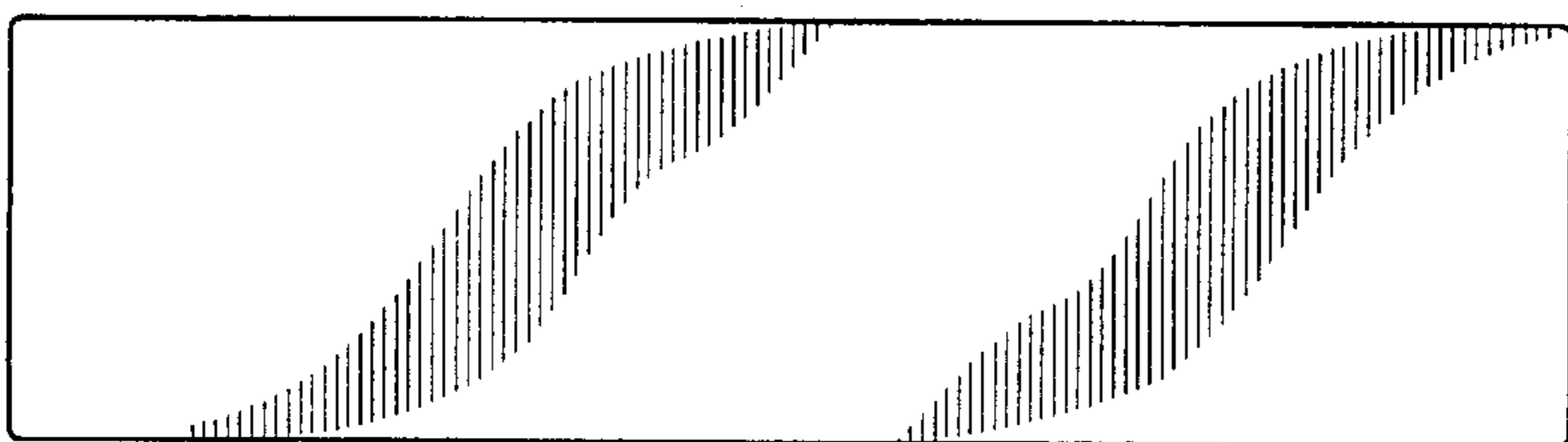


FIG. 3

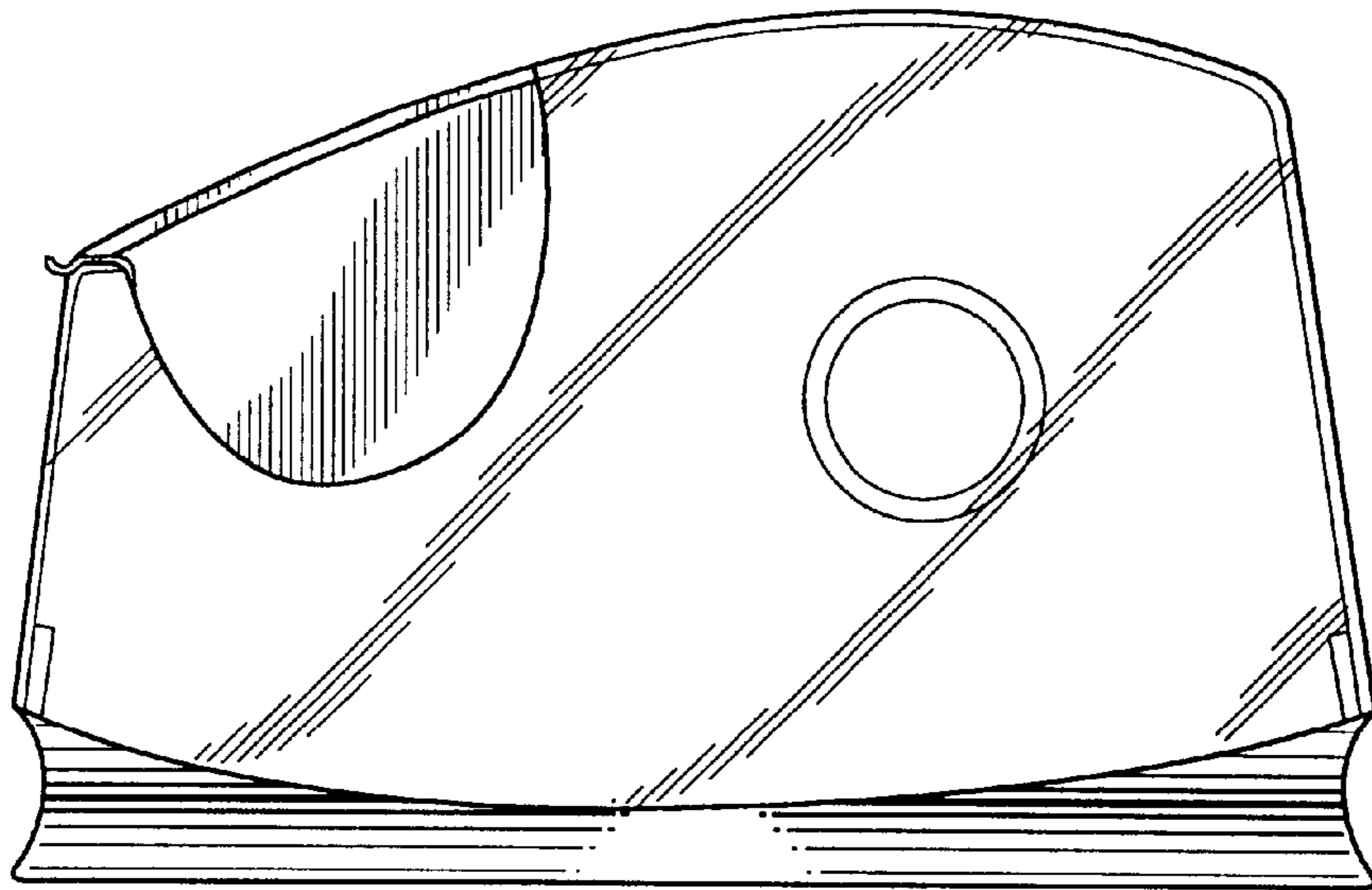


FIG. 7

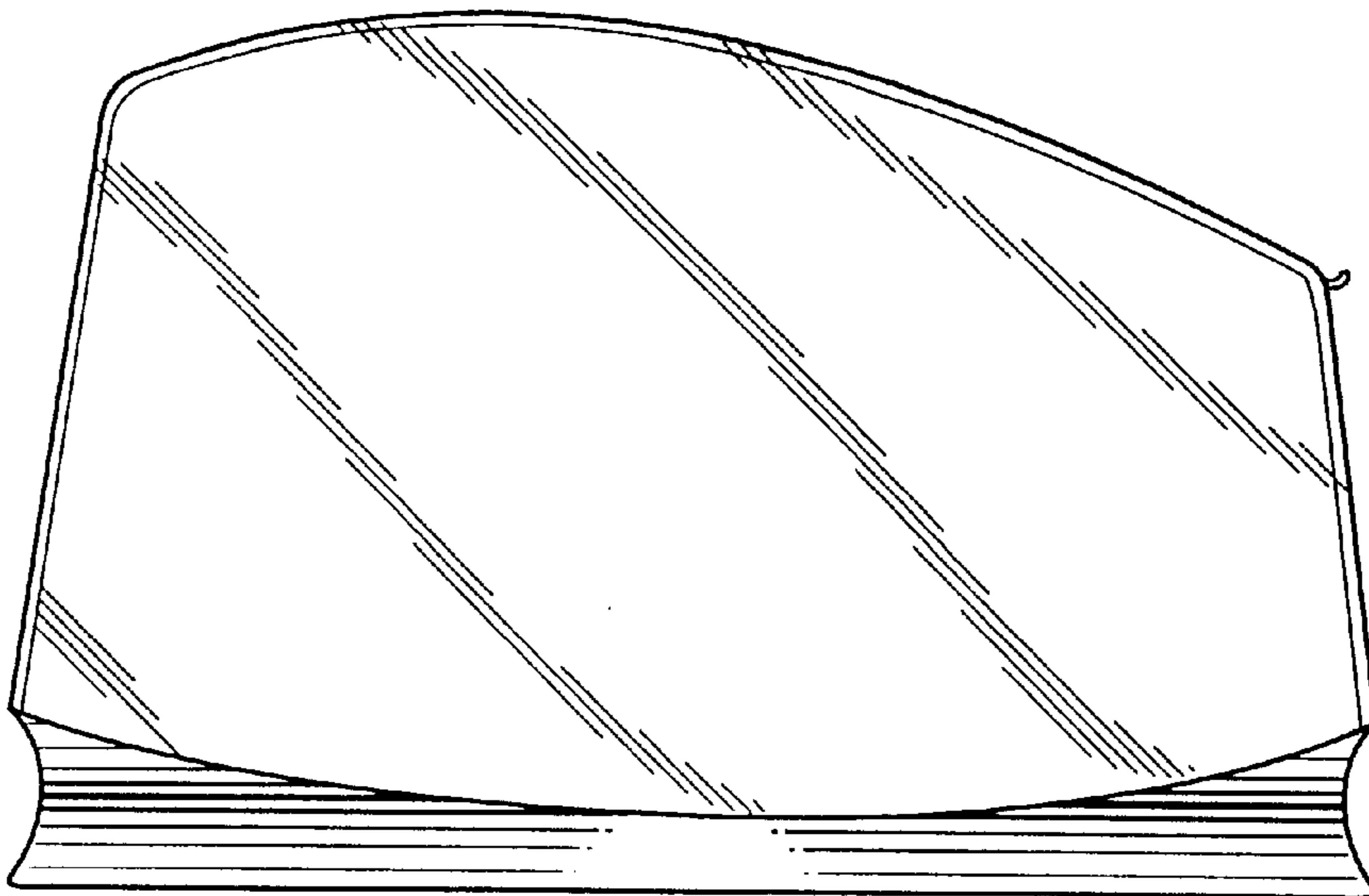


FIG. 6

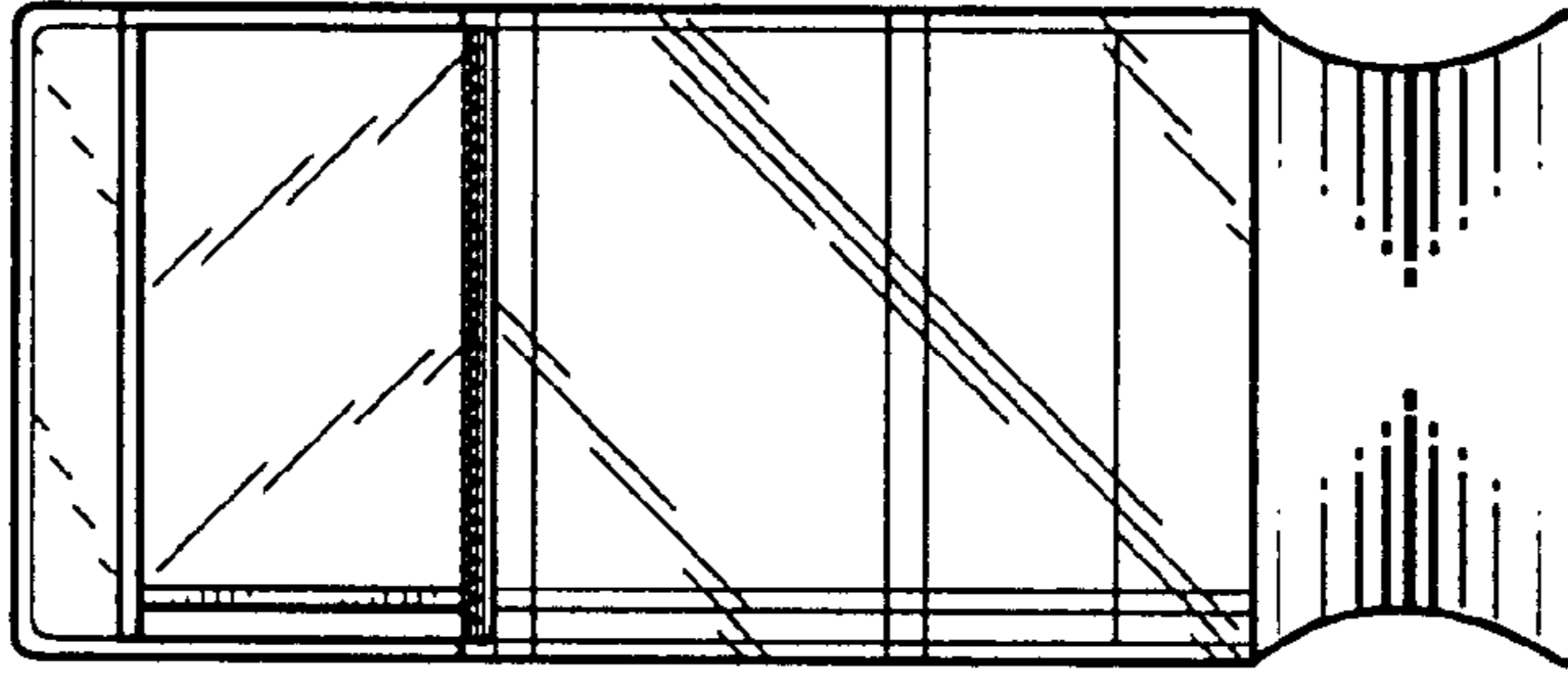


FIG. 5

