



US00D413625S

United States Patent [19]

[11] Patent Number: Des. 413,625

Brown et al.

[45] Date of Patent: ** *Sep. 7, 1999

[54] SOLID INK STICK FOR A COLOR PRINTER

[75] Inventors: David L. Brown, Milwaukie, Oreg.; Penelope C. Yao, Evanston, Ill.; Henry Y. Chin, Portland, Oreg.

[73] Assignee: Tektronix, Inc., Wilsonville, Oreg.

[*] Notice: This patent is subject to a terminal disclaimer.

[**] Term: 14 Years

[21] Appl. No.: 29/081,553

[22] Filed: Jan. 6, 1998

Related U.S. Application Data

[62] Division of application No. 29/067,477, Mar. 10, 1997, Pat. No. Des. 403,699.

[51] LOC (6) Cl. 18-02

[52] U.S. Cl. D18/56

[58] Field of Search D18/56, 43; 347/86-88, 347/43, 99, 32, 33; 106/270, 31.31, 31.62, 31.63, 31.13, 31.29, 31.61

References Cited

U.S. PATENT DOCUMENTS

- D. 212,542 10/1968 McCarthy .
- D. 300,673 4/1989 Rhoa et al. .
- D. 310,130 8/1990 van Kooten .
- D. 335,683 5/1993 Smith .
- D. 346,821 5/1994 Smith .
- D. 371,801 7/1996 Jones et al. .
- D. 371,802 7/1996 Jones et al. .
- D. 372,268 7/1996 Jones et al. .

- D. 372,270 7/1996 Jones et al. .
- D. 373,139 8/1996 Jones et al. .
- D. 380,771 7/1997 Jones D18/56
- D. 383,153 9/1997 Jones et al. .
- D. 383,154 9/1997 Jones et al. .
- 4,823,146 4/1989 Cooke et al. .
- 4,851,045 7/1989 Taniguchi 106/31.31
- 5,223,860 6/1993 Loofbourow et al. .
- 5,510,821 4/1996 Jones et al. .
- 5,624,483 4/1997 Fujioka 106/31.29
- 5,734,402 3/1998 Rousseau 347/88

FOREIGN PATENT DOCUMENTS

564742A2 12/1992 European Pat. Off. .

OTHER PUBLICATIONS

Copy of Specification and Drawings of Application Serial No. 29/067,476.

Primary Examiner—Cathy Anne MacCormac
Attorney, Agent, or Firm—Ralph D'Alessandro

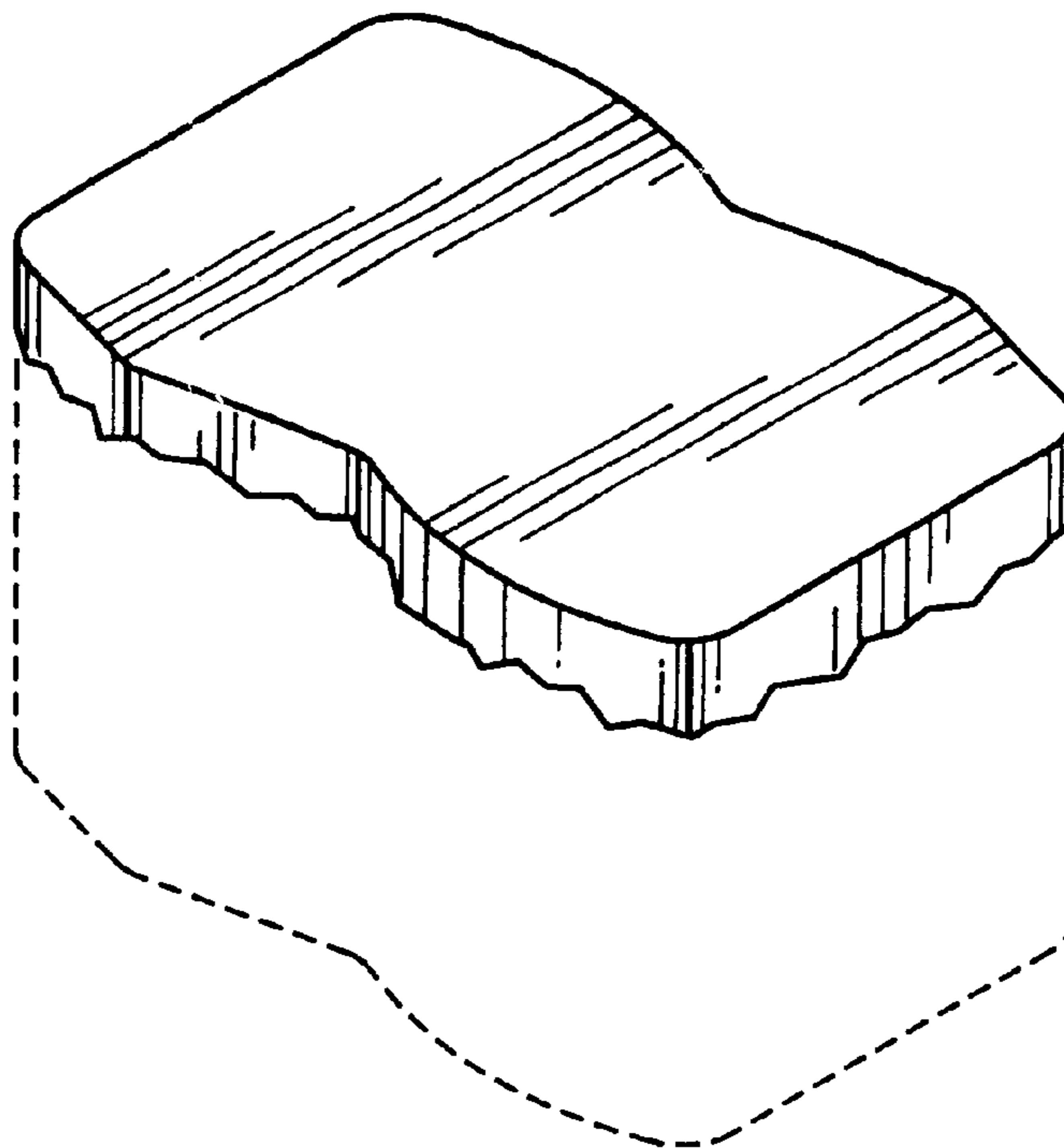
[57] CLAIM

The ornamental design for a solid ink stick for a color printer, as shown and described.

DESCRIPTION

FIG. 1 is a perspective view of a solid ink stick for a color printer showing the top surface; FIG. 2 is a top plan view thereof; FIG. 3 is a side elevational view thereof, the opposite side being identical; and, FIG. 4 is an end elevational view thereof, the opposite side being identical. The broken line portions of FIGS. 1, 3 and 4 are for purposes of illustration only and form no part of the claimed design.

1 Claim, 1 Drawing Sheet



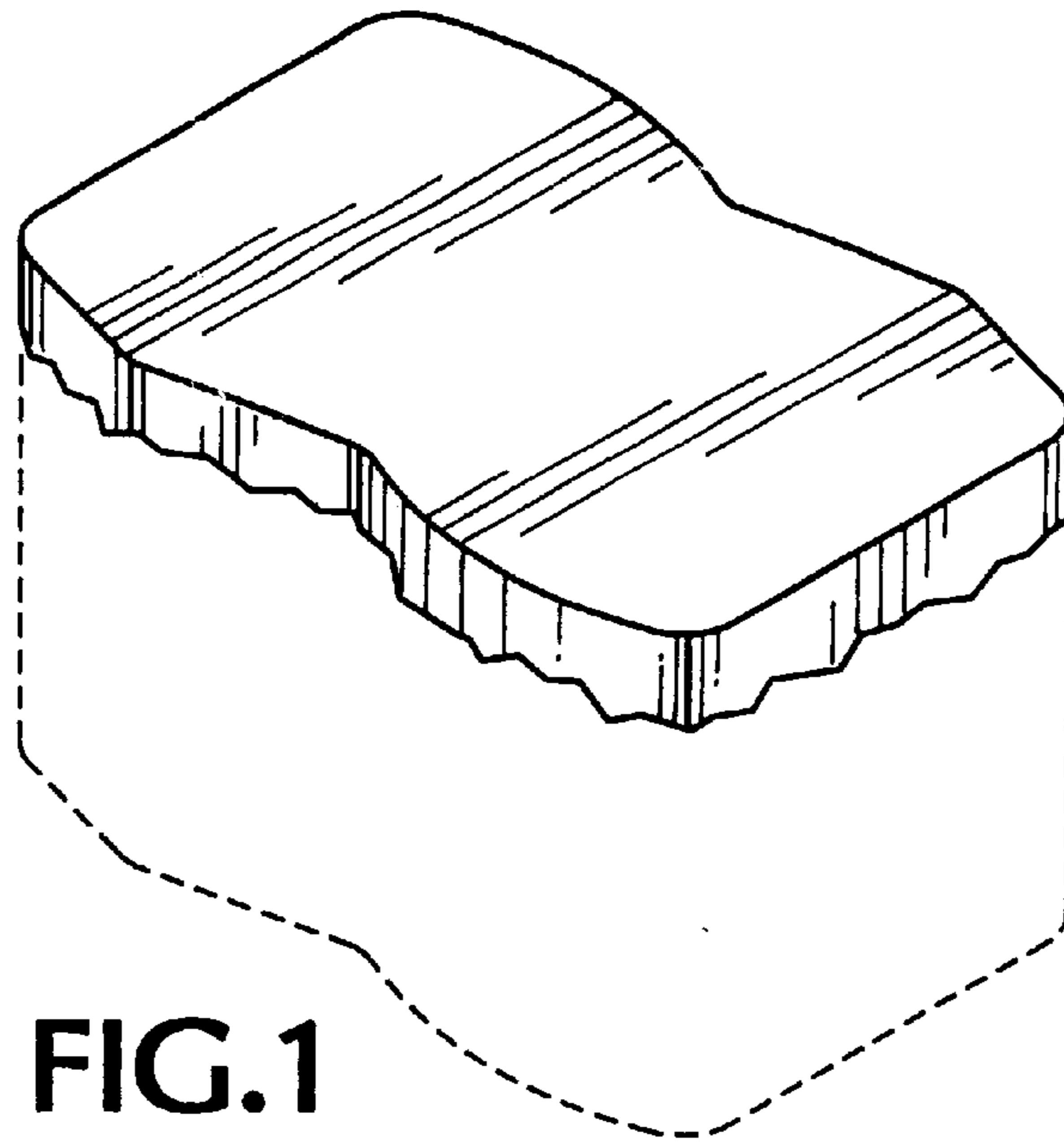


FIG. 1

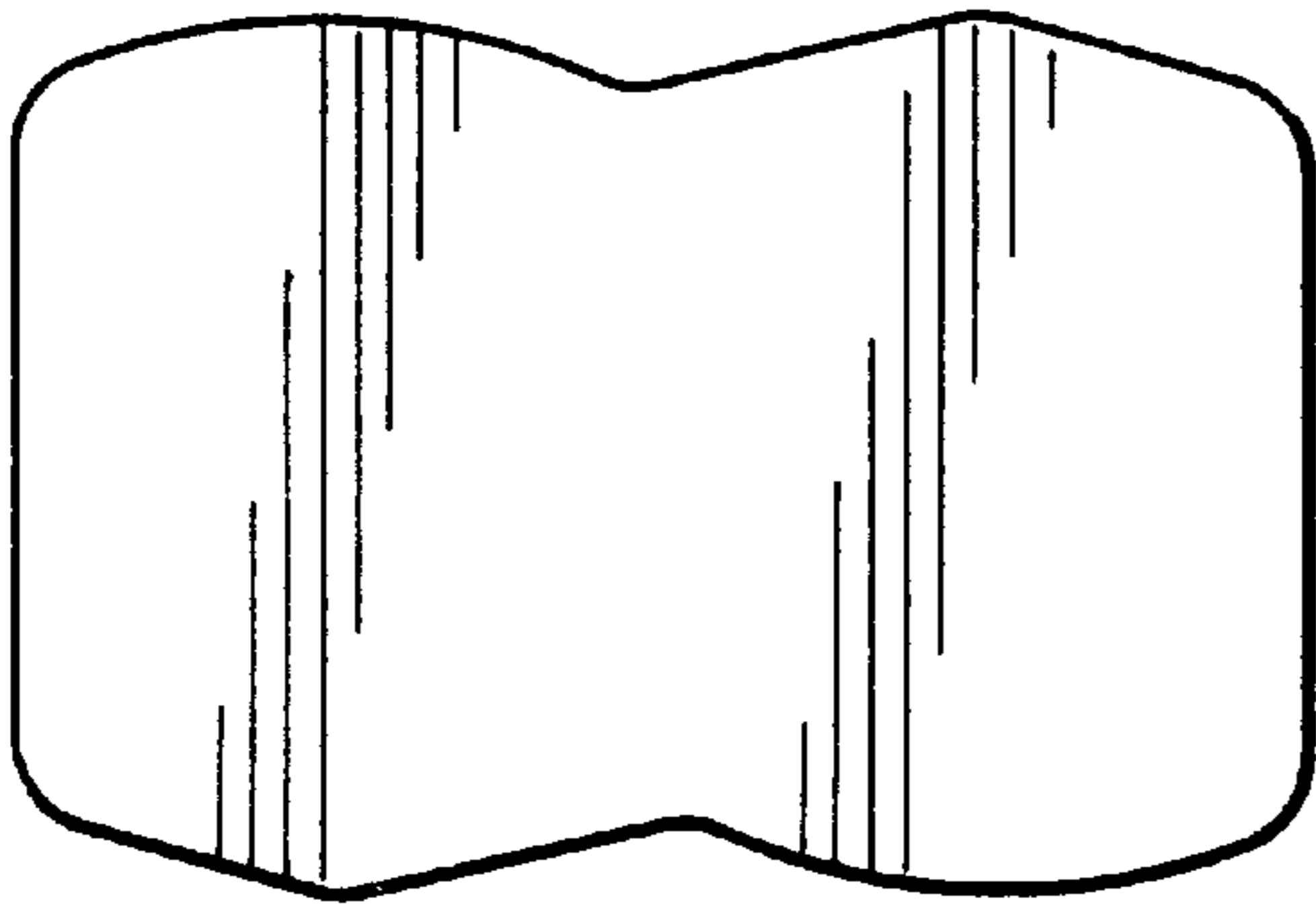


FIG. 2

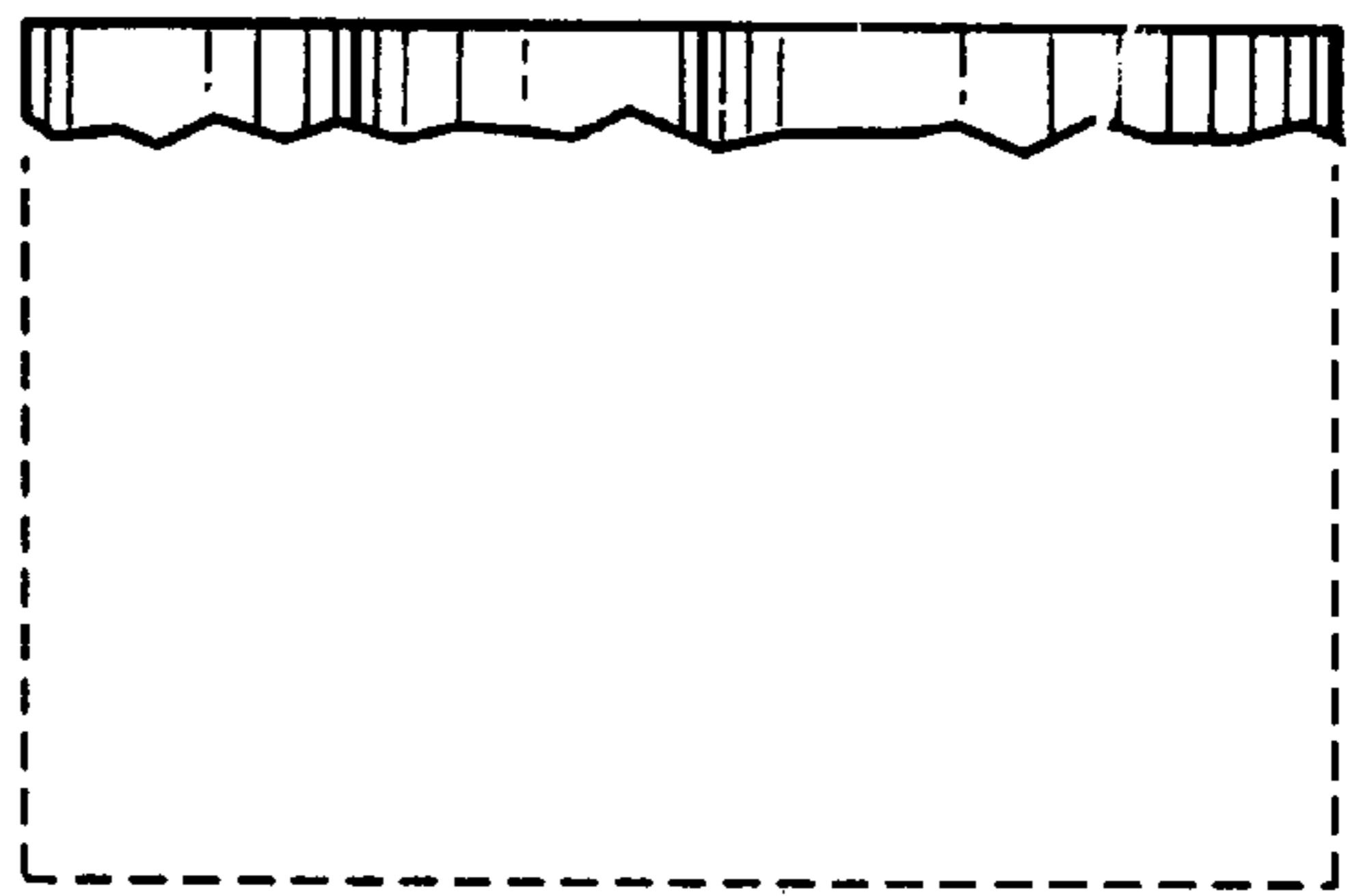


FIG. 3

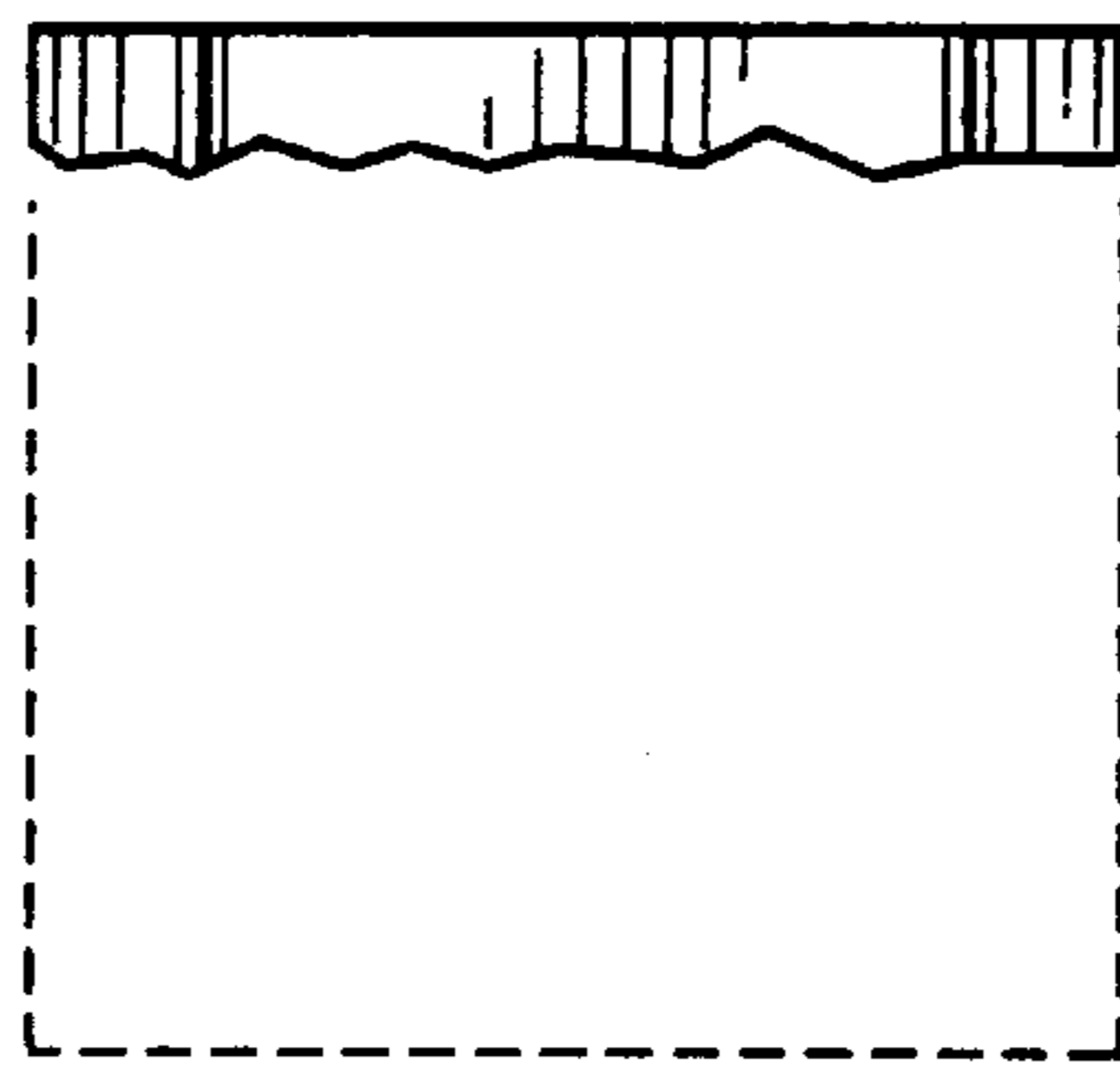


FIG. 4