



US00D413624S

United States Patent [19]
Beckstrom et al.

[11] **Patent Number: Des. 413,624**

[45] **Date of Patent: ** Sep. 7, 1999**

[54] **MAIL PREPARATION SYSTEM**

D. 327,906 7/1992 Pike et al. D18/51
D. 358,415 5/1995 Klein D18/51

[75] Inventors: **David W. Beckstrom**, Fairfield;
Charles W. Klein, Stratford; **Douglas G. Long**, Naugatuck; **Michael D. O'Hare**, Fairfield; **Paul W. Porter**, Southbury, all of Conn.

Primary Examiner—Antoine Duval Davis
Attorney, Agent, or Firm—Karin A. Russo; Melvin J. Scolnick

[73] Assignee: **Pitney Bowes Inc.**, Stamford, Conn.

[**] Term: **14 Years**

[57] **CLAIM**

The ornamental design for a mail preparation system, as shown and described.

[21] Appl. No.: **29/056,771**

DESCRIPTION

[22] Filed: **Jul. 9, 1996**

[51] **LOC (6) Cl.** **18-02**

[52] **U.S. Cl.** **D18/51**

[58] **Field of Search** D18/51; 101/91,
101/92, 93; 209/900; 271/10, 11, 185, 225,
227, 258; 364/464.02

FIG. 1 is a top, front and right side perspective view of a mail preparation system which incorporates the new design; FIG. 2 is a top plan view thereof; FIG. 3 is a front elevational view thereof; FIG. 4 is a left side view thereof; FIG. 5 is a right side view thereof; and, FIG. 6 is a rear elevational view thereof.

[56] **References Cited**

U.S. PATENT DOCUMENTS

D. 243,712 3/1977 Morris et al. D18/51

1 Claim, 5 Drawing Sheets

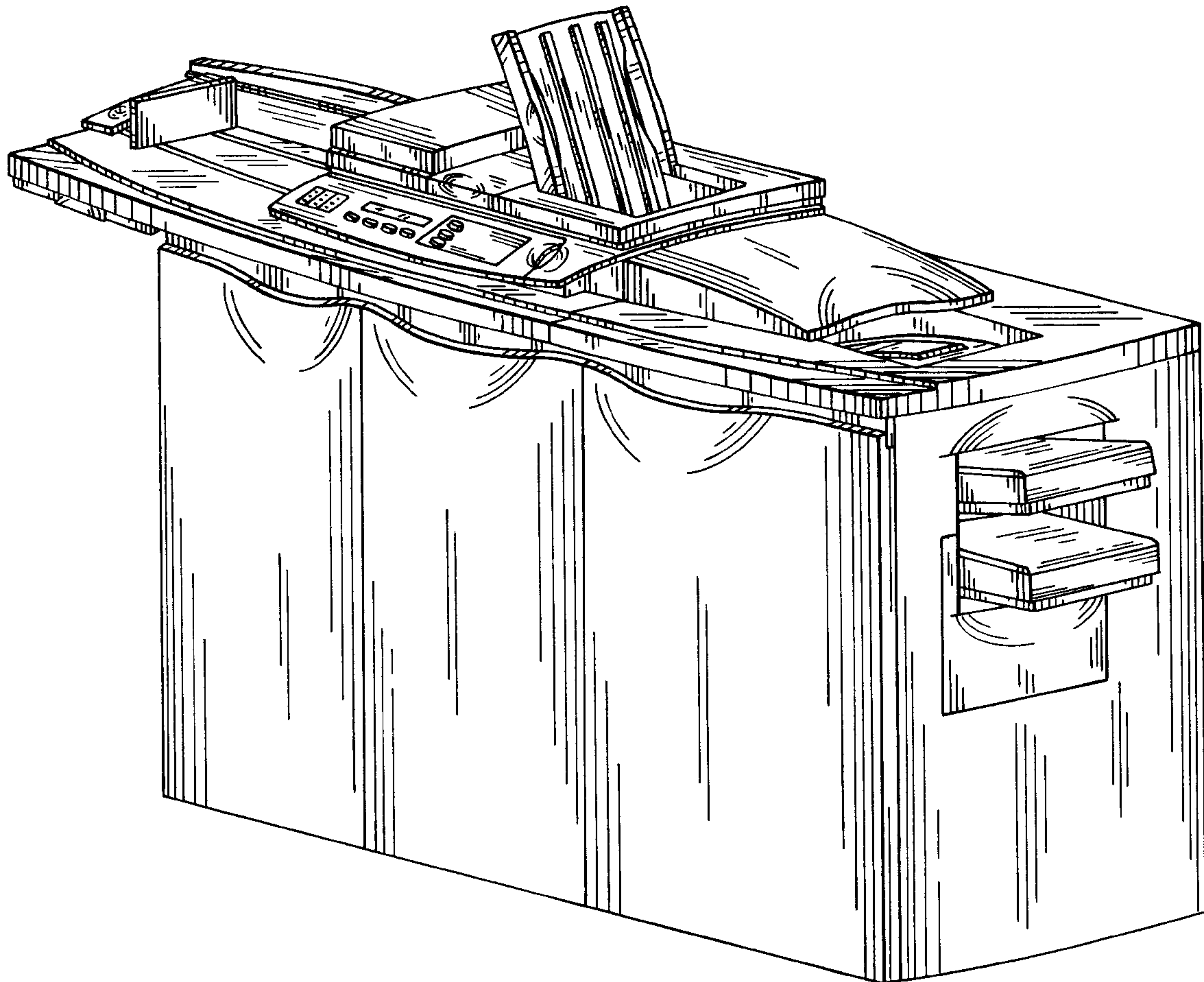


FIG. 1

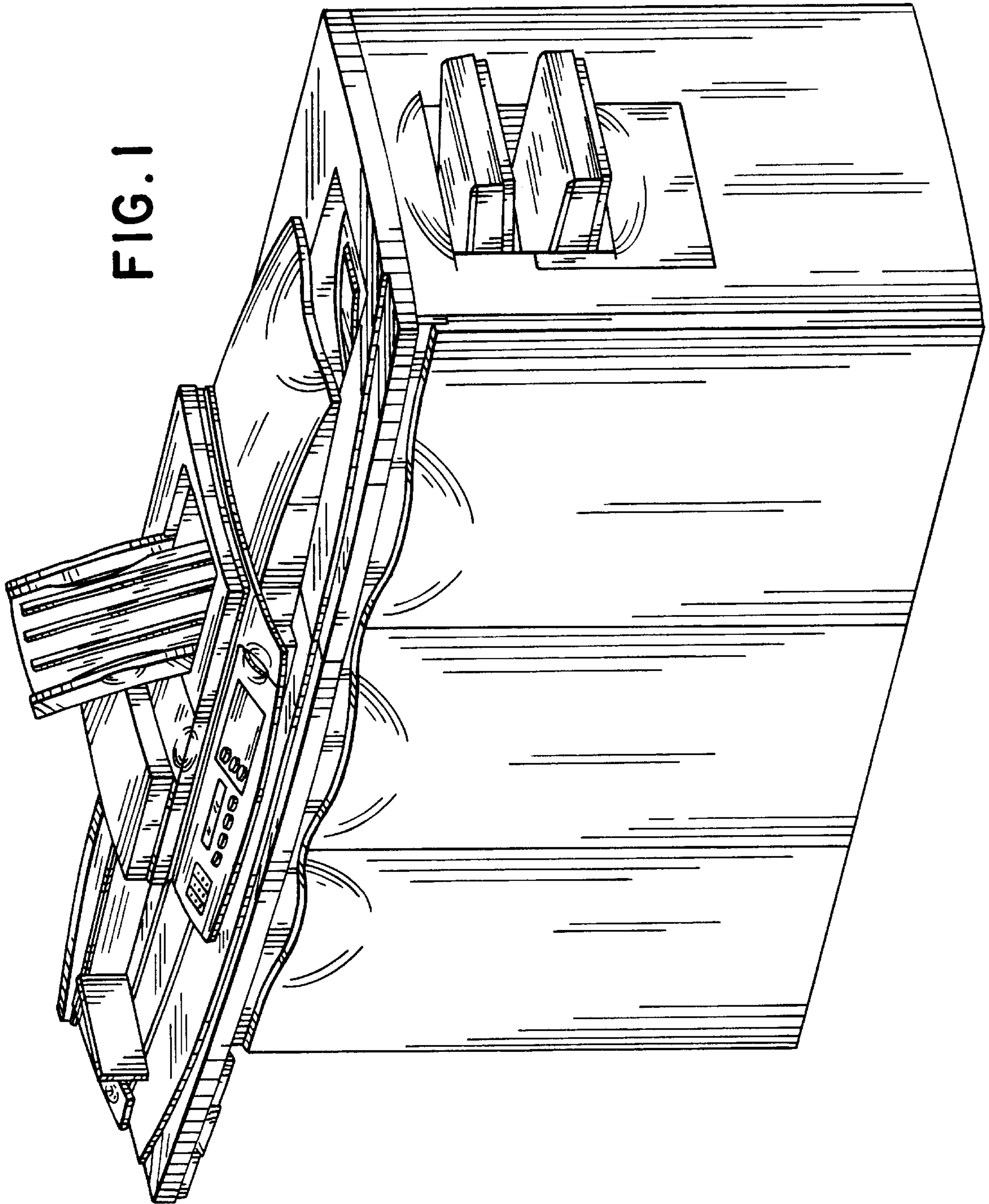


FIG. 2

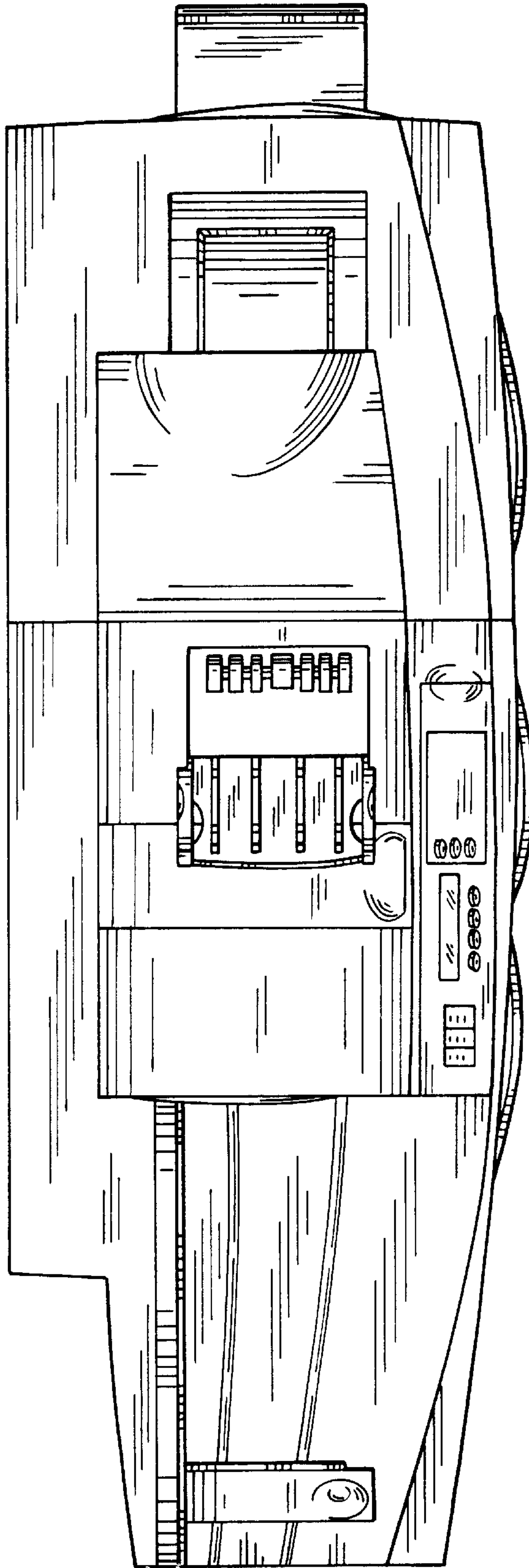


FIG. 3

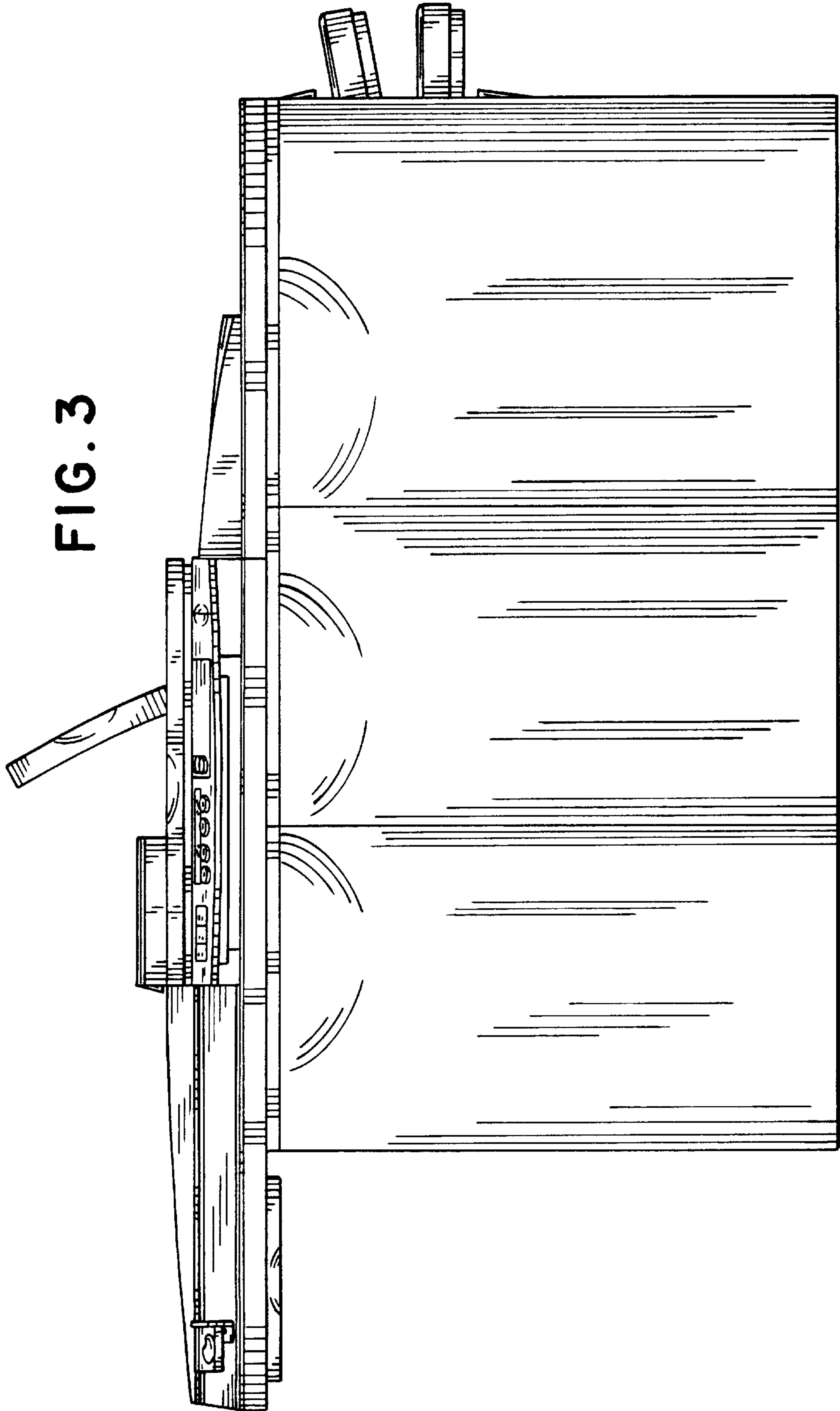


FIG. 5

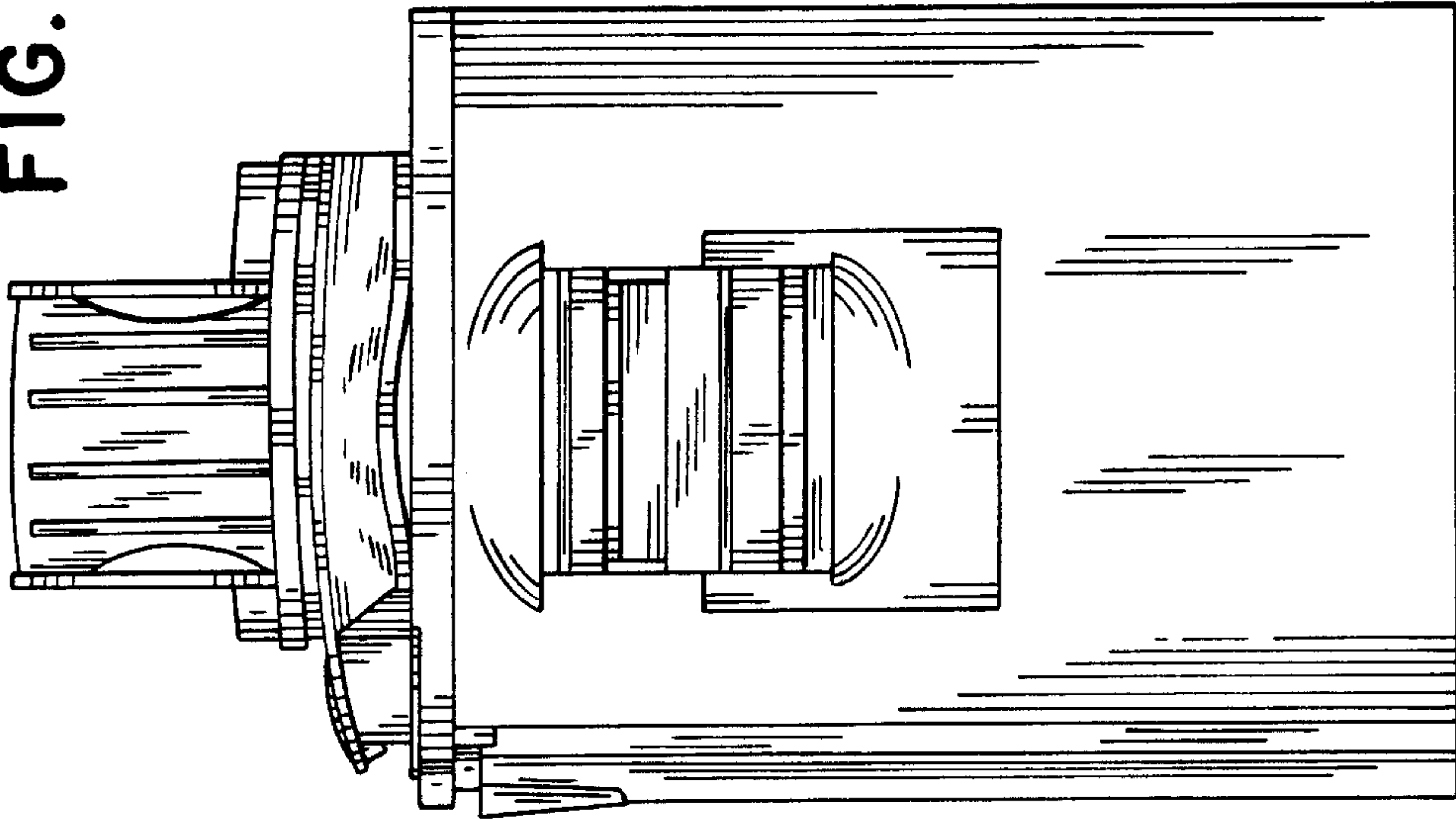


FIG. 4

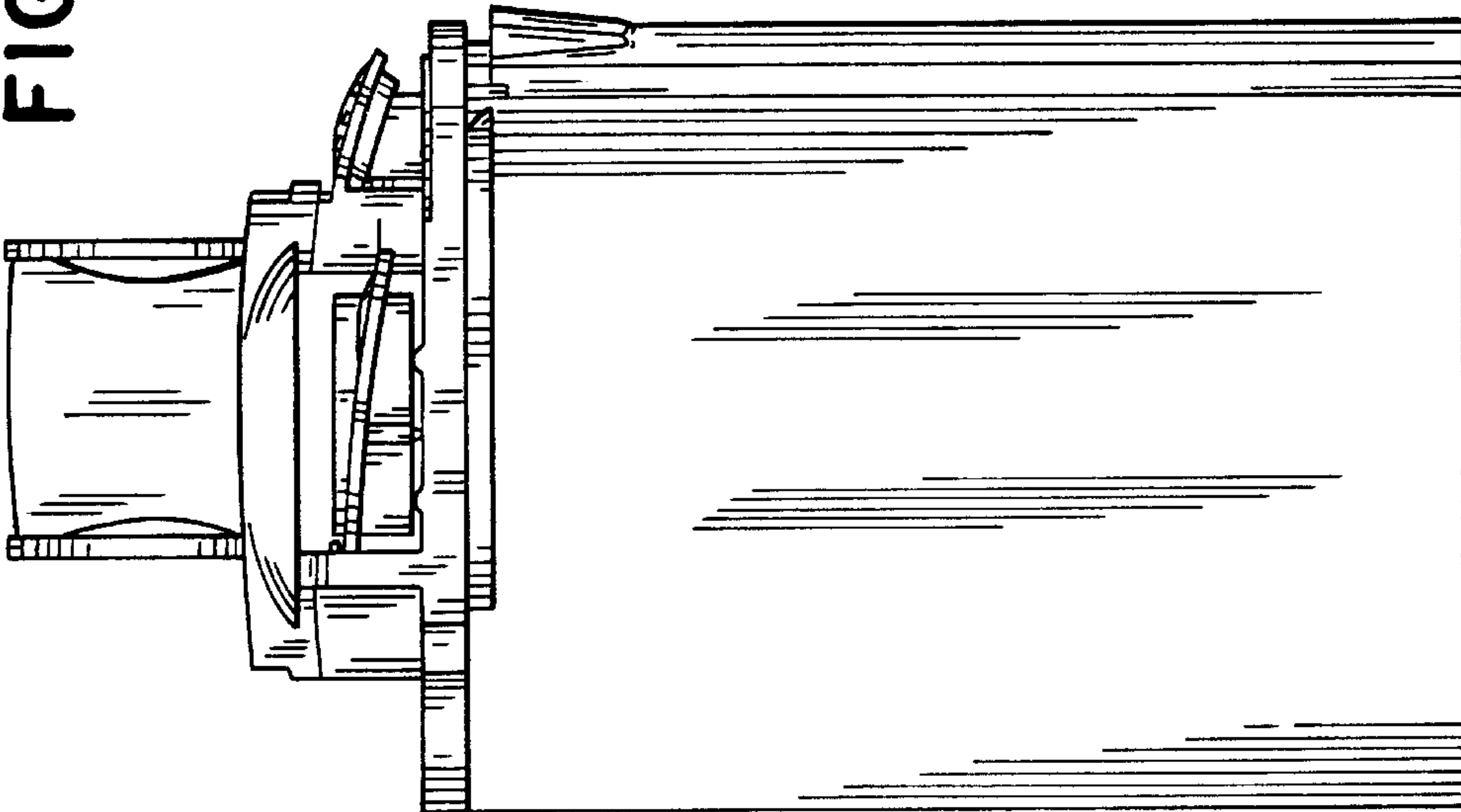


FIG. 6

