



US00D413622S

United States Patent [19]

Brown et al.

[11] Patent Number: **Des. 413,622**

[45] Date of Patent: **** Sep. 7, 1999**

[54] **AUXILIARY SHEET FEEDER FOR AN INKJET PRINTER**

D. 368,273 3/1996 Dubson D18/49
D. 369,824 5/1996 Miyamoto D18/49

[75] Inventors: **Stephen G Brown**, Vancouver, Wash.; **Angela Chen**, Portland, Oreg.; **Dean A Gaylor**; **Michael S Millman**, both of Vancouver, Wash.; **Paul M O'Brien**, Veradale, Wash.

Primary Examiner—Caron D. Veynar
Attorney, Agent, or Firm—Flory L. Martin

[73] Assignee: **Hewlett-Packard Company**, Palo Alto, Calif.

[57] **CLAIM**

The ornamental design for an auxiliary sheet feeder for an inkjet printer, as shown and described.

[**] Term: **14 Years**

DESCRIPTION

[21] Appl. No.: **29/078,784**

FIG. 1 is a perspective view of an auxiliary sheet feeder for an inkjet printer in accordance with the present invention; FIG. 2 is a top plan view thereof; FIG. 3 is a front elevational view thereof; FIG. 4 is a left side elevational view thereof; FIG. 5 is a rear elevational view thereof; FIG. 6 is a right side elevational view thereof; and, FIG. 7 is a bottom plan view thereof.

[22] Filed: **Oct. 31, 1997**

[51] **LOC (6) Cl.** **18-99**

[52] **U.S. Cl.** **D18/49; D18/44; D18/56**

[58] **Field of Search** **D18/36-40, 44-49, D18/56; 399/16, 361, 367, 377, 393; 271/3.03, 3.14, 8.1, 171**

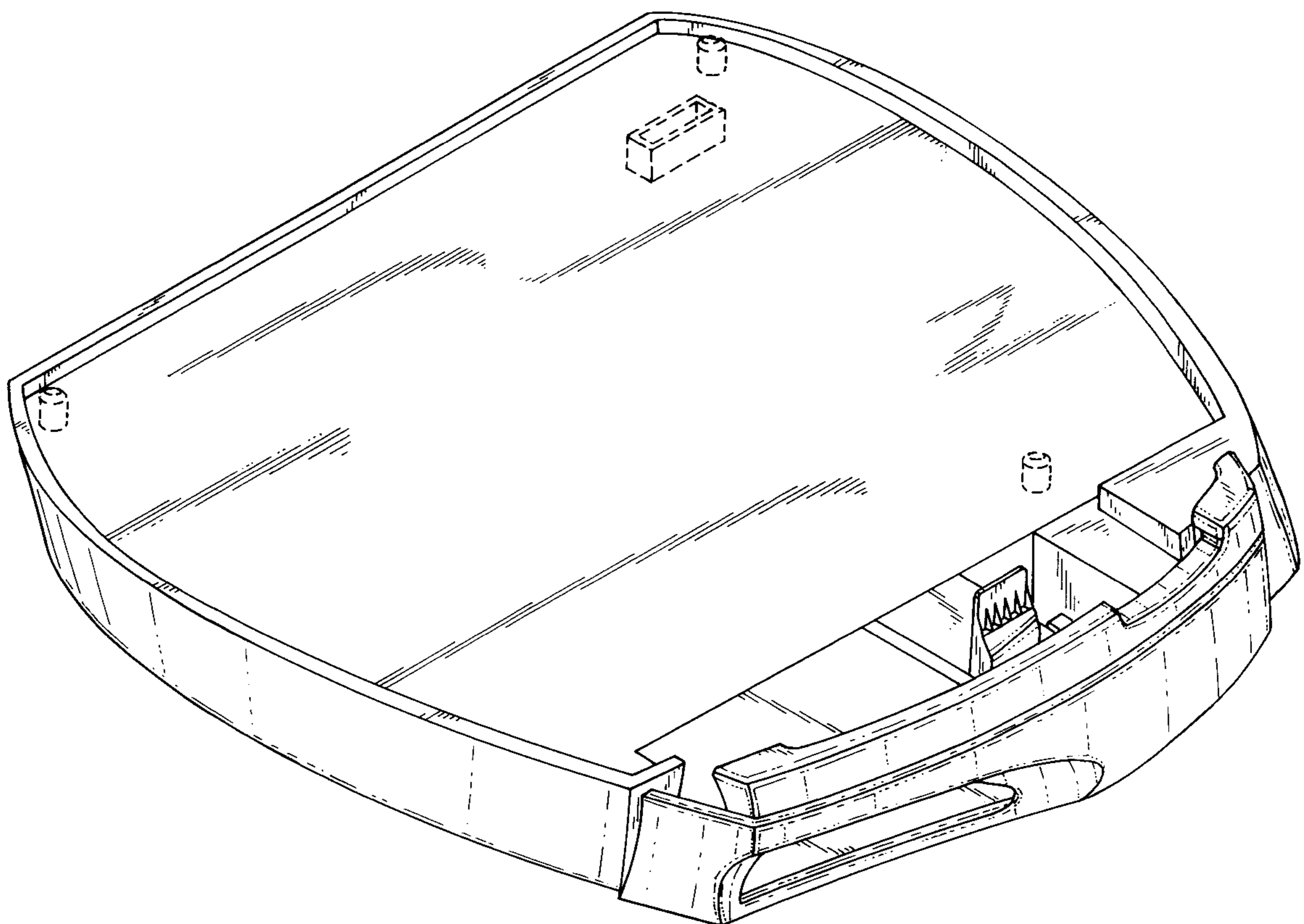
The broken line showing of a potential electrical interconnect plug in FIGS. 1—6, and of potential alignment pins for coupling the auxiliary sheet feeder with an inkjet printer in FIGS. 1 —6, is for illustrative purposes only and forms no part of the claimed design.

[56] **References Cited**

U.S. PATENT DOCUMENTS

D. 319,465 8/1991 Isomoto D18/44

1 Claim, 4 Drawing Sheets



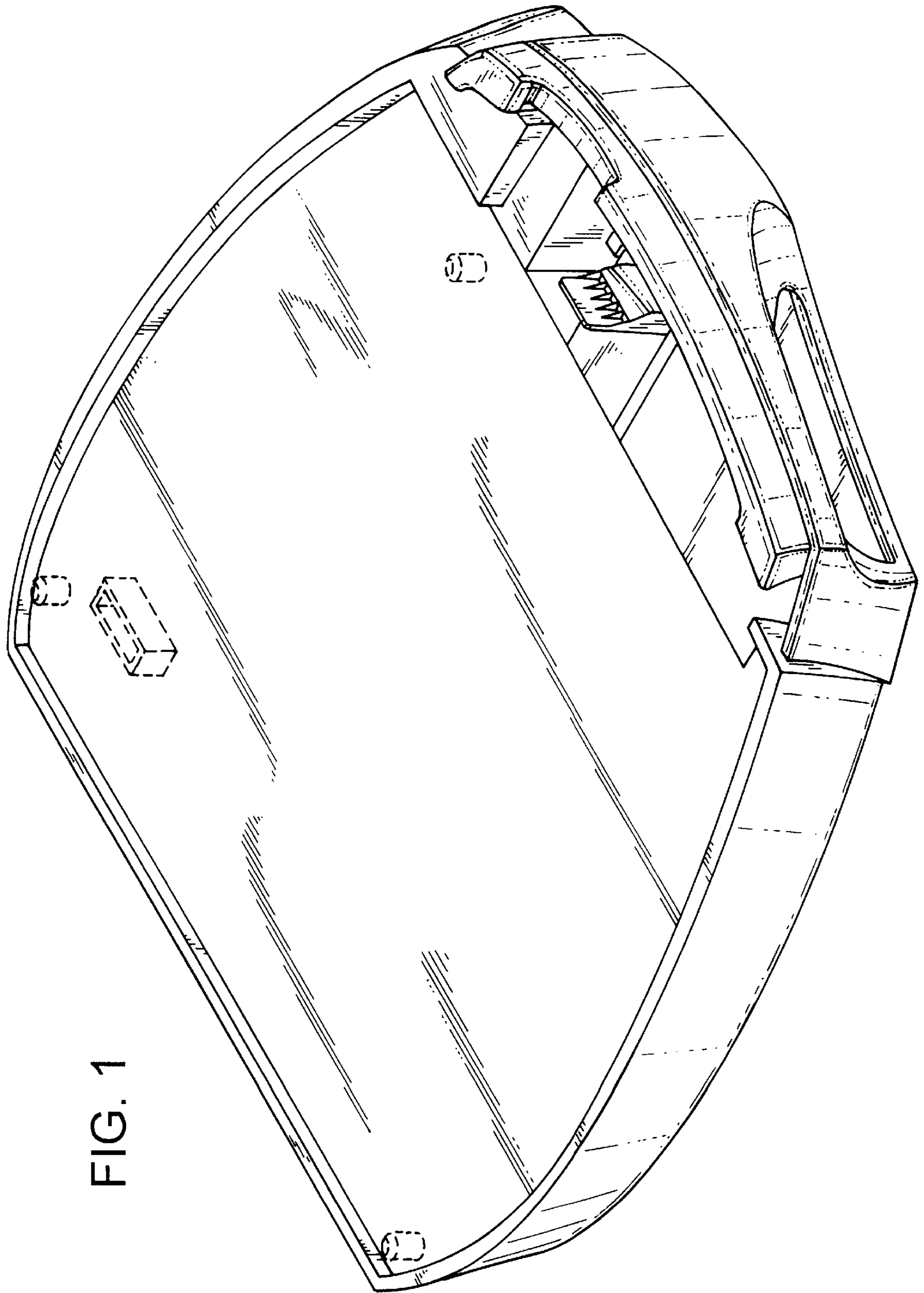


FIG. 1

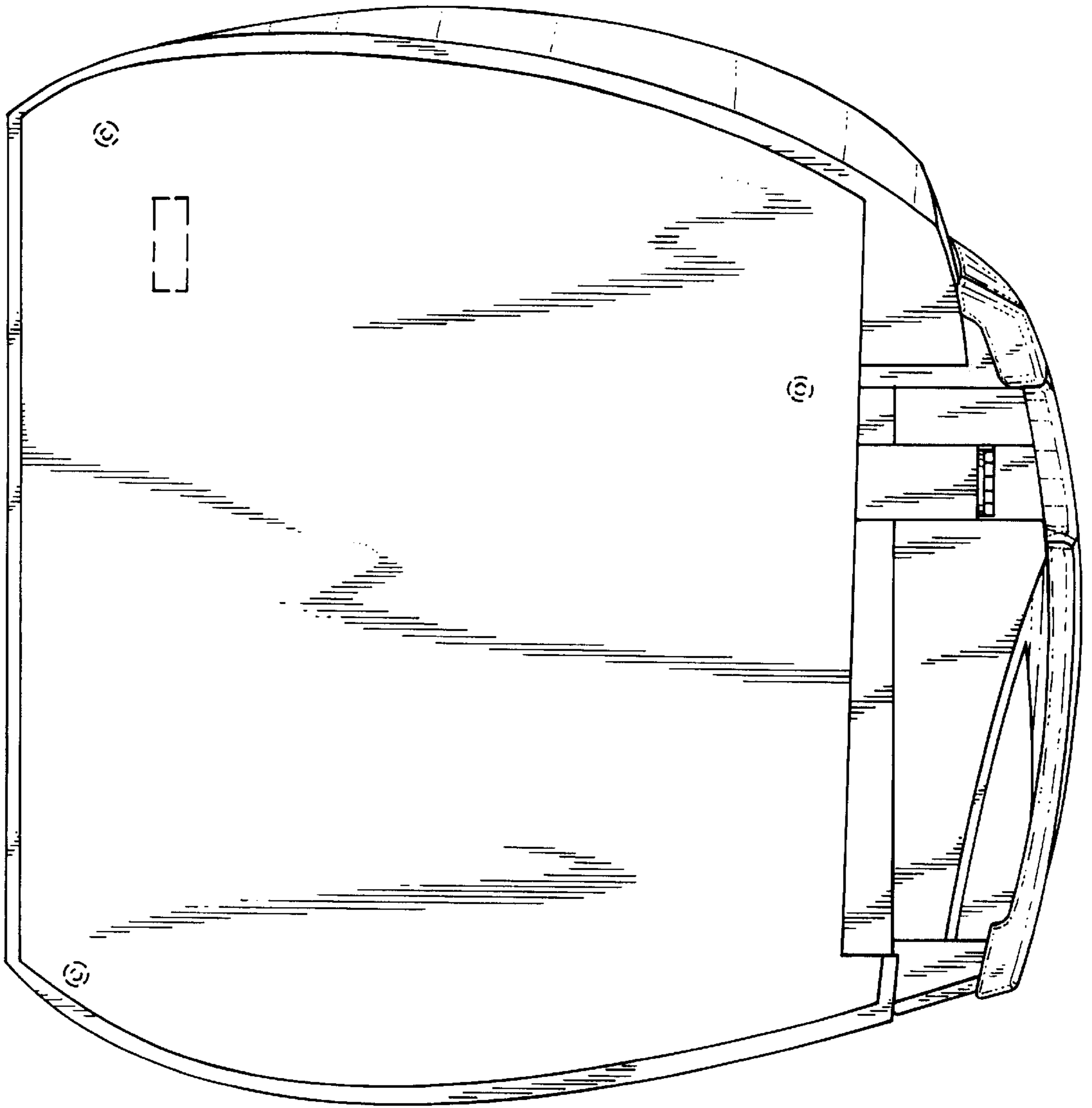


FIG. 2

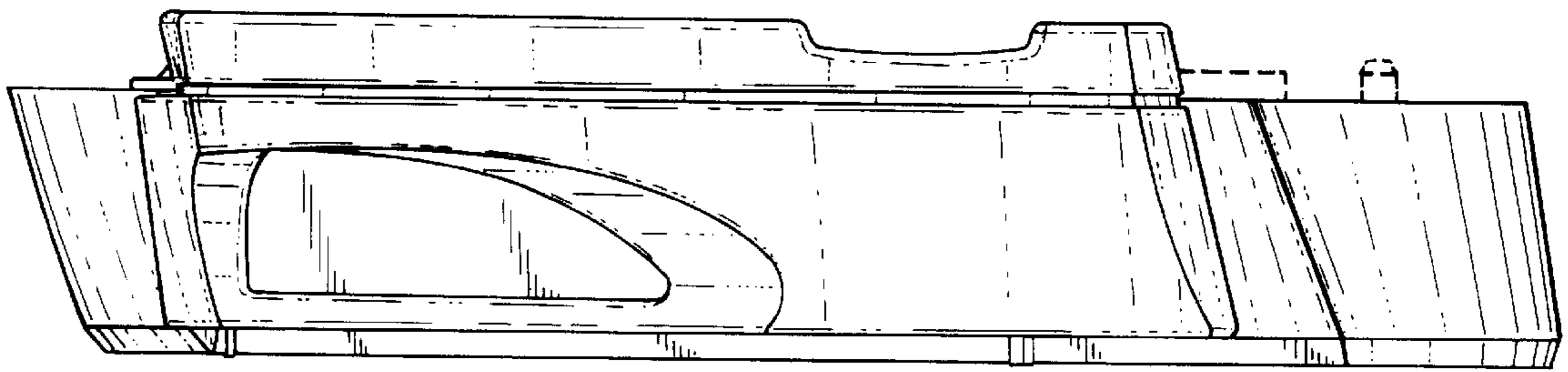


FIG. 3

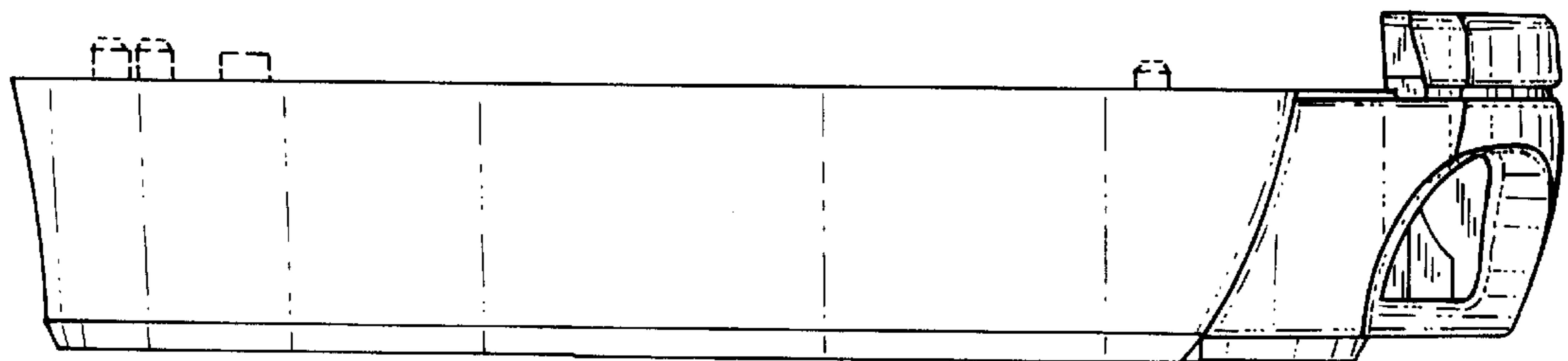


FIG. 4

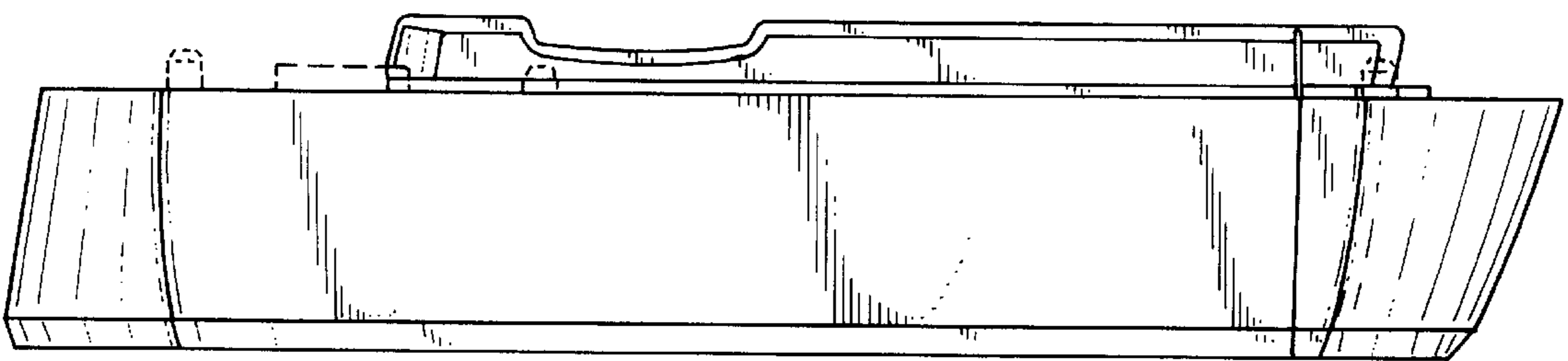


FIG. 5

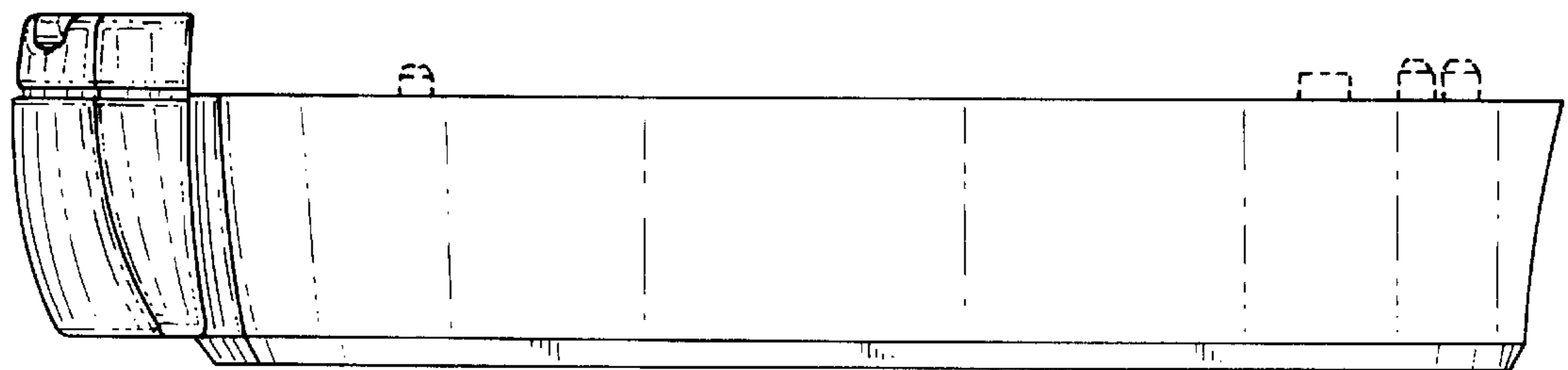


FIG. 6

FIG. 7

