



US00D413621S

United States Patent [19]

Ichimaru et al.

[11] Patent Number: **Des. 413,621**

[45] Date of Patent: **** Sep. 7, 1999**

[54] **TONER CARTRIDGE**

[75] Inventors: **Tsukasa Ichimaru; Takeshi Konuma,**
both of Osaka, Japan

[73] Assignee: **Mita Industrial Co., Ltd.,** Osaka,
Japan

[**] Term: **14 Years**

[21] Appl. No.: **29/073,246**

[22] Filed: **Jul. 10, 1997**

[30] **Foreign Application Priority Data**

Jan. 17, 1997 [JP] Japan 9-1049

[51] **LOC (6) Cl.** **16-03**

[52] **U.S. Cl.** **D18/43**

[58] **Field of Search** D18/22, 40, 43;
118/657; 206/216, 316, 446, 461, 467,
474, 495, 527, 532, 601, 628, 631, 633;
222/DIG. 1, 166, 240, 325, 541; 399/24,
27

[56] **References Cited**

U.S. PATENT DOCUMENTS

D. 310,844 9/1990 Ohata D18/43

D. 310,845 9/1990 Ohata D18/43
D. 331,773 12/1992 Shibata D18/43
D. 346,819 5/1994 Taniguchi et al. D18/43
D. 366,278 1/1996 Nagashima D18/43
5,517,285 5/1996 Nomura et al. 355/245

FOREIGN PATENT DOCUMENTS

139898 8/1990 Taiwan .
188762 2/1992 Taiwan .

Primary Examiner—Caron D. Veynar
Attorney, Agent, or Firm—Limbach & Limbach

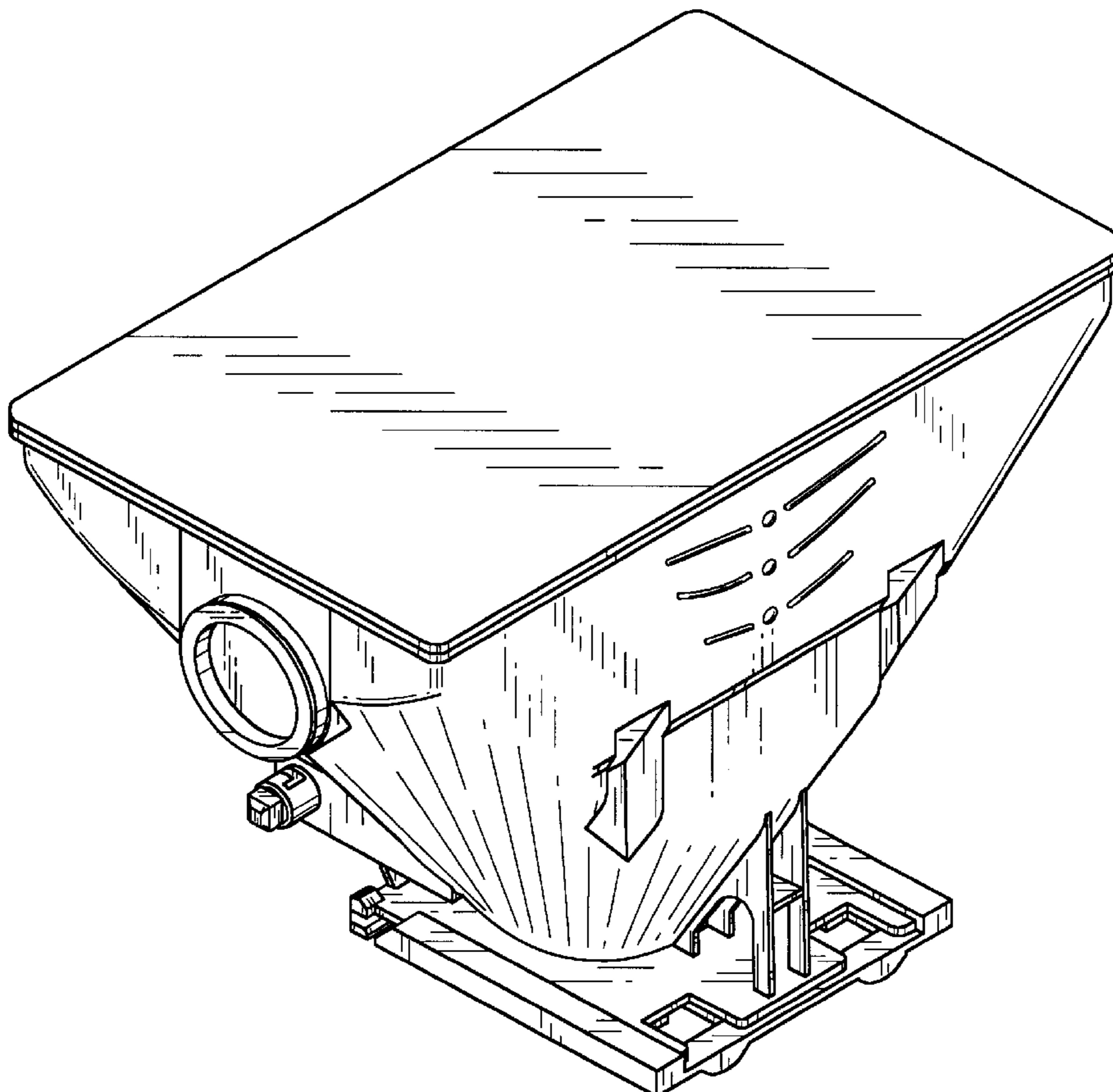
[57] **CLAIM**

The ornamental design for a toner cartridge, as shown and described.

DESCRIPTION

FIG. 1 is a front elevational view of a toner cartridge;
FIG. 2 is a rear elevational view thereof;
FIG. 3 is a top plan view thereof;
FIG. 4 is a bottom plan view thereof;
FIG. 5 is a left side elevational view thereof;
FIG. 6 is a right side elevational view thereof; and,
FIG. 7 is a front perspective view thereof.

1 Claim, 4 Drawing Sheets



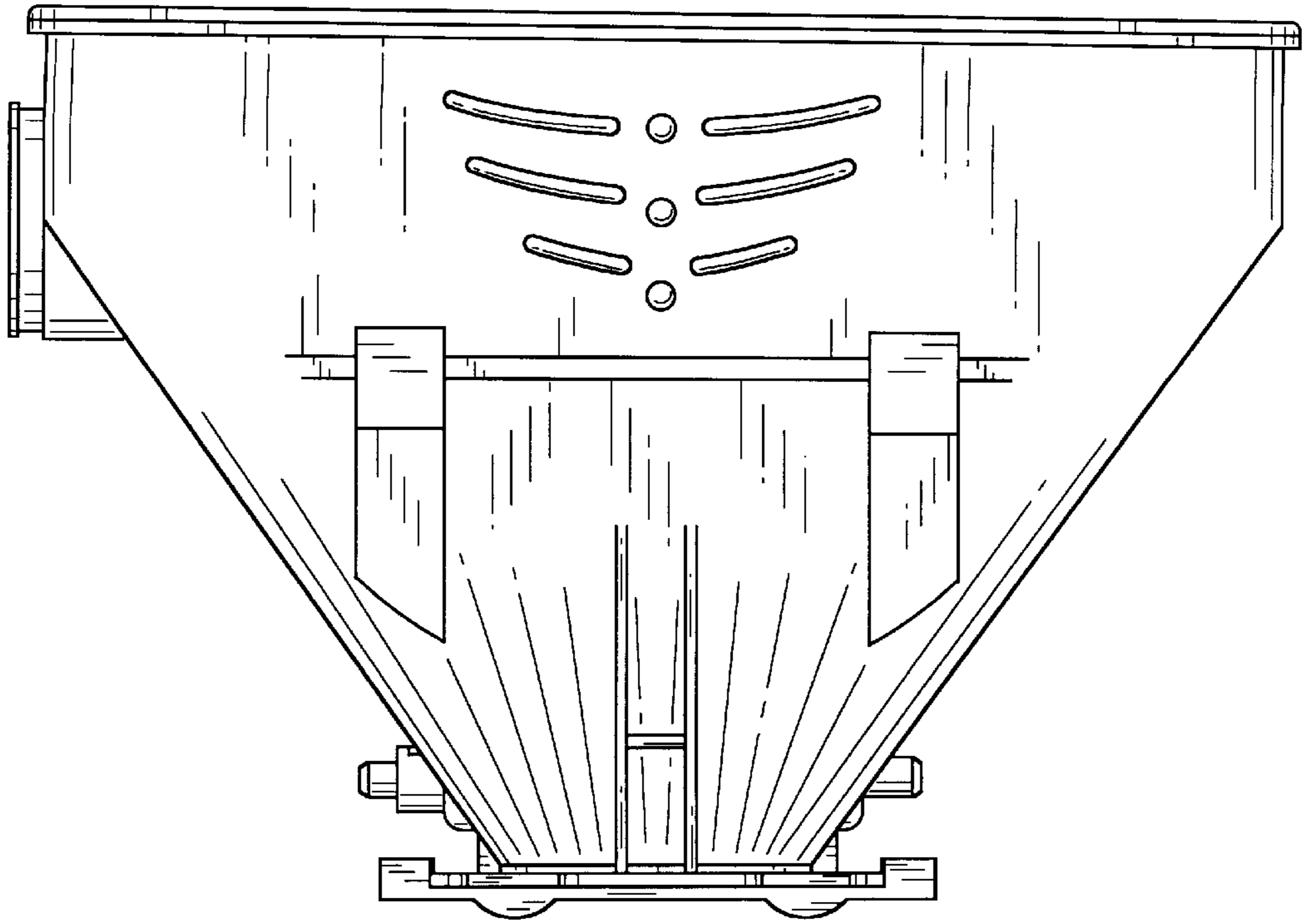


FIG. 1

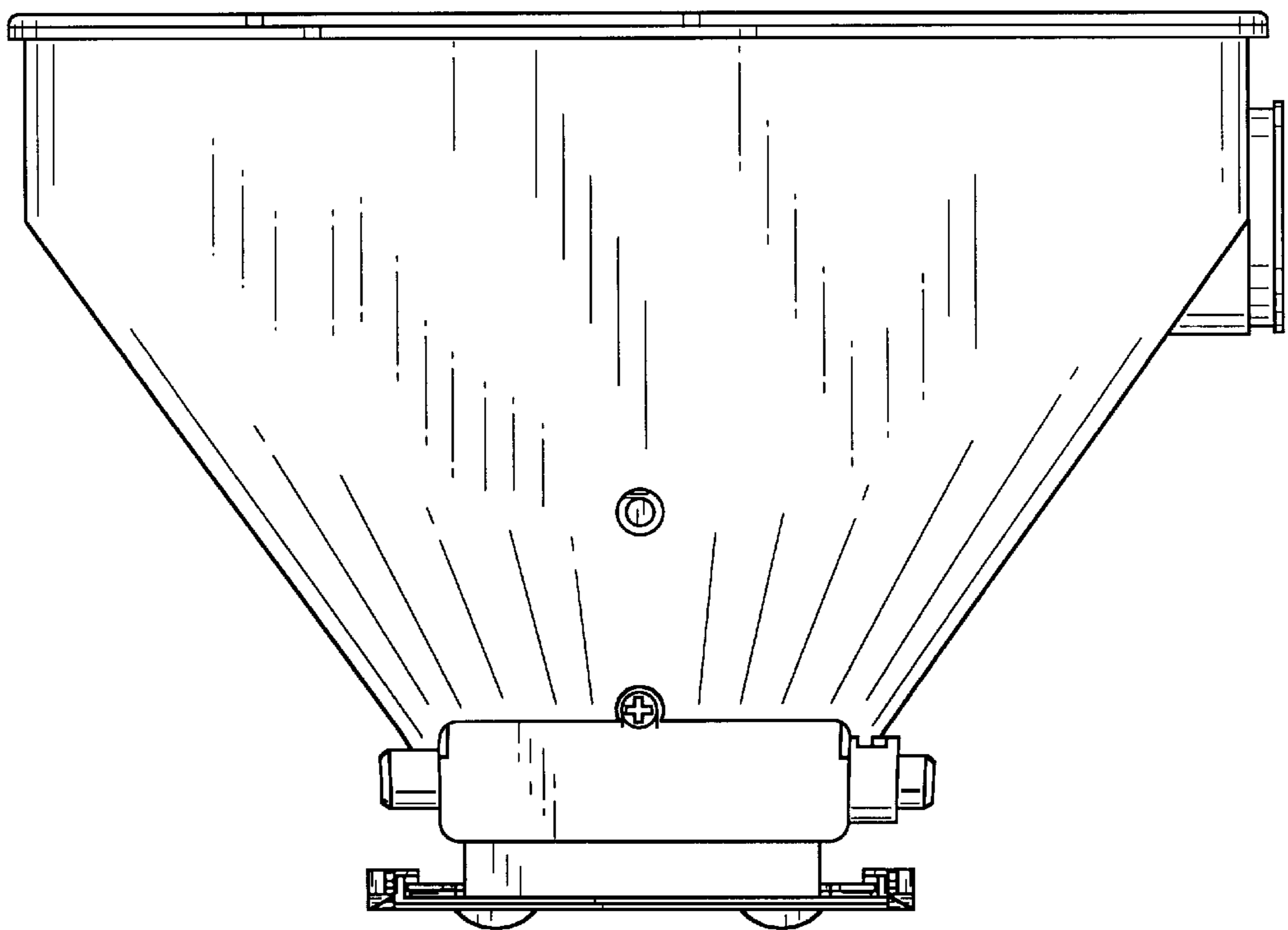


FIG. 2

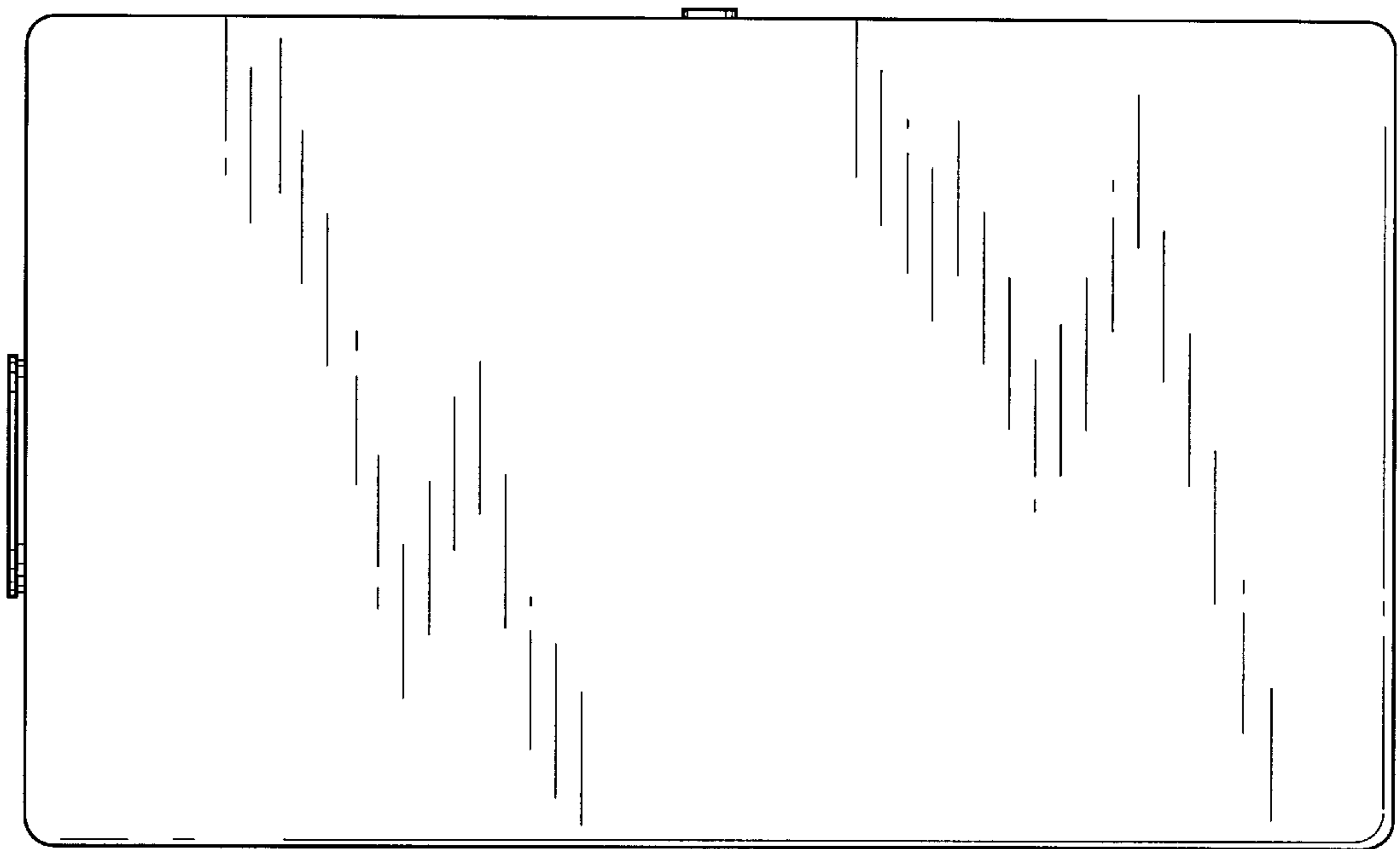


FIG. 3

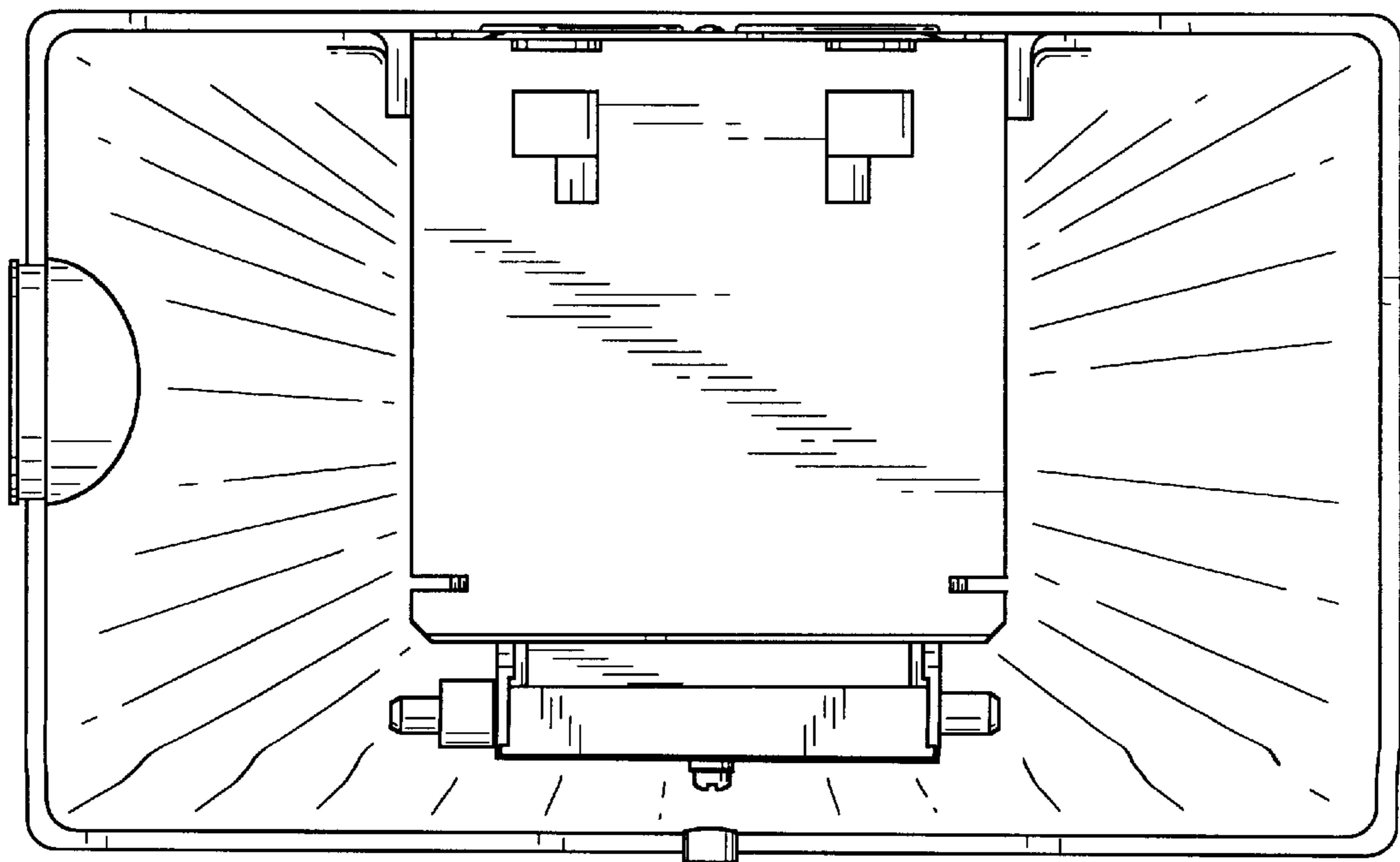


FIG. 4

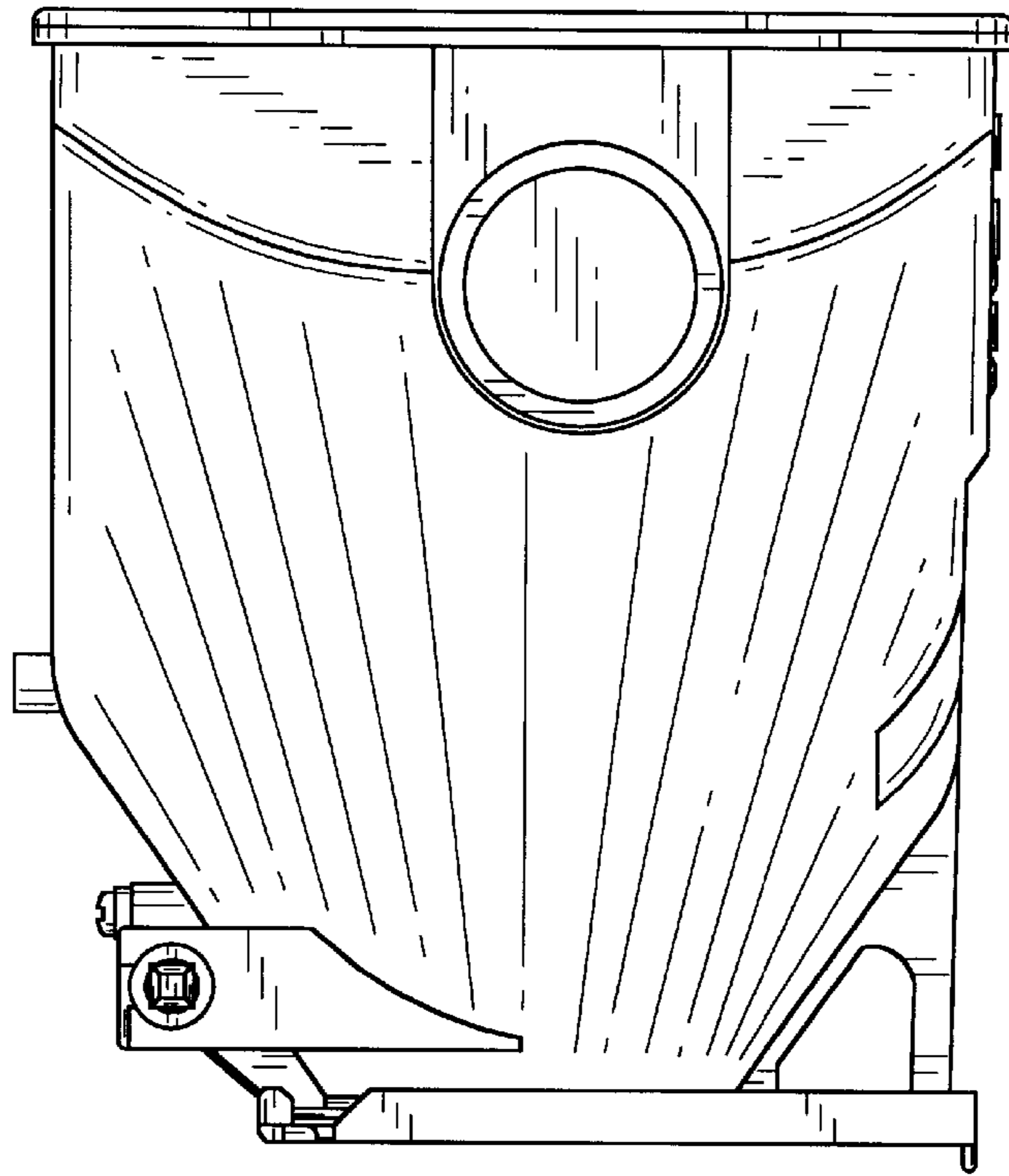


FIG. 5

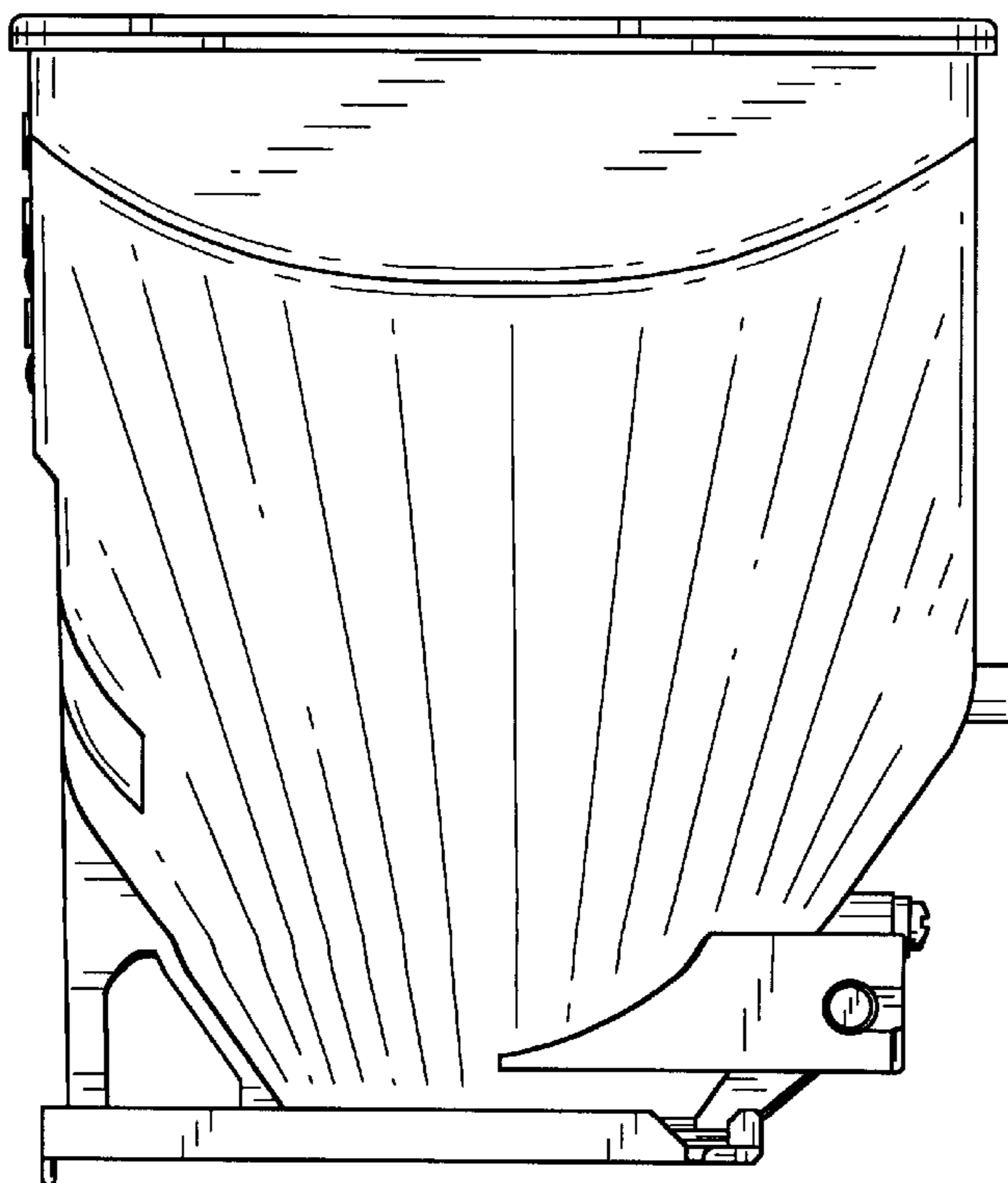


FIG. 6

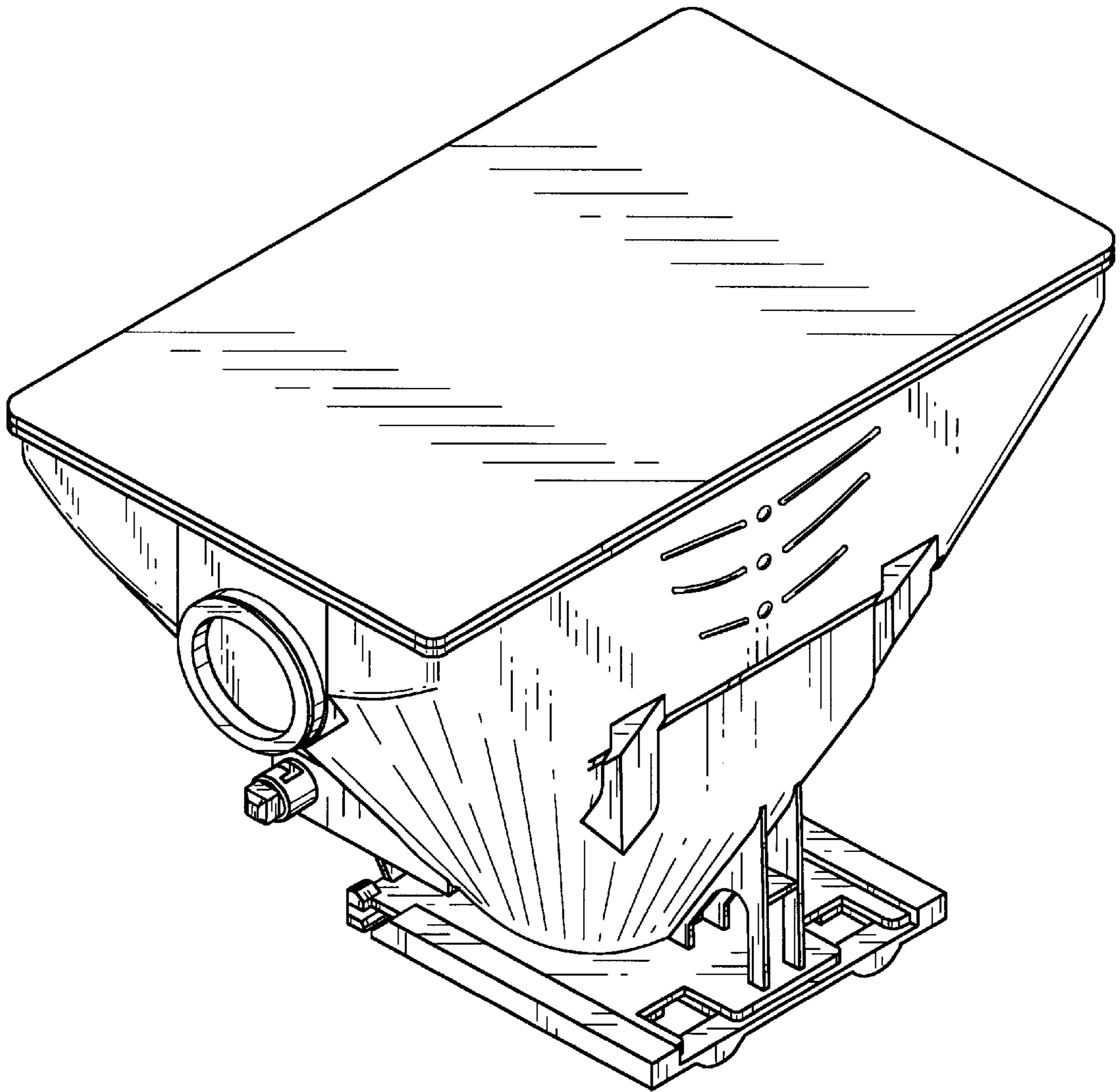


FIG. 7