



US00D413619S

# United States Patent [19]

Franks et al.

[11] Patent Number: Des. 413,619

[45] Date of Patent: \*\* Sep. 7, 1999

[54] CASE FOR A SELF-INKING STAMP

[75] Inventors: Anthony Franks; David Mayer, both of New York, N.Y.

[73] Assignee: M&R Marking Systems, Inc., Piscataway, N.J.

[\*\*] Term: 14 Years

[21] Appl. No.: 29/084,500

[22] Filed: Mar. 4, 1998

[51] LOC (6) Cl. .... 19-02

[52] U.S. Cl. .... D18/15

[58] Field of Search ..... D18/14-18; 118/264, 118/268; 101/103, 333, 334, 327, 405, 406, 371-373, 376

### [56] References Cited

#### U.S. PATENT DOCUMENTS

- D. 4,803 4/1871 Waters .
- D. 145,514 9/1946 Duke .
- D. 158,108 4/1950 Ljunggren ..... D18/15
- D. 209,874 1/1968 Anderson .
- D. 214,534 6/1969 Anderson .
- D. 231,028 3/1974 Funahashi .
- D. 233,174 10/1974 Funahashi .
- D. 236,752 9/1975 Funahashi .
- D. 280,643 9/1985 Ichikawa .
- D. 280,644 9/1985 Ichikawa .
- D. 280,910 10/1985 Fujikura .
- D. 284,014 5/1986 Iwasaki et al. .
- D. 324,062 2/1992 Bengtsson .
- D. 332,637 1/1993 Hesse .

- D. 334,399 3/1993 Ziegler .
- D. 341,387 11/1993 Koneval .
- D. 353,395 12/1994 Ford .
- D. 387,799 12/1997 Daw et al. .... D18/15
- 1,861,914 6/1932 Gridley ..... 101/327

#### FOREIGN PATENT DOCUMENTS

DM/025 085 1/1993 WIPO .

Primary Examiner—Louis S. Zarfaz  
Assistant Examiner—Gregory Andoll  
Attorney, Agent, or Firm—Lerner, David, Littenberg, Krumholz & Mentlik, LLP

### [57] CLAIM

The ornamental design for a case for a self-inking stamp, as shown and described.

### DESCRIPTION

FIG. 1 is a front view of a case for a self-inking stamp showing our new design; FIG. 2 is a rear view thereof; FIG. 3 is a right side view thereof; FIG. 4 is a left side view thereof; and, FIG. 5 is a top plan view thereof. The broken line showing of a frame portion of the self-inking stamp in FIGS. 1-5 is for illustrative purposes only and form no part of the claimed design. The bottom plan view of the claimed invention has no ornamentation and thus is not shown in the drawings. The broken lines which define the boundaries of the claimed design form no part thereof.

1 Claim, 2 Drawing Sheets

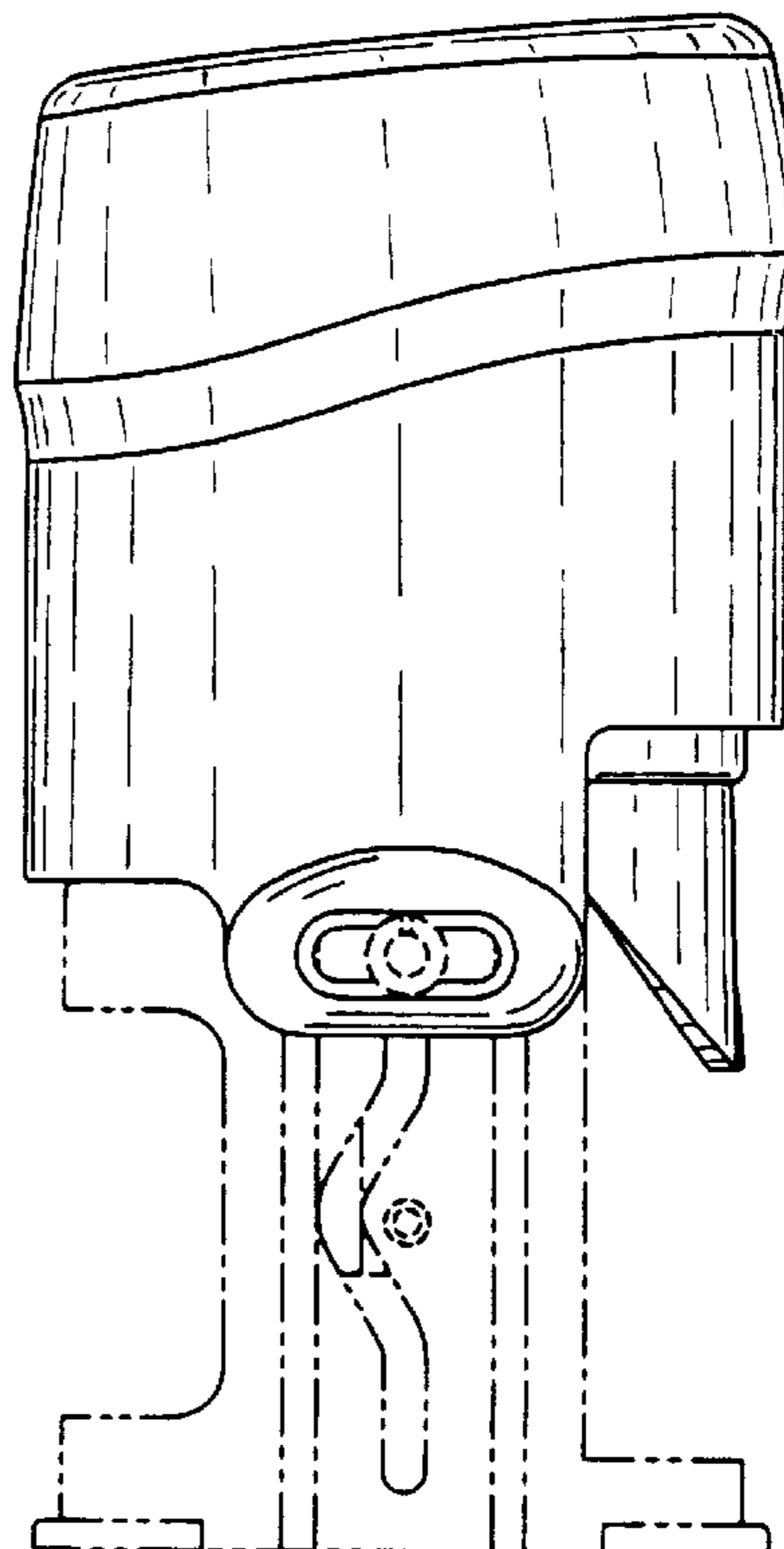
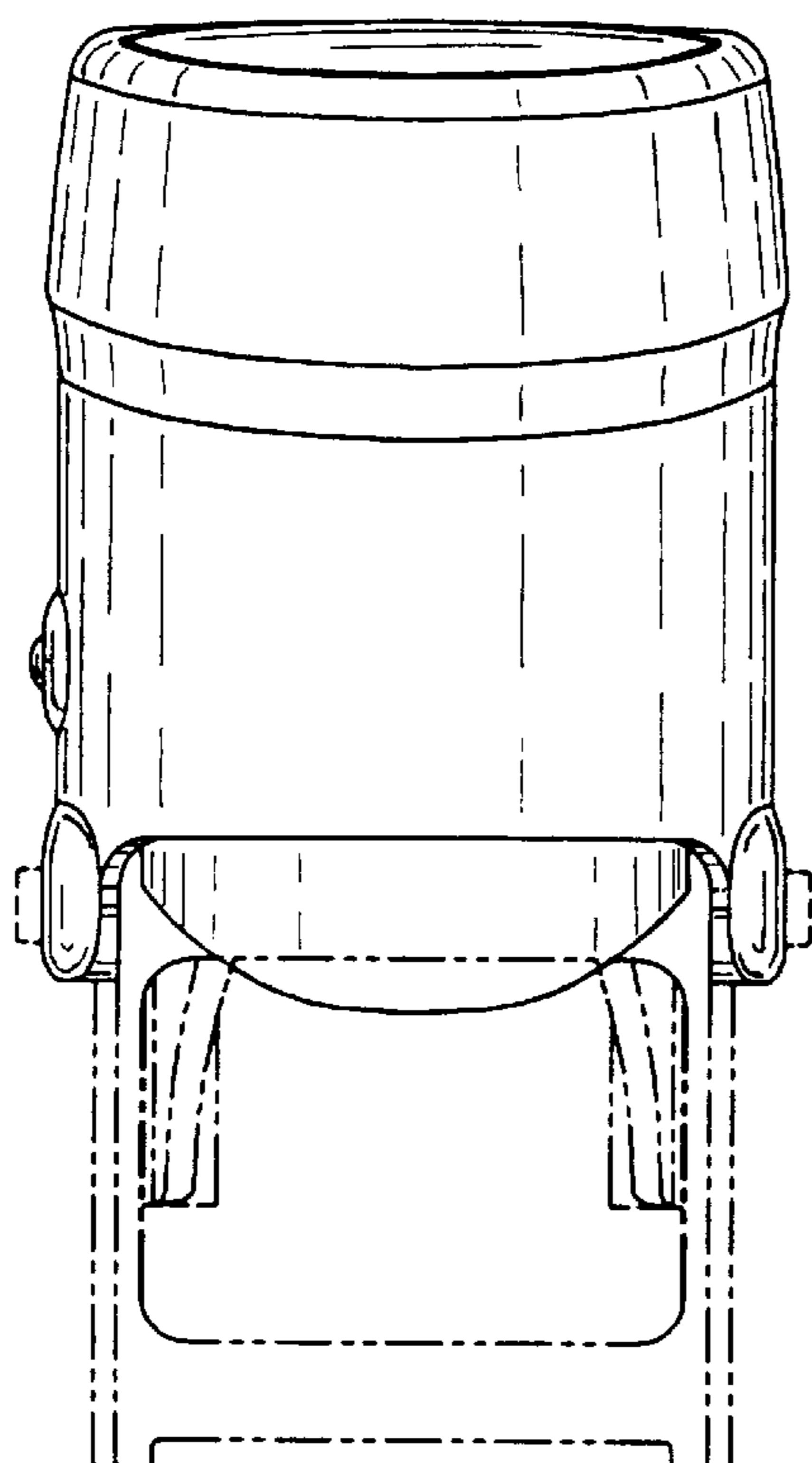


FIG. 1

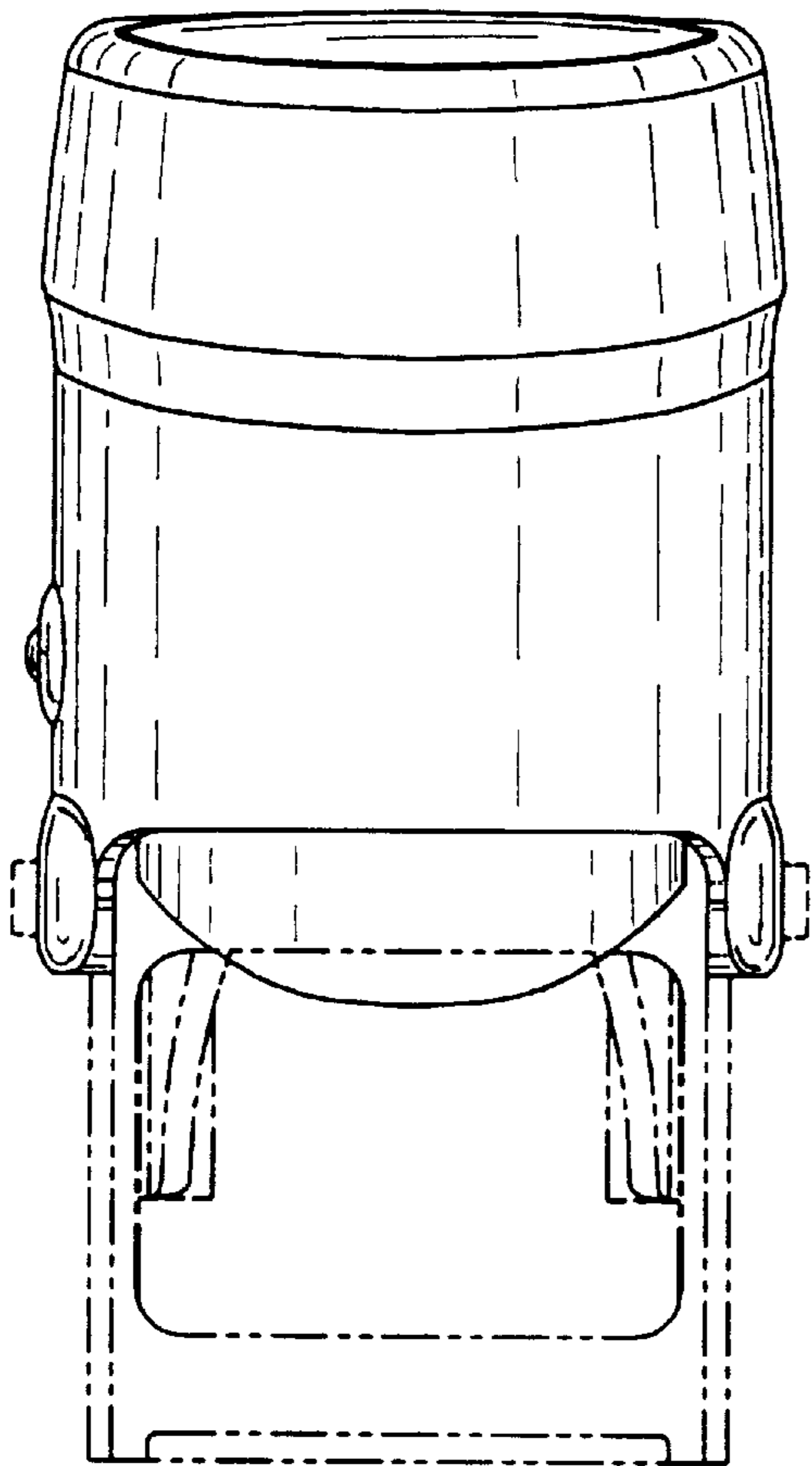


FIG. 2

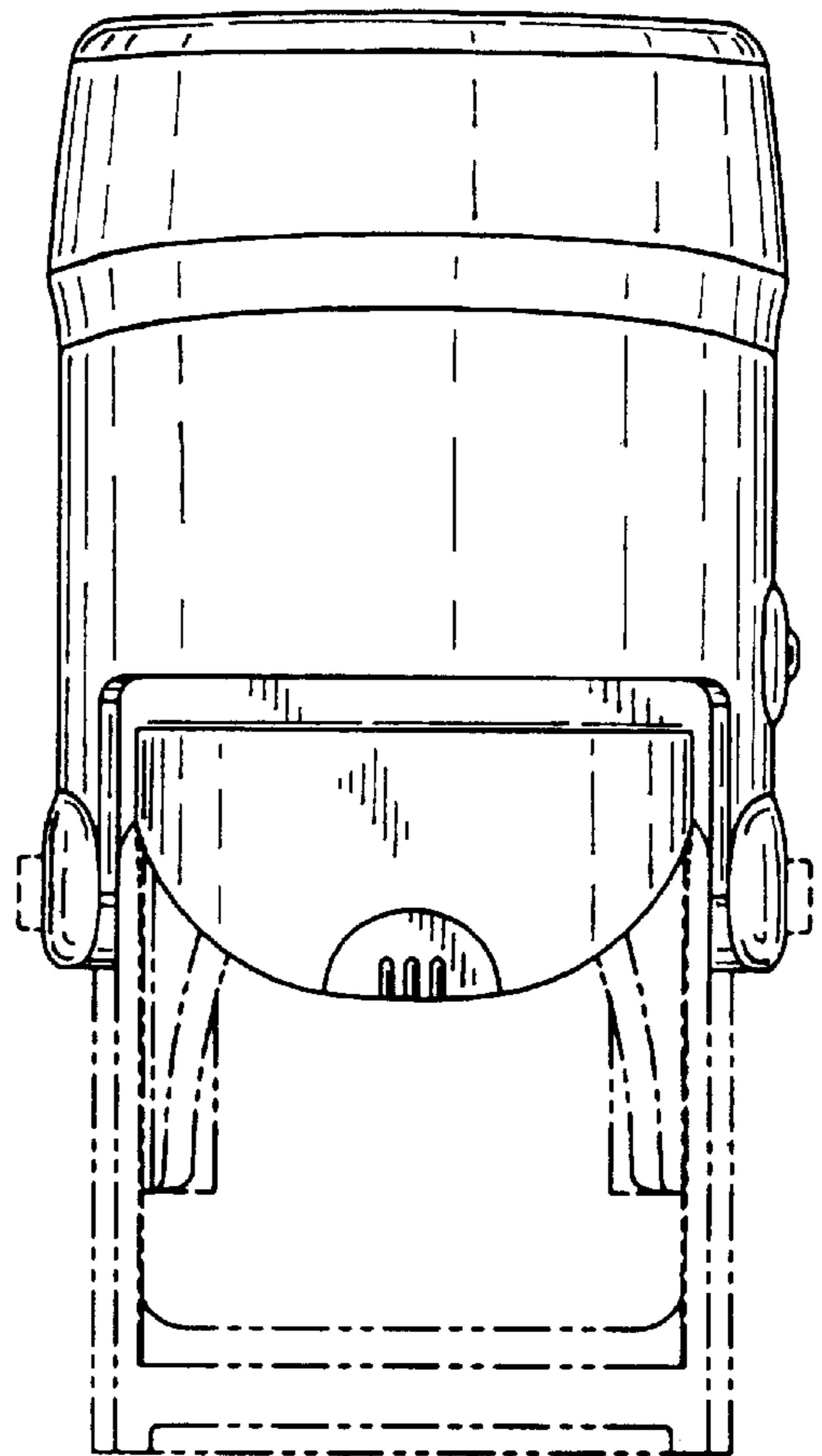


FIG. 5

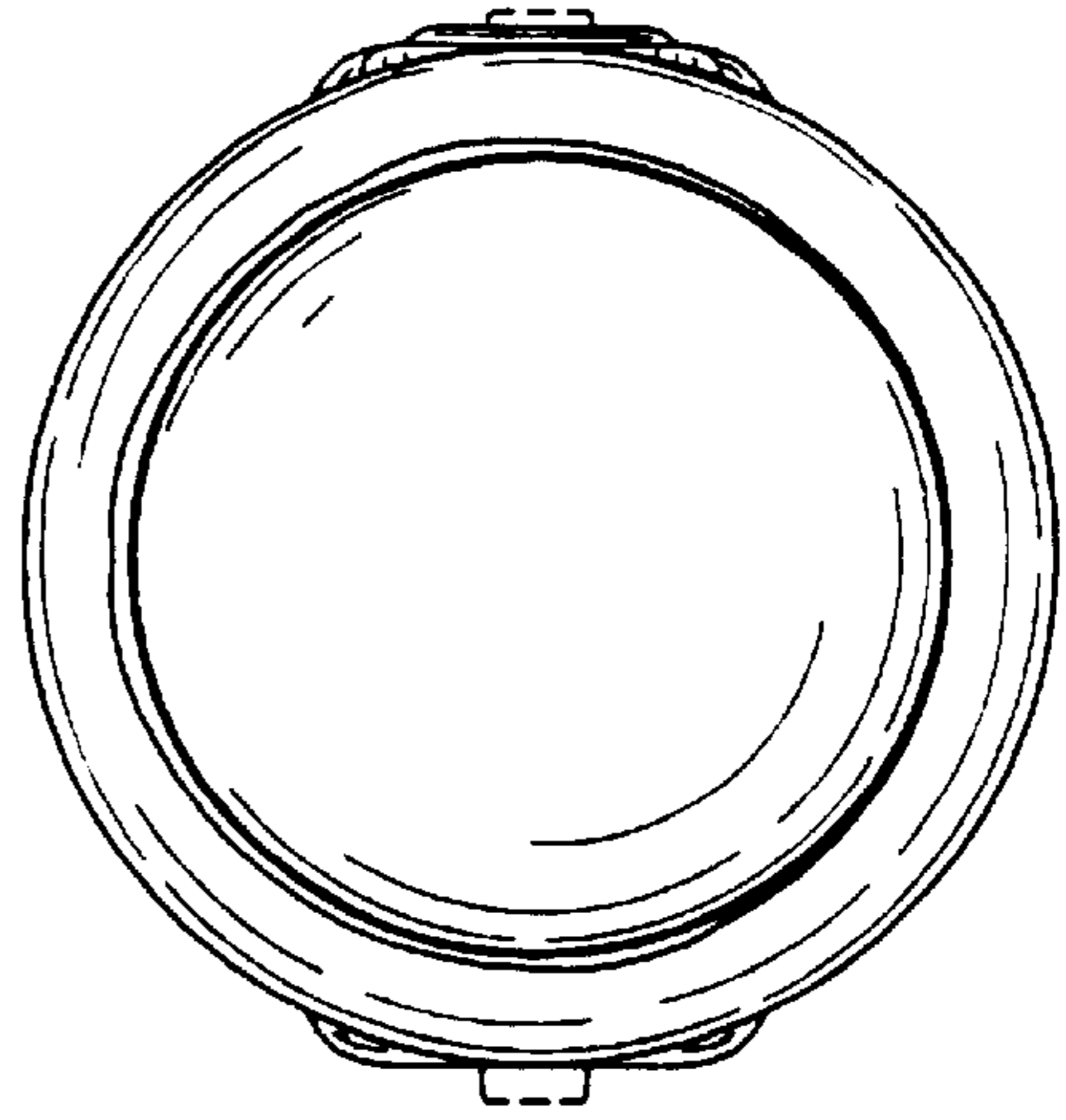


FIG. 3

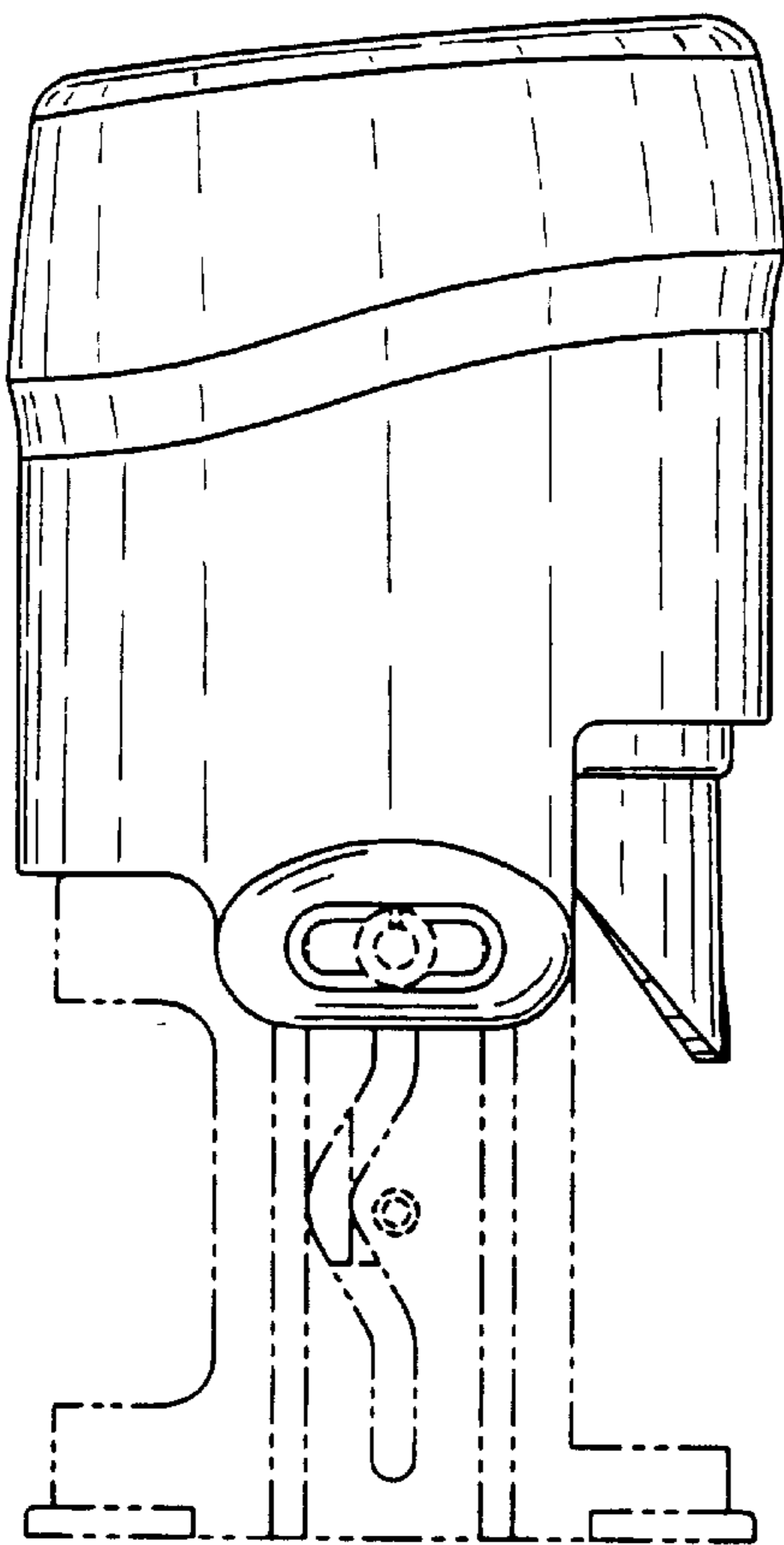


FIG. 4

