



US00D413614S

United States Patent [19]

Eng et al.

[11] Patent Number: **Des. 413,614**

[45] Date of Patent: **** Sep. 7, 1999**

[54] **CAMERA WITH FLIP-UP FLASH**

[75] Inventors: **Jeffrey S. Eng; Francis R. Skop**, both of Rochester, N.Y.

[73] Assignee: **Eastman Kodak Company**, Rochester, N.Y.

[**] Term: **14 Years**

[21] Appl. No.: **29/099,564**

[22] Filed: **Jan. 22, 1999**

[51] **LOC (6) Cl.** **16-01**

[52] **U.S. Cl.** **D16/209; D16/211**

[58] **Field of Search** **D16/200-205, D16/208, 209, 211, 216, 217, 218; 396/348-352, 535-543, 448, 176, 177, 178**

[56] **References Cited**

U.S. PATENT DOCUMENTS

D. 284,768	7/1986	Nakayama	D16/209
D. 358,831	5/1995	Kozu	D16/209
D. 370,924	6/1996	McBride et al.	D16/209
D. 390,587	2/1998	Schelling et al.	D16/209

5,546,147 8/1996 Baxter et al. 396/349
5,740,480 4/1998 Kuhn, Jr. et al. 396/177

Primary Examiner—Adir Aronovich
Attorney, Agent, or Firm—Roger A. Fields

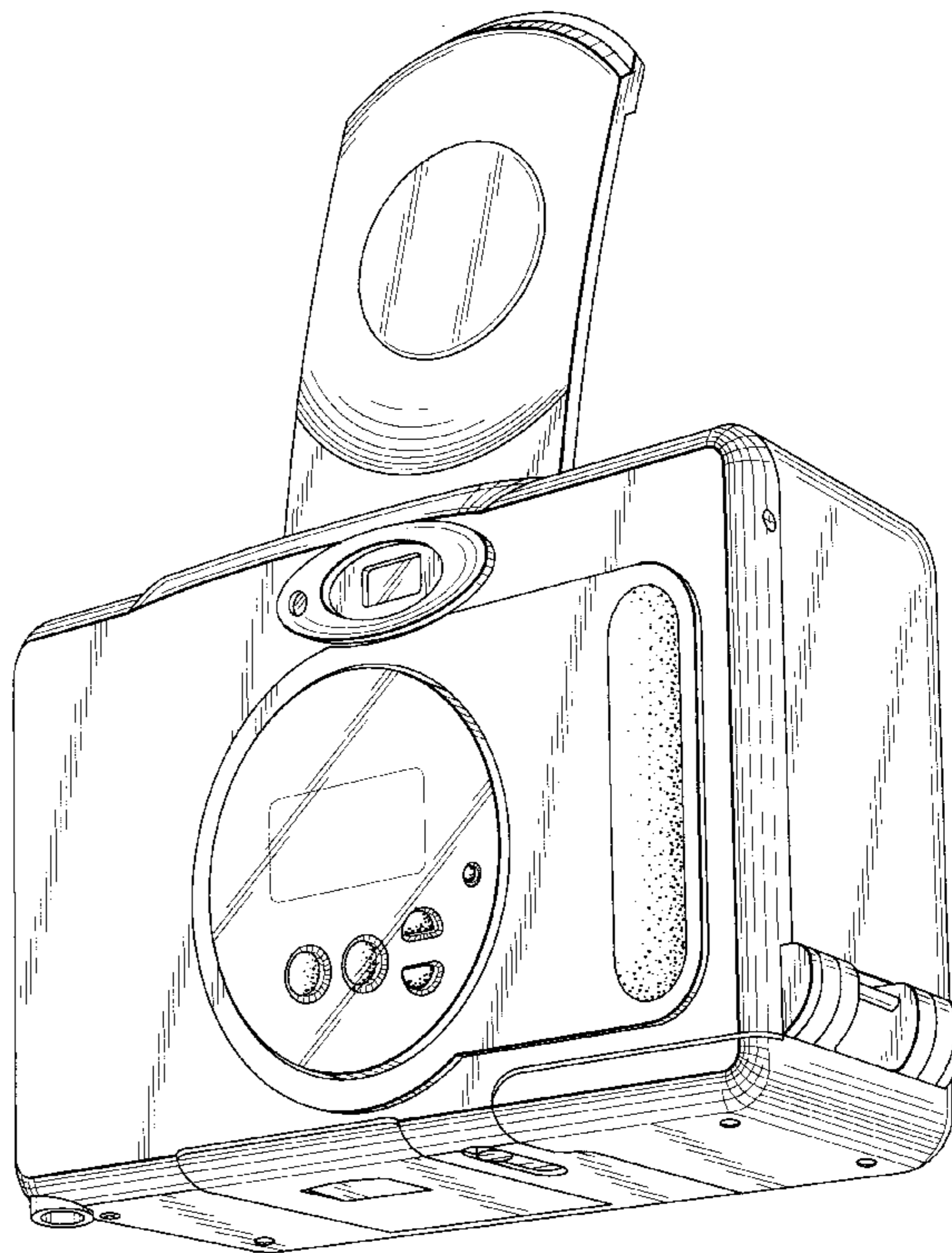
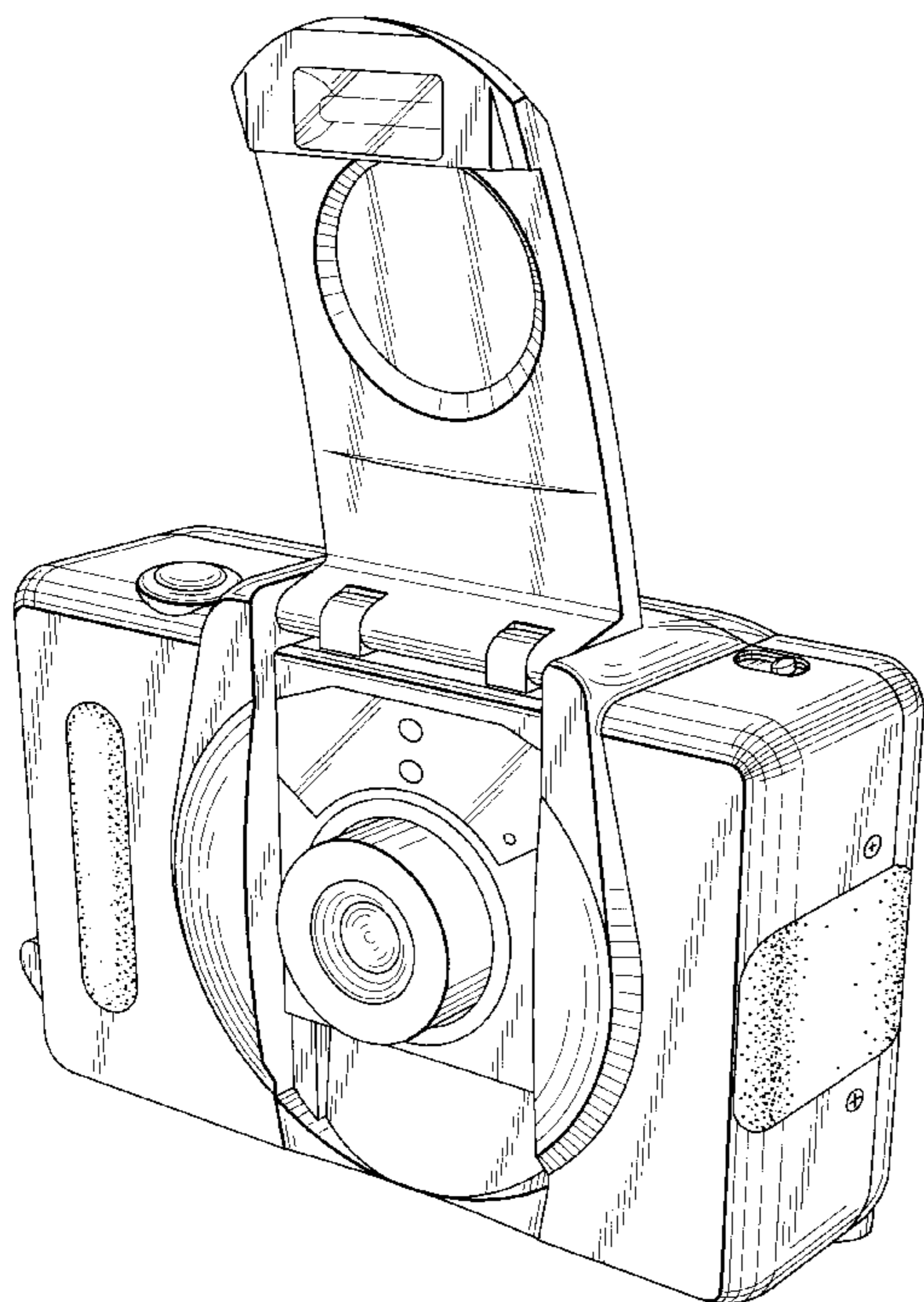
[57] **CLAIM**

The ornamental design for a camera with flip-up flash, as shown and described.

DESCRIPTION

FIG. 1 is a top, front, right-side, perspective view of a camera with flip-up flash according to our new design, showing the flash flipped down; FIG. 2 is a bottom, rear, left-side, perspective view thereof; FIG. 3 is a front elevation view thereof; FIG. 4 is a rear elevation view thereof; FIG. 5 is a top plan view thereof; FIG. 6 is a bottom plan view thereof; FIG. 7 is a left-side elevation view thereof; FIG. 8 is a right-side elevation view thereof; FIG. 9 is a top, front, right-side, perspective view thereof, showing the flash flipped up; and, FIG. 10 is a bottom, rear, left-side, perspective view thereof.

1 Claim, 10 Drawing Sheets



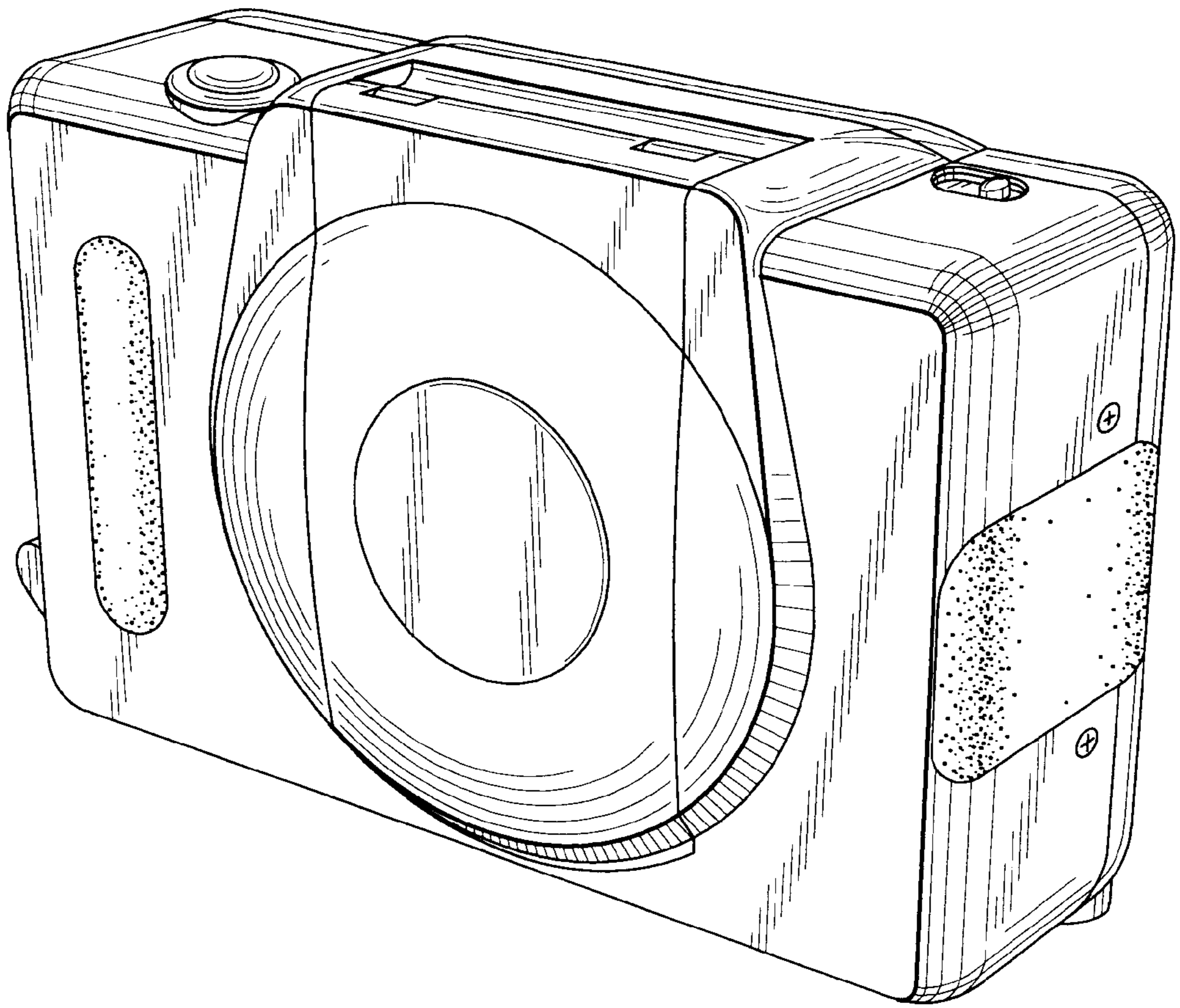


FIG. 1

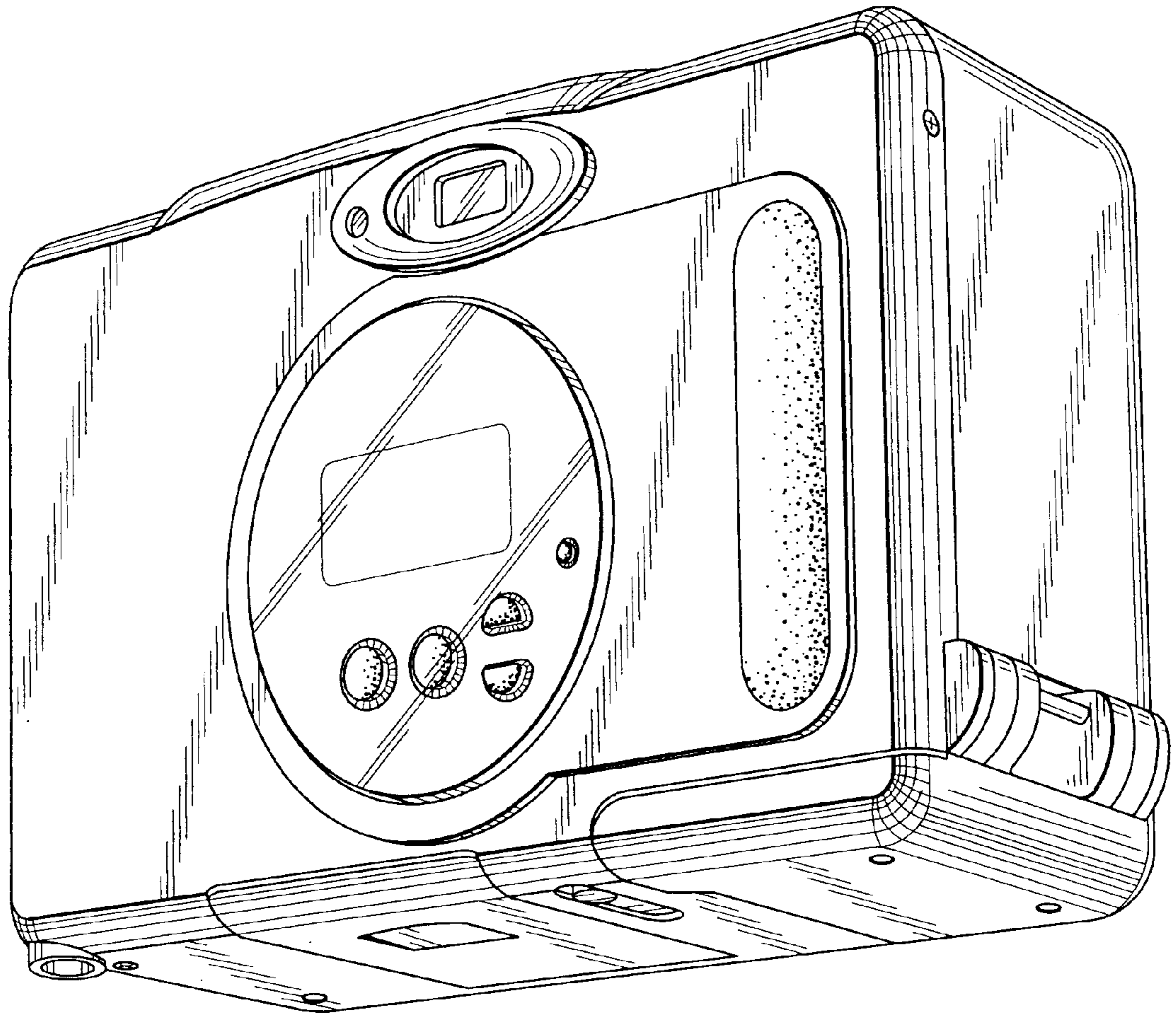


FIG. 2

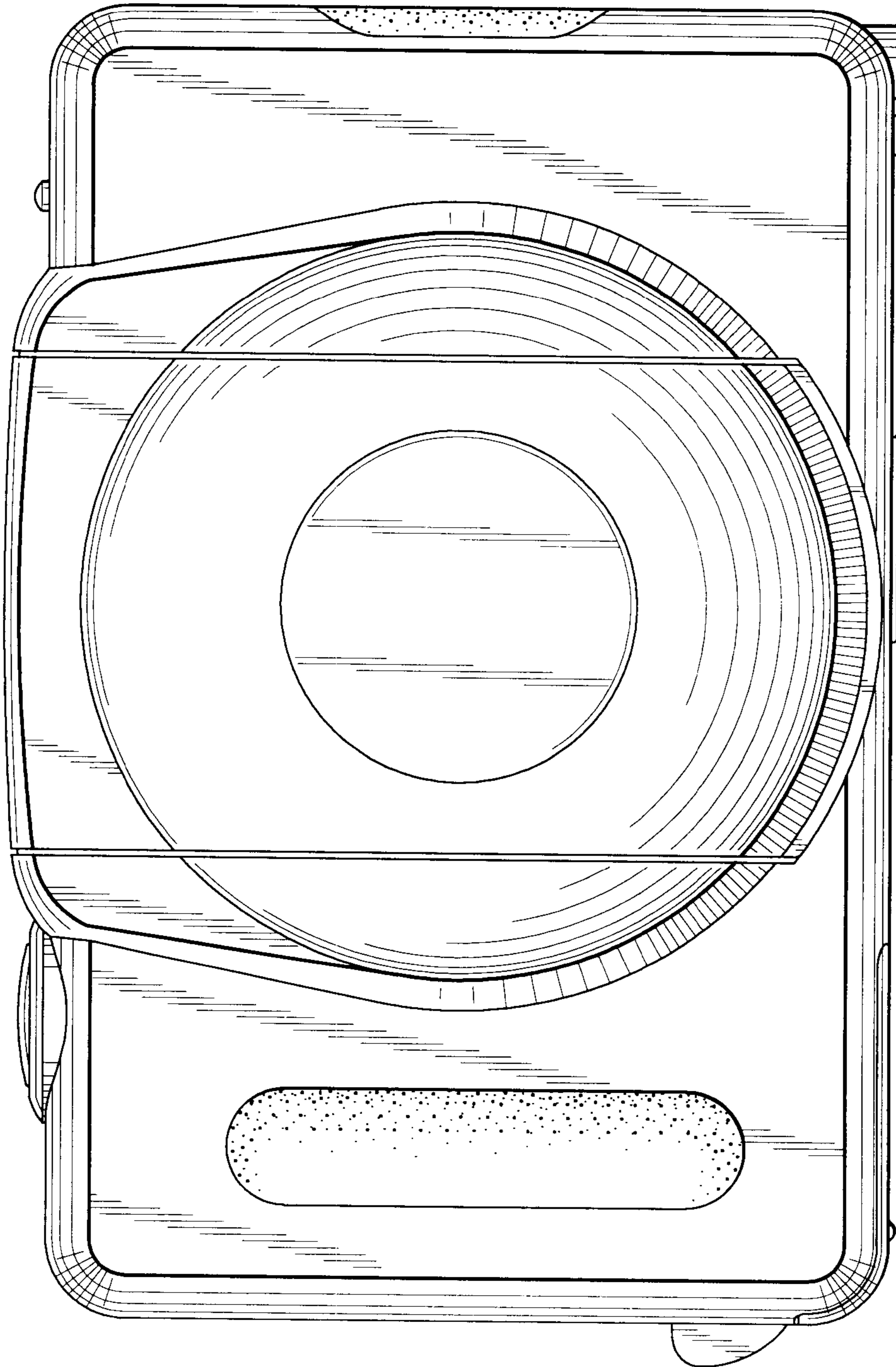


FIG. 3

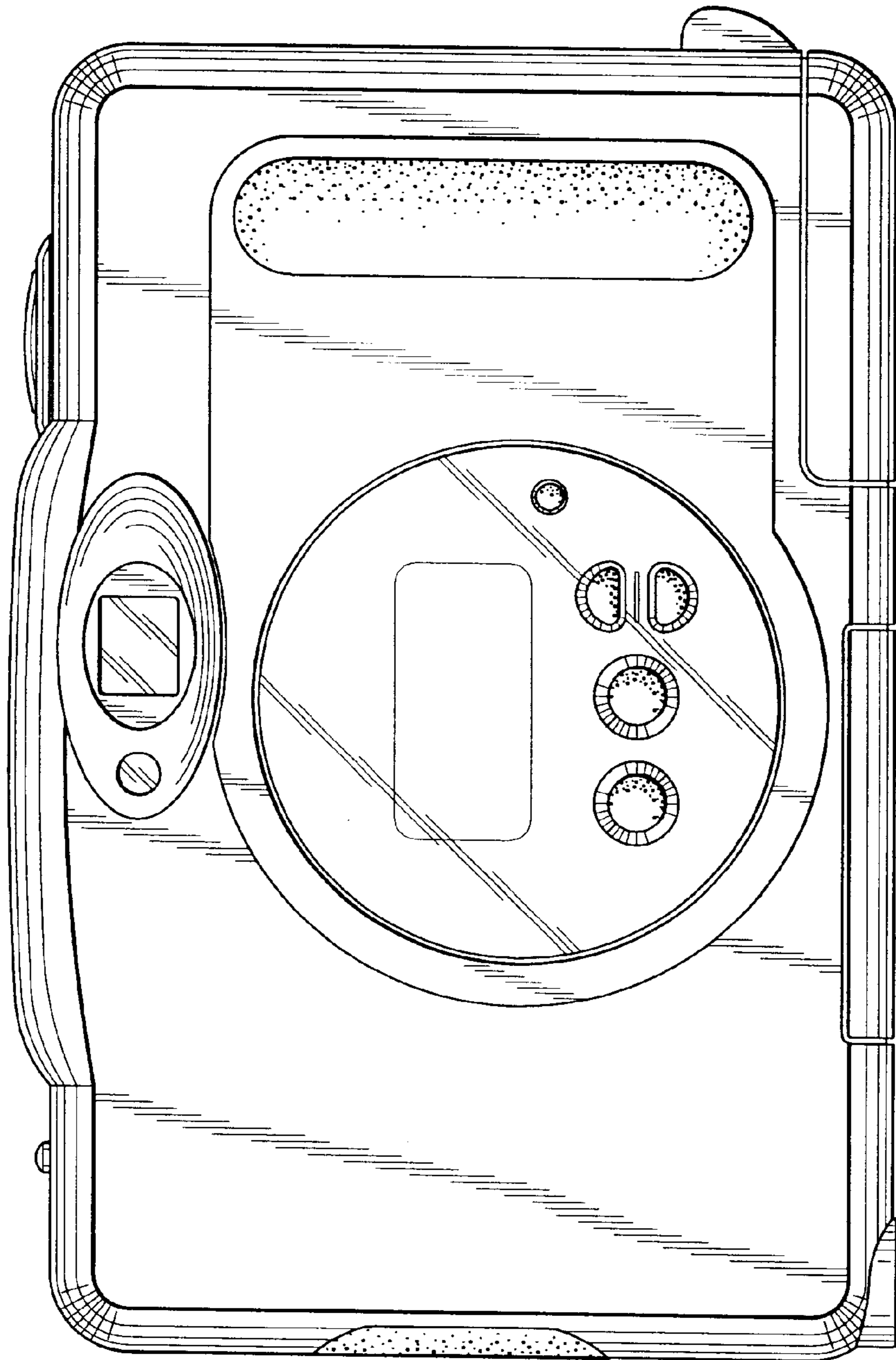


FIG. 4

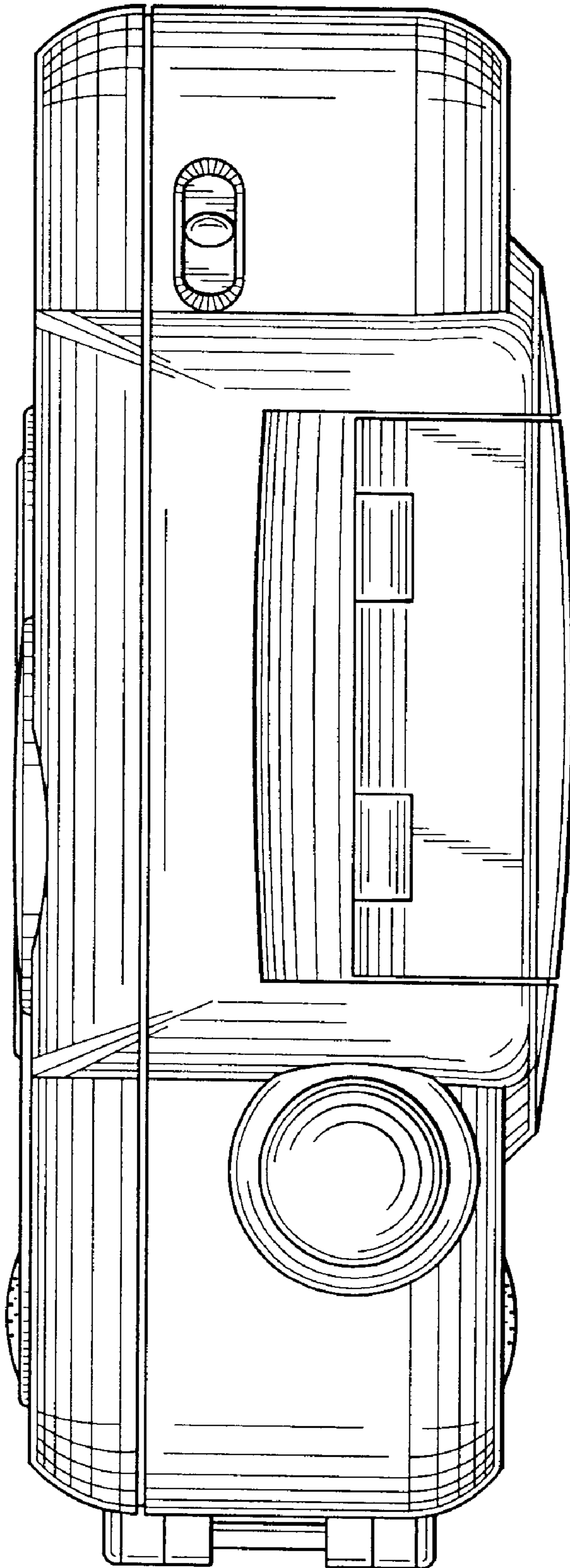


FIG. 5

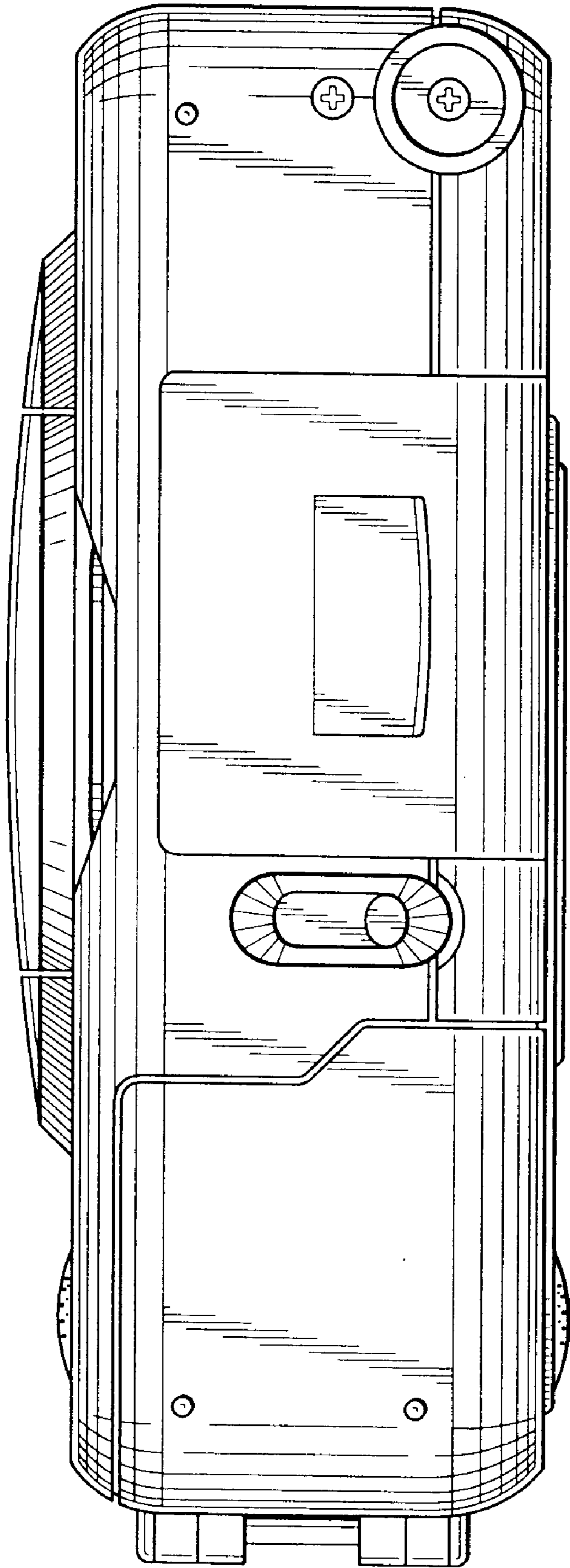


FIG. 6

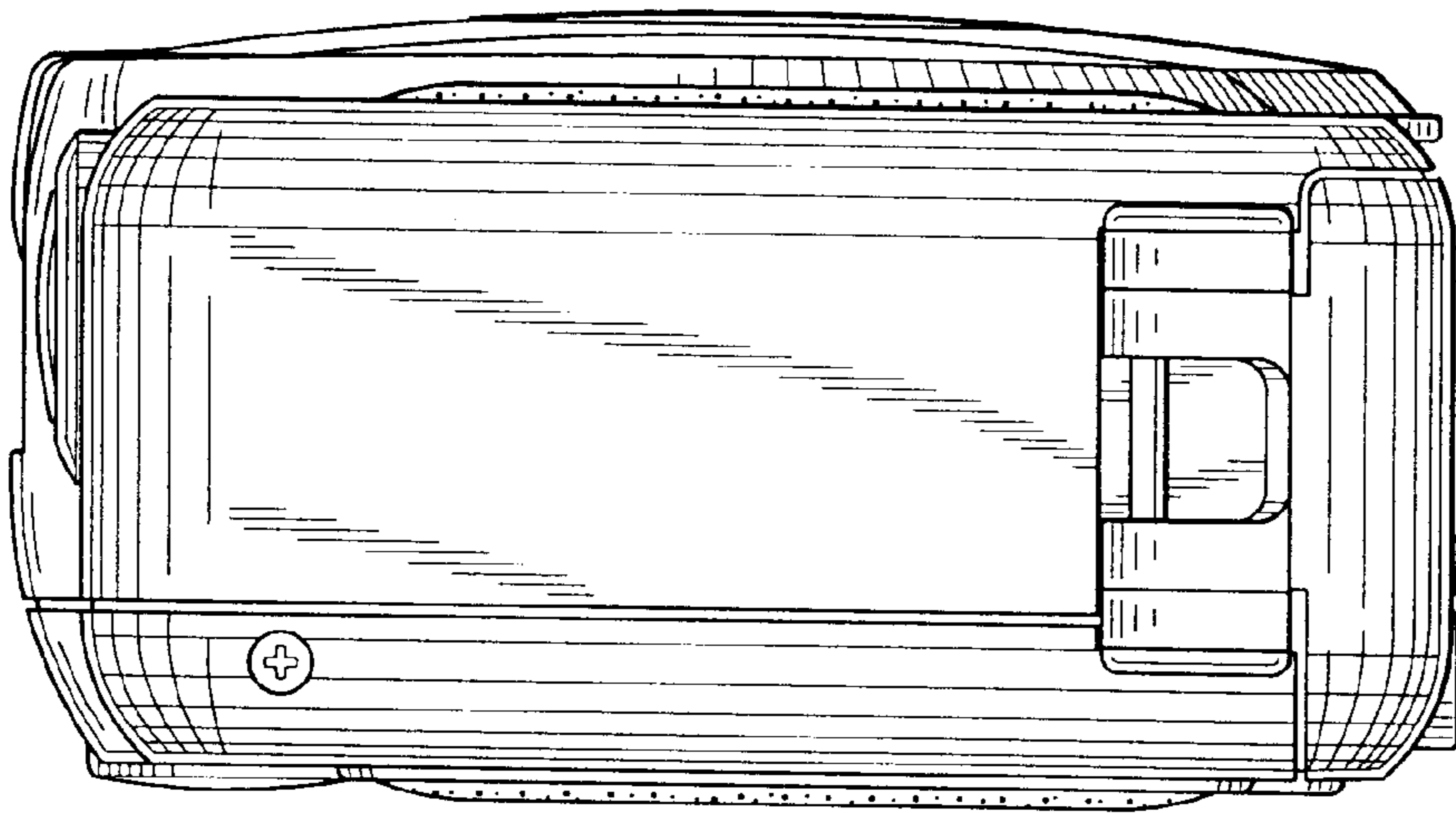


FIG. 7

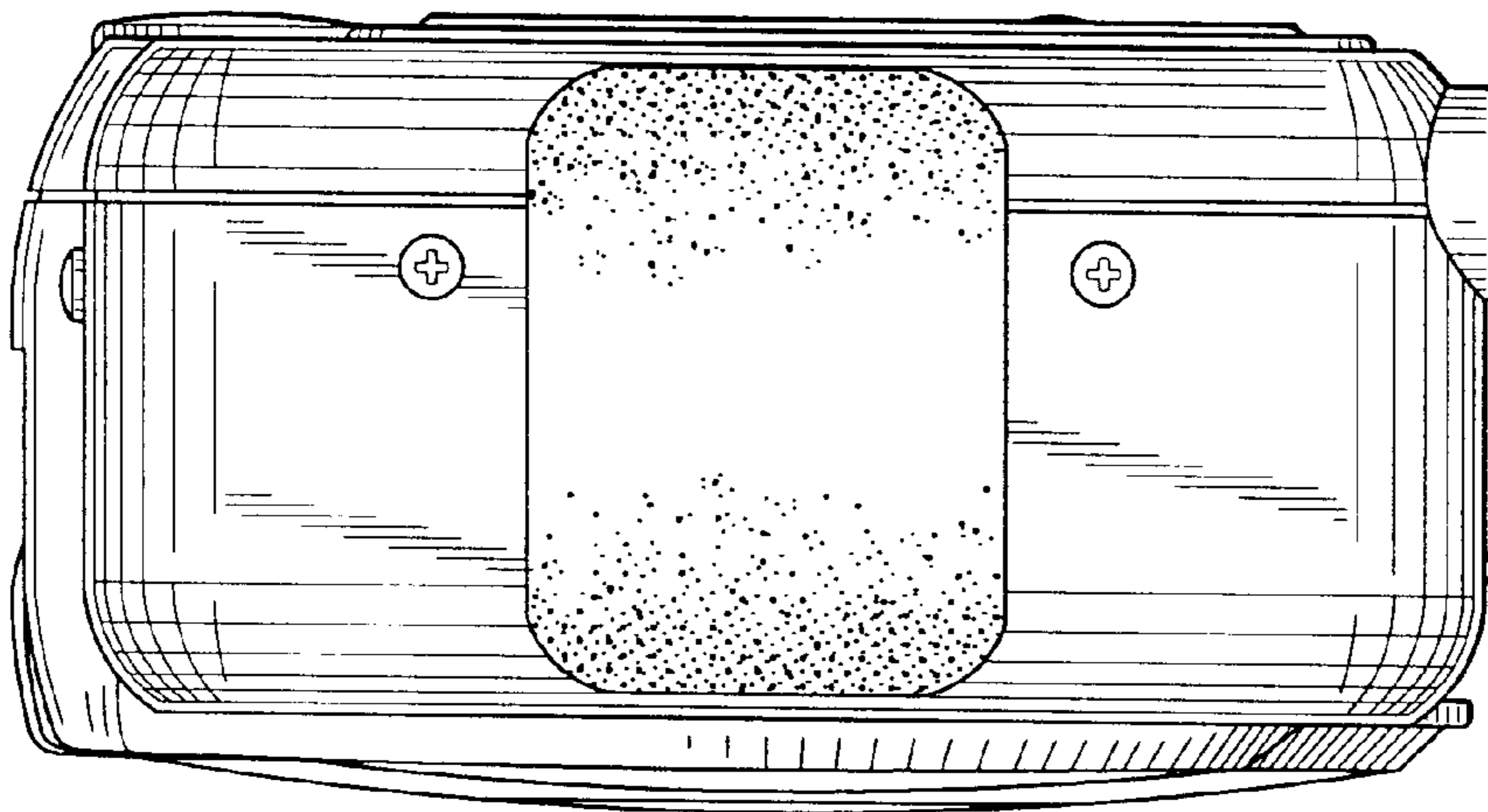


FIG. 8

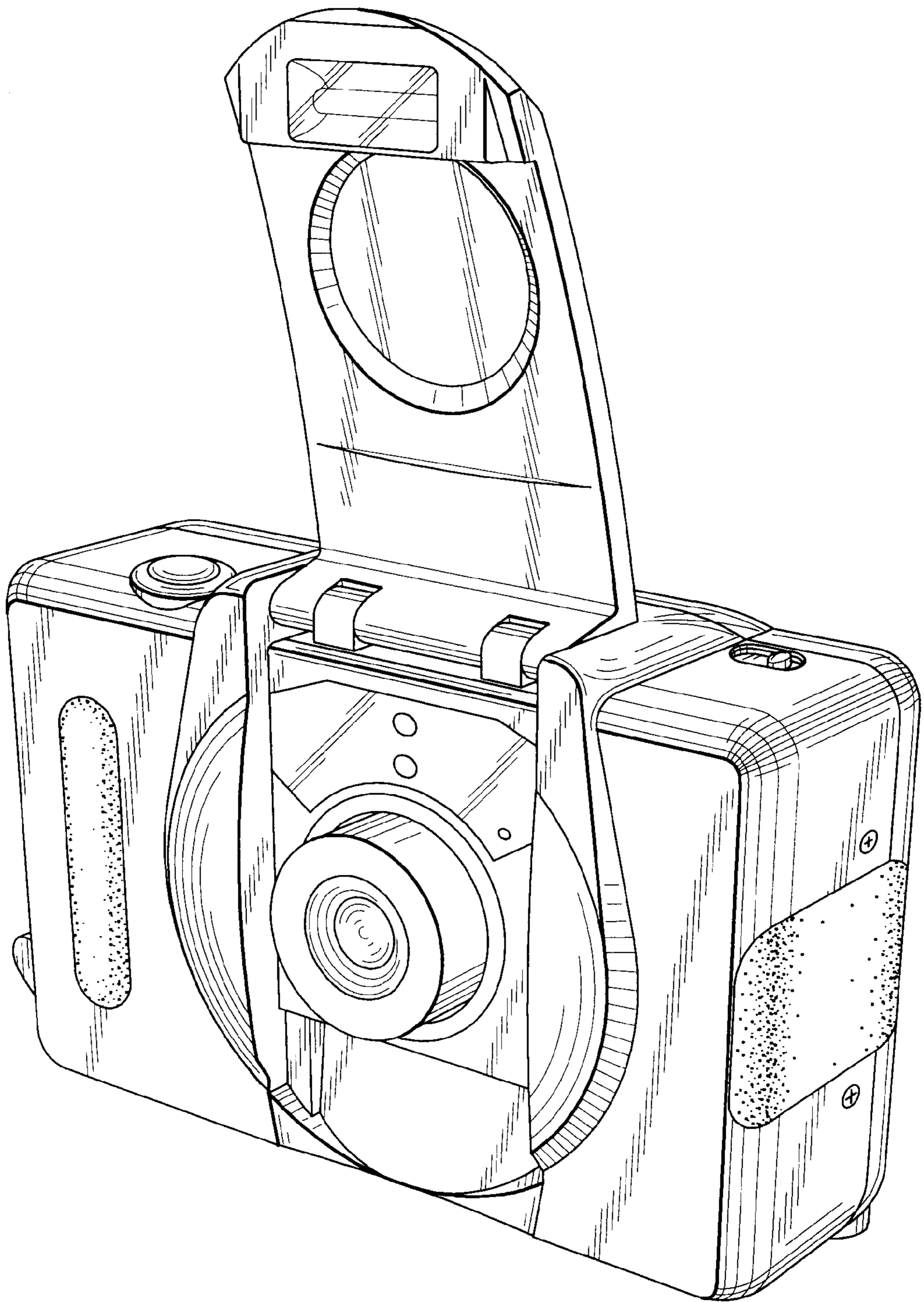


FIG. 9

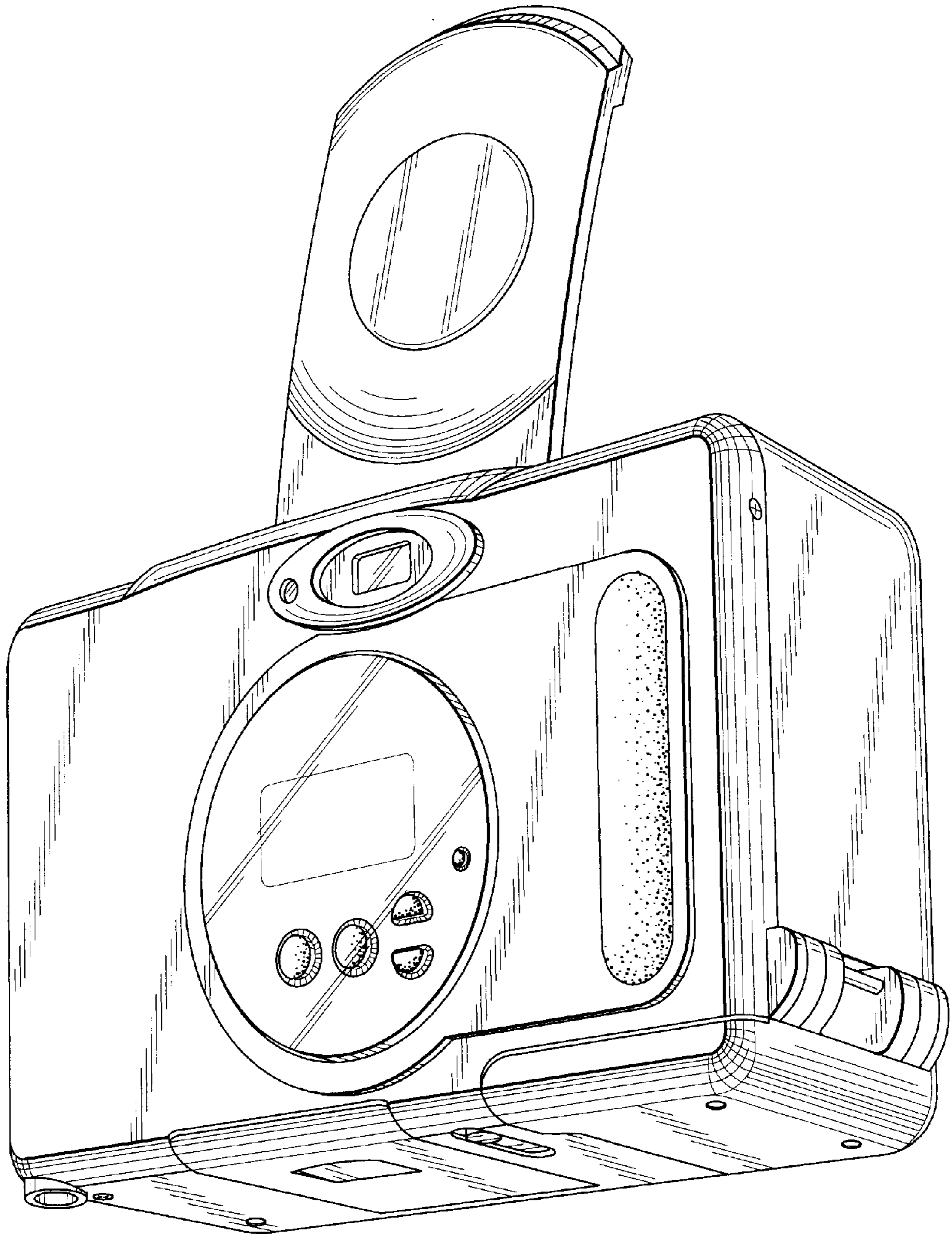


FIG. 10