



US00D413613S

**United States Patent** [19]  
**Katayama**

[11] **Patent Number: Des. 413,613**

[45] **Date of Patent: \*\* Sep. 7, 1999**

[54] **DIGITAL STILL CAMERA**

OTHER PUBLICATIONS

[75] Inventor: **Noriko Katayama**, Tokyo, Japan

Complete Guide to Digital Camera, p. 42 (Casio's QV-10A), Feb. 1997.

[73] Assignee: **Fuji Photo Film Co., Ltd.**, Kanagawa, Japan

*Primary Examiner*—Adir Aronovich  
*Attorney, Agent, or Firm*—Young & Thompson

[\*\*] Term: **14 Years**

[57] **CLAIM**

[21] Appl. No.: **29/092,885**

The ornamental design for a digital still camera, as shown and described.

[22] Filed: **Aug. 28, 1998**

**DESCRIPTION**

[30] **Foreign Application Priority Data**

Mar. 4, 1998 [JP] Japan ..... 10-6165

[51] **LOC (6) Cl.** ..... **16-01**

[52] **U.S. Cl.** ..... **D16/202; D16/218**

[58] **Field of Search** ..... D16/200-205,  
D16/208, 209, 216-218; 348/373-376;  
358/906, 909.1; 396/535-543

FIG. 1 is a top, front and side perspective view of a digital still camera showing my new design;  
FIG. 2 is a front elevational view thereof;  
FIG. 3 is a rear elevational view thereof;  
FIG. 4 is a top plan view thereof;  
FIG. 5 is a bottom plan view thereof;  
FIG. 6 is a side elevational view thereof from the right of FIG. 2;  
FIG. 7 is a side elevational view thereof from the left of FIG. 2; and,  
FIG. 8 is a view similar to FIG. 2 but showing the digital still camera in an alternative position thereof in which a taking lens is closed with a cover.

[56] **References Cited**

**U.S. PATENT DOCUMENTS**

D. 384,088	9/1997	Isozaki et al.	.....	D16/202
D. 387,078	12/1997	Akita	.....	D16/202
D. 392,659	3/1998	Takano	.....	D16/202
D. 397,347	8/1998	Katayama	.....	D16/202
4,530,014	7/1985	De Costemore D'Arc	.....	358/909.1

**1 Claim, 4 Drawing Sheets**

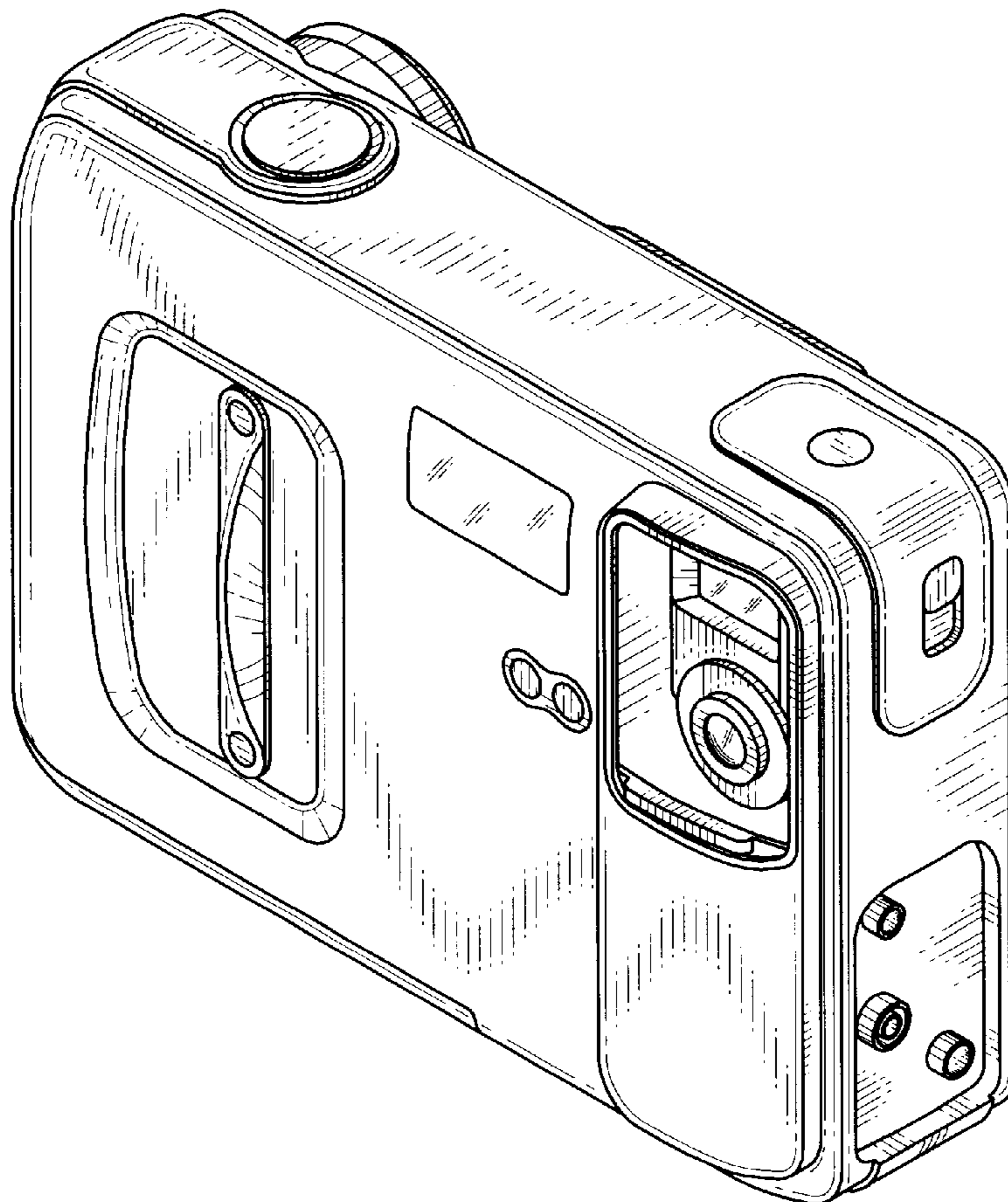


Fig. 1

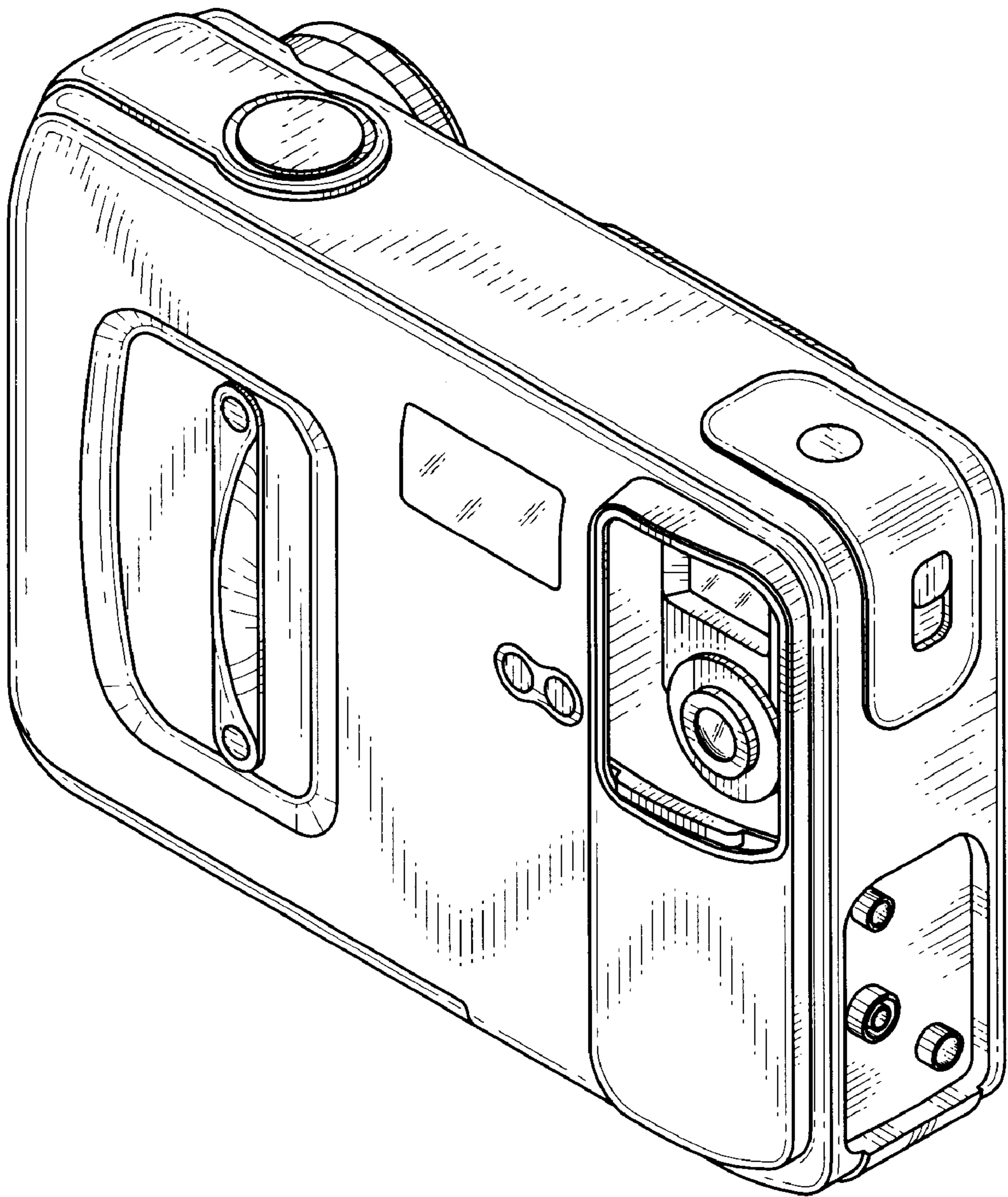


Fig. 2

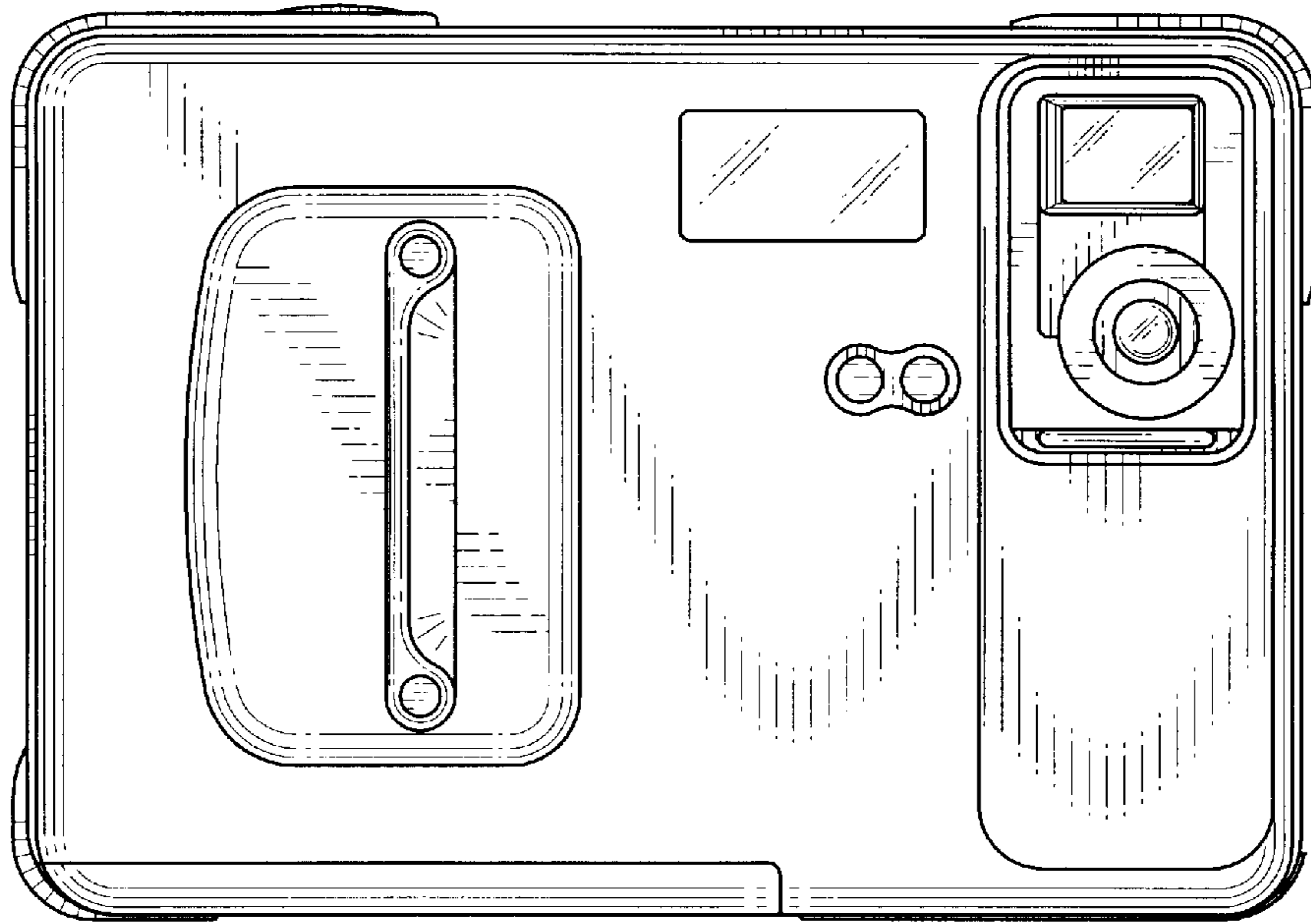


Fig. 3

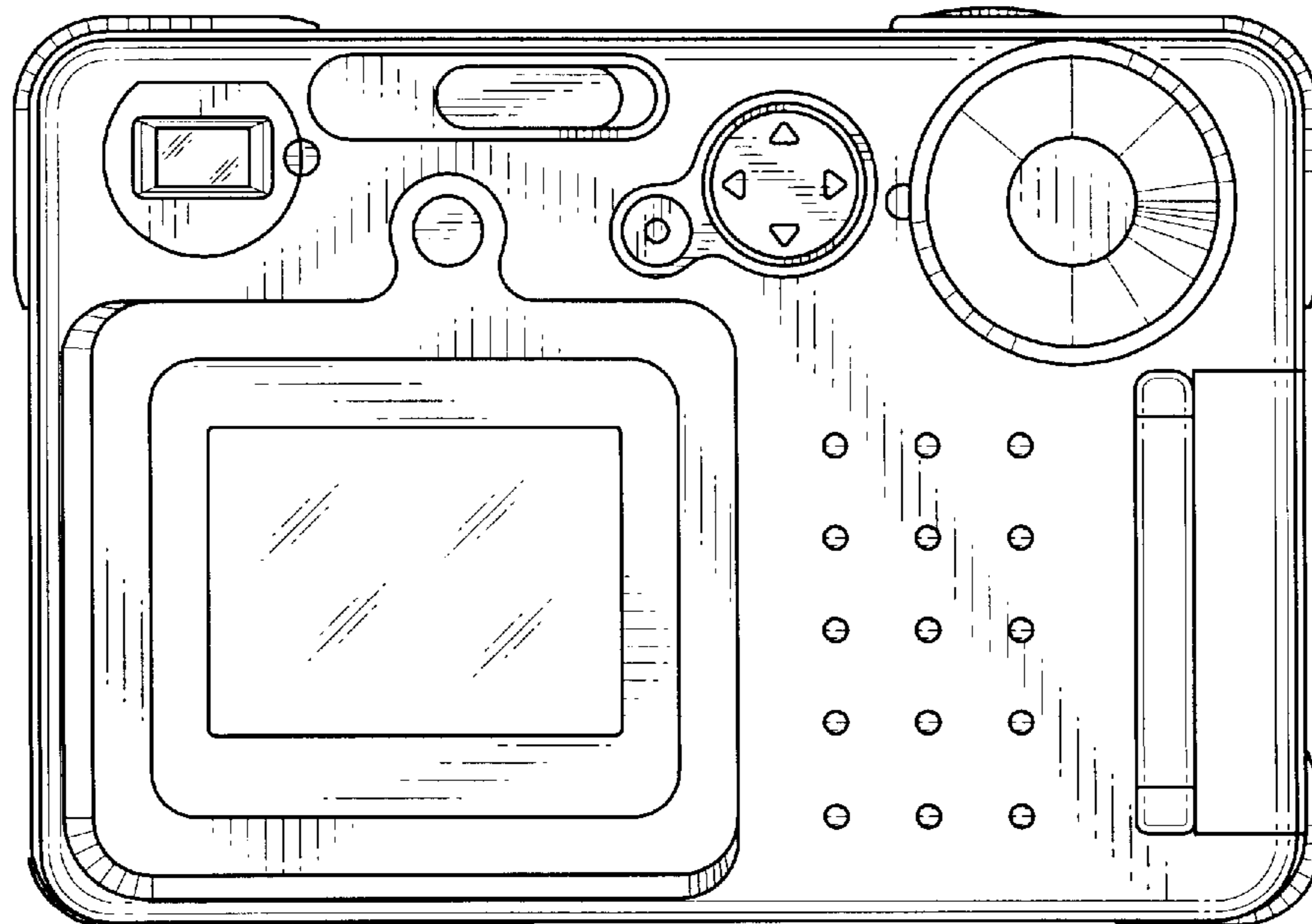


Fig. 4

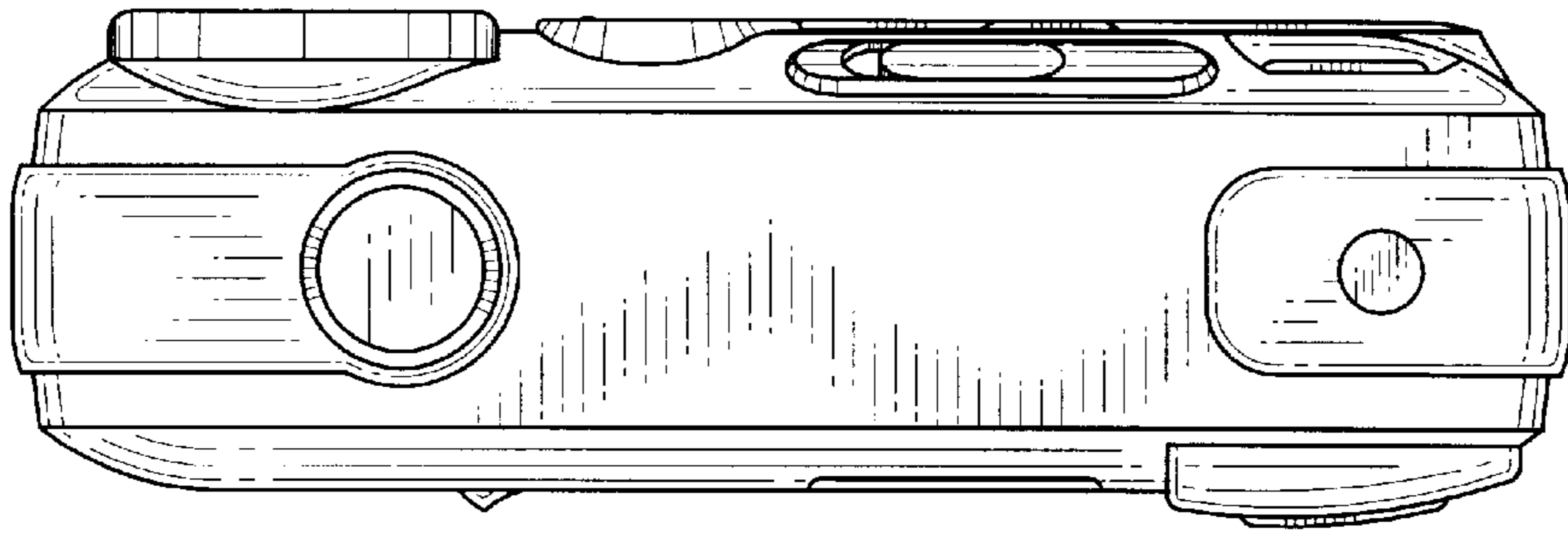


Fig. 5

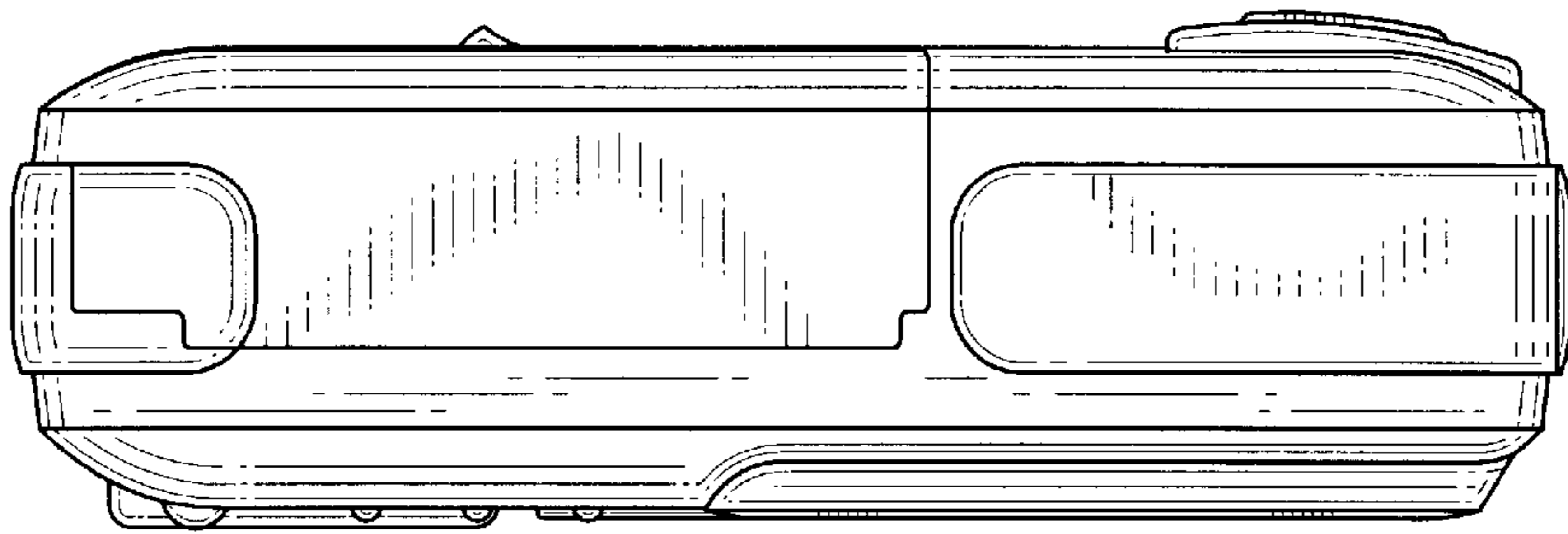


Fig. 7

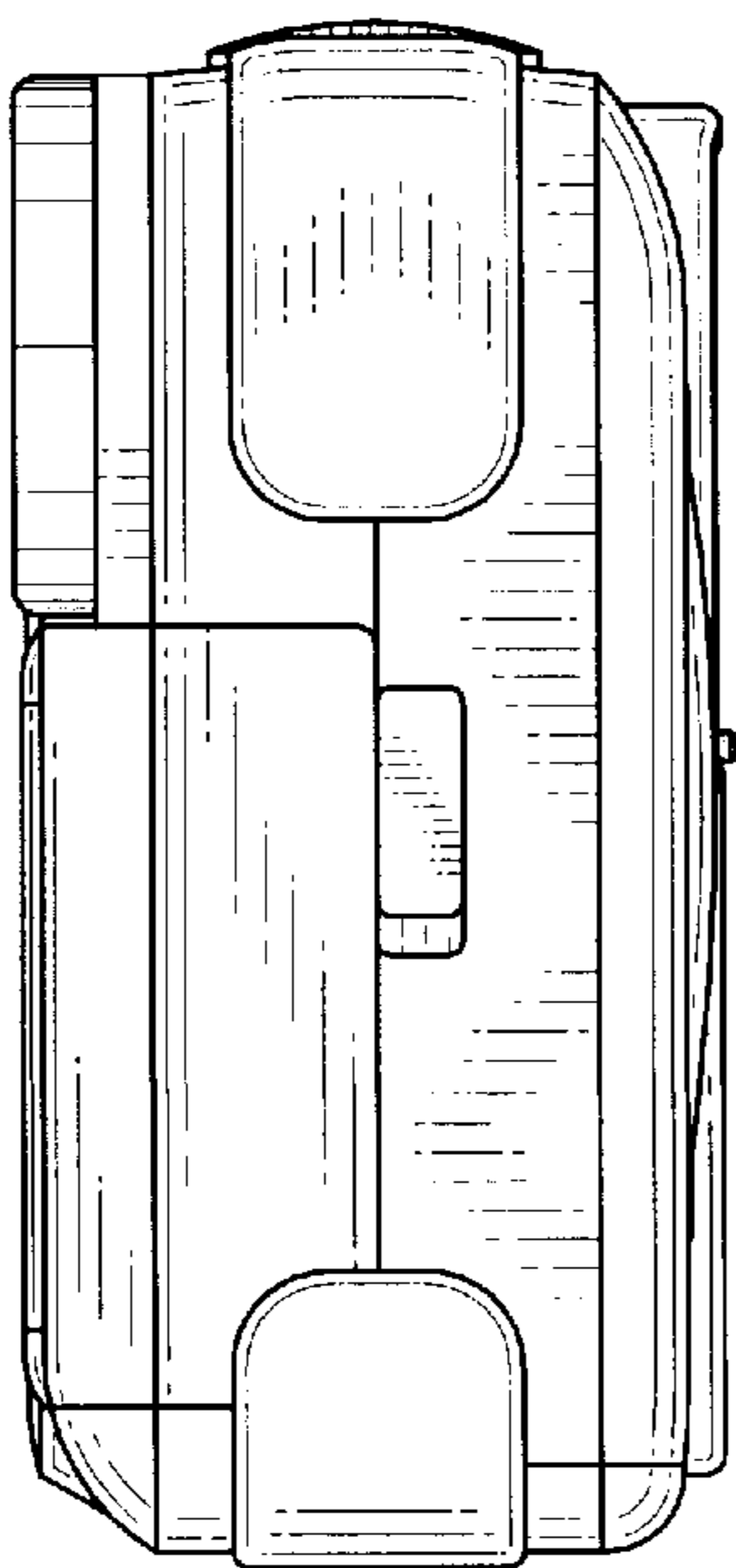


Fig. 6

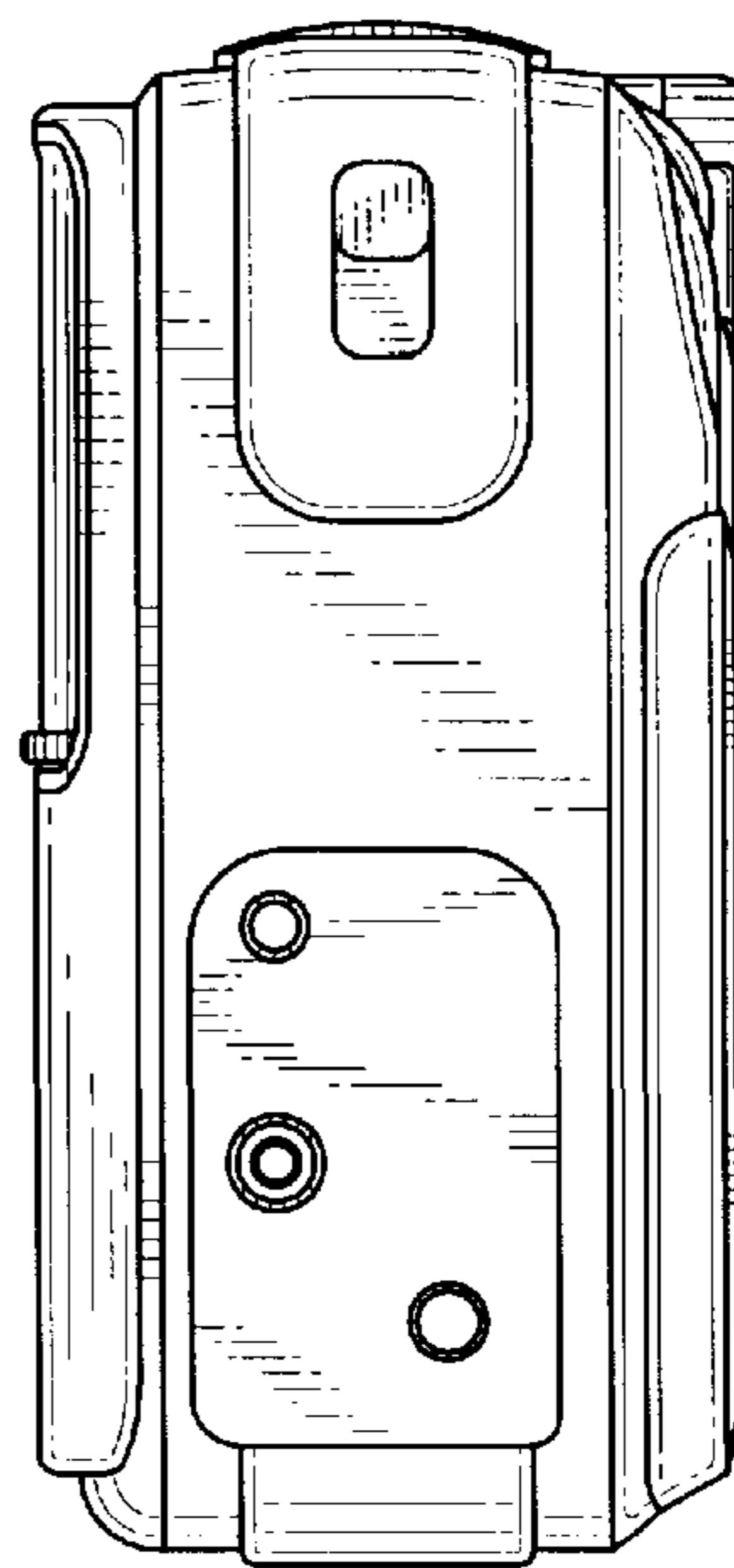


Fig. 8

