



US00D413607S

United States Patent [19] Lindahl

[11] Patent Number: **Des. 413,607**

[45] Date of Patent: **** Sep. 7, 1999**

[54] **HANDS FREE HOLDER**

[75] Inventor: **Richard Lindahl**, Malmö, Sweden

[73] Assignee: **Telefonaktiebolaget LM Ericsson**, Stockholm, Sweden

[**] Term: **14 Years**

[21] Appl. No.: **29/062,519**

[22] Filed: **Nov. 18, 1996**

[30] Foreign Application Priority Data

May 17, 1996 [SE] Sweden 96-1135

[51] **LOC (6) Cl.** **14-03**

[52] **U.S. Cl.** **D14/253**

[58] **Field of Search** D14/137, 138,
D14/140, 142, 147-151, 240, 114, 251-253;
379/419, 420, 428, 440, 454, 455, 436,
435, 434; 455/89, 90; D13/107, 108

[56] References Cited

U.S. PATENT DOCUMENTS

- D. 323,504 1/1992 Langton D14/142
- D. 345,977 4/1994 Nagele D14/149
- D. 354,961 1/1995 Richards et al. D14/253

- D. 362,004 9/1995 Nakano et al. D14/149 X
- D. 367,065 2/1996 Wu D14/253
- D. 368,479 4/1996 Larson D14/149 X
- 4,903,325 2/1990 Yoshitake et al. 455/90 X
- 5,142,573 8/1992 Umezawa 455/90 X
- 5,187,744 2/1993 Richter 379/455 X
- 5,189,358 2/1993 Tomura et al. 455/89
- 5,568,548 10/1996 Repplinger 379/454 X

FOREIGN PATENT DOCUMENTS

- 0269096 6/1988 European Pat. Off. 379/455
- 5-167657 7/1993 Japan 379/455

Primary Examiner—Jeffrey Asch

Attorney, Agent, or Firm—Burns, Doane, Swecker & Mathis, L.L.P.

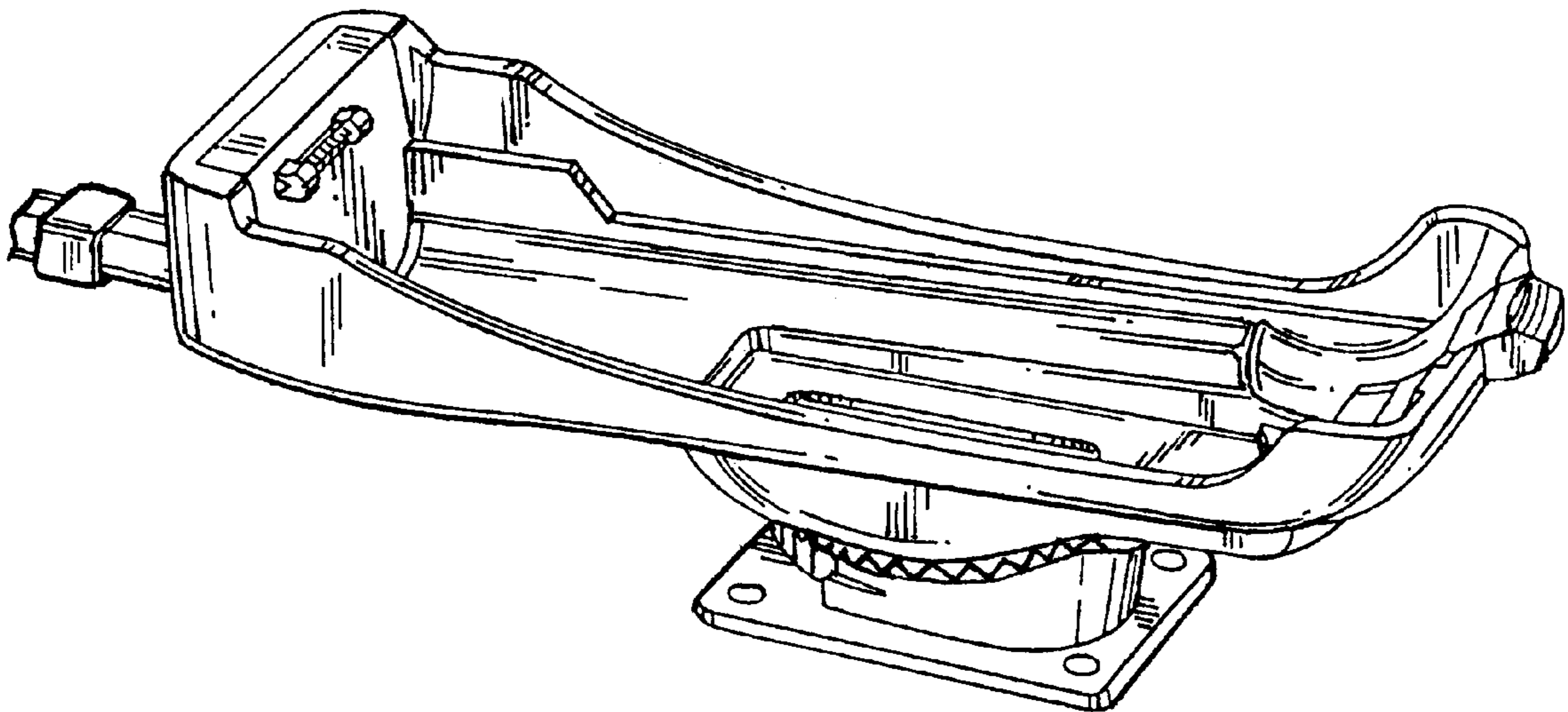
[57] CLAIM

I claim the ornamental design for the hands free holder, as shown and described.

DESCRIPTION

FIG. 1 is a bottom, rear, right perspective of the hands free holder incorporating my new design; and, FIG. 2 is a top, front, left perspective view thereof. Any surfaces of the article not shown do not form a part of the claimed design.

1 Claim, 1 Drawing Sheet



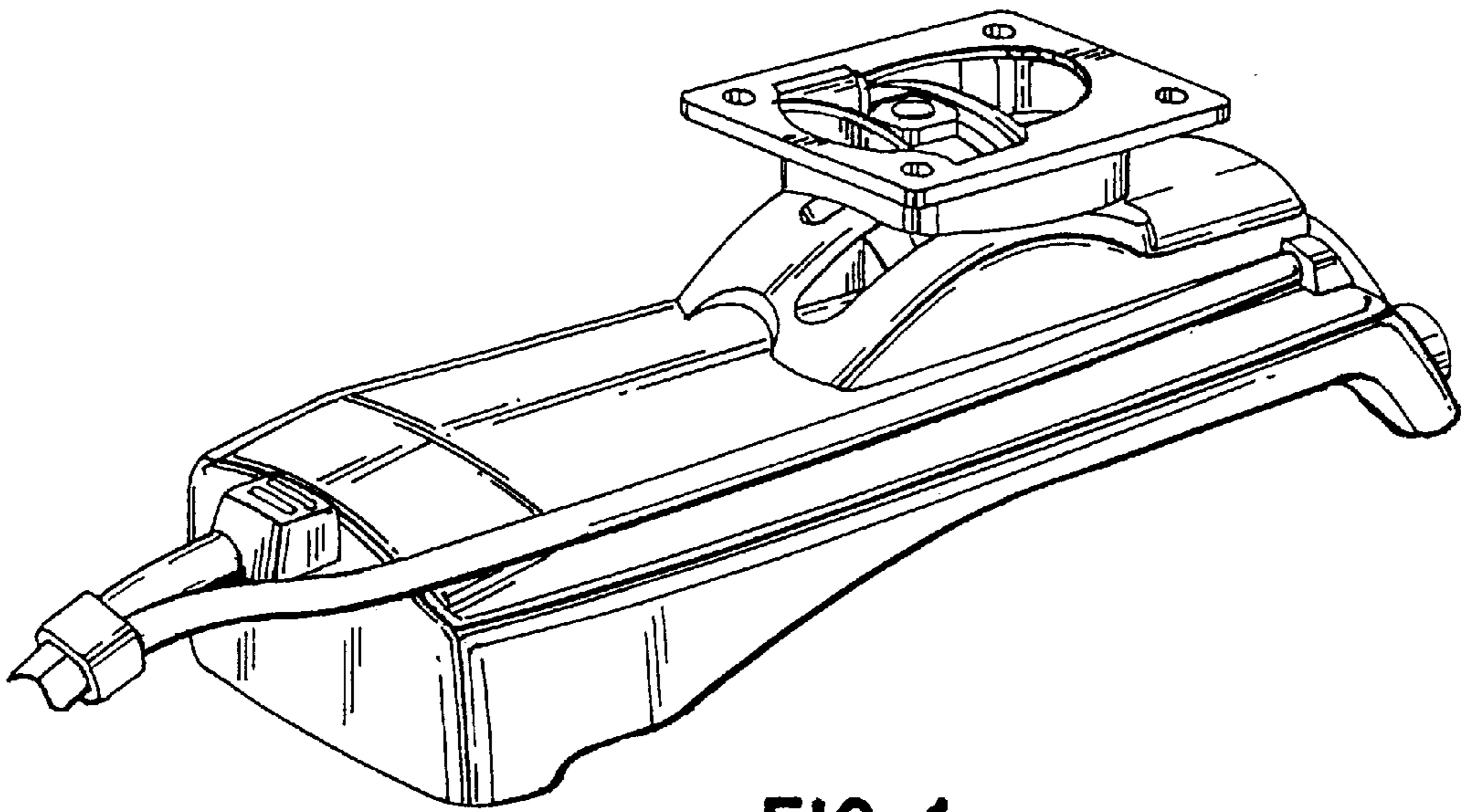


FIG. 1

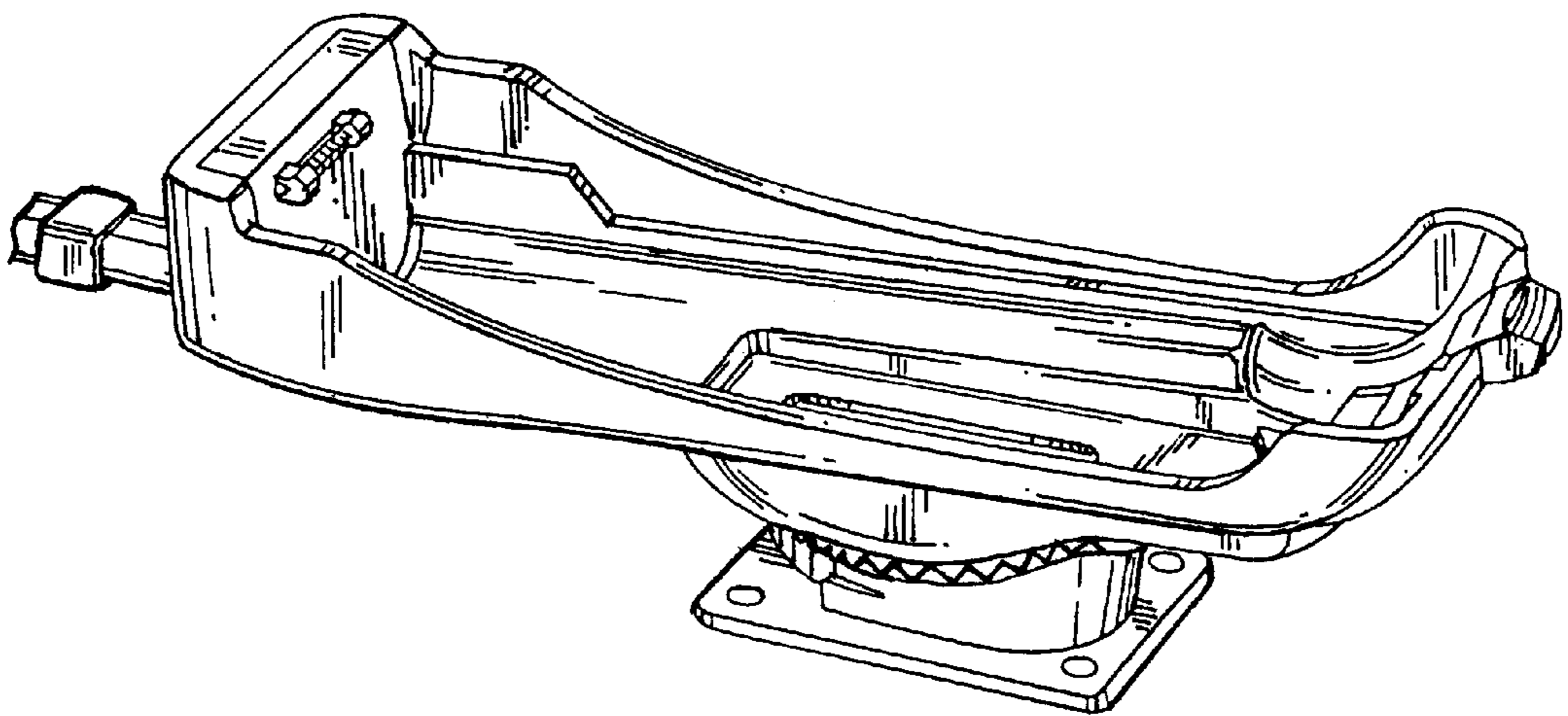


FIG. 2