



US00D413606S

United States Patent [19]

Gargasz et al.

[11] Patent Number: Des. 413,606

[45] Date of Patent: ** Sep. 7, 1999

[54] TELEPHONE COVER AND SHIELDING DEVICE

[75] Inventors: John M. Gargasz, Hollis; John Sirois, Goffstown, both of N.H.

[73] Assignee: Codem Systems, Inc., Merrimack, N.H.

[**] Term: 14 Years

[21] Appl. No.: 29/070,541

[22] Filed: May 9, 1997

[51] LOC (6) Cl. 14-03

[52] U.S. Cl. D14/250

[58] Field of Search D14/140, 240, D14/249, 250, 218; 379/451, 452, 447, 439, 437, 446; D3/218; D6/610; 343/702, 841; 224/236, 240, 929; 455/90, 556, 550, 575

[56] References Cited

U.S. PATENT DOCUMENTS

D. 302,075	7/1989	Burger	D3/218
D. 328,190	7/1992	Kashef	224/240 X
D. 368,095	3/1996	MacCallister, III	D14/218
D. 395,749	7/1998	Jayez	D3/218
4,546,217	10/1985	Frehn	379/452
5,335,366	8/1994	Daniels	455/90 X

5,338,896	8/1994	Danforth	343/841 X
5,444,866	8/1995	Cykiert	455/89
5,550,552	8/1996	Oxley	343/702
5,613,221	3/1997	Hunt	379/447 X
5,752,632	5/1998	Sanderson et al.	D3/218 X

Primary Examiner—Jeffrey Asch
Attorney, Agent, or Firm—Bourque & Associates P.A.

[57] CLAIM

The ornamental design for a telephone cover and shielding device, as shown herein.

DESCRIPTION

FIG. 1 is a right side elevational view of telephone cover and shielding device showing our new design;
 FIG. 2 is a left side elevational view thereof;
 FIG. 3 is a top plan view thereof;
 FIG. 4 is a bottom plan view thereof;
 FIG. 5 is a front perspective view of the telephone cover and shielding device used on a telephone shown with broken lines; and,
 FIG. 6 is a rear perspective view of the telephone cover and shielding device used on a telephone shown with broken lines.
 The broken line showing of a telephone in FIGS. 5 and 6 are for illustrative purposes only and form no part of the claimed design.

1 Claim, 4 Drawing Sheets

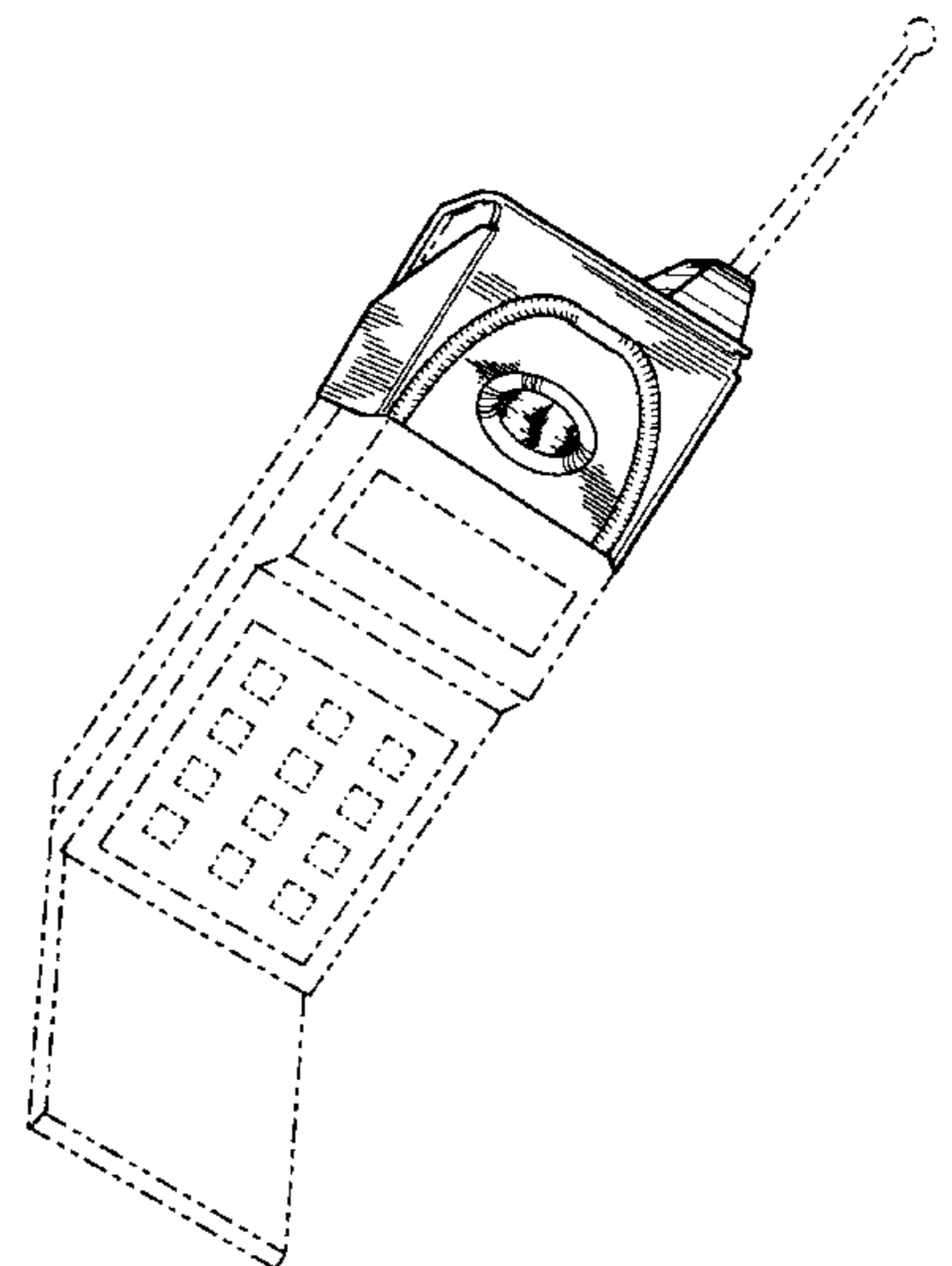
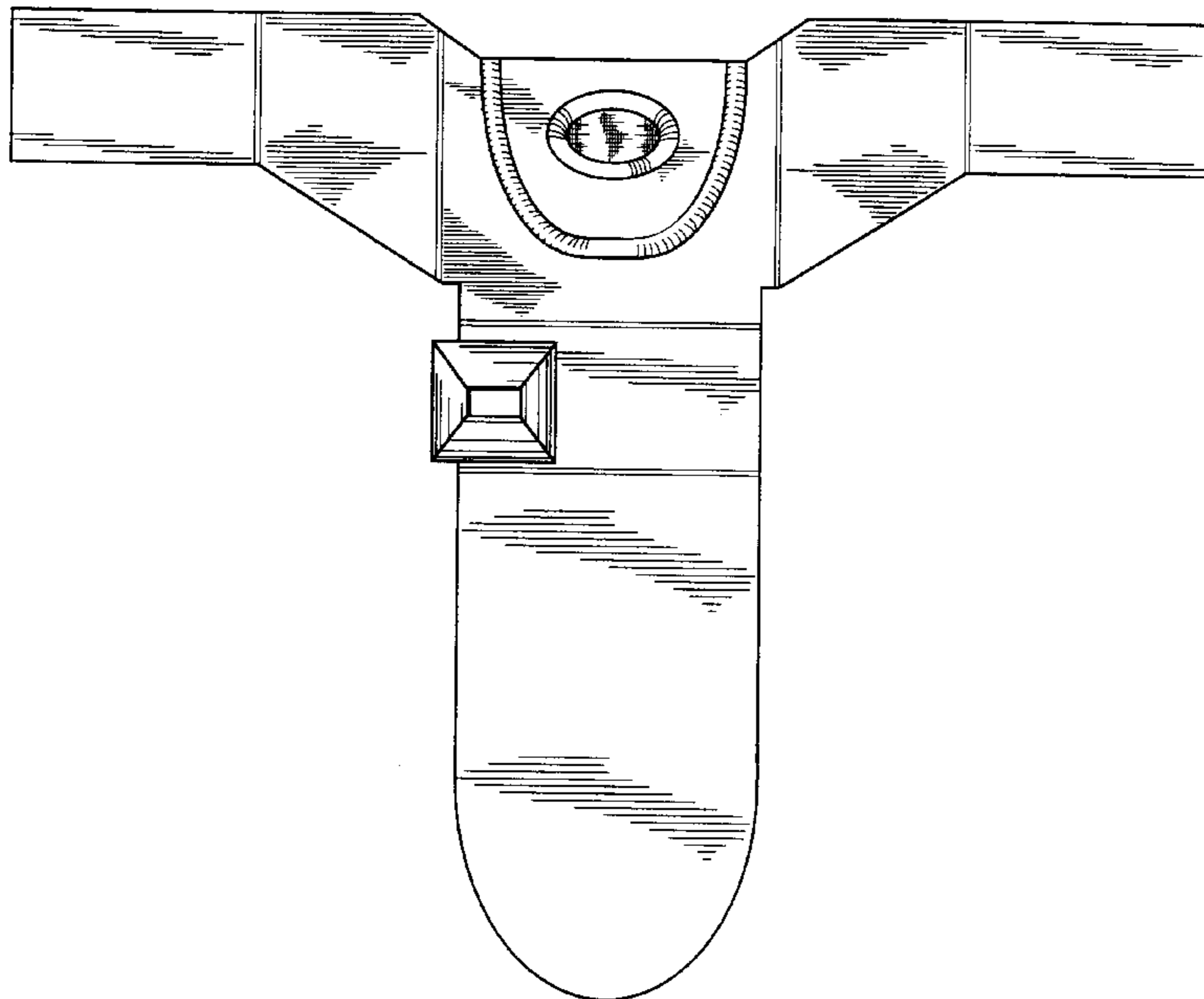




FIG. 1



FIG. 2

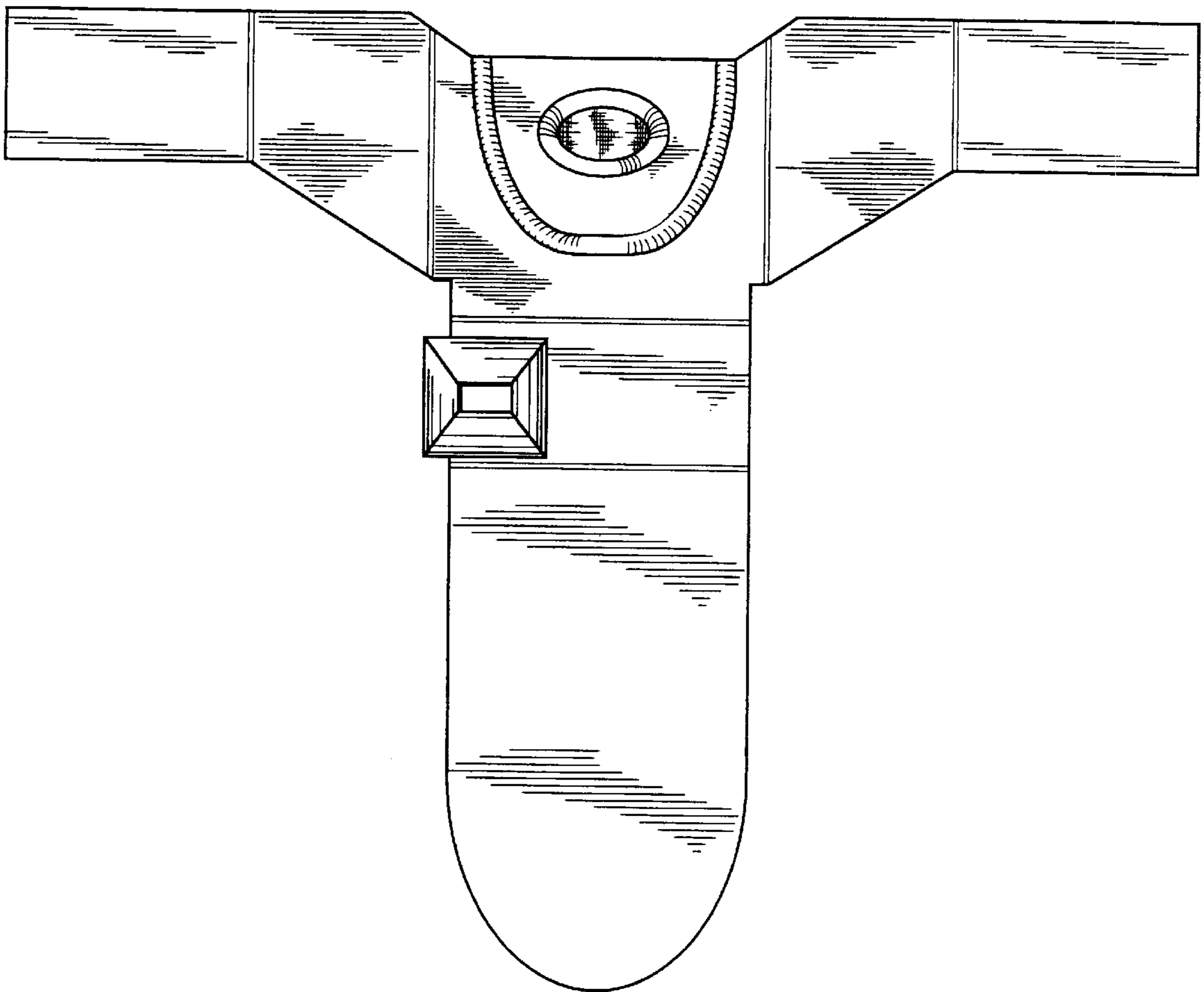


FIG. 3

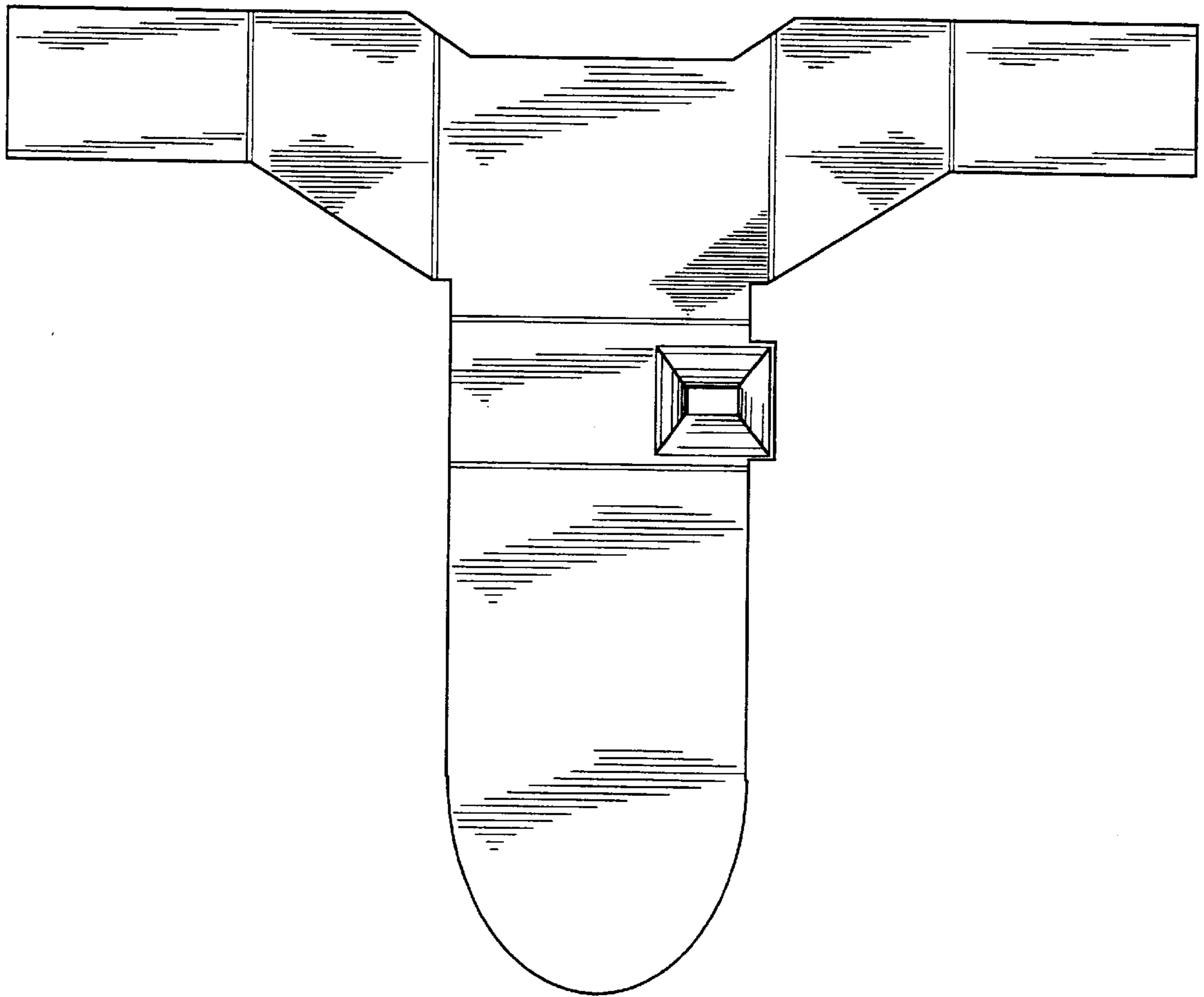


FIG. 4

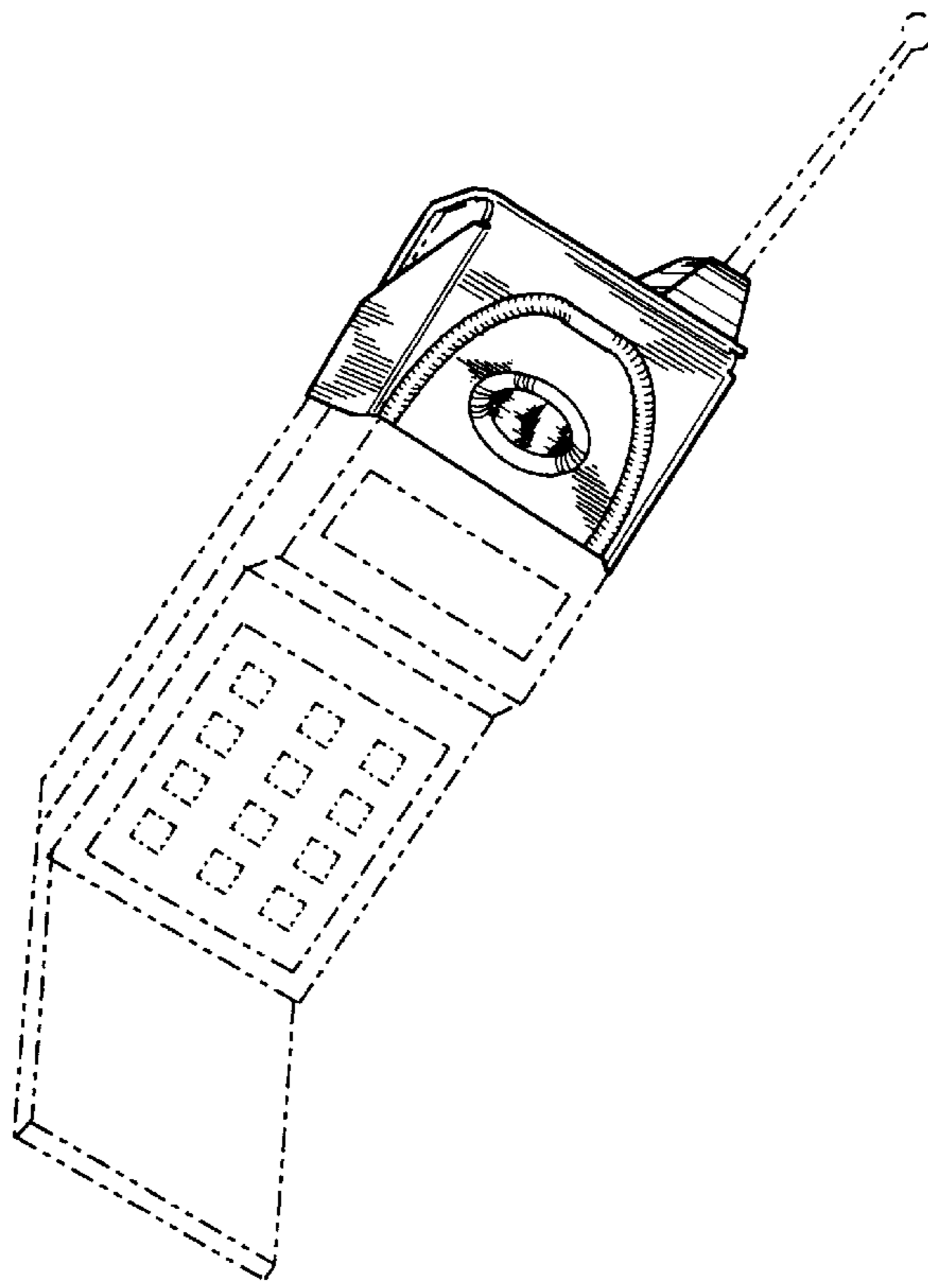


FIG. 5

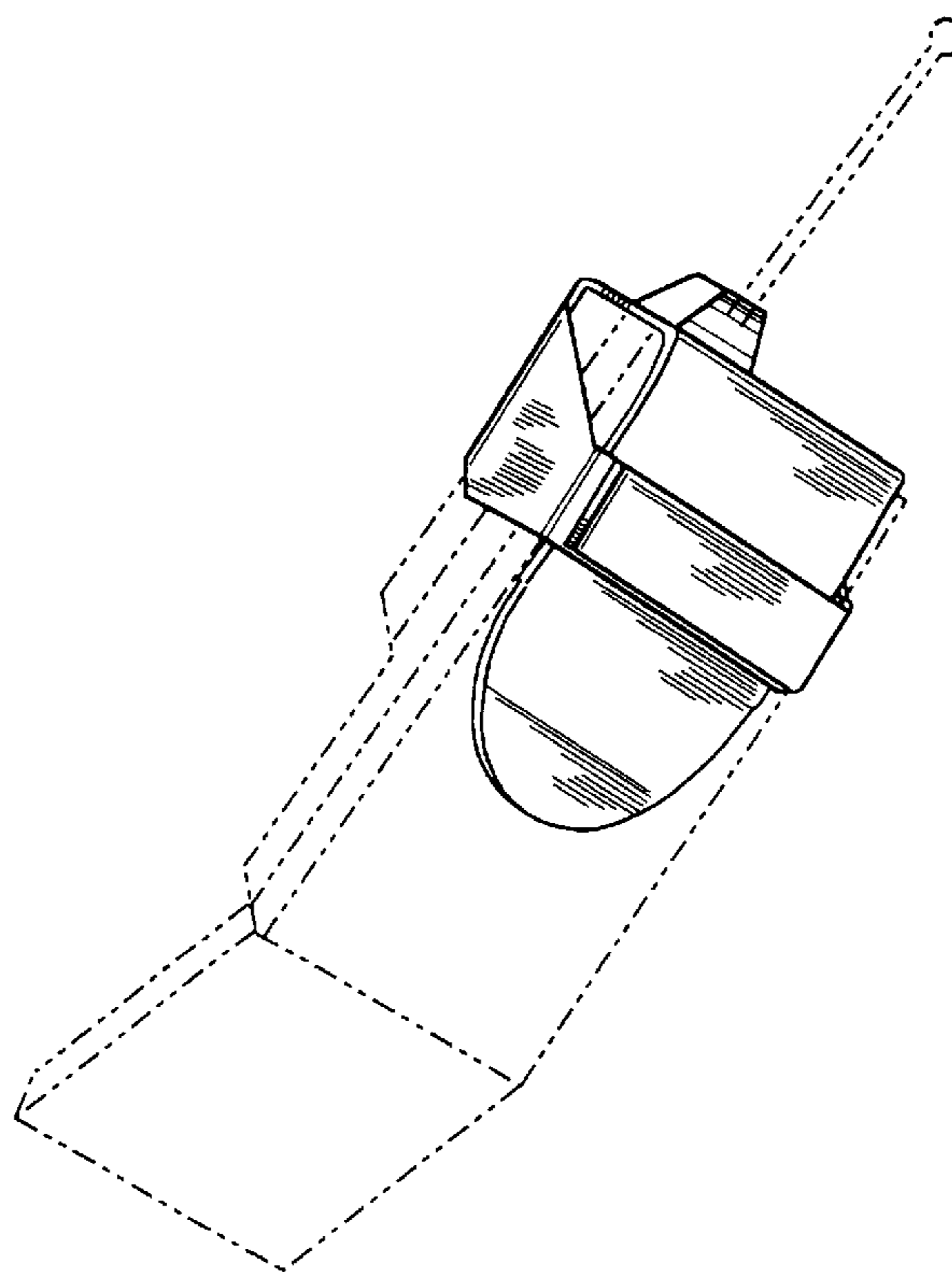


FIG. 6