



US00D413603S

# United States Patent [19]

Inoue

[11] Patent Number: **Des. 413,603**

[45] Date of Patent: **\*\* Sep. 7, 1999**

[54] **PARABOLIC ANTENNA**

[75] Inventor: **Shigemi Inoue**, Kobe, Japan

[73] Assignee: **DX Antenna Company, Limited**,  
Kobe, Japan

[\*\*] Term: **14 Years**

[21] Appl. No.: **29/082,325**

[22] Filed: **Jan. 20, 1998**

### [30] Foreign Application Priority Data

Jul. 22, 1997 [JP] Japan ..... 9-62358

[51] **LOC (6) Cl.** ..... **14-03**

[52] **U.S. Cl.** ..... **D14/231; 343/882**

[58] **Field of Search** ..... D14/230-238;  
343/878, 880, 840, 872, 881, 763, 720,  
912, 908, 907, 761, 882

### [56] References Cited

#### U.S. PATENT DOCUMENTS

- D. 322,254 12/1991 Su ..... D14/231
- D. 362,443 9/1995 Inoue ..... D14/231
- D. 362,444 9/1995 Schneeman ..... D14/231

- D. 389,155 1/1998 Inoue ..... D14/231
- 5,526,010 6/1996 Plunk ..... 343/882
- 5,576,722 11/1996 Bustillos ..... 343/882
- 5,647,567 7/1997 Pugh, Jr. et al. .... 343/882

*Primary Examiner*—Louis S. Zarfes  
*Assistant Examiner*—Gregory Andoll  
*Attorney, Agent, or Firm*—William H. Murray

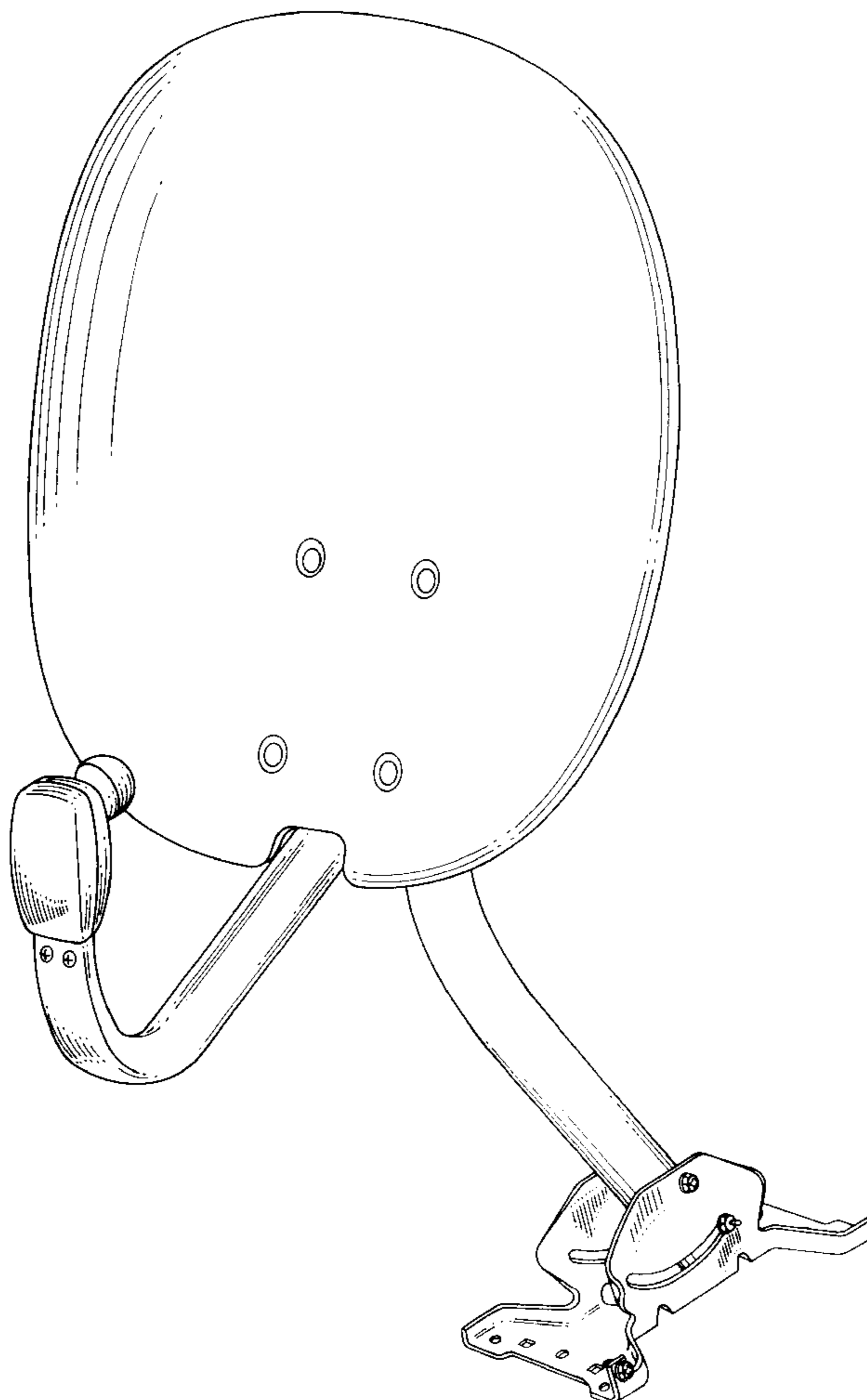
### [57] CLAIM

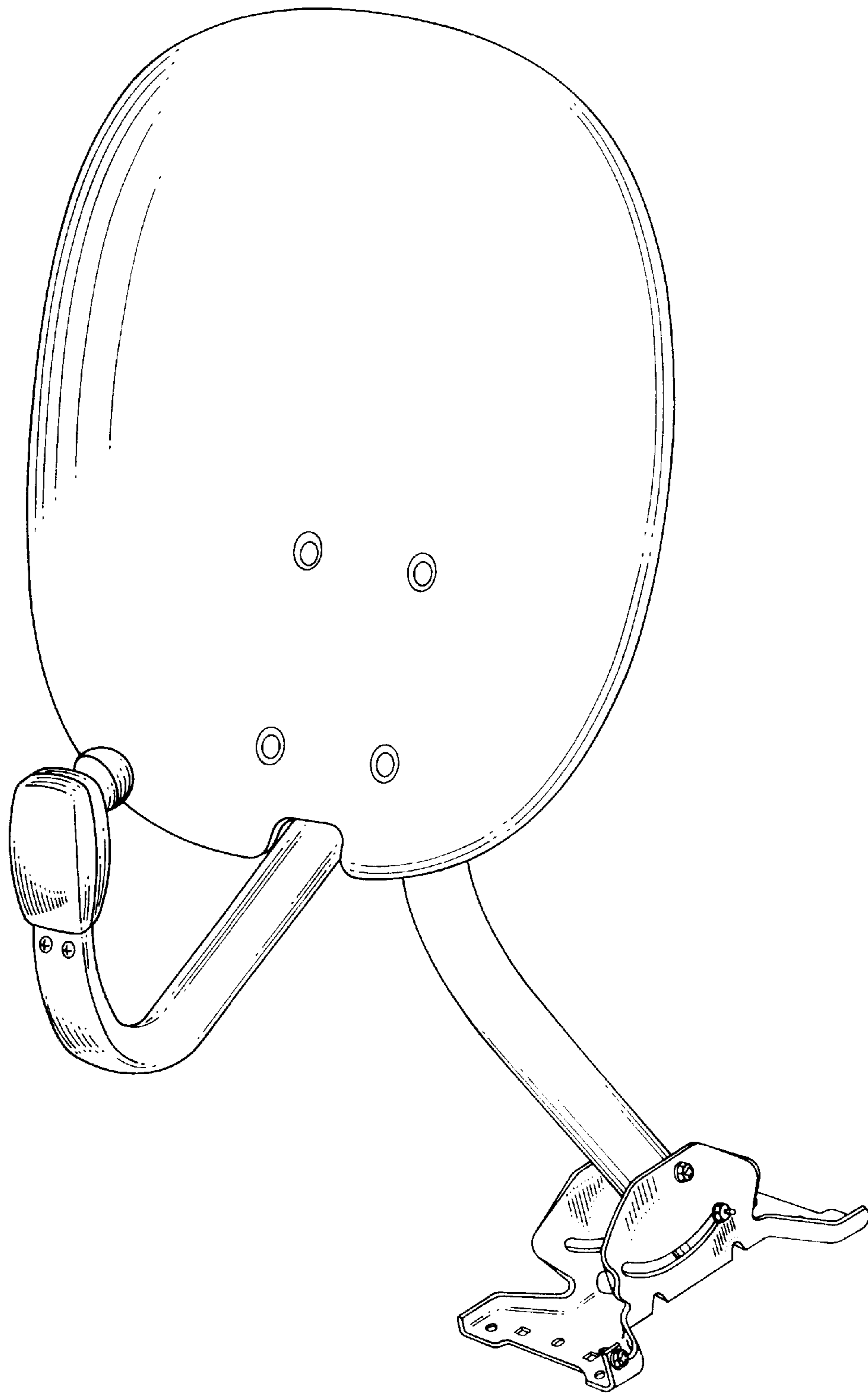
The ornamental design for a parabolic antenna, as shown and described.

### DESCRIPTION

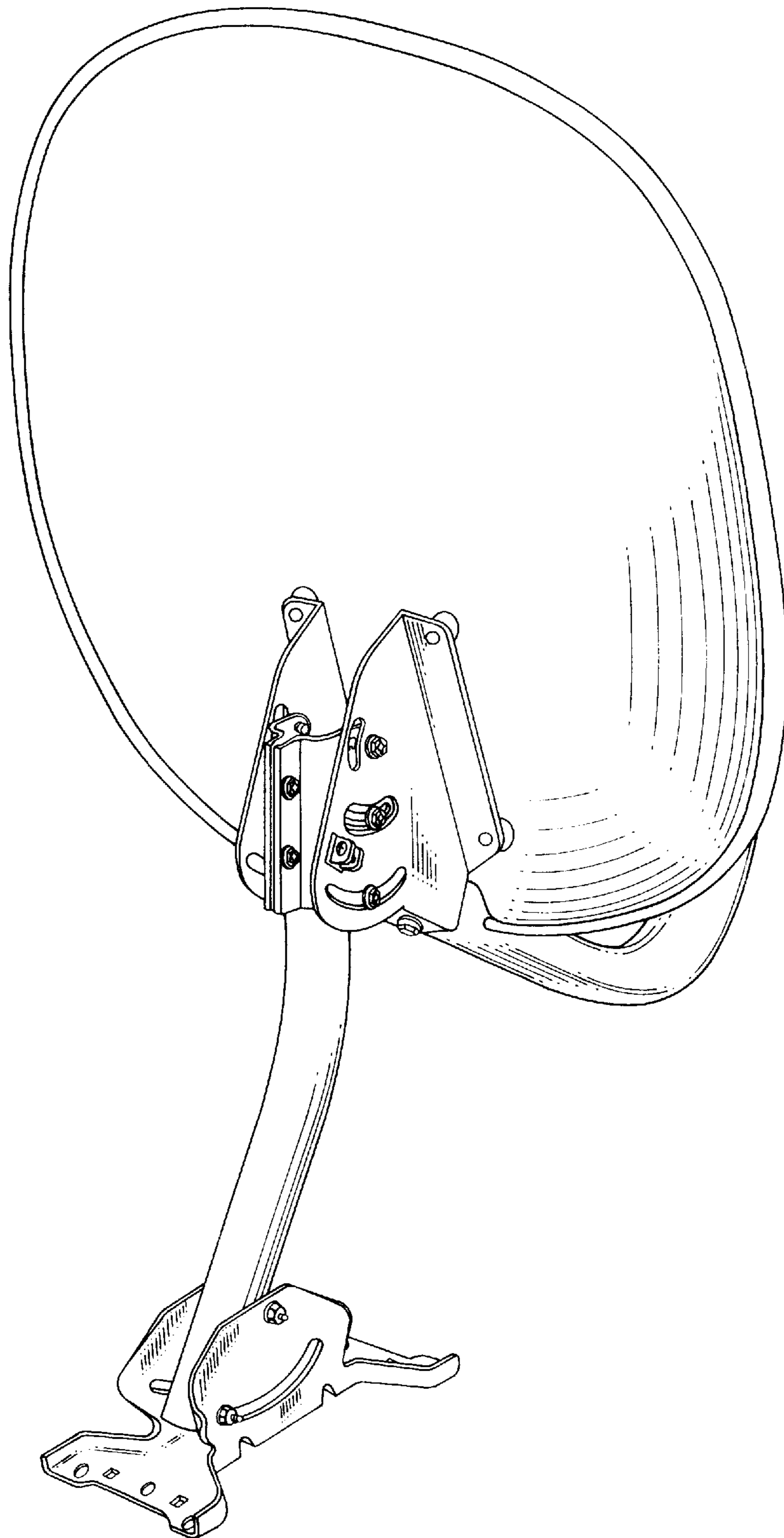
FIG. 1 is a front and right side perspective view of a parabolic antenna showing my new design; FIG. 2 is a rear and left side perspective view thereof; FIG. 3 is a front elevational view thereof; FIG. 4 is a rear elevational view thereof; FIG. 5 is a right side elevational view thereof; FIG. 6 is a left side elevational view thereof; FIG. 7 is a top plan view thereof; FIG. 8 is a bottom plan view thereof; and, FIG. 9 is a cross-sectional view along the line IX—IX in FIG. 3.

**1 Claim, 9 Drawing Sheets**

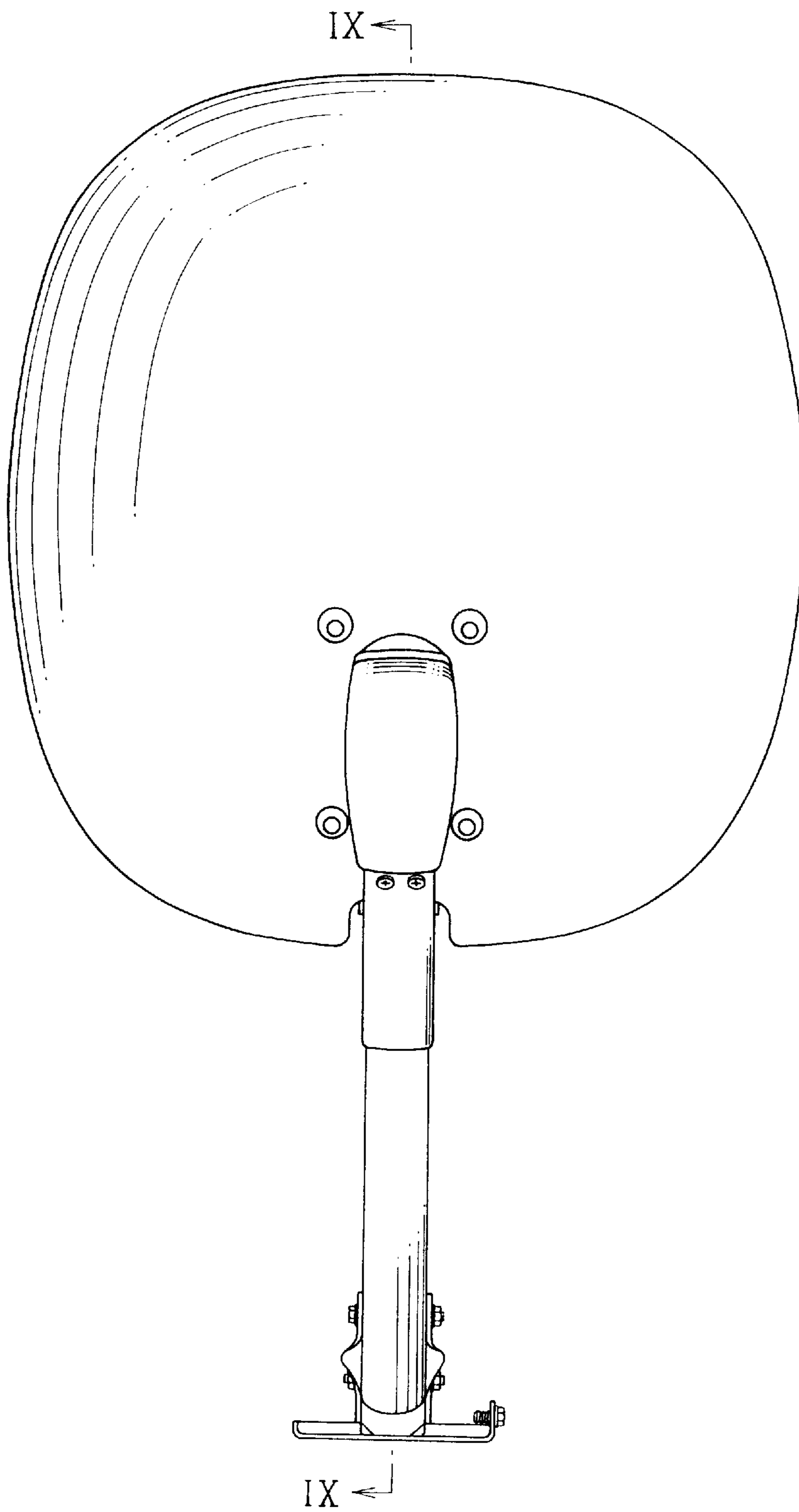




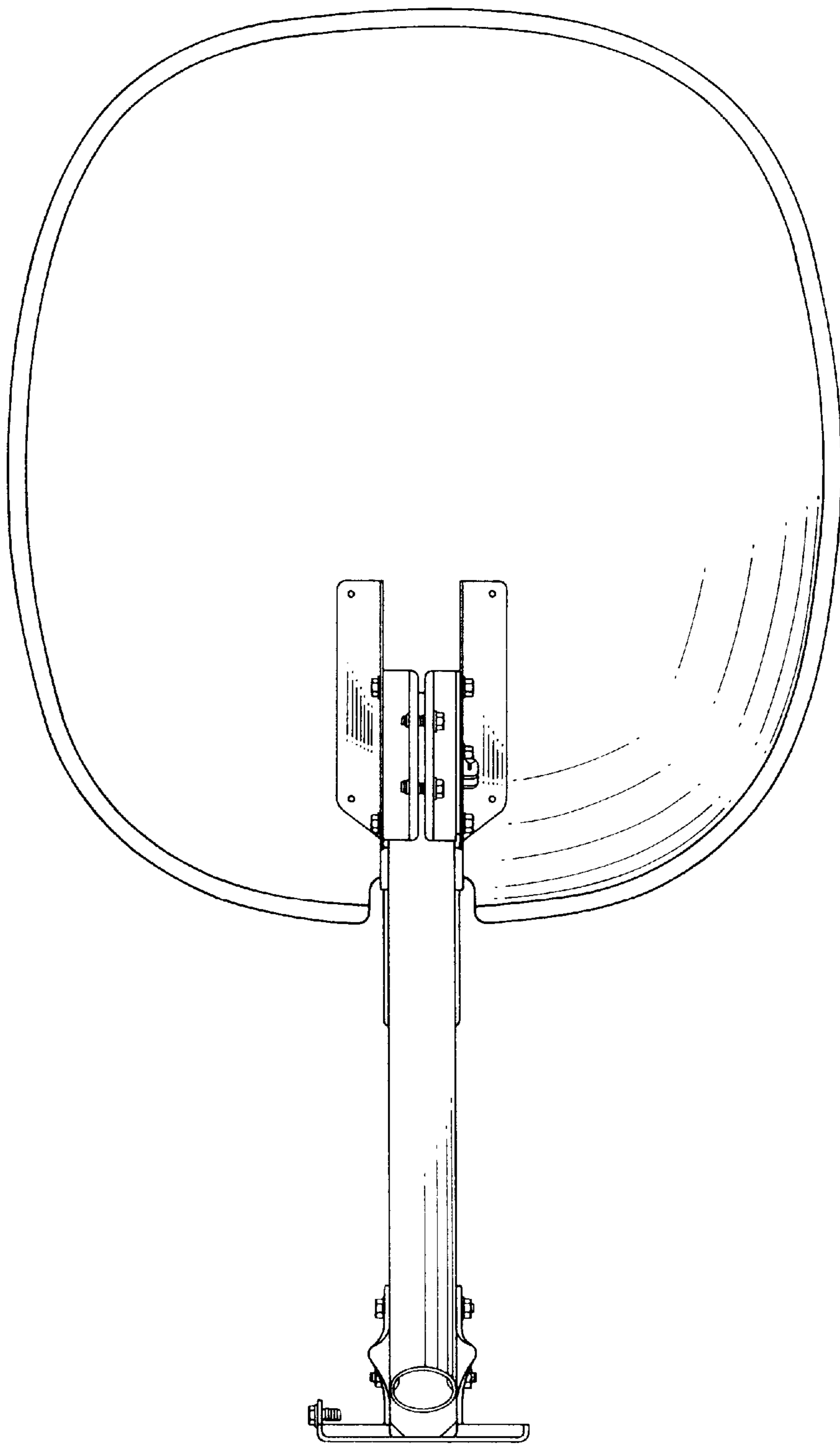
F I G . 1



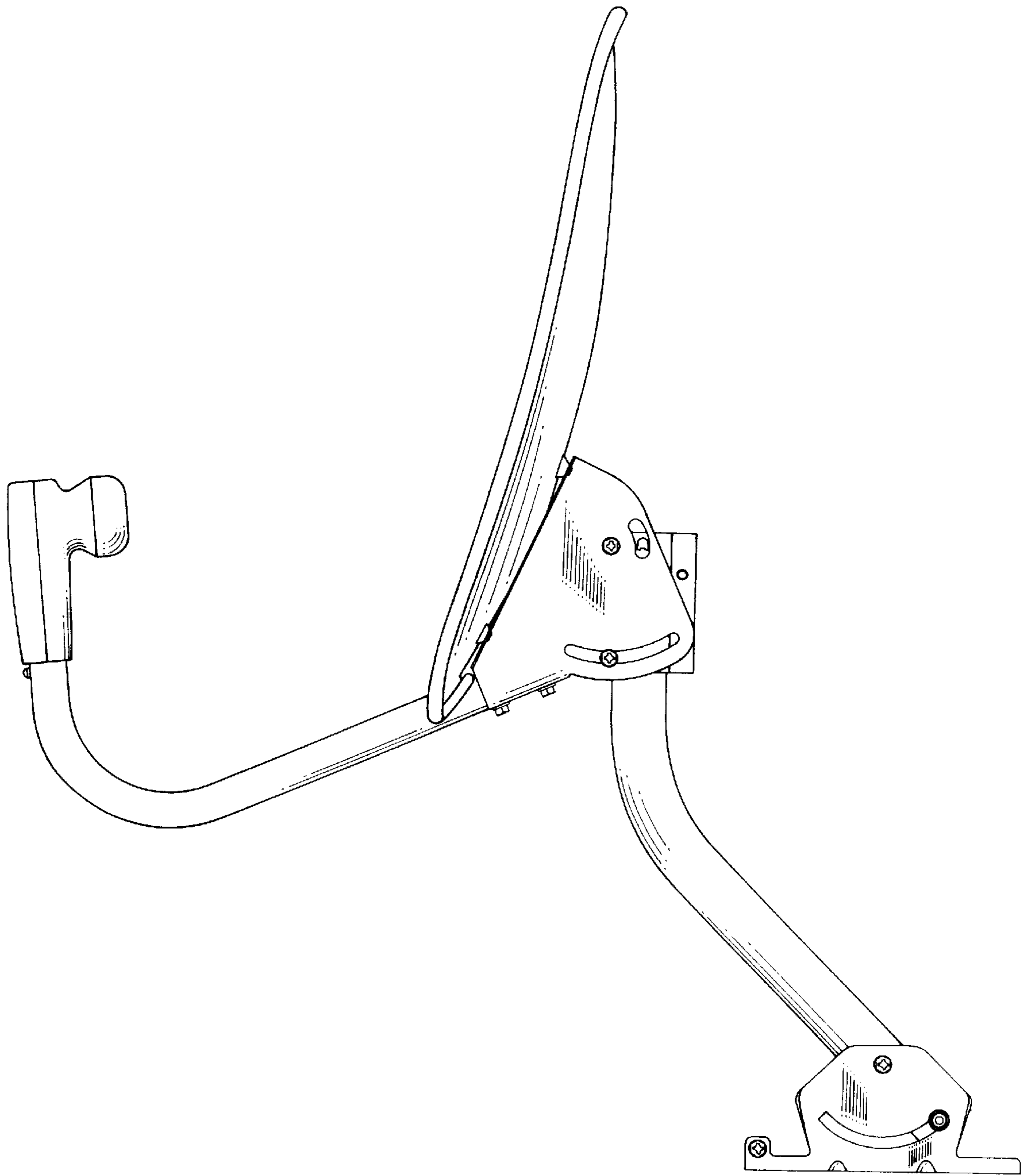
F I G . 2



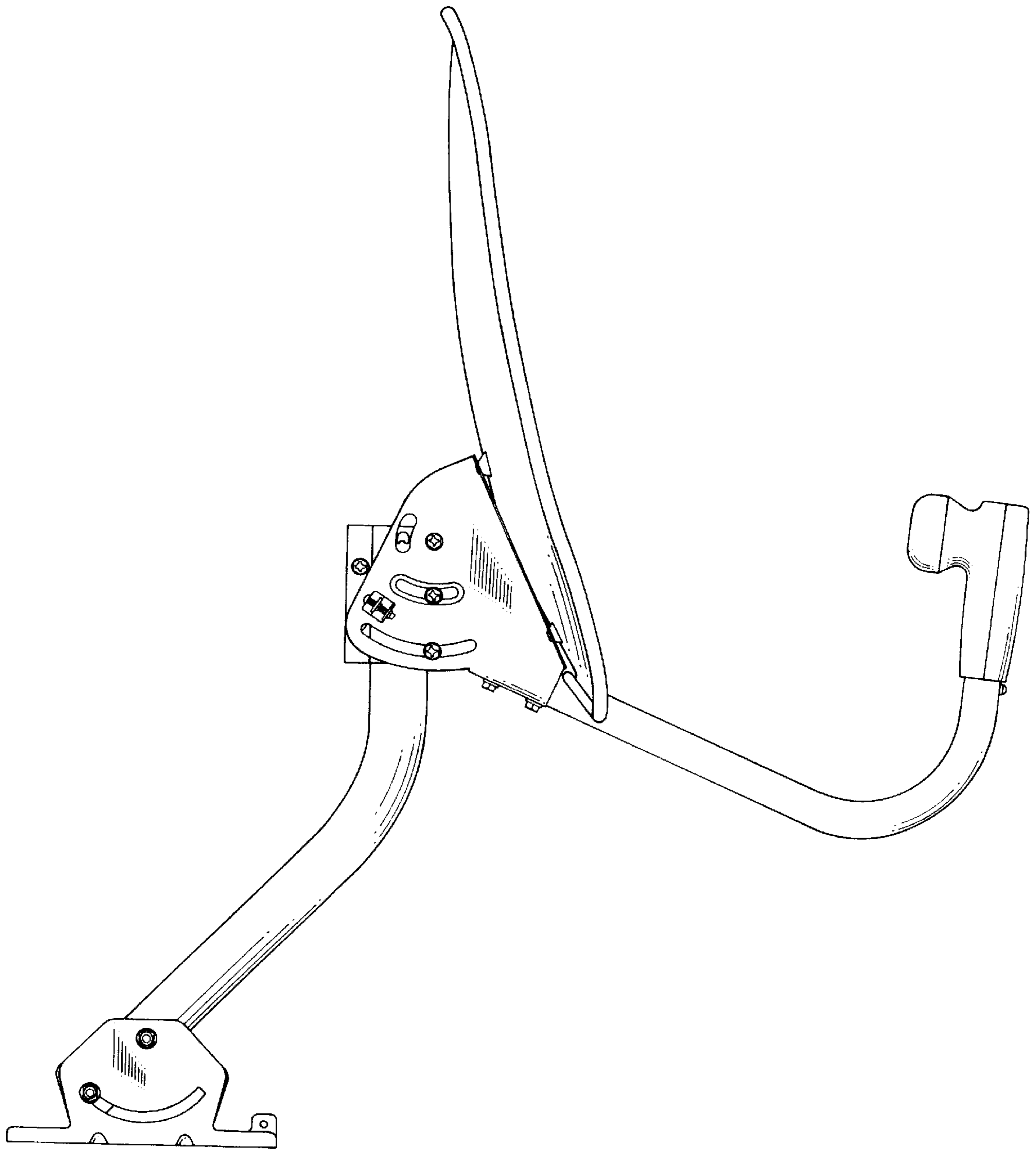
F I G . 3



F I G . 4

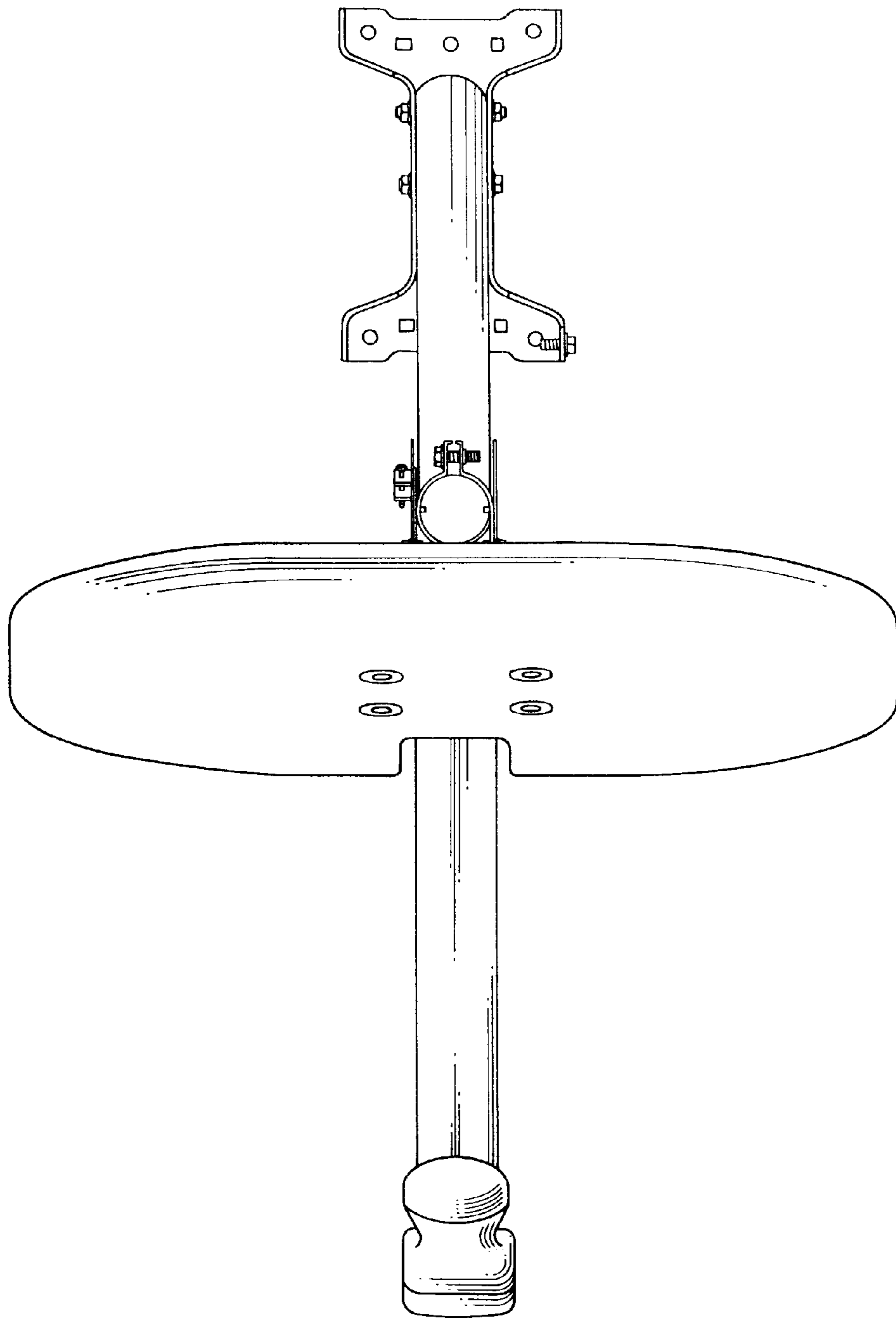


F I G . 5



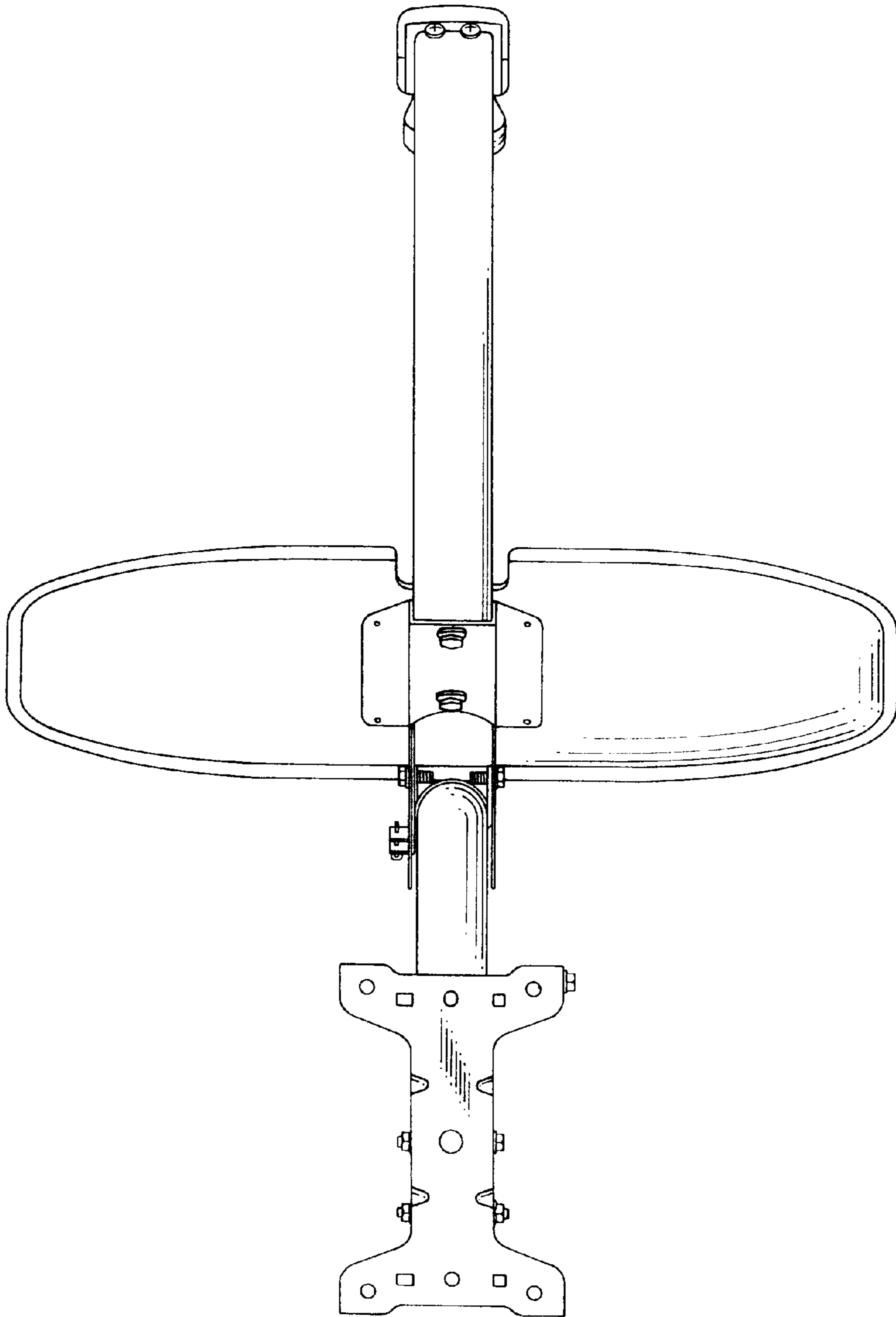
F I G . 6



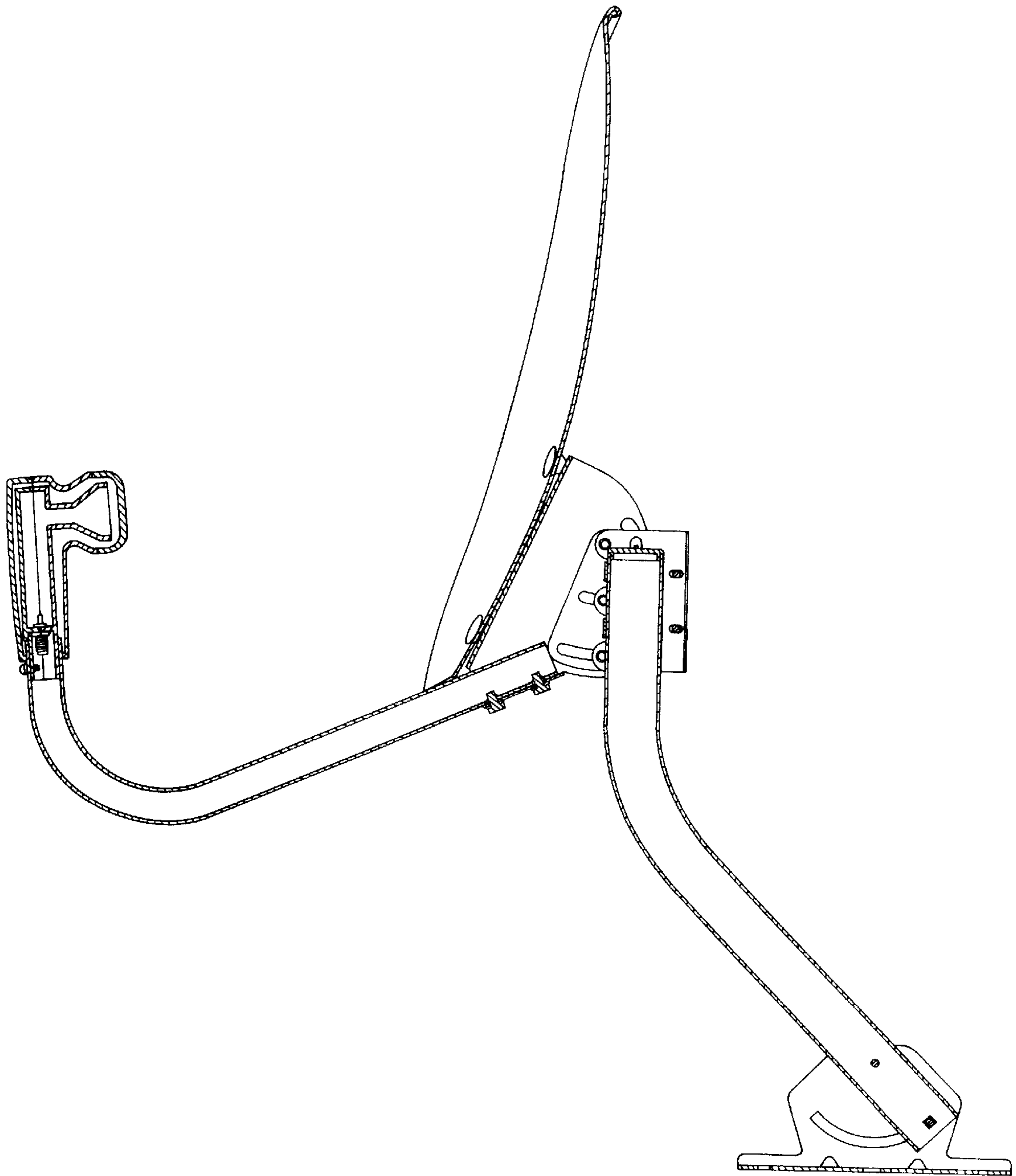


F I G . 7





F I G . 8



F I G . 9