



US00D413598S

# United States Patent [19] Cheung

[11] **Patent Number: Des. 413,598**

[45] **Date of Patent: \*\* Sep. 7, 1999**

[54] **COMPACT DISC PLAYER**

[75] Inventor: **Kwok Kwong Cheung**, Shatin, The Hong Kong Special Administrative Region of the People's Republic of China

[73] Assignee: **Ngai Luen (H.K.) Limited**, New Territories, The Hong Kong Special Administrative Region of the People's Republic of China

[\*\*] Term: **14 Years**

[21] Appl. No.: **29/088,243**

[22] Filed: **May 19, 1998**

[30] **Foreign Application Priority Data**

Nov. 21, 1997 [GB] United Kingdom ..... 2070712

[51] **LOC (6) Cl.** ..... **14-01**

[52] **U.S. Cl.** ..... **D14/156**

[58] **Field of Search** ..... D14/135, 136, D14/156, 157, 160, 188, 189, 193-198, 207, 257, 258; D21/713; 369/75.1, 75.2, 77.1, 77.2

[56] **References Cited**

**U.S. PATENT DOCUMENTS**

D. 188,703 8/1960 Arai ..... D14/189

D. 231,401 4/1974 Fujita ..... D14/198  
D. 325,734 4/1992 Miyai ..... D14/189  
3,652,142 3/1972 Kreuzweiser ..... 369/75.1

*Primary Examiner*—Nanda Bondade  
*Attorney, Agent, or Firm*—Leydig, Voit & Mayer, Ltd.

[57] **CLAIM**

The ornamental design for a compact disc player, as shown and described.

**DESCRIPTION**

FIG. 1 is a front elevational view of a compact disc player showing my new design;

FIG. 2 is a left side elevational view thereof, the right side being a mirror image;

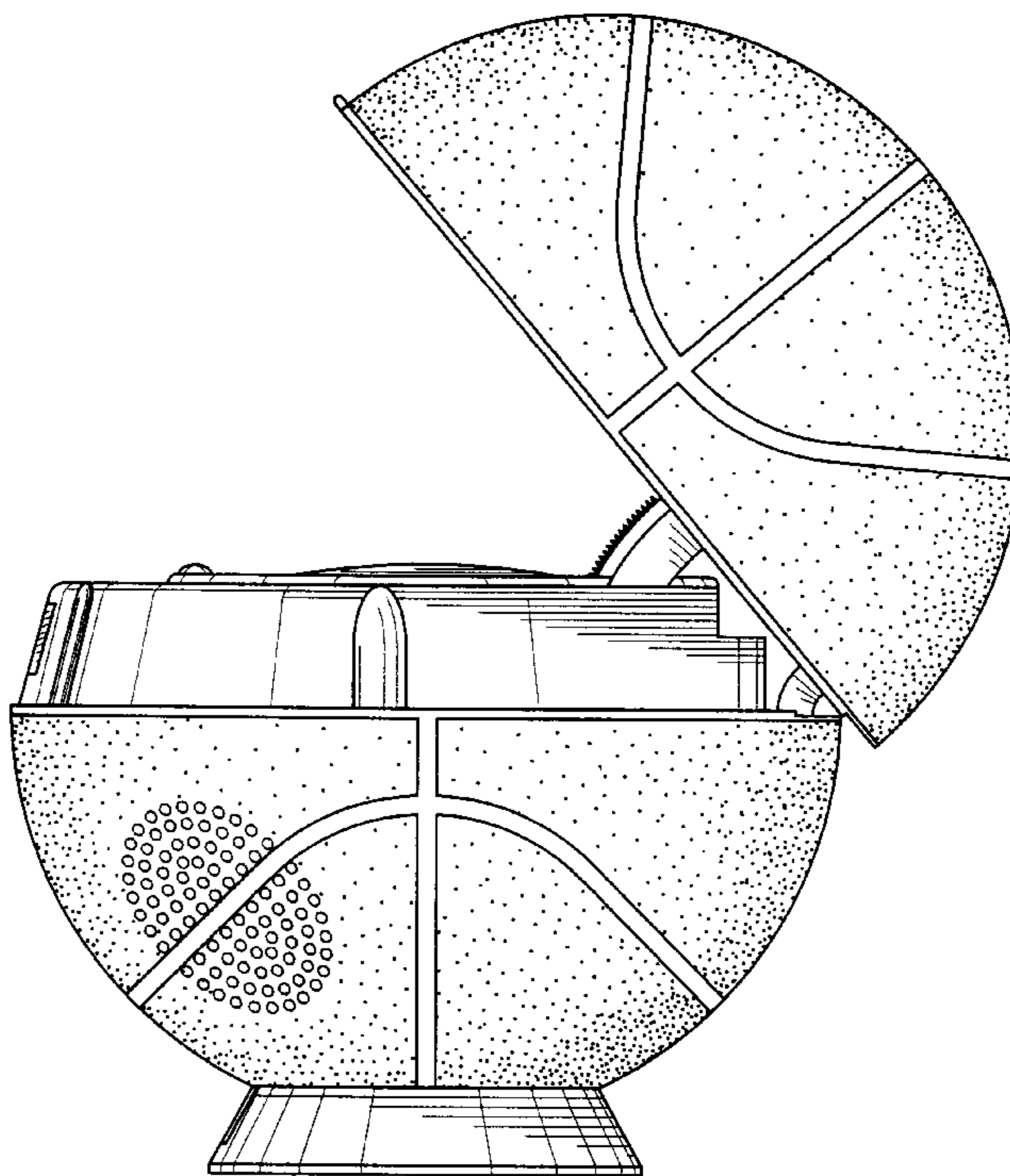
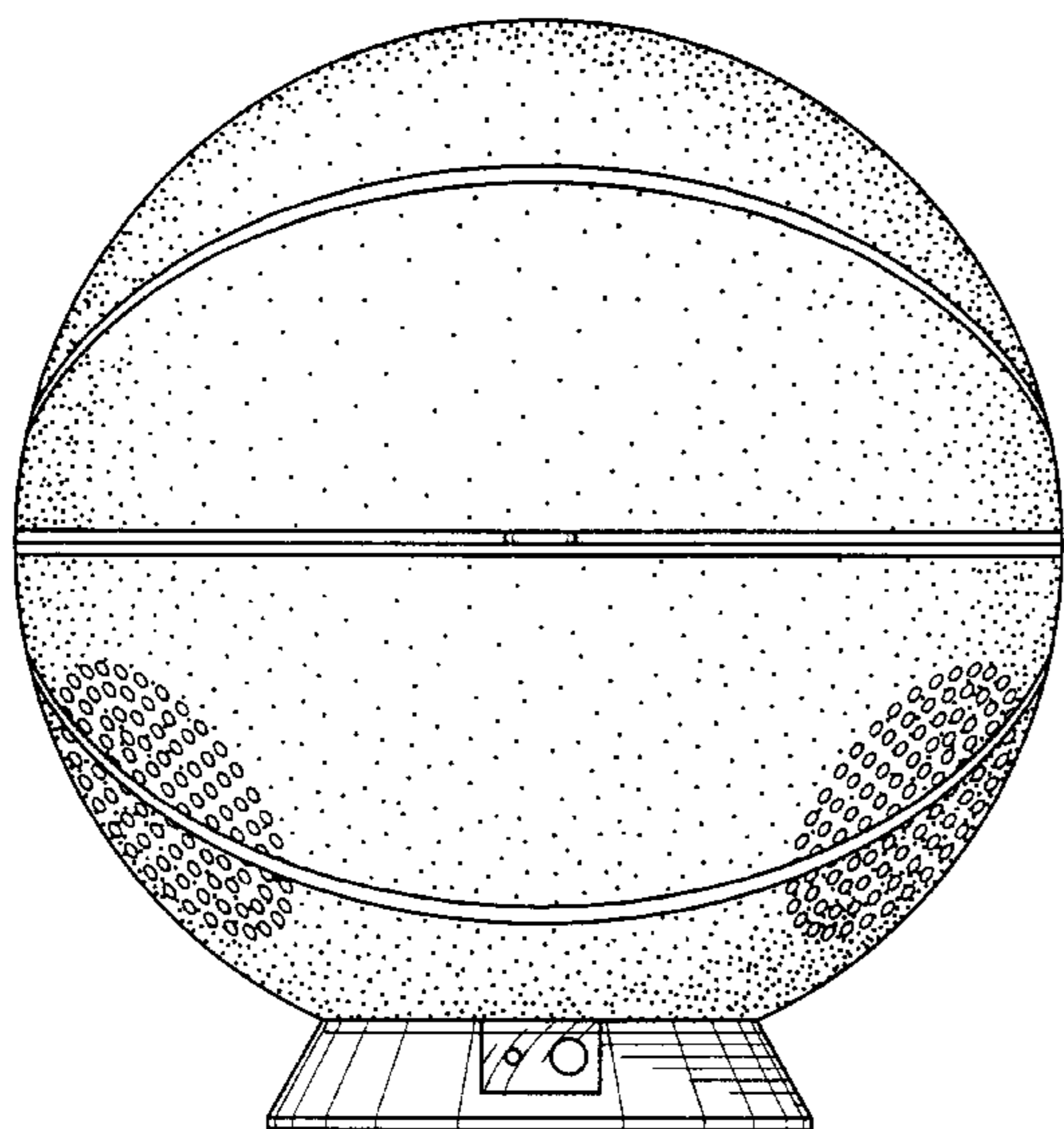
FIG. 3 is top plan view thereof;

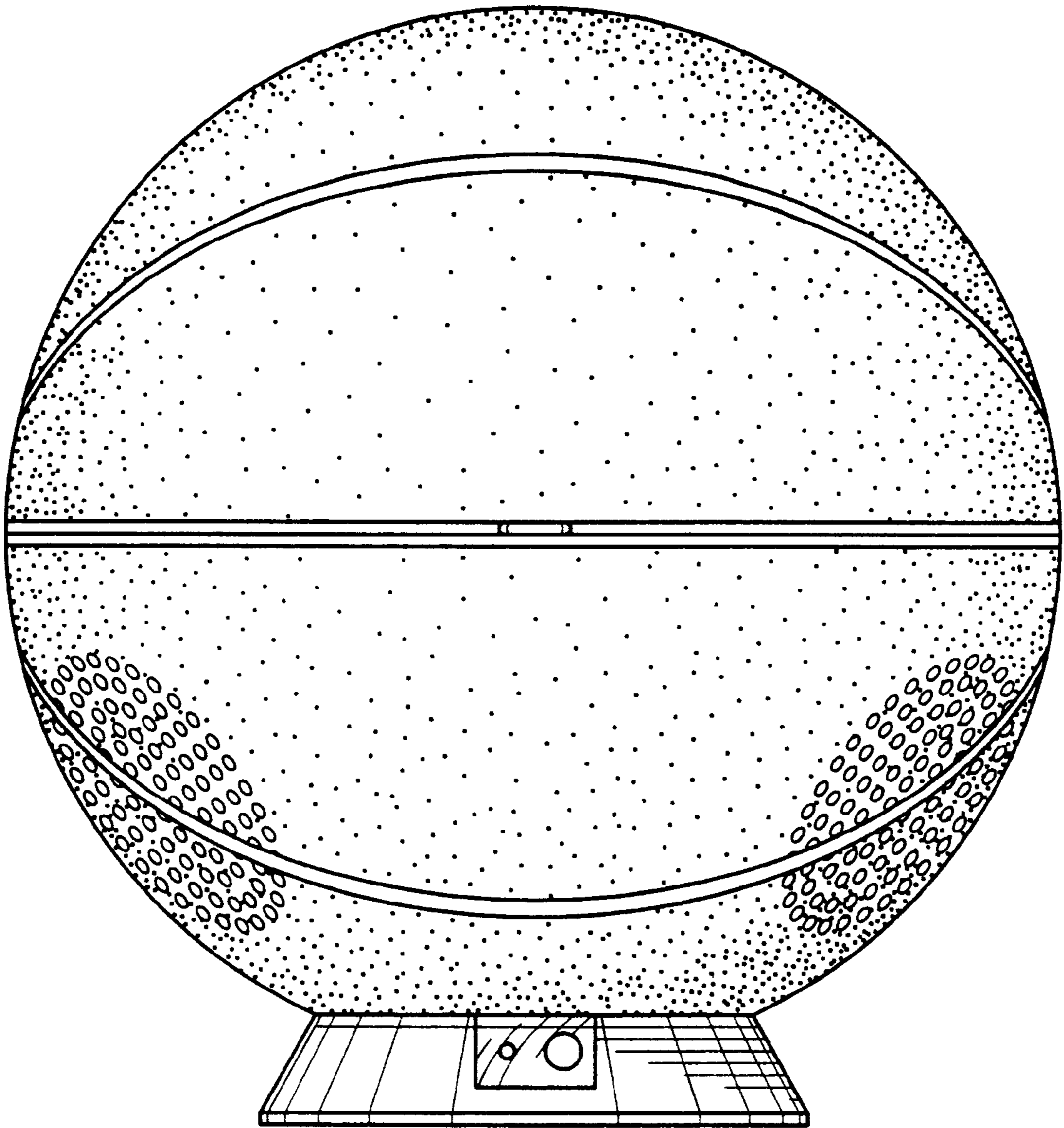
FIG. 4 is a front elevational view thereof, in an open condition; and,

FIG. 5 is a right side elevational view thereof, in an open condition.

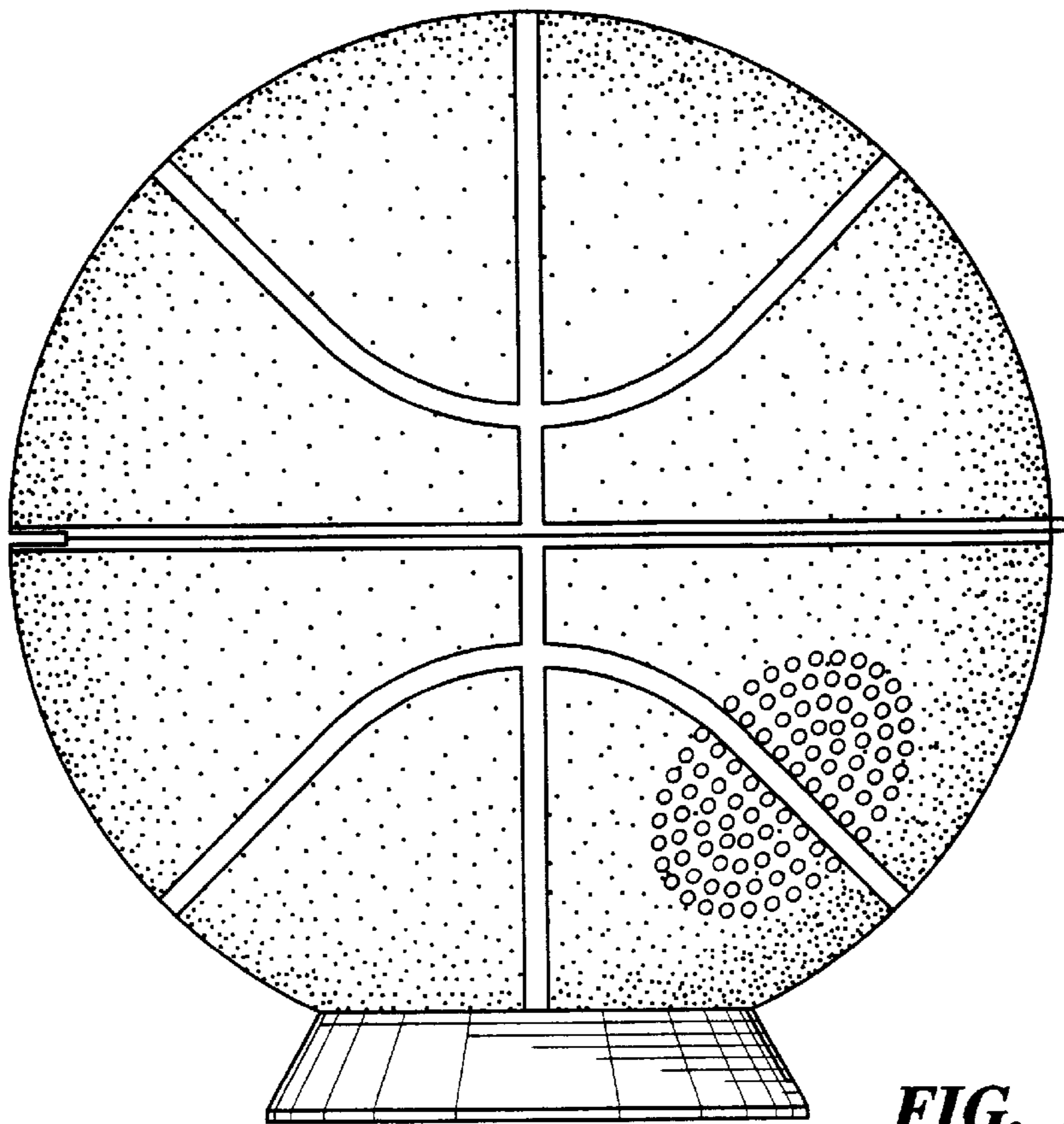
The rear views of the compact disc player in an open or closed condition, the top view of the compact disc player in an open condition, and the left side elevational view of the compact disc player in an open condition form no part of the claimed design.

**1 Claim, 4 Drawing Sheets**

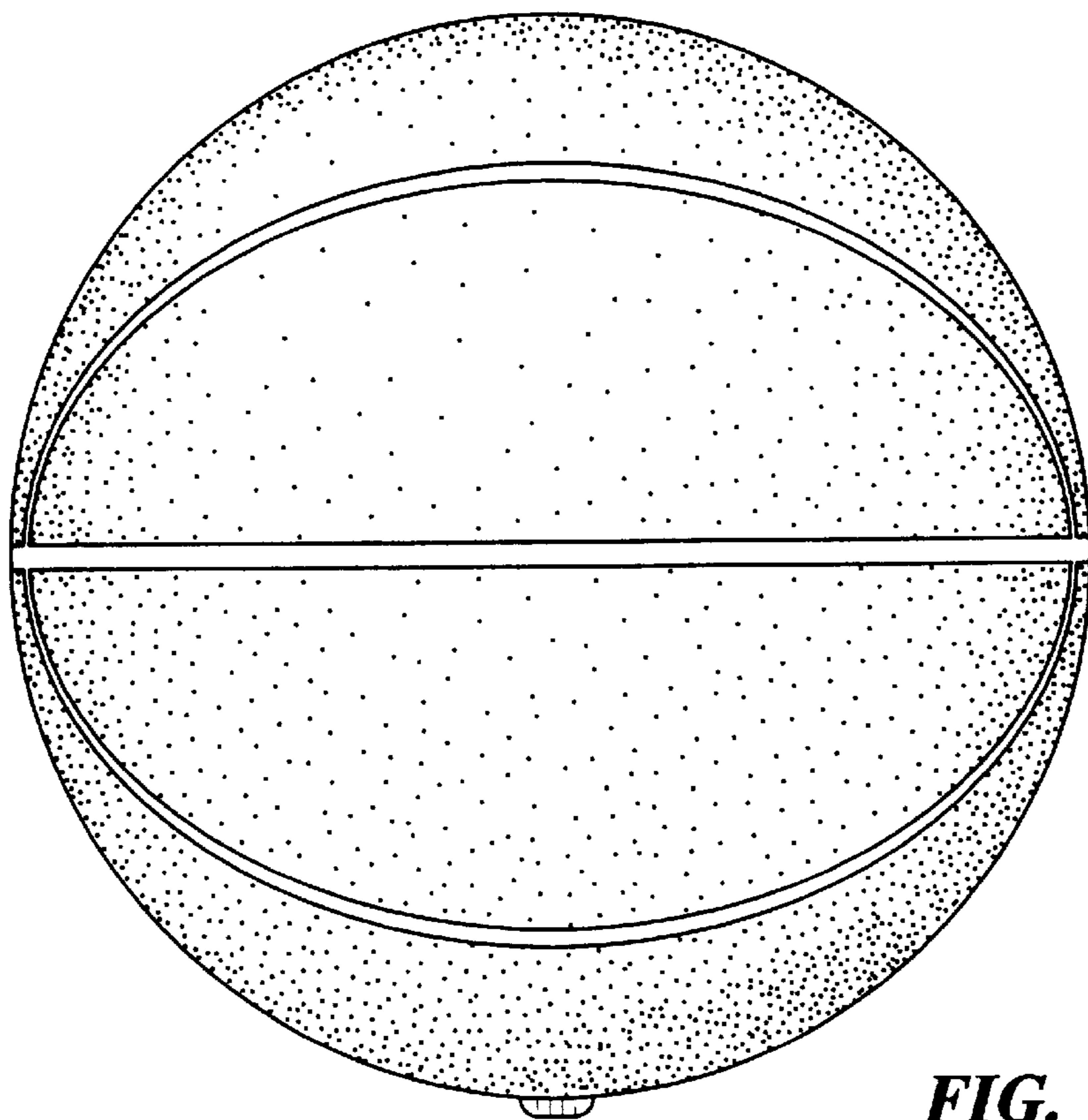




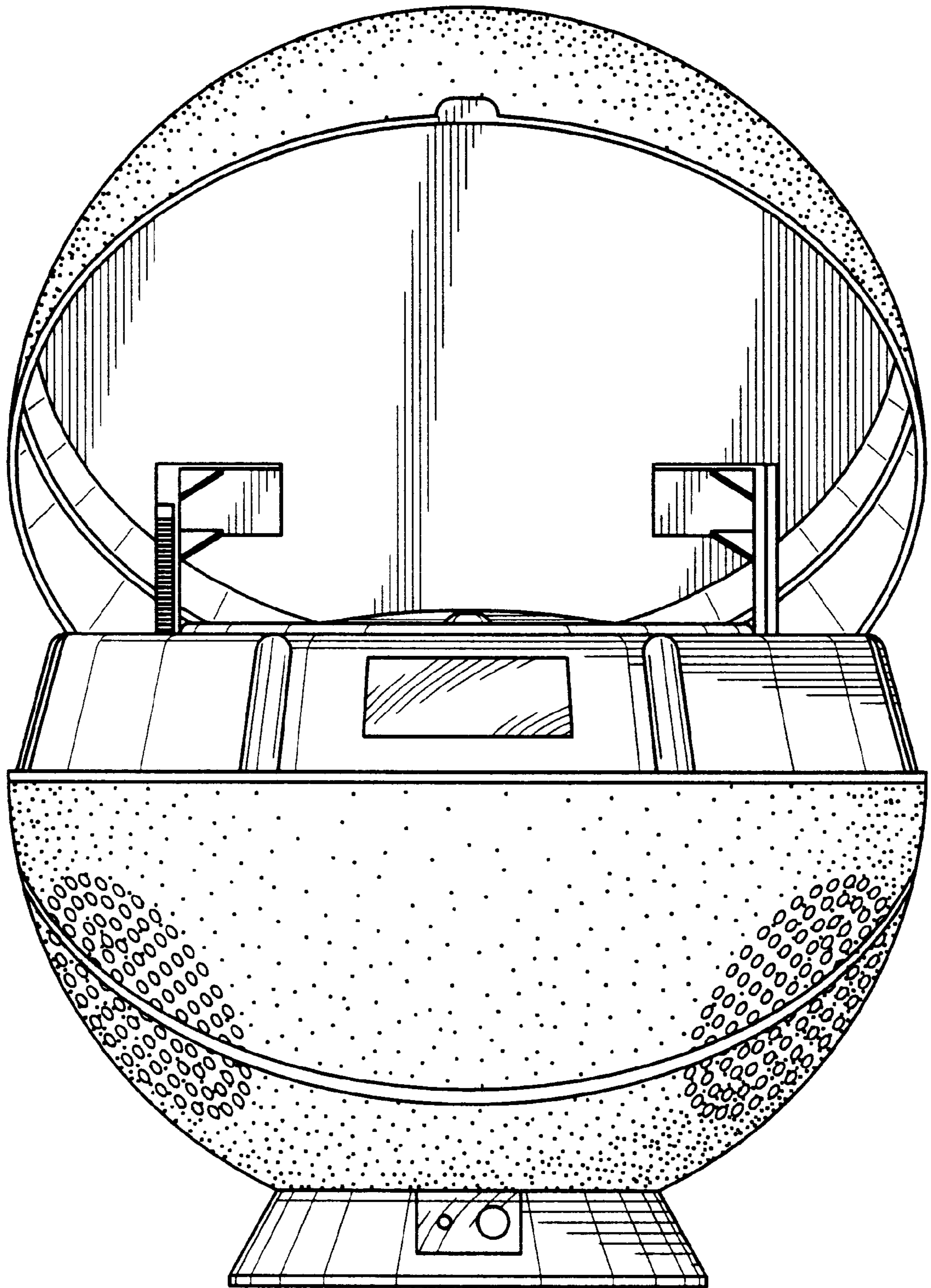
**FIG. 1**



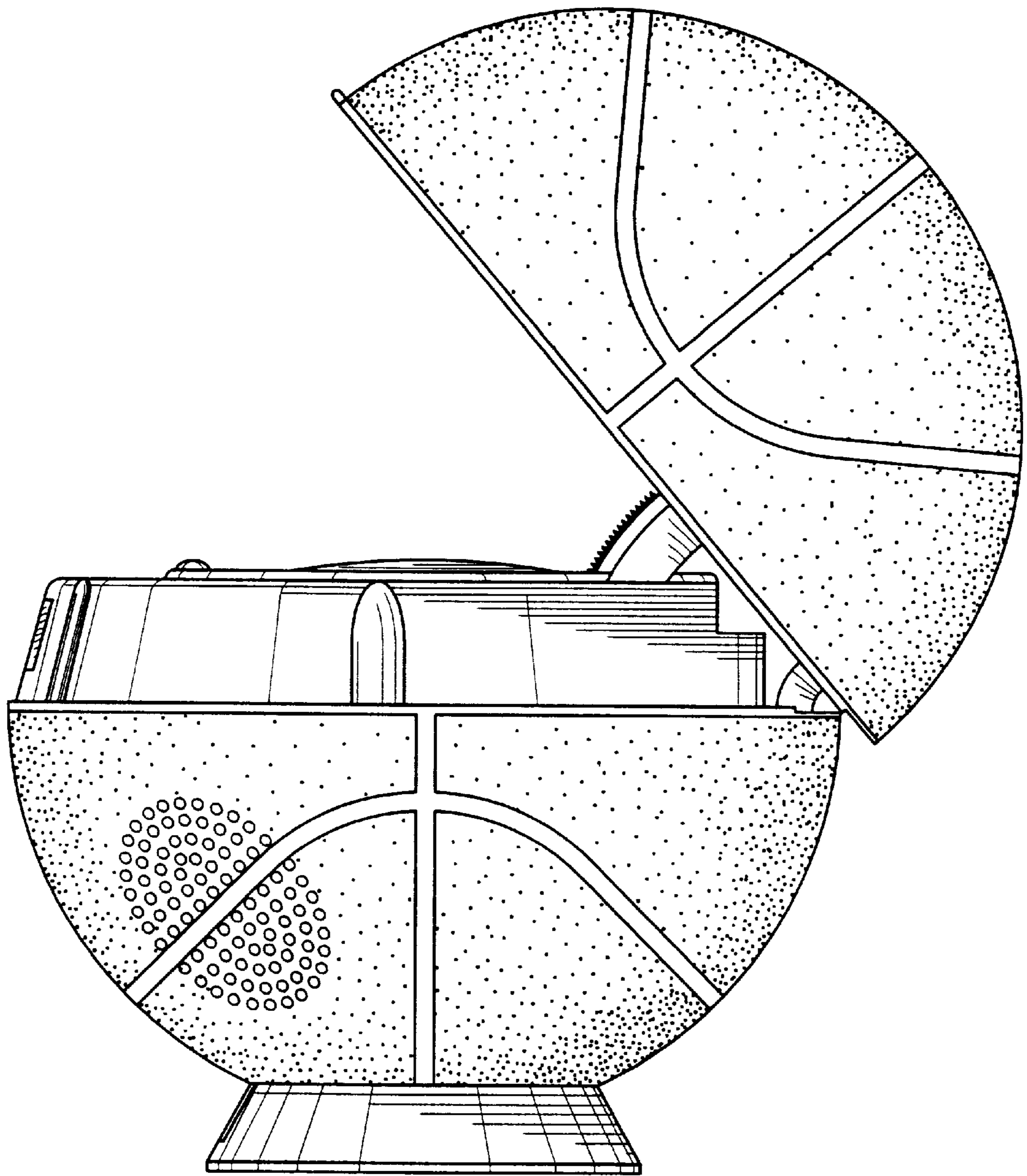
**FIG. 2**



**FIG. 3**



**FIG. 4**



**FIG. 5**