



US00D413597S

United States Patent [19] Oba

[11] Patent Number: **Des. 413,597**

[45] Date of Patent: **** Sep. 7, 1999**

[54] COMBINED TELEPHONE AND COMPUTER

[75] Inventor: **Haruo Oba**, Tokyo, Japan

[73] Assignee: **Sony Corporation**, Tokyo, Japan

[**] Term: **14 Years**

[21] Appl. No.: **29/081,570**

[22] Filed: **Jan. 6, 1998**

[51] **LOC (6) Cl.** **14-03**

[52] **U.S. Cl.** **D14/144; D14/100; D14/138**

[58] **Field of Search** D14/137, 106,
D14/138, 107, 147-148, 247-248, 250,
240, 140-142, 100, 115, 144; 379/433,
434, 419, 420, 428, 440, 110.01, 112; 455/550-575,
90; 364/705.05

[56] References Cited

U.S. PATENT DOCUMENTS

D. 337,764	7/1993	Paton et al.	D14/138
D. 377,341	1/1997	Imai et al.	D14/100
D. 381,021	7/1997	Williams et al.	D14/138
D. 382,545	8/1997	Imai et al.	D14/100
D. 392,968	3/1998	Johansson	D14/144
D. 395,250	6/1998	Kabler et al.	D14/144
D. 398,307	9/1998	Collins	D14/144
5,189,632	2/1993	Paaianen et al.	364/705.5
5,584,054	12/1996	Tyneski et al.	455/566
5,719,936	2/1998	Hillemyer	379/447

FOREIGN PATENT DOCUMENTS

3-104432 1/1992 Japan .

OTHER PUBLICATIONS

Mobile Computing and Communication, the Nokia 9000 Communicator, May 1997.

Dime, p. 173 (Dec. 4, 1997).

"Toshiba on Demand/mc01", p. 34, Yomiuri Shibun (Nov. 27, 1997).

Catalog, "GENIO", Toshiba (Jul. 1997).

Catalog, "CASSIOPEA", Casio (Jun. 1997).

Catalog, "Data Scope DS-110" Kyocera (Sep. 1997).

Catalog, "Zaurus", Sharp Corp. (Oct. 1997).

Primary Examiner—Jeffrey Asch

Attorney, Agent, or Firm—Foley & Lardner

[57] CLAIM

The ornamental design for a combined telephone and computer, as shown and described.

DESCRIPTION

FIG. 1 is a perspective view of a combined telephone and computer showing my new design;

FIG. 2 is a top plan view thereof;

FIG. 3 is a left side elevational view thereof;

FIG. 4 is a front elevational view thereof;

FIG. 5 is a bottom plan view thereof;

FIG. 6 is a right side elevational view thereof;

FIG. 7 is a rear elevational view thereof; and,

FIG. 8 is another front elevational view thereof wherein the dial and screen portion is in the open position.

1 Claim, 4 Drawing Sheets

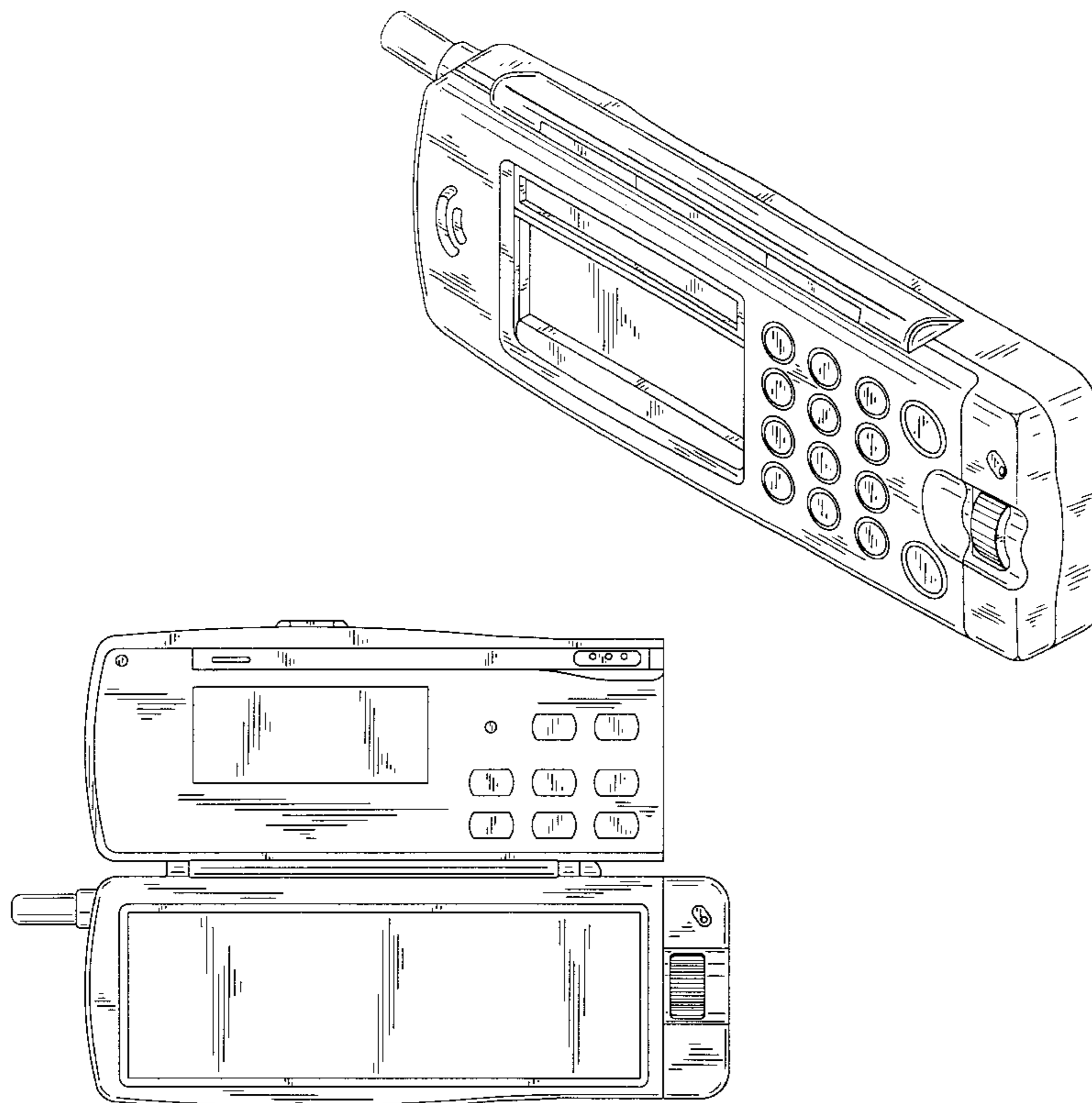


FIG. 1

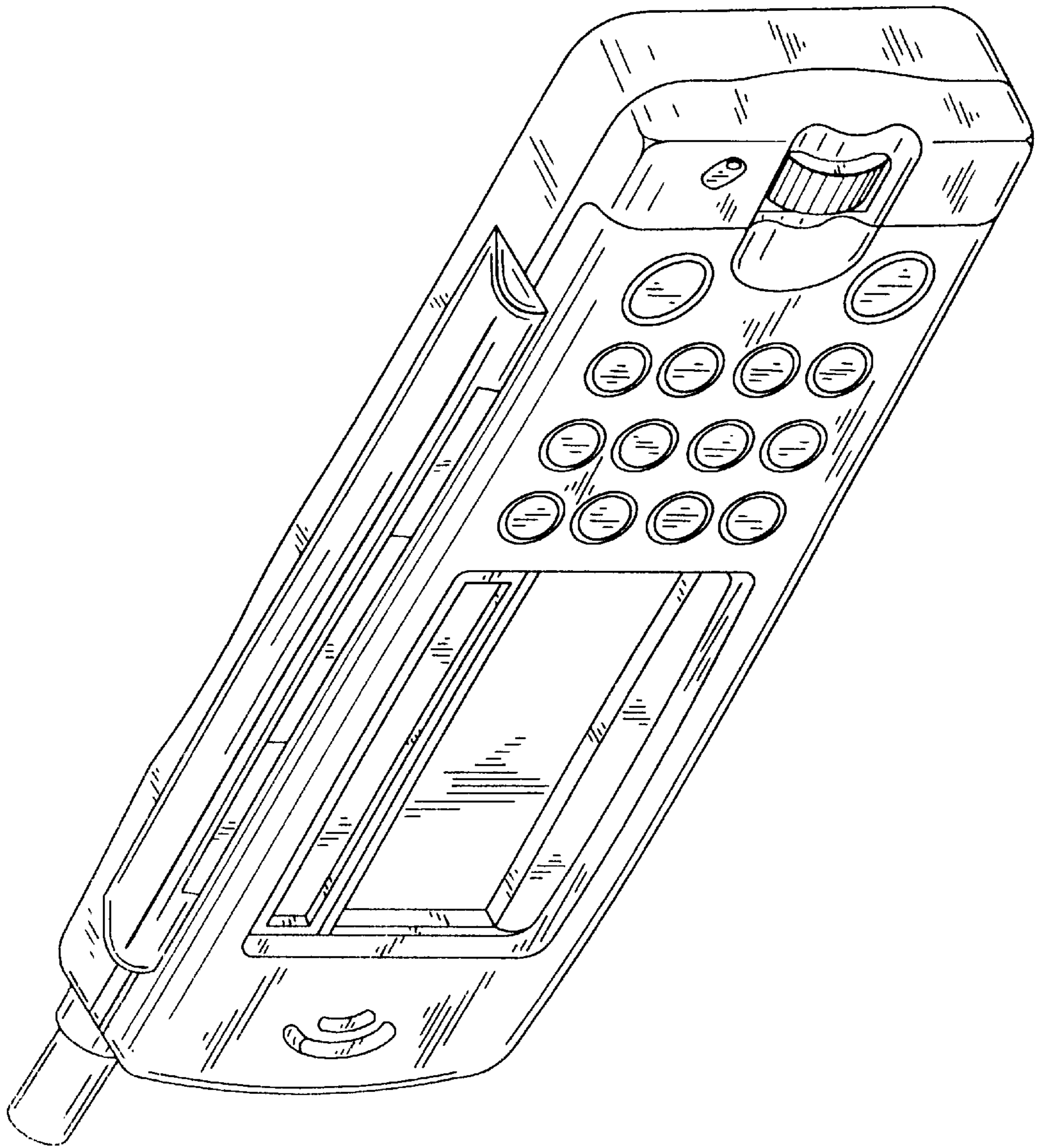


FIG. 2



FIG. 3

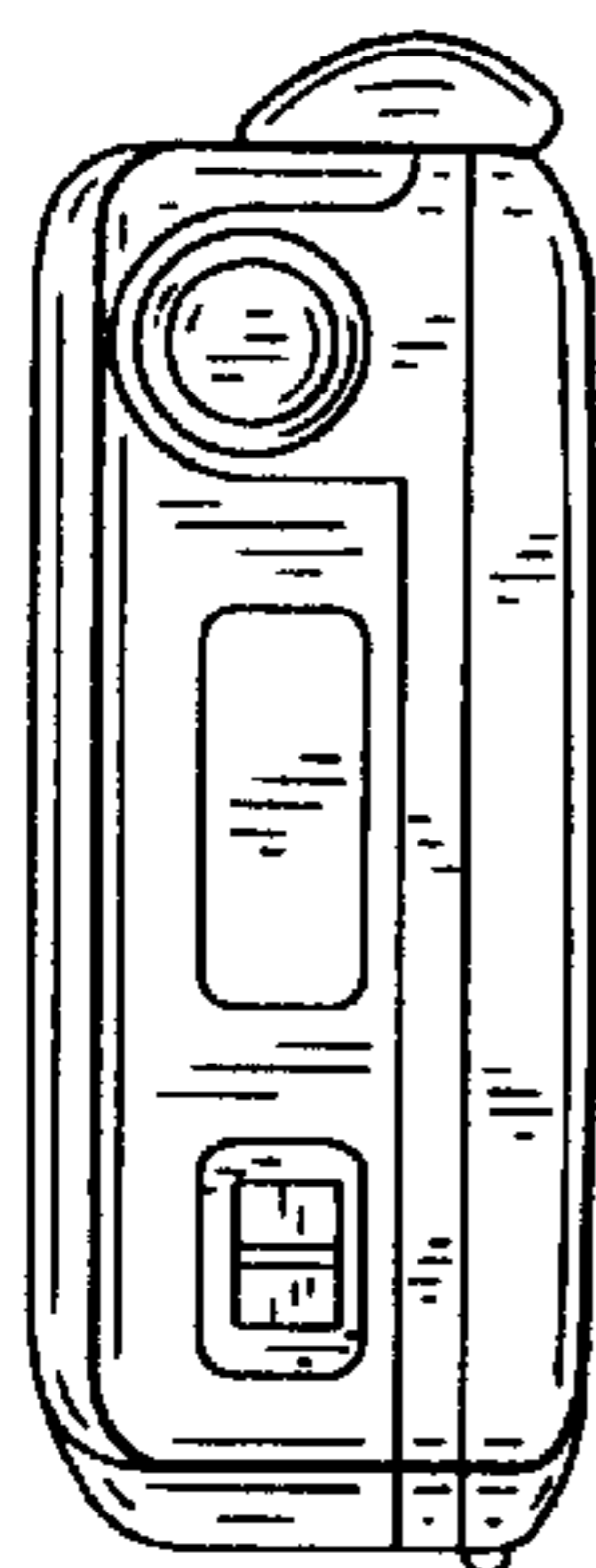


FIG. 6

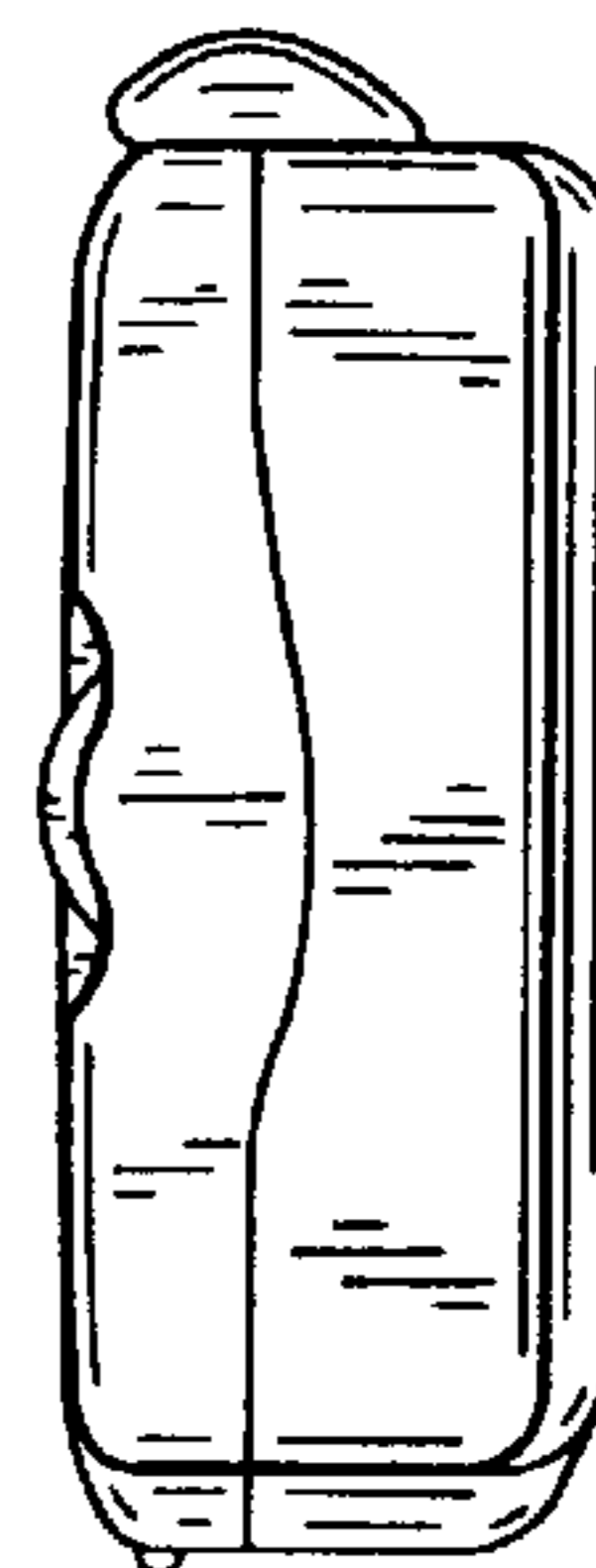


FIG. 5

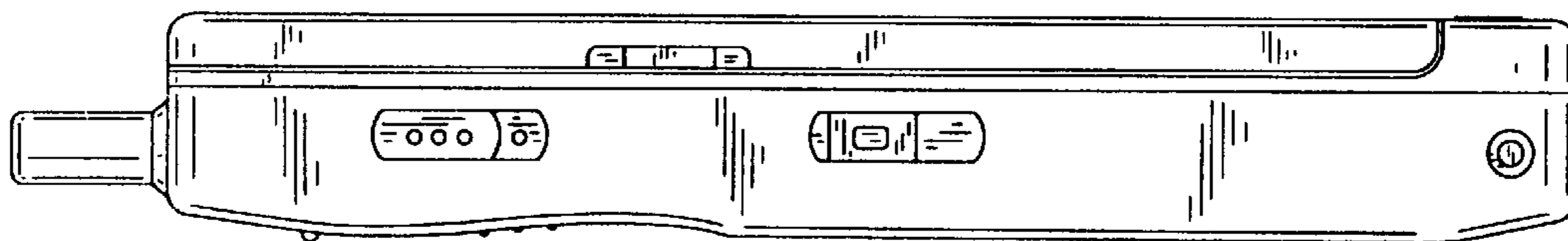


FIG. 4

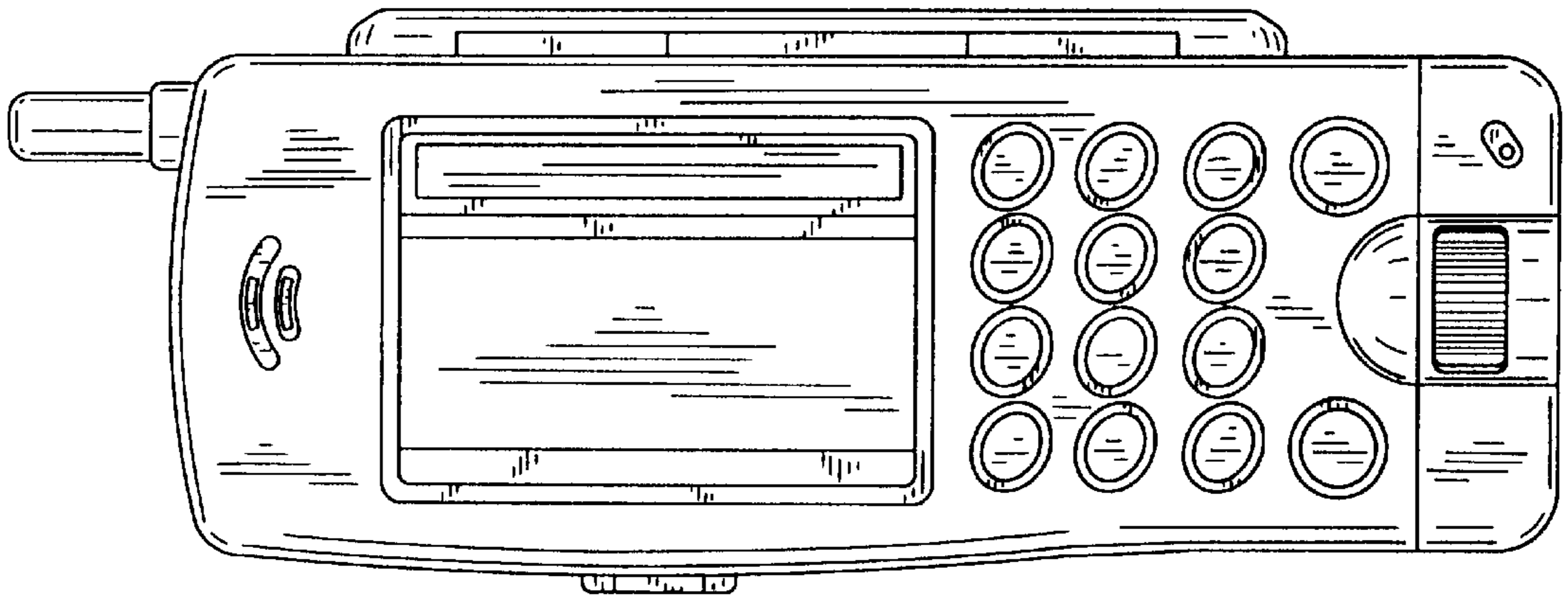


FIG. 7

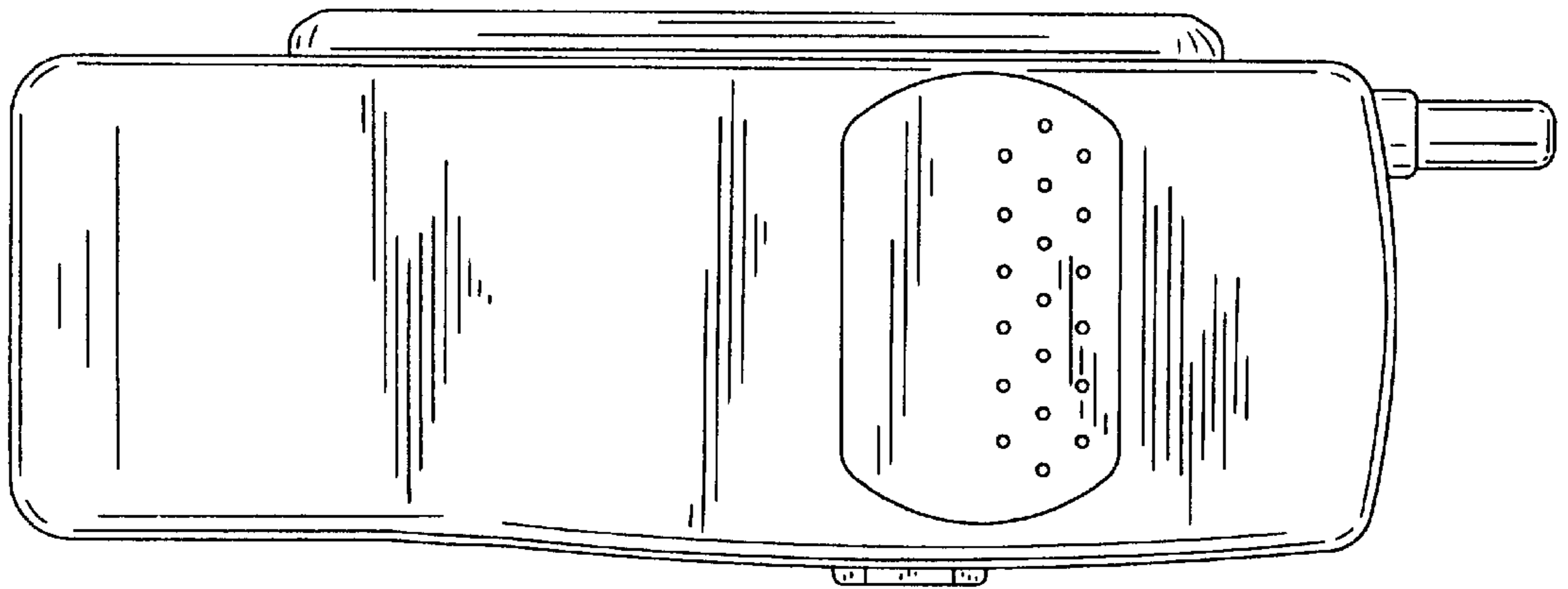


FIG. 8

