



US00D413596S

United States Patent [19]

Inoue et al.

[11] Patent Number: Des. 413,596

[45] Date of Patent: ** Sep. 7, 1999

[54] TELEVISION RECEIVER

[75] Inventors: **Takashi Inoue**, Nara; **Mitsuru Takami**; **Muneyuki Nagai**, both of Osaka, all of Japan

[73] Assignee: **Matsushita Electric Industrial Co., Ltd.**, Japan

[**] Term: **14 Years**

[21] Appl. No.: **29/094,886**

[22] Filed: **Oct. 13, 1998**

[30] Foreign Application Priority Data

Apr. 27, 1998 [JP] Japan 10-12300

[51] LOC (6) Cl. **14-03**

[52] U.S. Cl. **D14/126**

[58] Field of Search D14/113, 126-134; 312/7.2; 348/836, 838

[56] References Cited

U.S. PATENT DOCUMENTS

- D. 384,342 9/1997 Maeno et al. D14/126
- D. 394,650 5/1998 Hirokawa D14/129

OTHER PUBLICATIONS

Panasonic television model nos. TH-32HG1+SC H , TH-36HG1+SC H , and TH-28HW2, brochure issued Sep. 30, 1997.

Primary Examiner—Ted Shooman
Assistant Examiner—Richelle Shelton
Attorney, Agent, or Firm—Saidman DesignLaw Group

[57] CLAIM

The ornamental design for a television receiver, as shown and described.

DESCRIPTION

FIG. 1 is a perspective view of the top front and right side of a television receiver showing our new design; FIG. 2 is a front view thereof; FIG. 3 is a top plan view thereof; FIG. 4 is a right side view thereof; FIG. 5 is a rear view thereof; FIG. 6 is a bottom view thereof; and, FIG. 7 is a front view similar to FIG. 2 with the lid in open condition thereof.

1 Claim, 7 Drawing Sheets

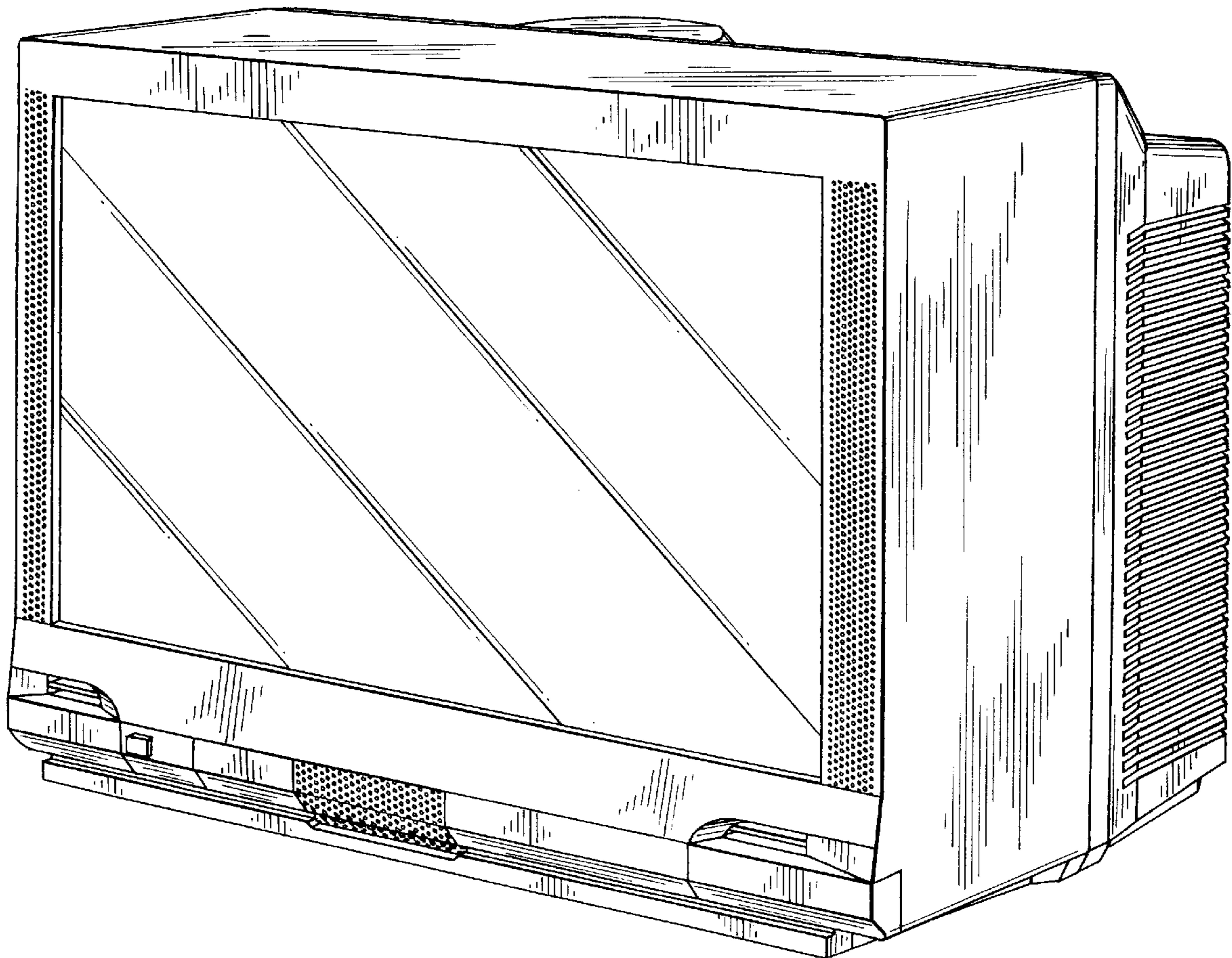


FIG. 1

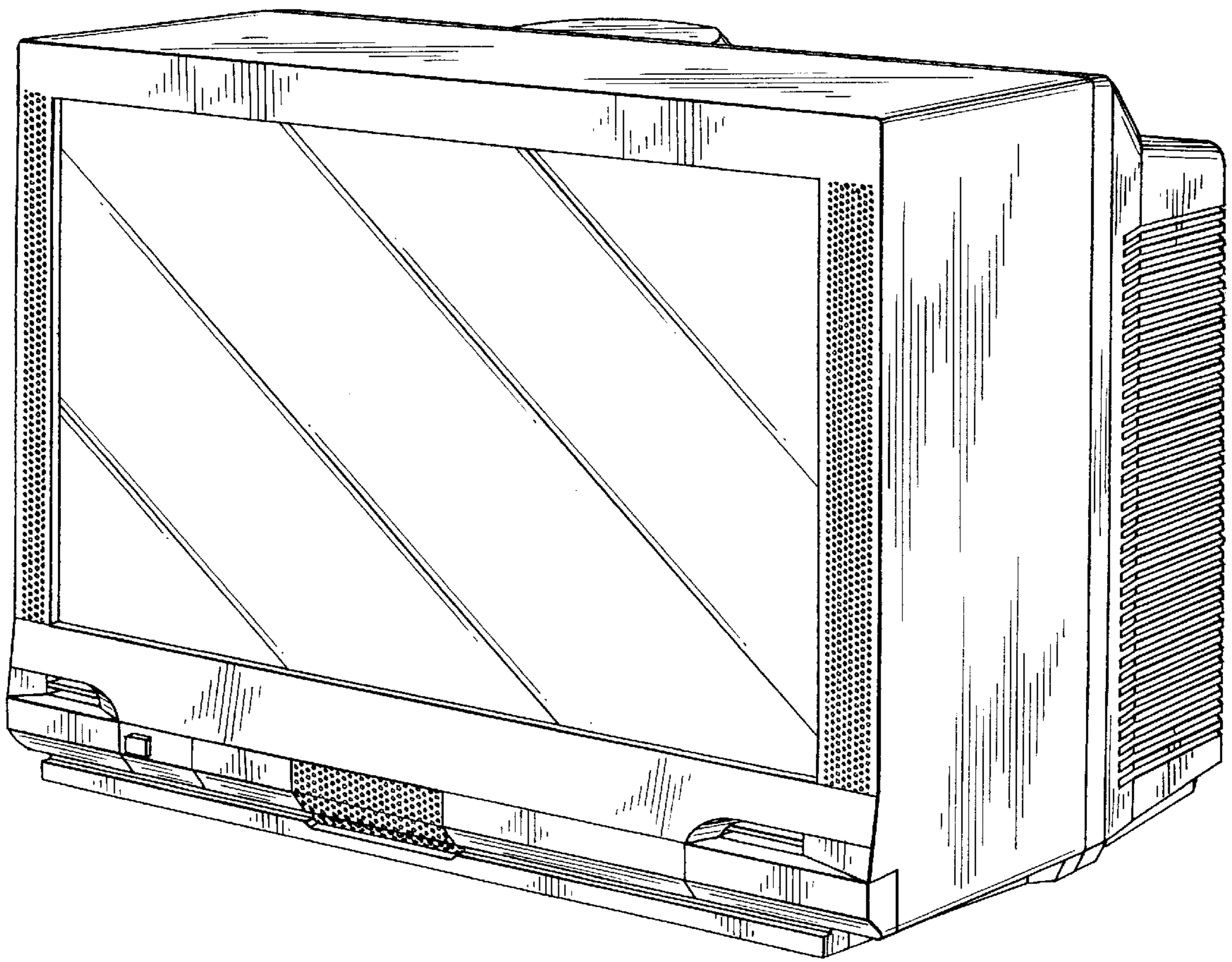


FIG. 2

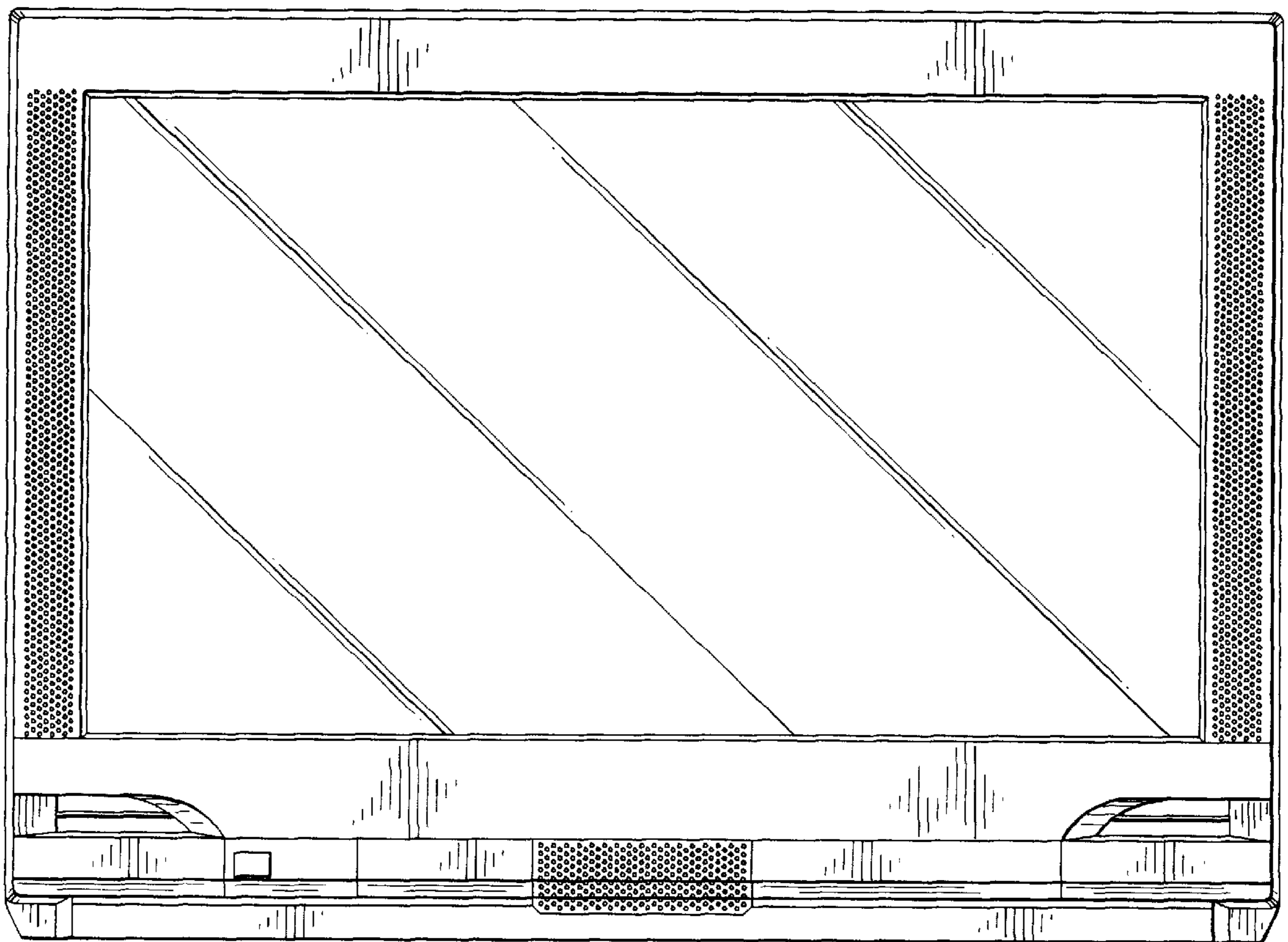


FIG. 3

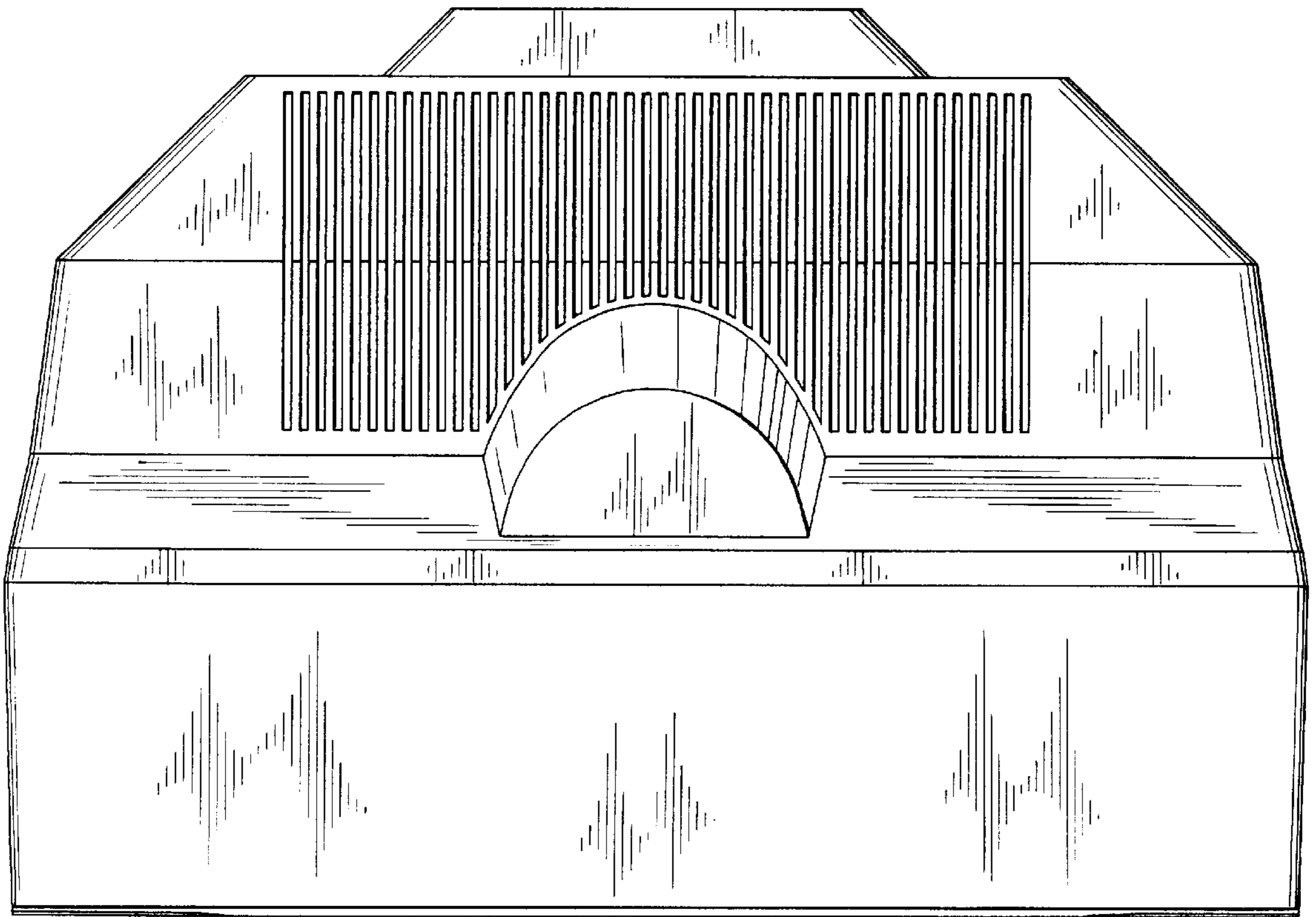


FIG. 4

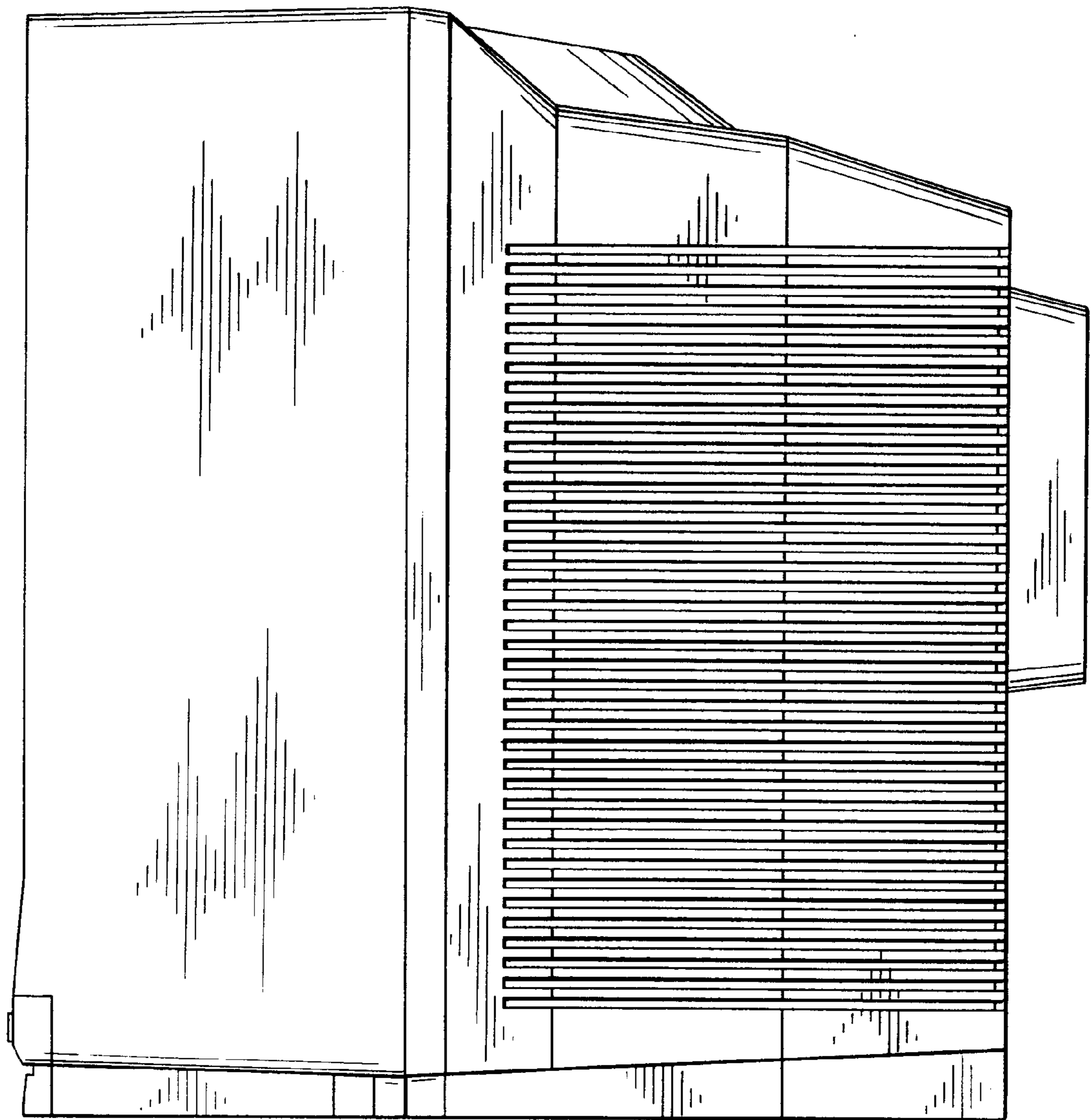


FIG. 5

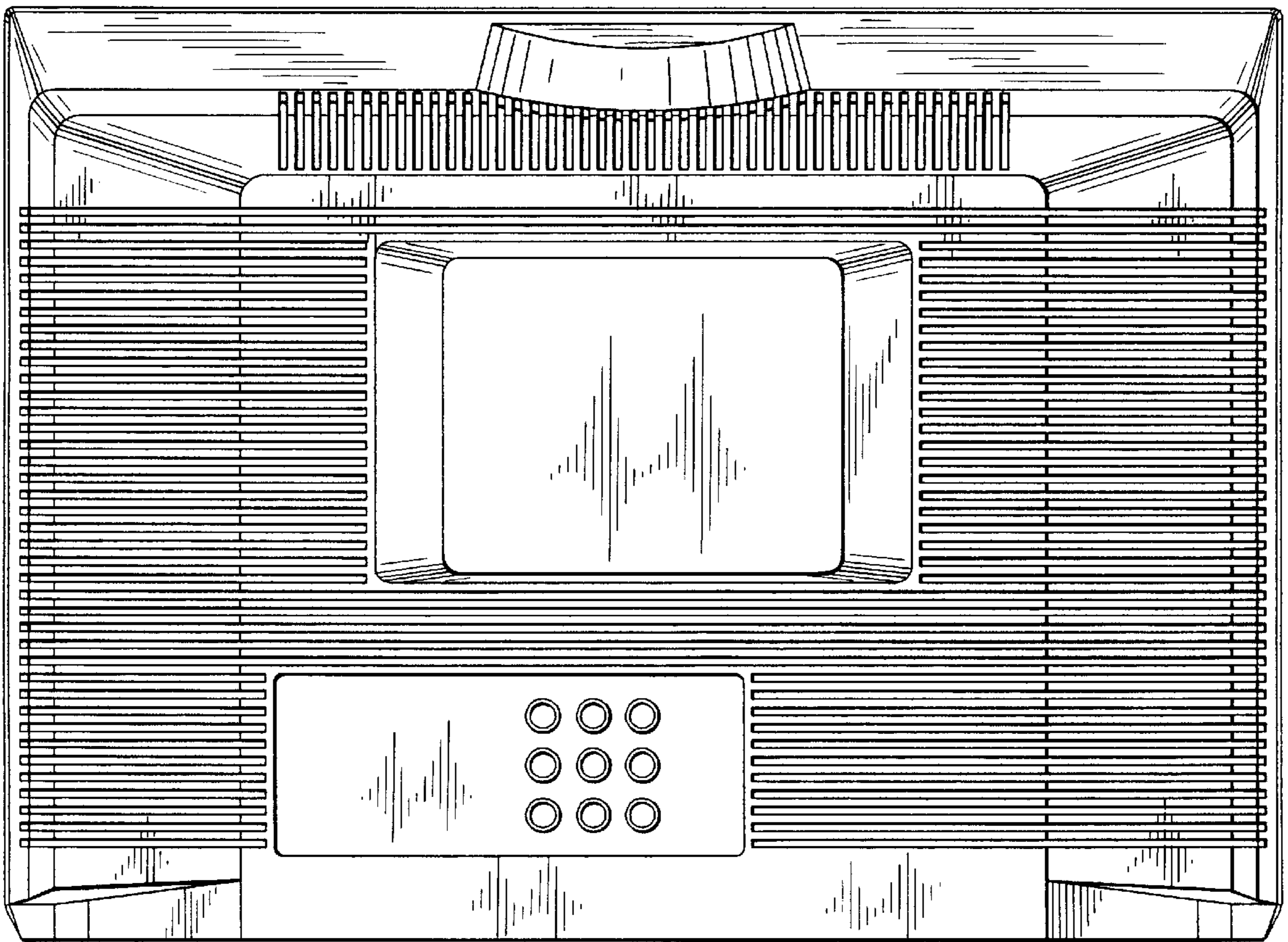


FIG. 6

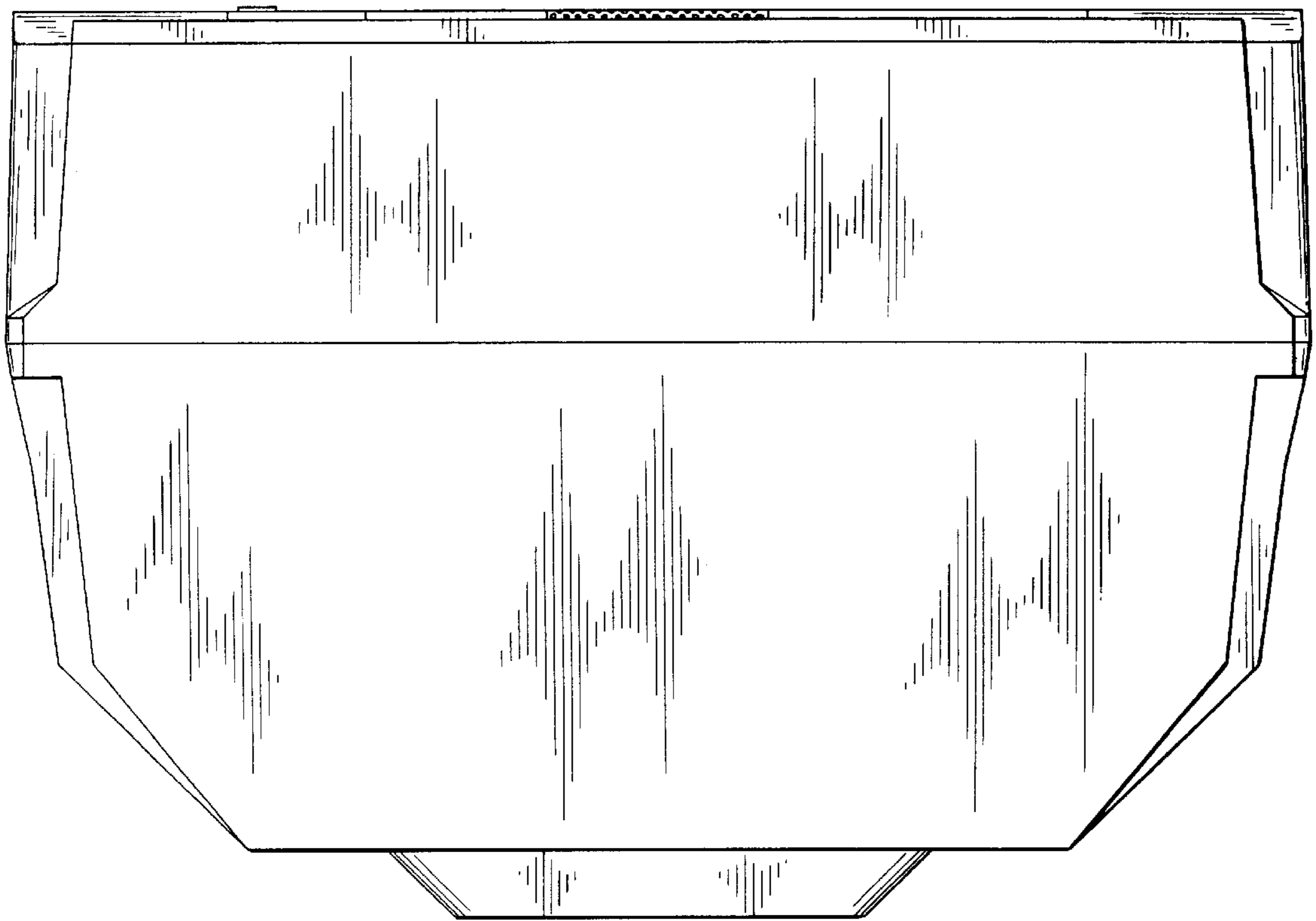


FIG. 7

