



US00D413595S

United States Patent [19] Arie

[11] **Patent Number: Des. 413,595**

[45] **Date of Patent: ** Sep. 7, 1999**

[54] **TELEVISION MONITOR**

[75] Inventor: **Isamu Arie**, Tokyo, Japan

[73] Assignee: **Sony Corporation**, Tokyo, Japan

[**] Term: **14 Years**

[21] Appl. No.: **29/092,367**

[22] Filed: **Aug. 17, 1998**

[30] **Foreign Application Priority Data**

Feb. 17, 1998 [JP] Japan 10-4138

[51] **LOC (6) Cl.** **14-03**

[52] **U.S. Cl.** **D14/126; D14/113**

[58] **Field of Search** D14/113, 126-134;
312/7.2; 348/836, 838

[56] **References Cited**

U.S. PATENT DOCUMENTS

D. 394,248 5/1998 Duan D14/113

OTHER PUBLICATIONS

Catalog, "97 Summer Salesman Catalog", p. 19, National/Panasonic, May 1997.

Catalog, "Television Monitor Catalog", pp. 19 and 20, Sharp, Sep. 1997.

Catalog, "87", p. 213, Sony, Nov. 1997.

Primary Examiner—Ted Shooman

Assistant Examiner—Richelle Shelton

Attorney, Agent, or Firm—Foley & Lardner

[57] **CLAIM**

The ornamental design for a television monitor, as shown and described.

DESCRIPTION

FIG. 1 is a perspective view of a first embodiment of a television monitor showing my new design;

FIG. 2 is a top plan view thereof;

FIG. 3 is a rear elevational view thereof;

FIG. 4 is a left side elevational view thereof;

FIG. 5 is a front elevational view thereof;

FIG. 6 is a bottom plan view thereof; and

FIG. 7 is a right side elevational view thereof.

FIG. 8 is a perspective view of a second embodiment of a television monitor showing my new design;

FIG. 9 is a top plan view of the embodiment thereof;

FIG. 10 is a rear elevational view thereof;

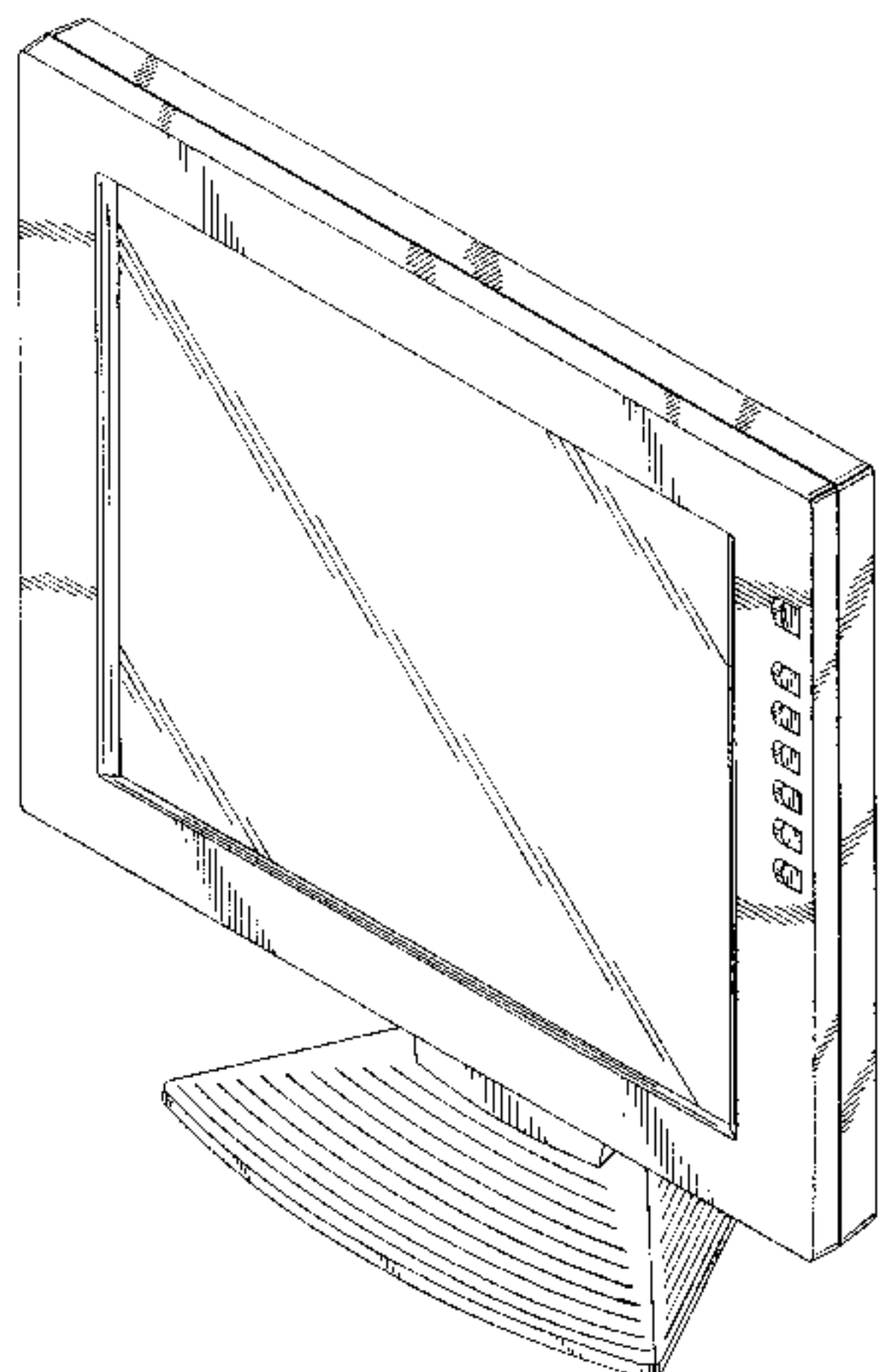
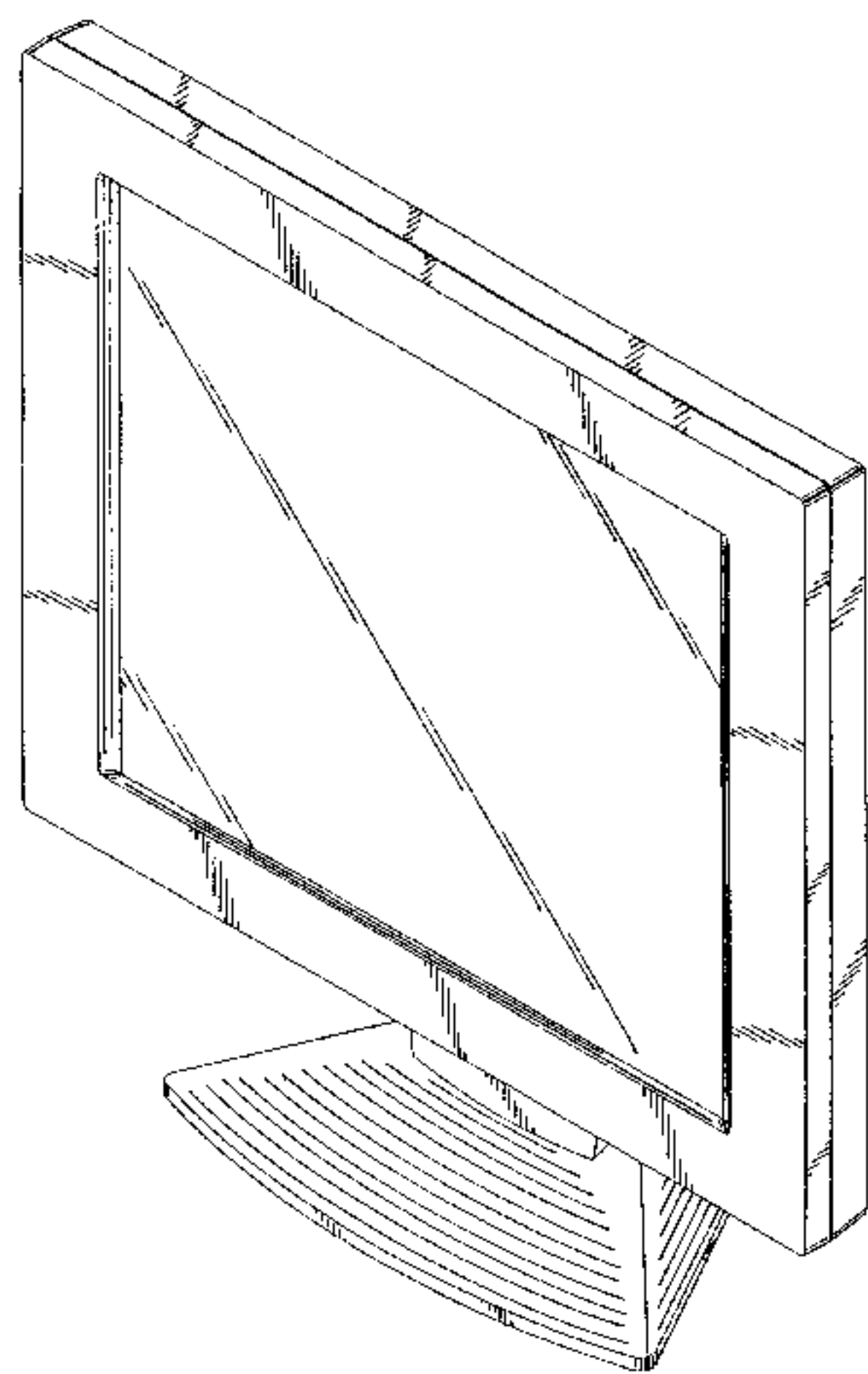
FIG. 11 is a left side elevational view thereof;

FIG. 12 is a front elevational view thereof;

FIG. 13 is a bottom plan view thereof; and,

FIG. 14 is a right side elevational view thereof.

1 Claim, 8 Drawing Sheets



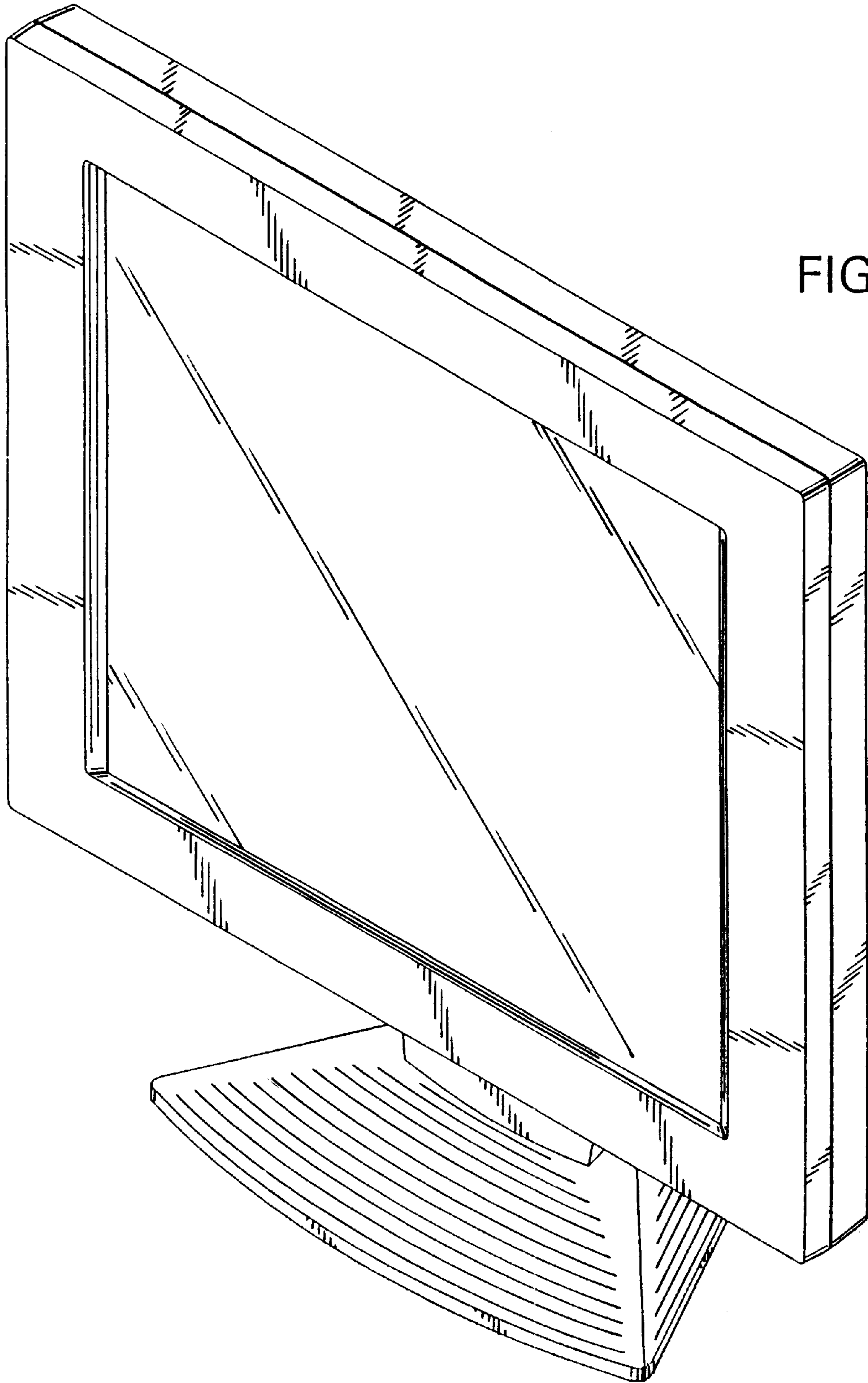


FIG. 1

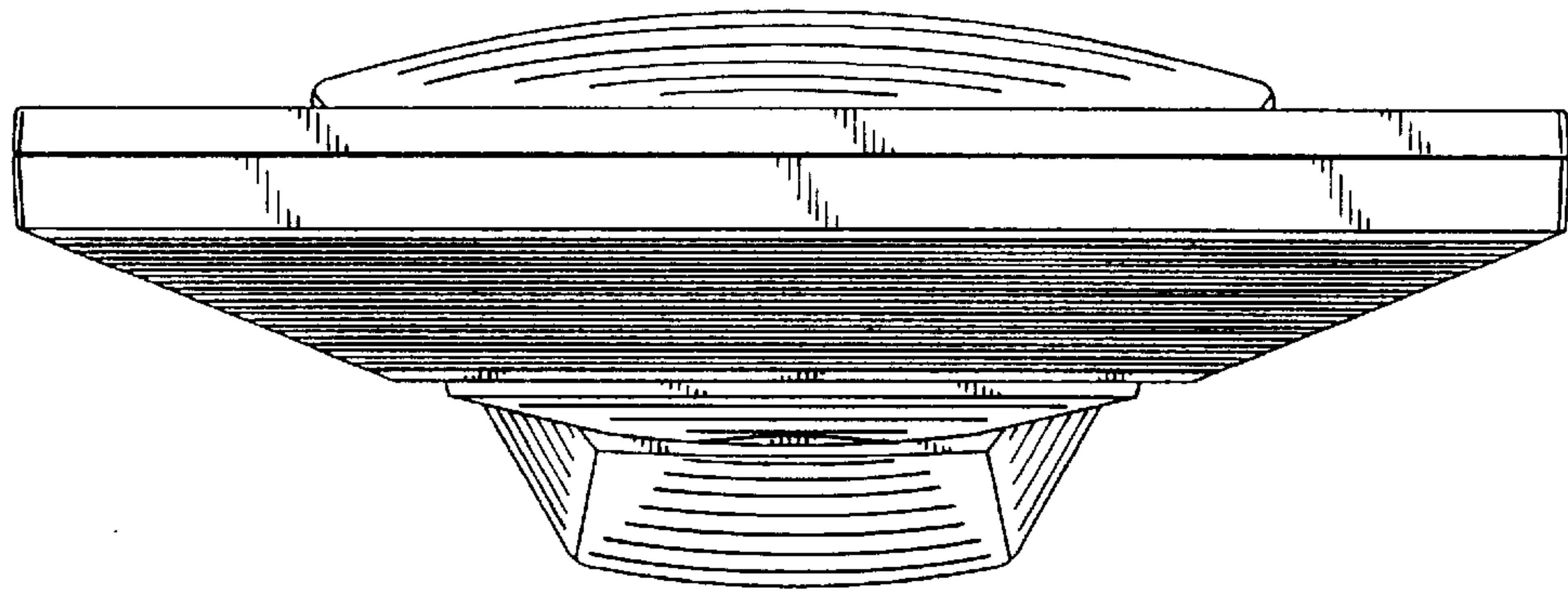


FIG. 2

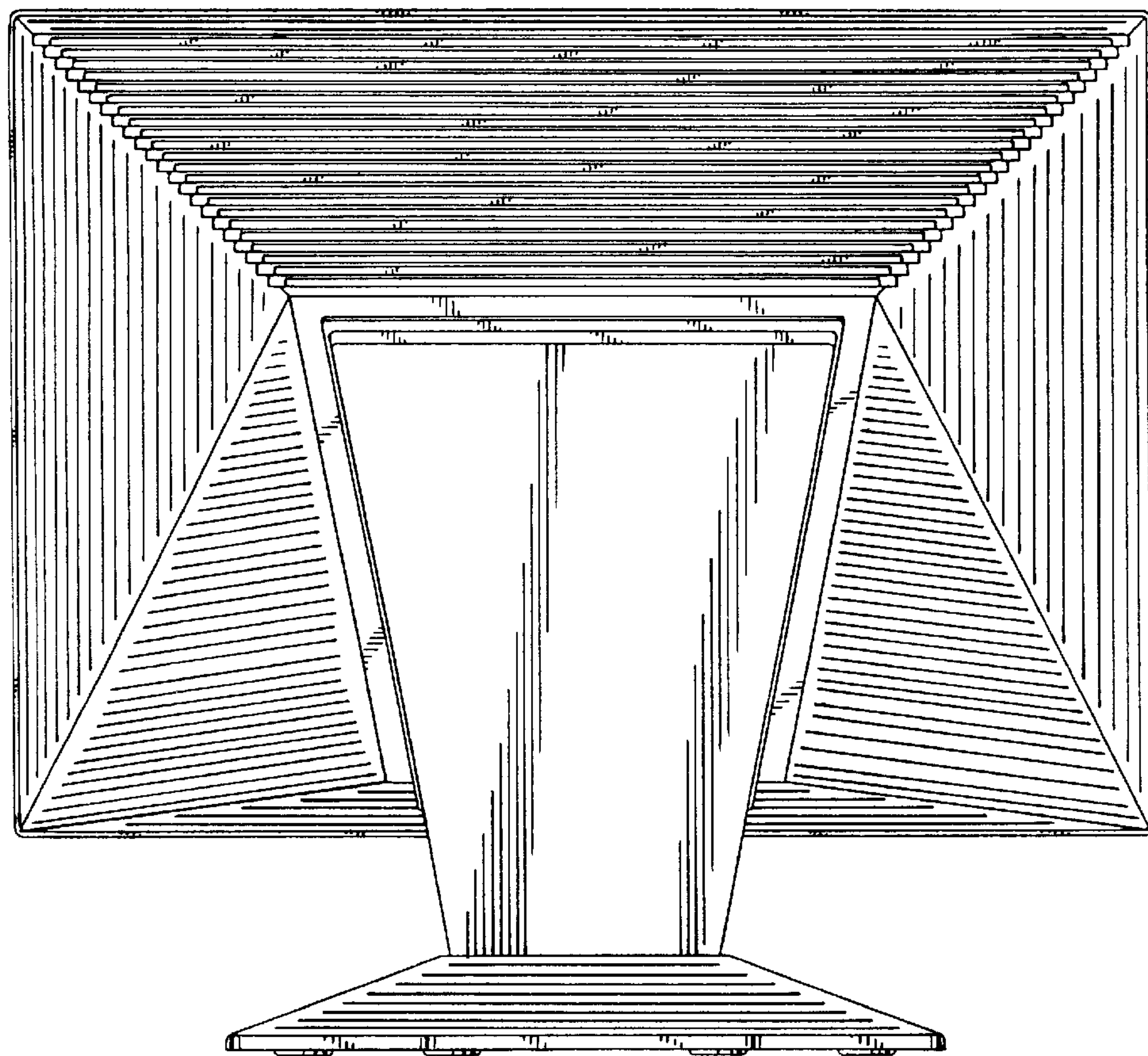


FIG. 3

FIG. 4

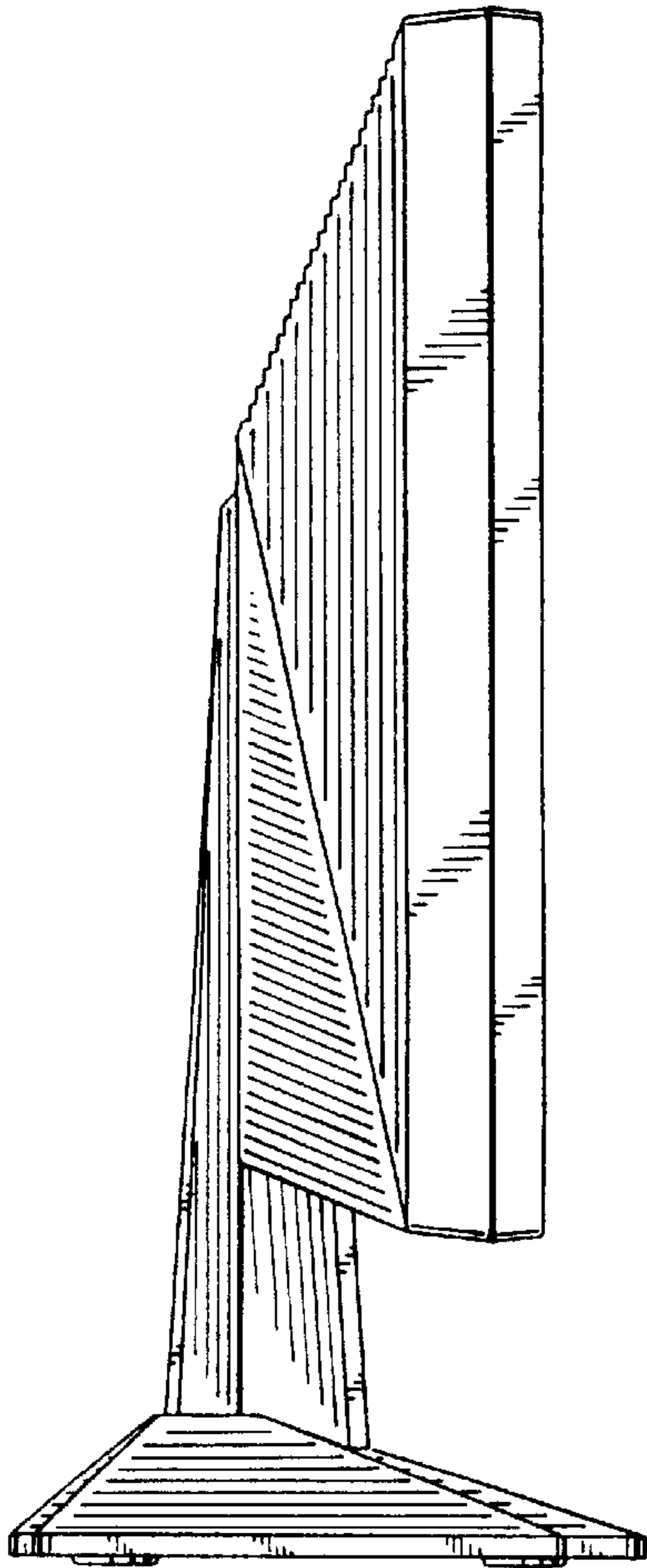
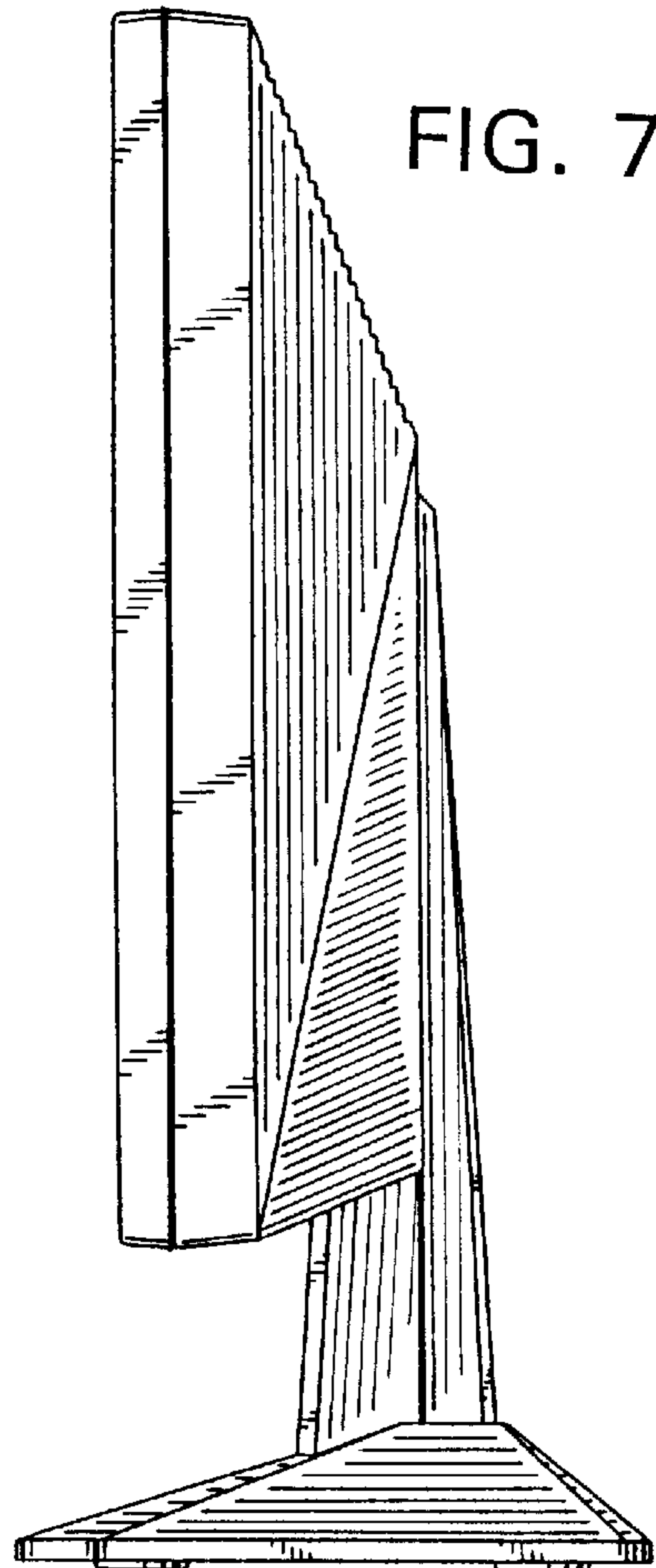


FIG. 7



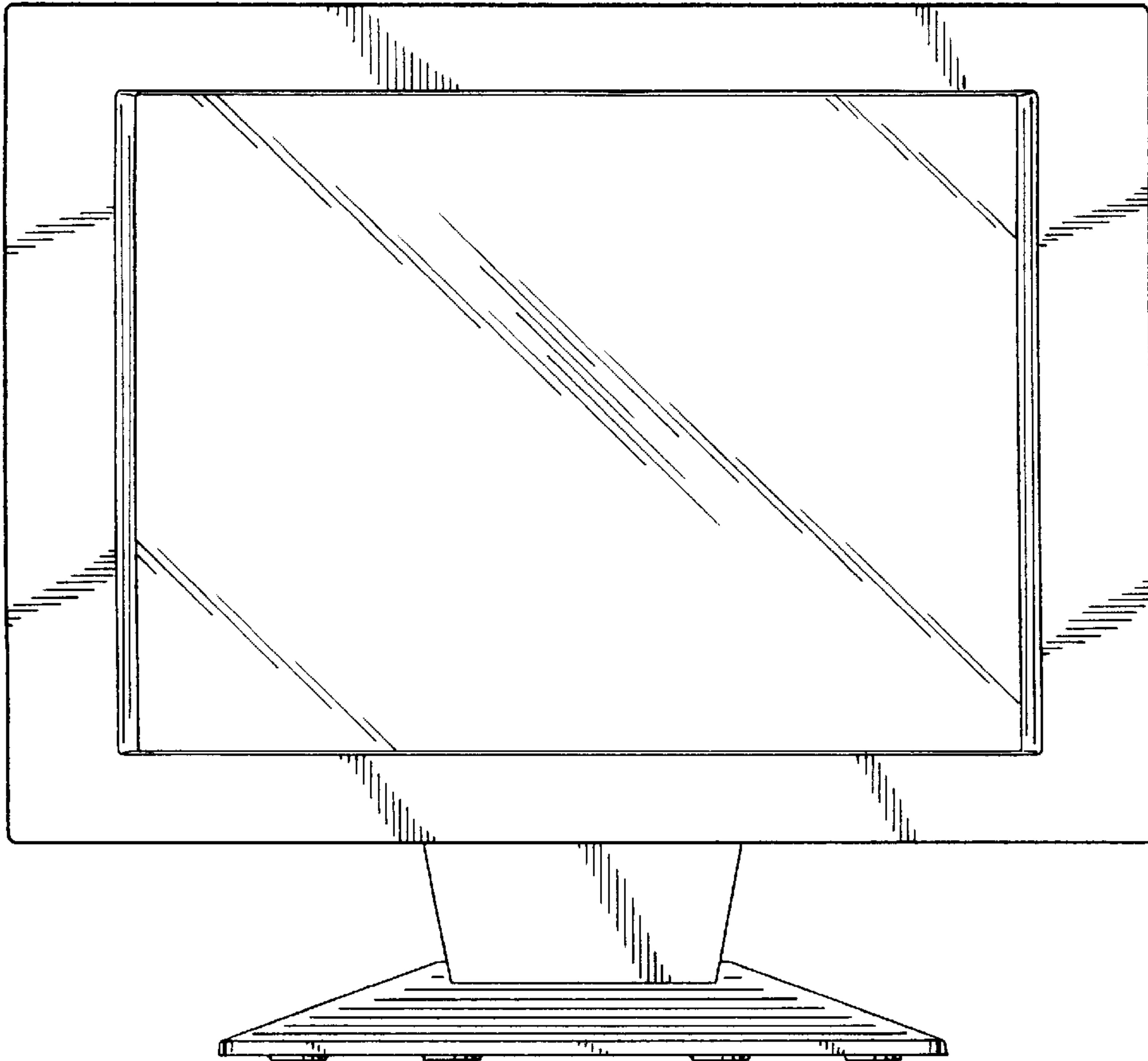


FIG. 5

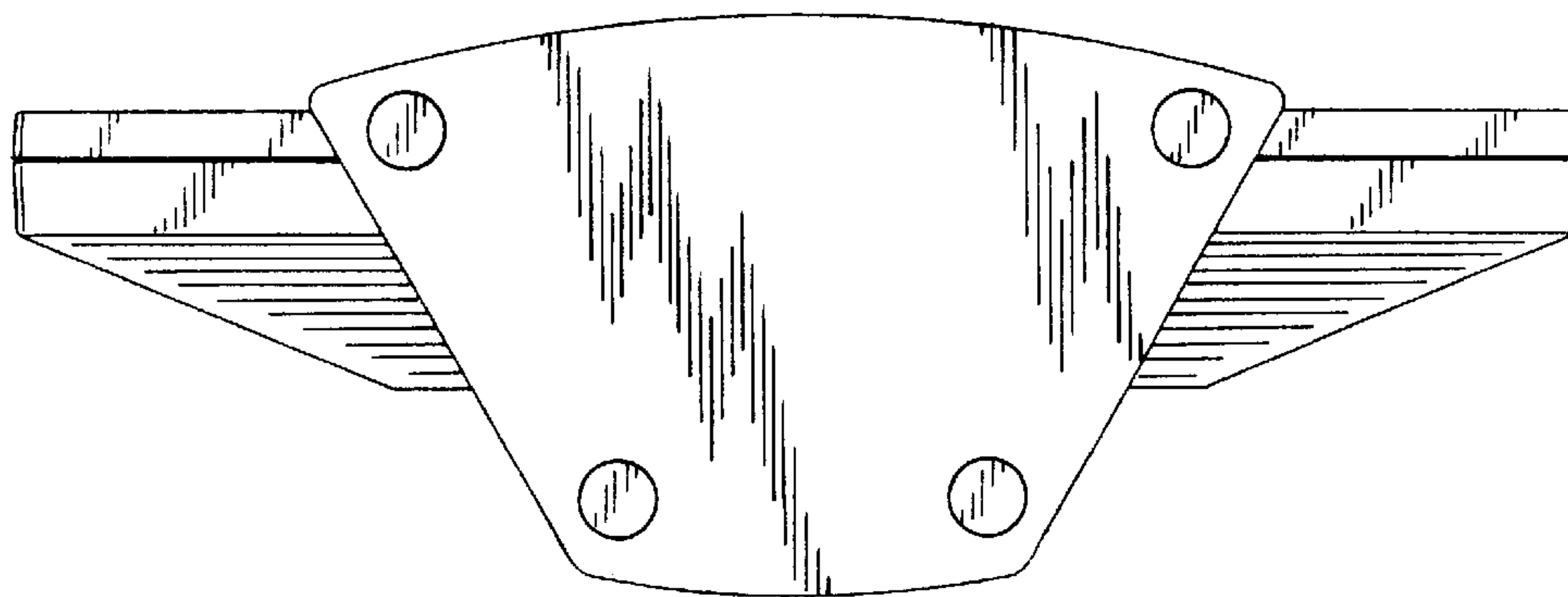


FIG. 6

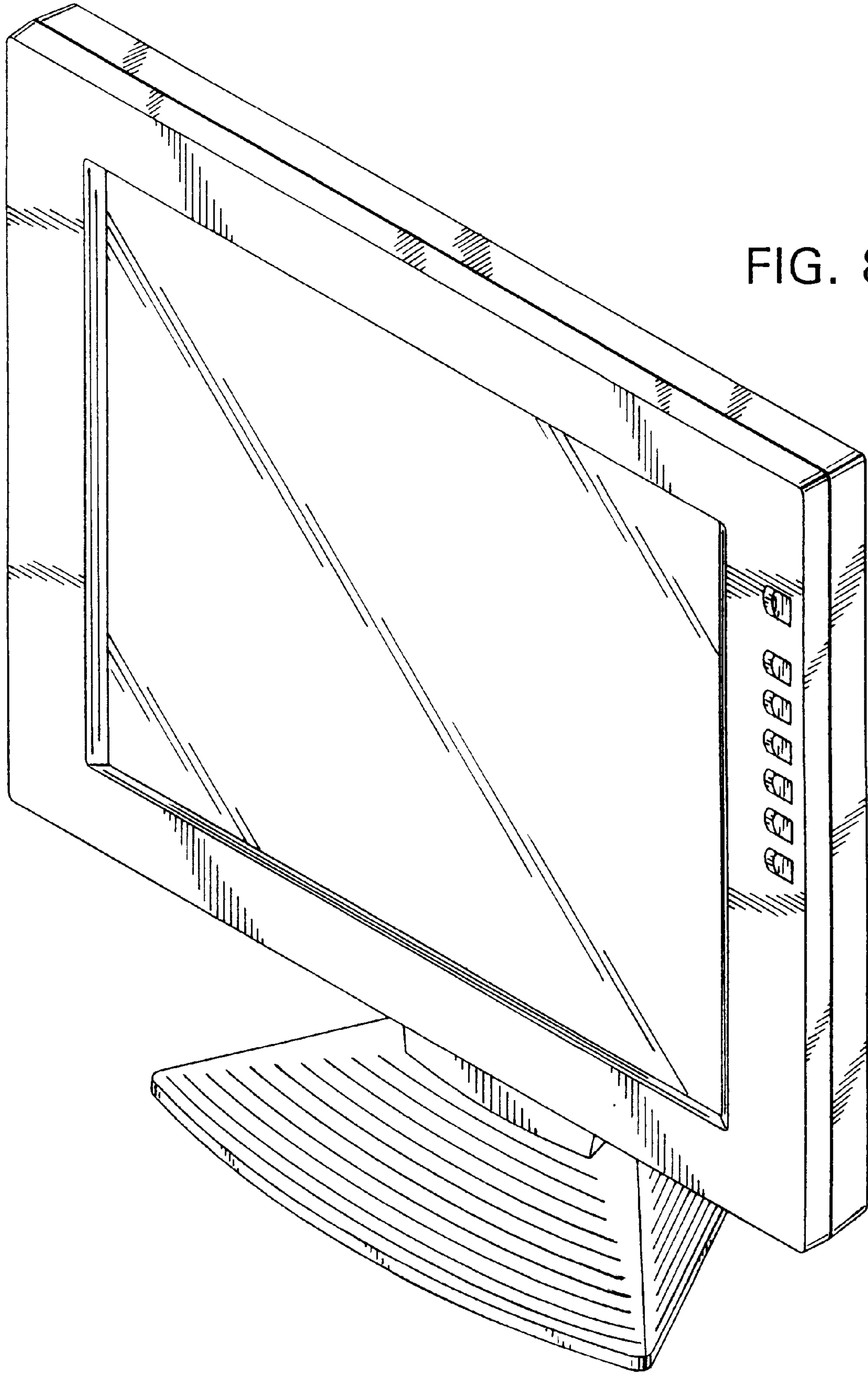


FIG. 8

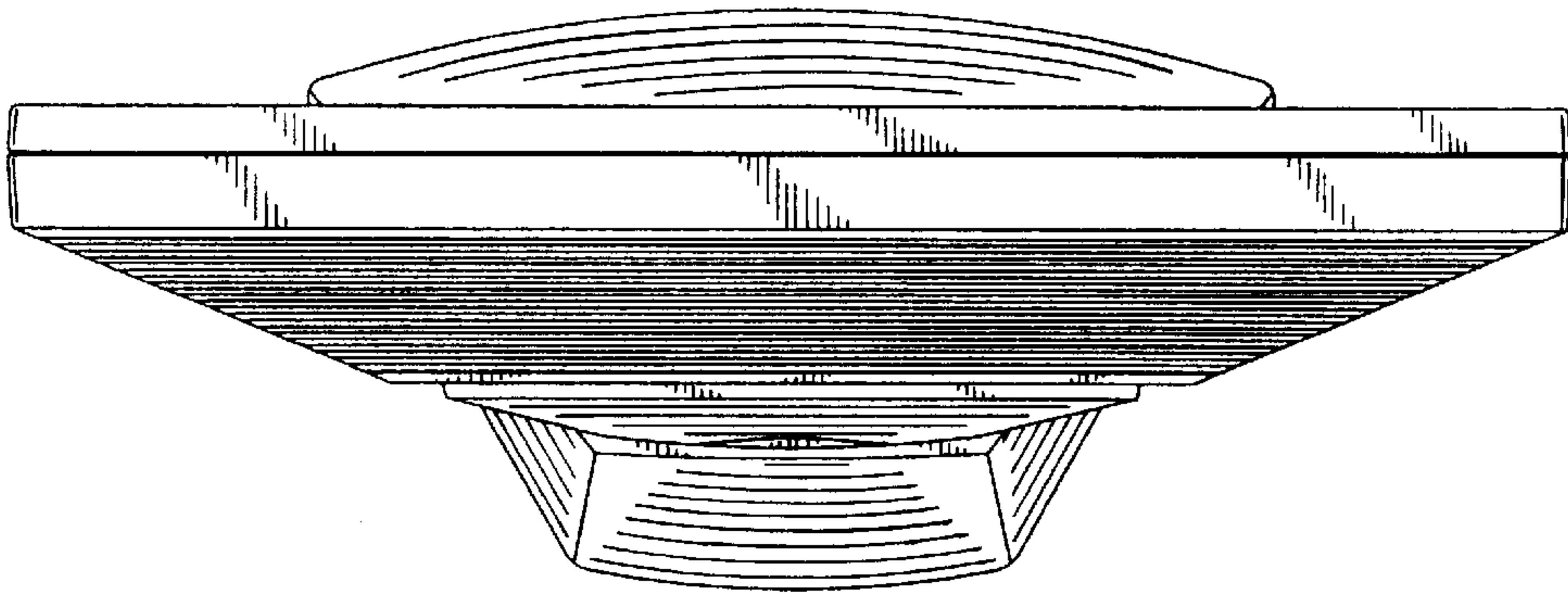


FIG. 9

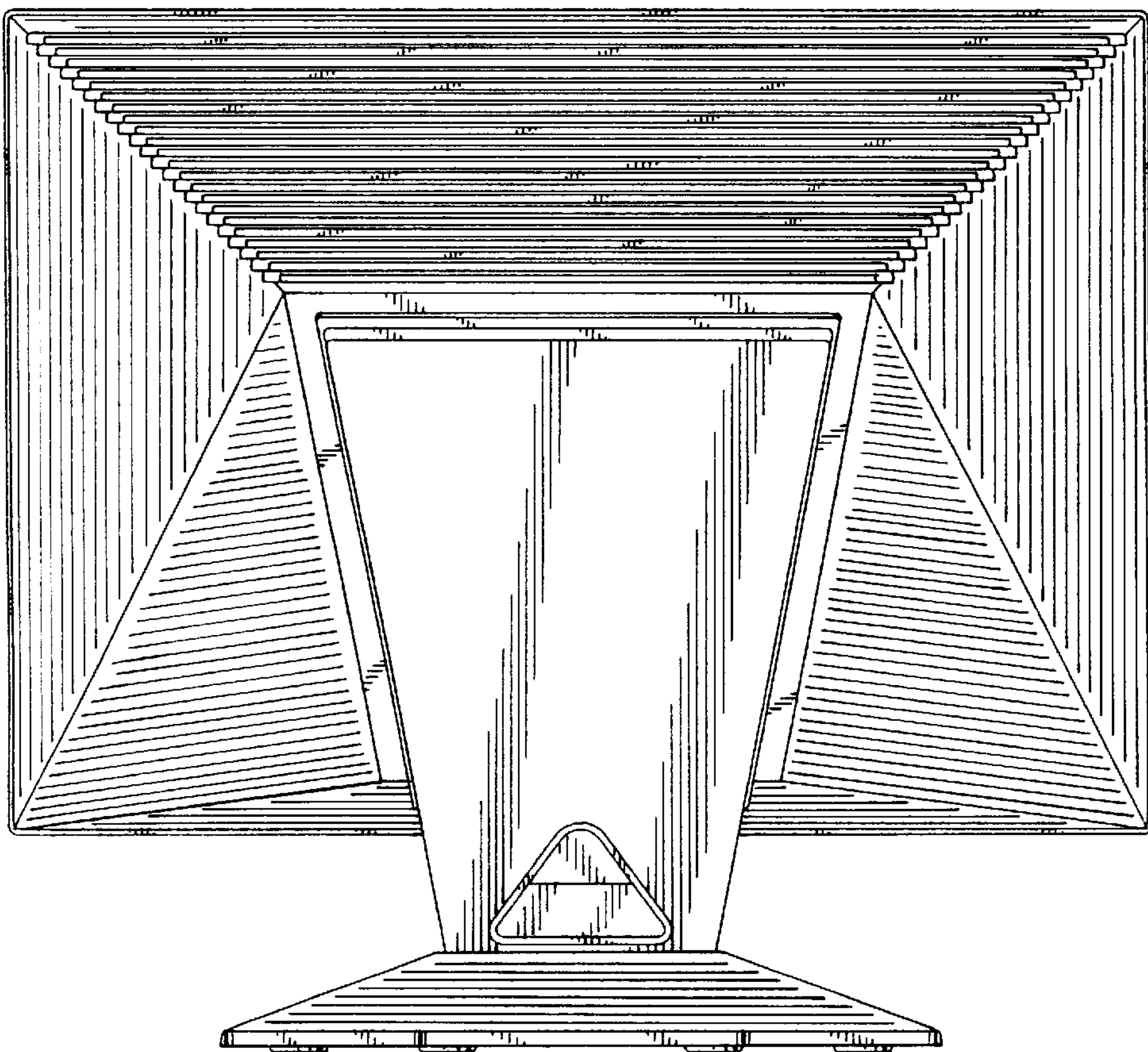


FIG. 10

FIG. 11

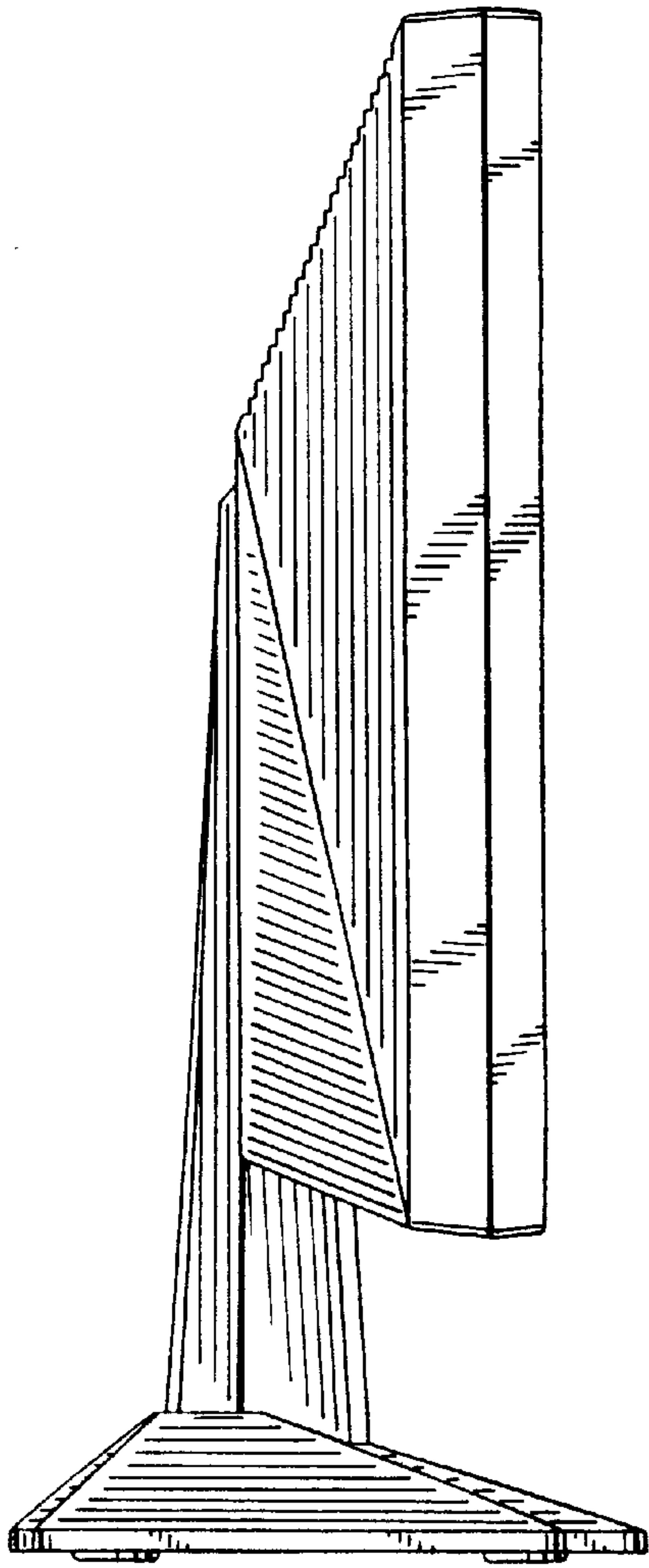
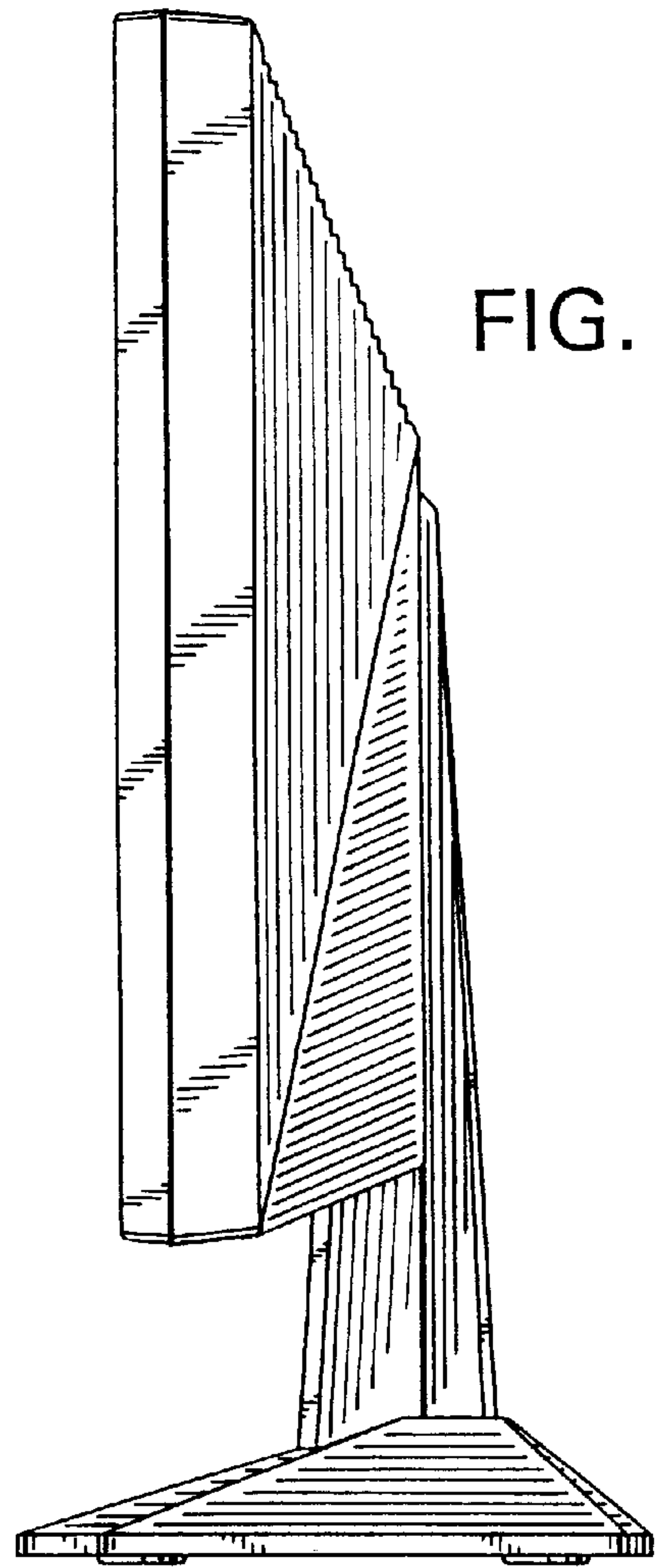


FIG. 14



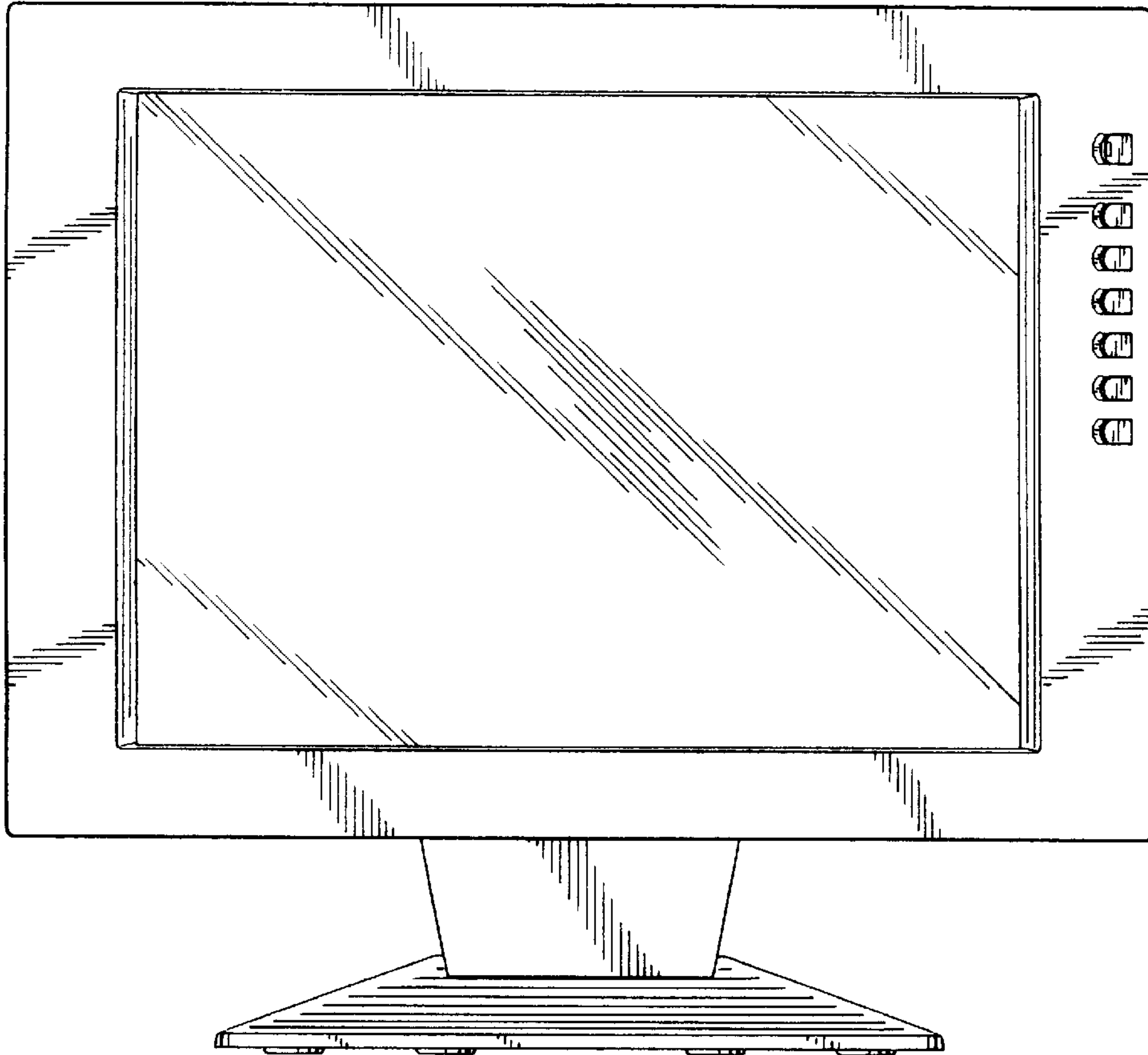


FIG. 12

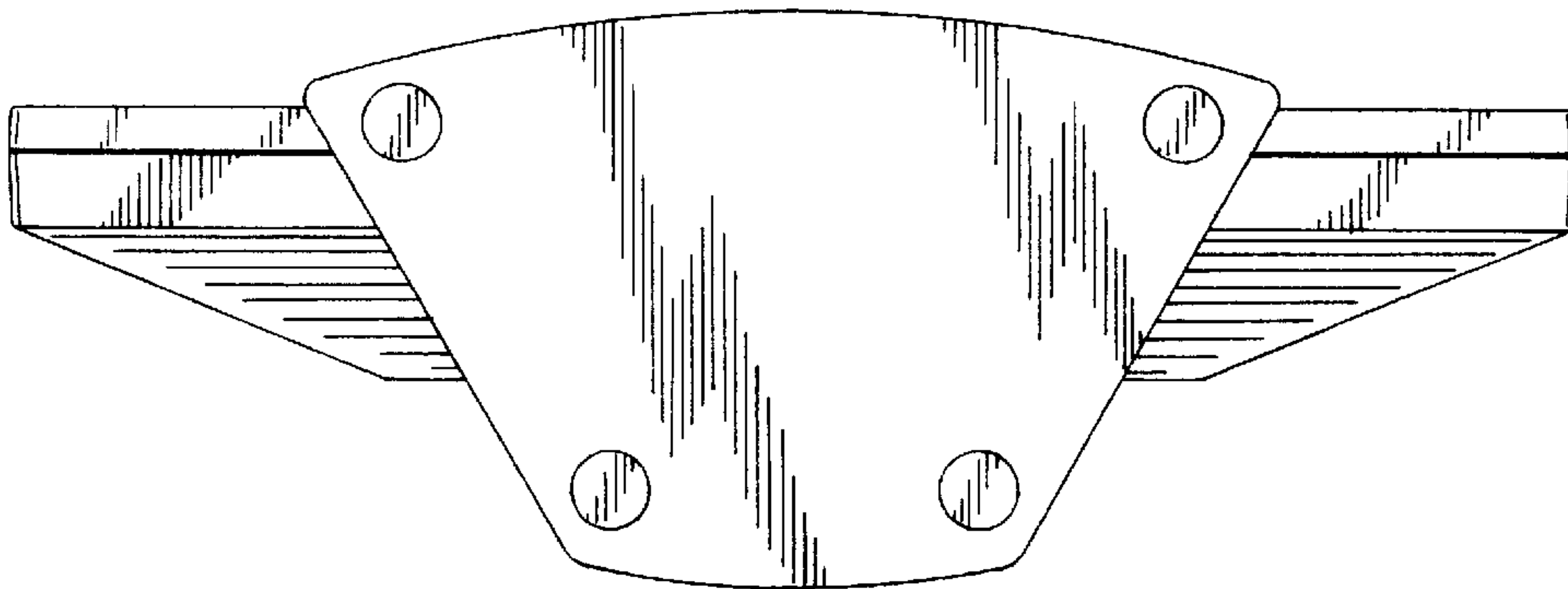


FIG. 13