



US00D413594S

United States Patent [19] Renk

[11] Patent Number: Des. 413,594

[45] Date of Patent: ** Sep. 7, 1999

[54] MONITOR

[75] Inventor: Thomas Edward Renk, Indianapolis, Ind.

[73] Assignee: Thomson Consumer Electronics, Inc., Indianapolis, Ind.

[**] Term: 14 Years

[21] Appl. No.: 29/090,731

[22] Filed: Jul. 15, 1998

[51] LOC (6) Cl. 14-02

[52] U.S. Cl. D14/126; D14/126

[58] Field of Search D14/100, 101, D14/106, 113, 124-129; 248/917-924; 341/12; 345/104, 133, 156, 168, 87, 173; 348/180, 184, 325, 739; 349/1, 2, 11, 62

[56] References Cited

U.S. PATENT DOCUMENTS

D. 247,748	4/1978	Ebner et al.	D14/113
D. 285,689	9/1986	Kelley, Jr. et al.	D14/113
D. 359,029	6/1995	Bolles	D14/100
D. 392,946	3/1998	Elkins	D14/100
D. 393,462	4/1998	Morimiya	D14/126
D. 395,041	6/1998	Leveridge et al.	D14/113

Primary Examiner—Freda Nunn
Attorney, Agent, or Firm—Woodard, Emhardt, Naughton, Moriarty & McNett

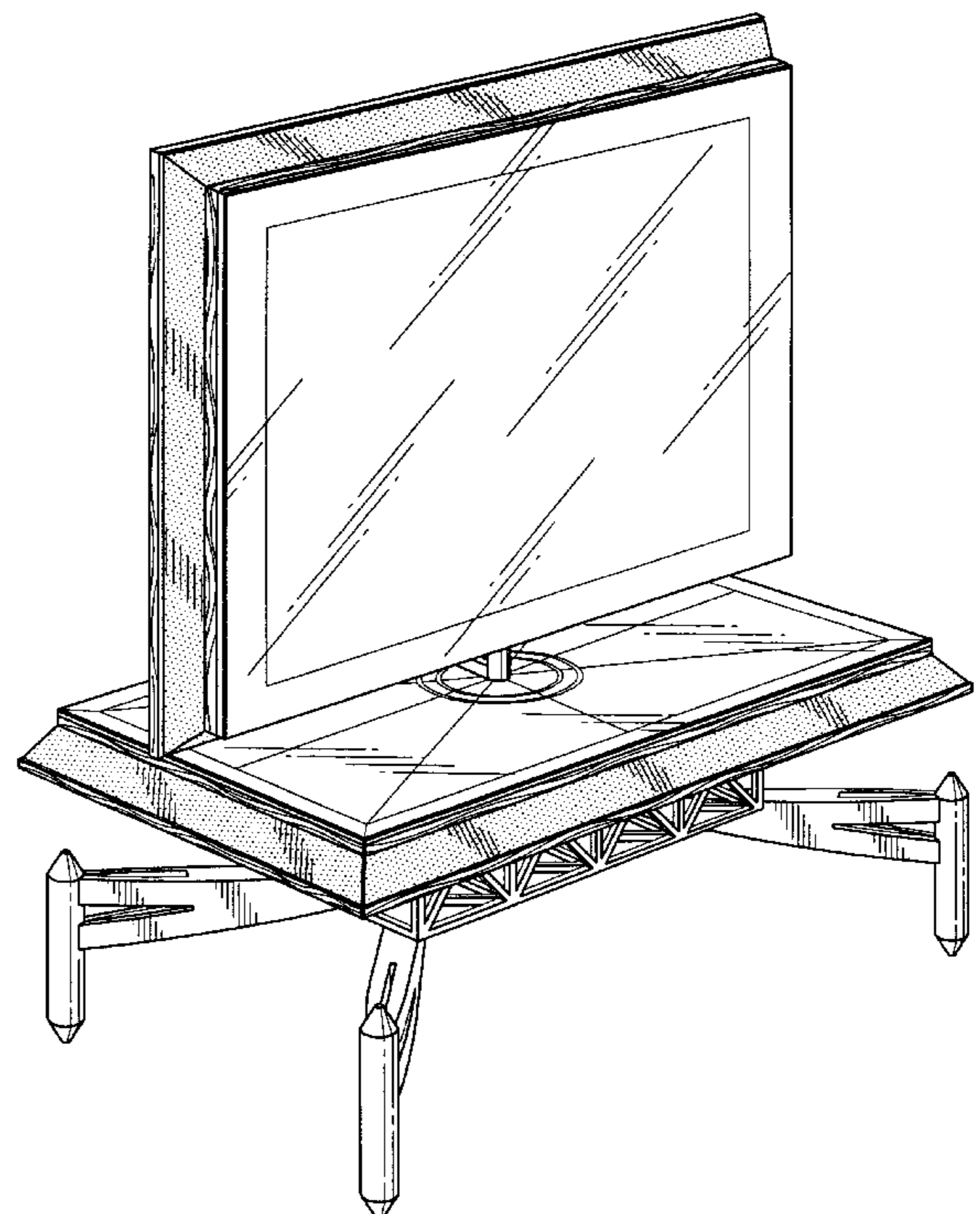
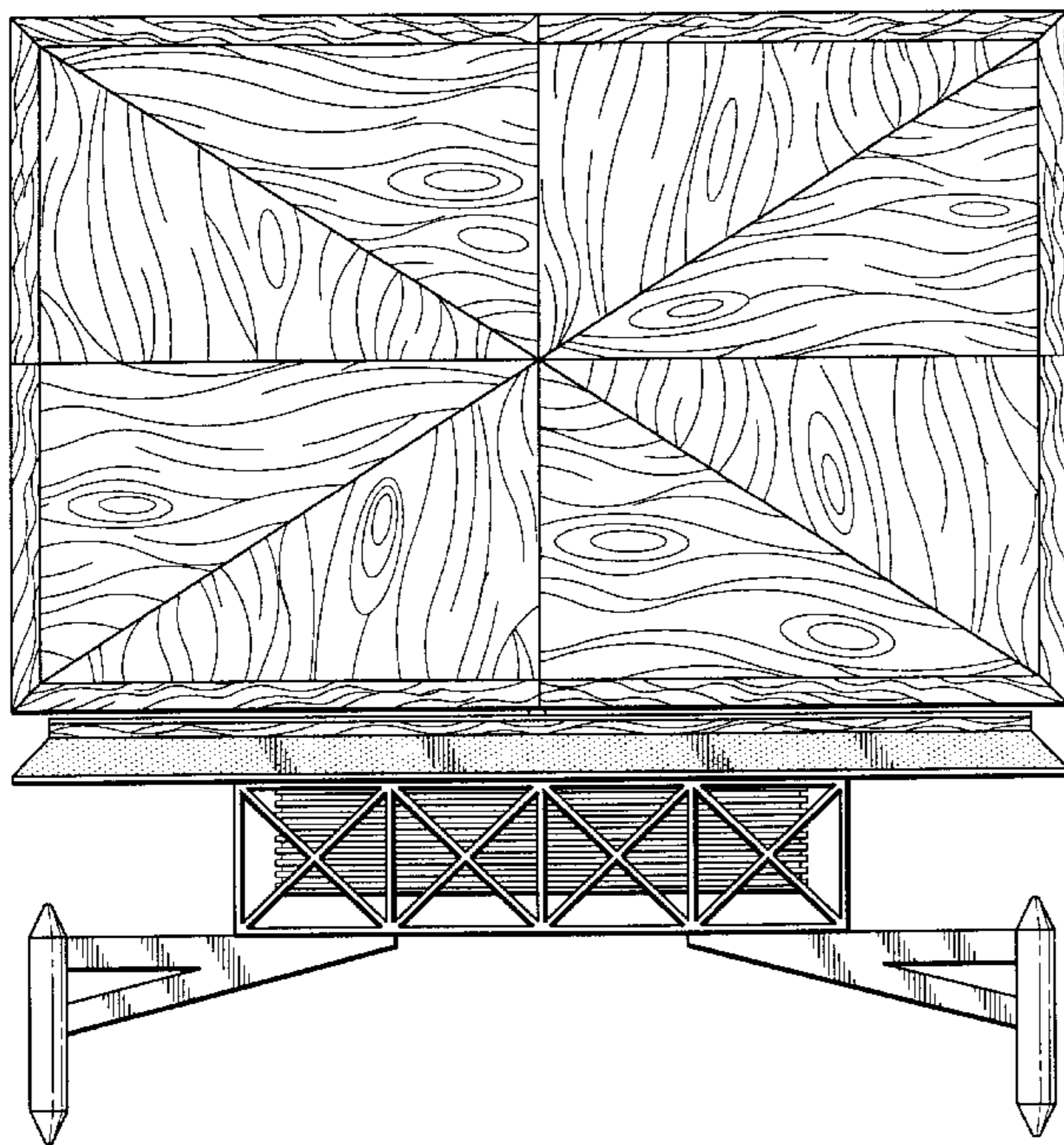
[57] CLAIM

The ornamental design for a monitor, as shown and described.

DESCRIPTION

FIG. 1 is a front elevational view of a monitor showing my new design;
 FIG. 2 is a rear elevational view thereof;
 FIG. 3 is a left side elevational view thereof, the right side view being symmetrical to the left side view;
 FIG. 4 is a top plan view thereof the bottom view being plain and unornamented except for the areas shown;
 FIG. 5 is a front, right, and top perspective view thereof;
 FIG. 6 is a front elevational view of an alternate embodiment of the monitor showing my new design;
 FIG. 7 is a rear elevational view thereof;
 FIG. 8 is a left side elevational view thereof, the right side view being symmetrical to the left side view;
 FIG. 9 is a top plan view thereof the bottom view being plain and unornamented except for the areas shown; and,
 FIG. 10 is a front, right, and top perspective view thereof.

1 Claim, 10 Drawing Sheets



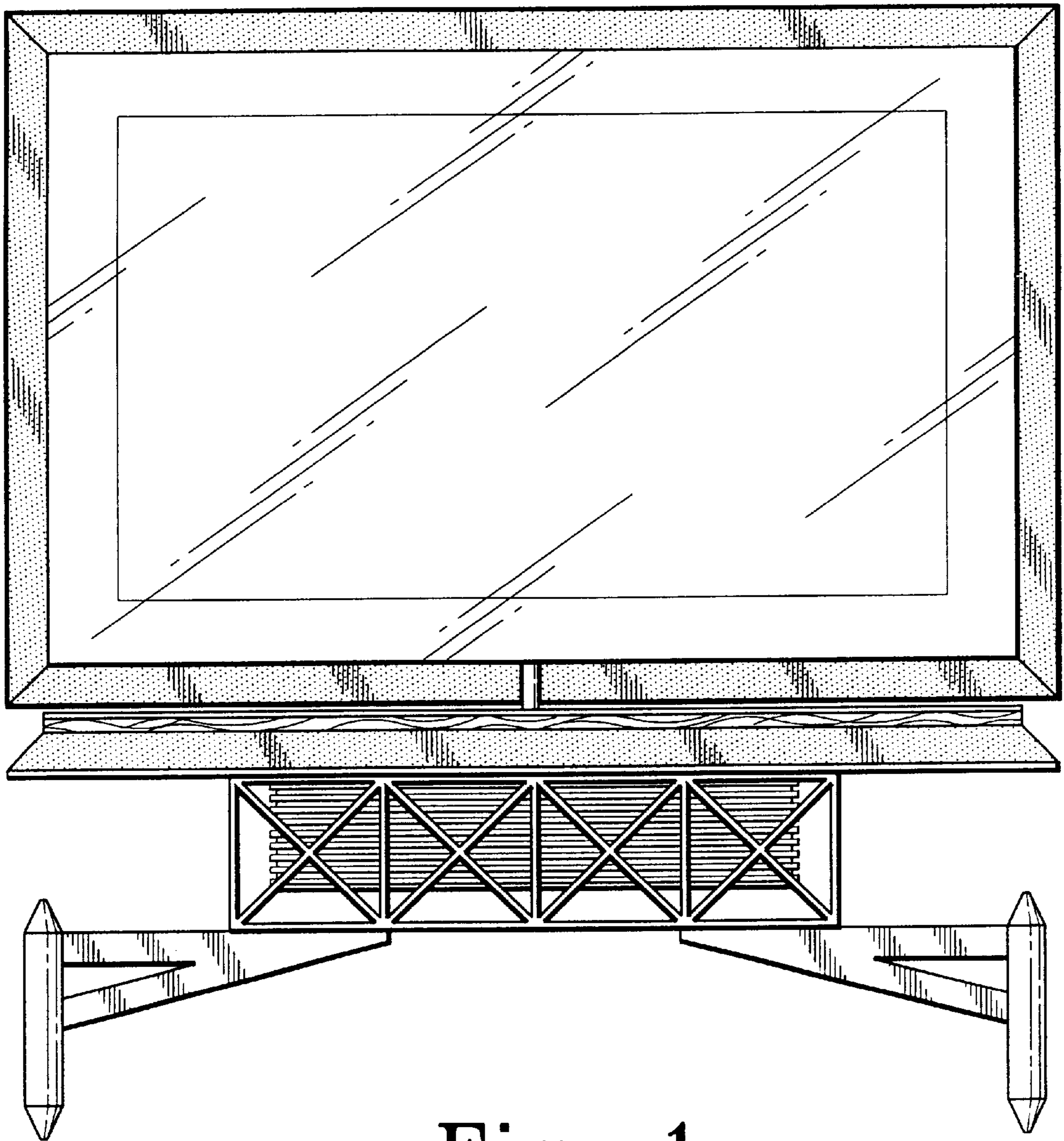


Fig. 1

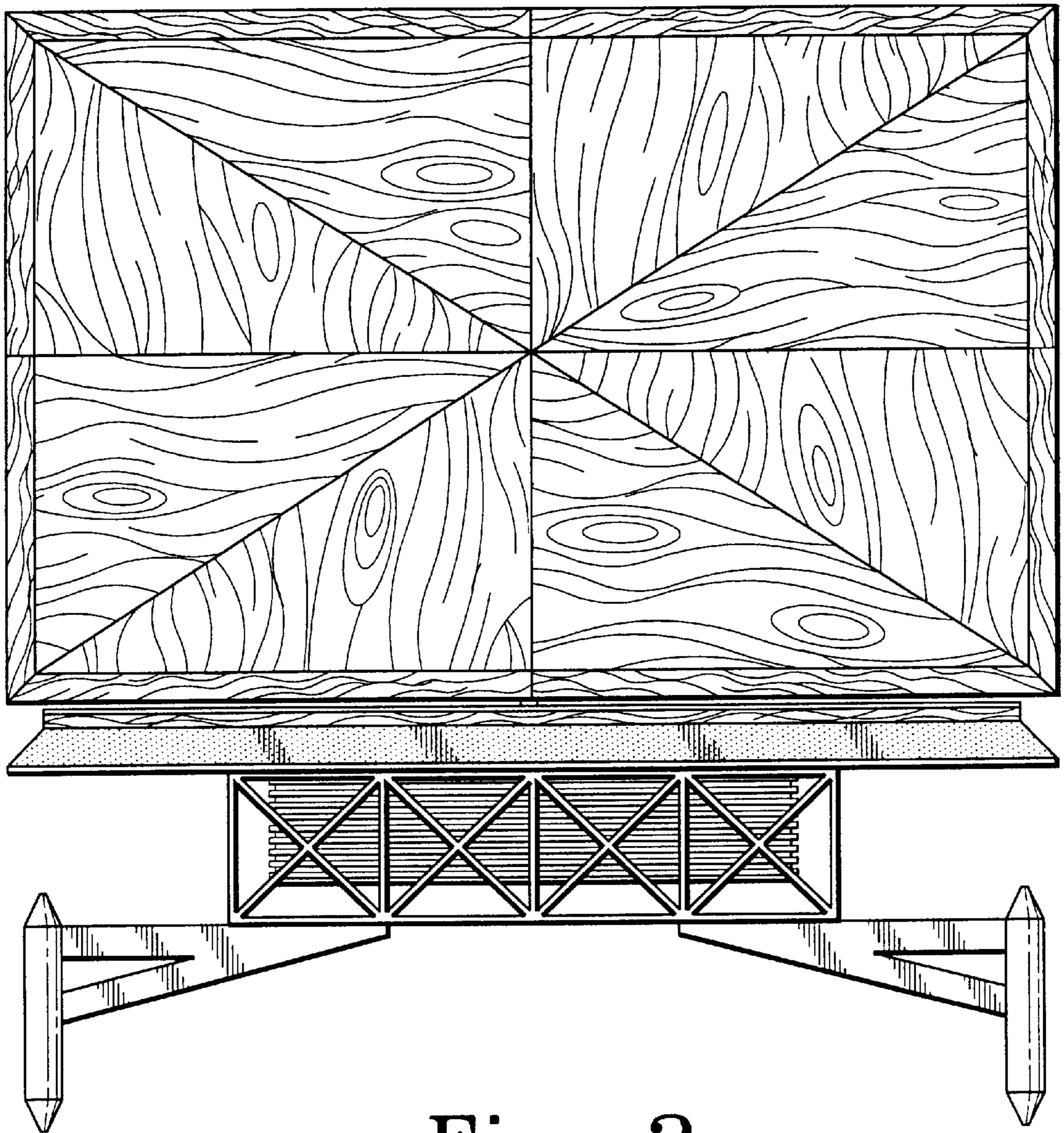


Fig. 2

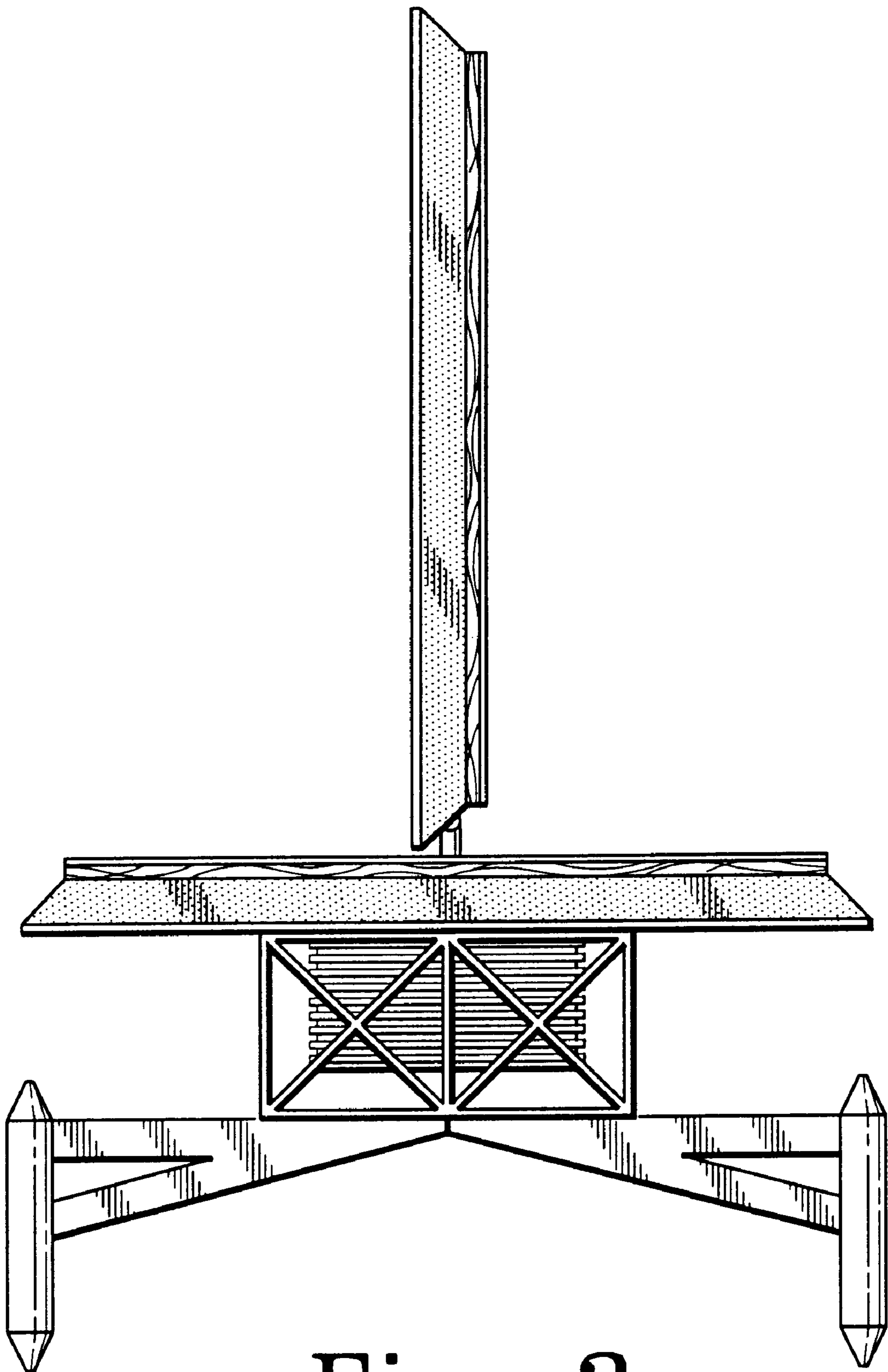


Fig. 3

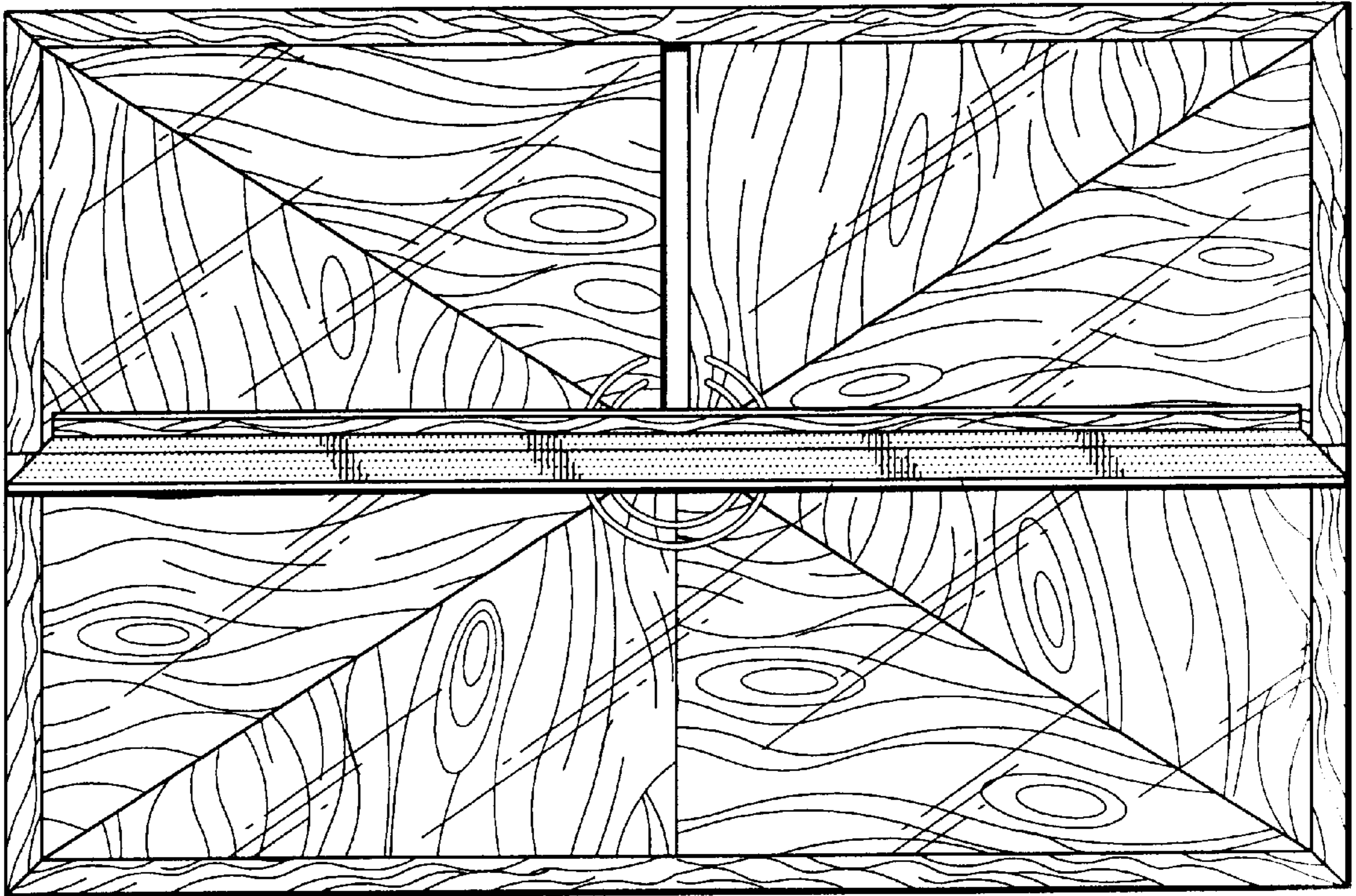


Fig. 4

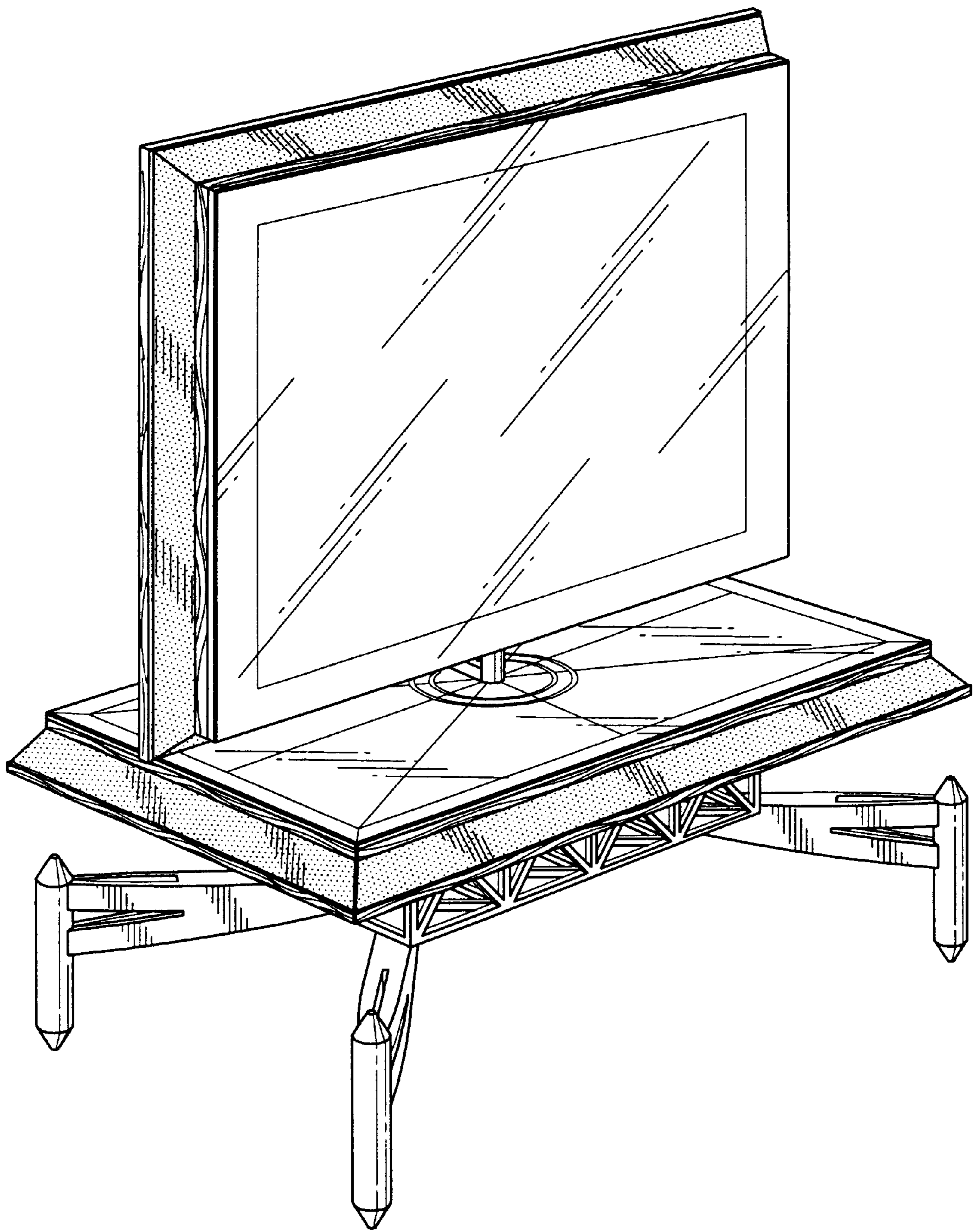


Fig. 5

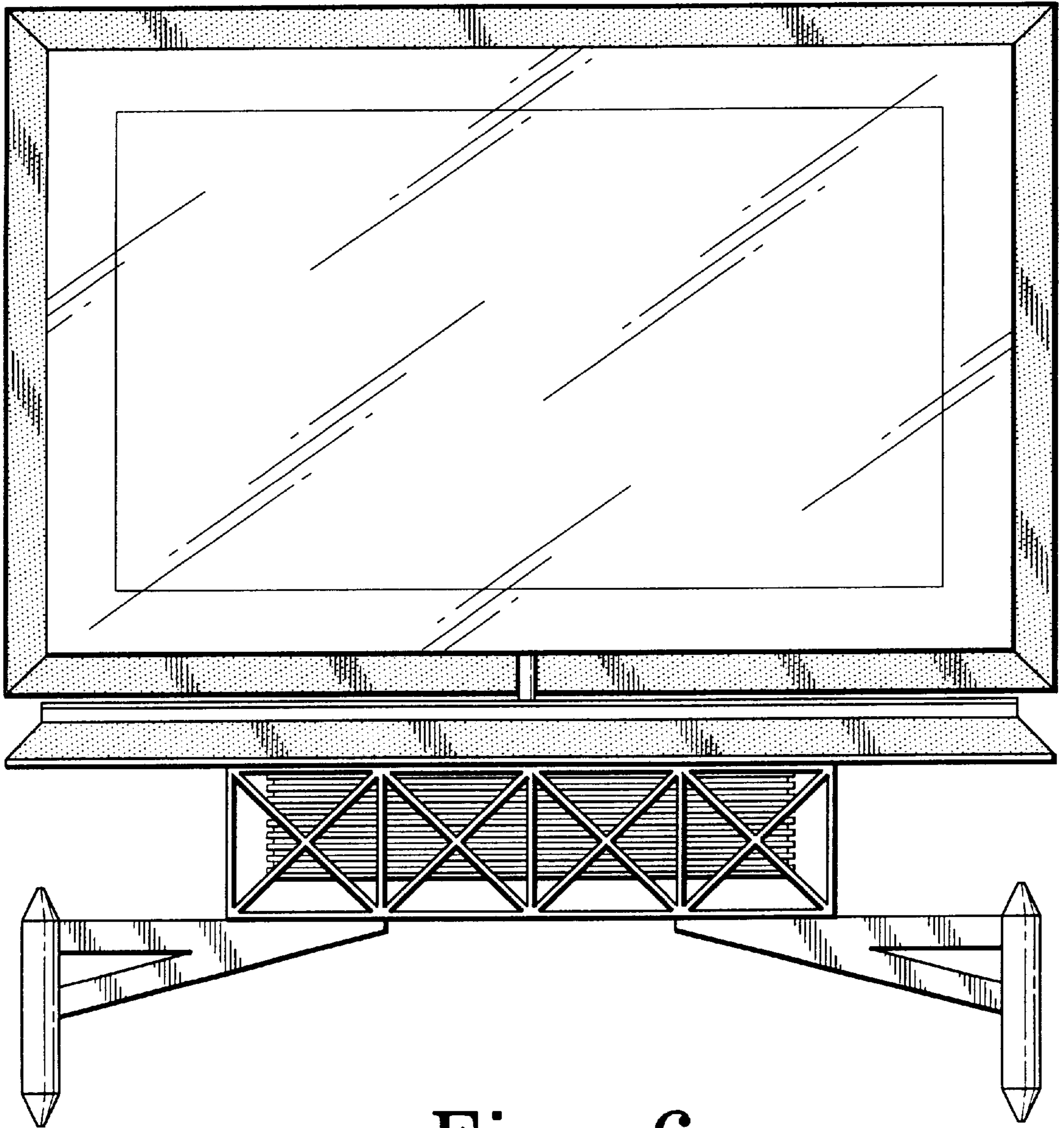


Fig. 6

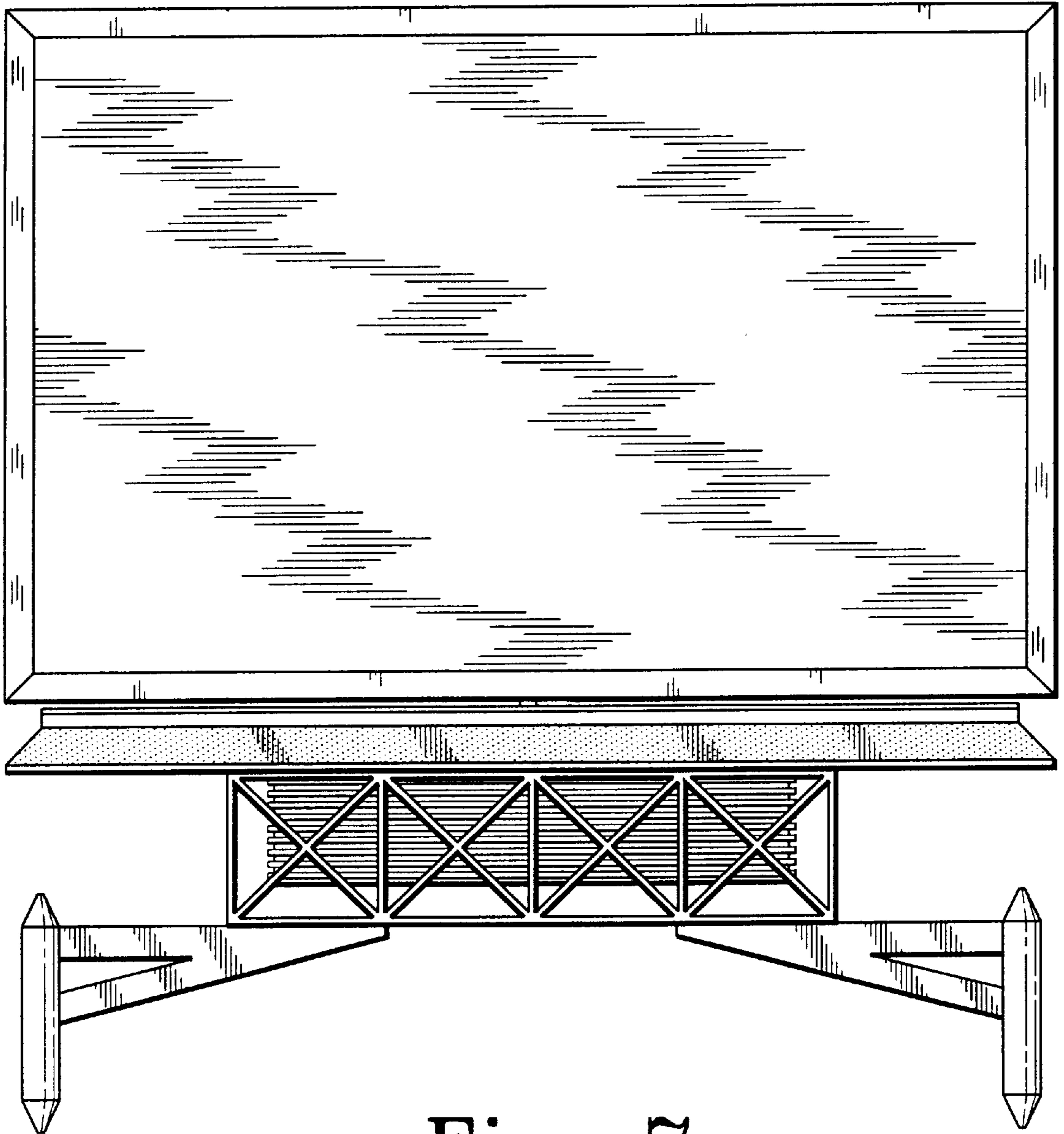


Fig. 7

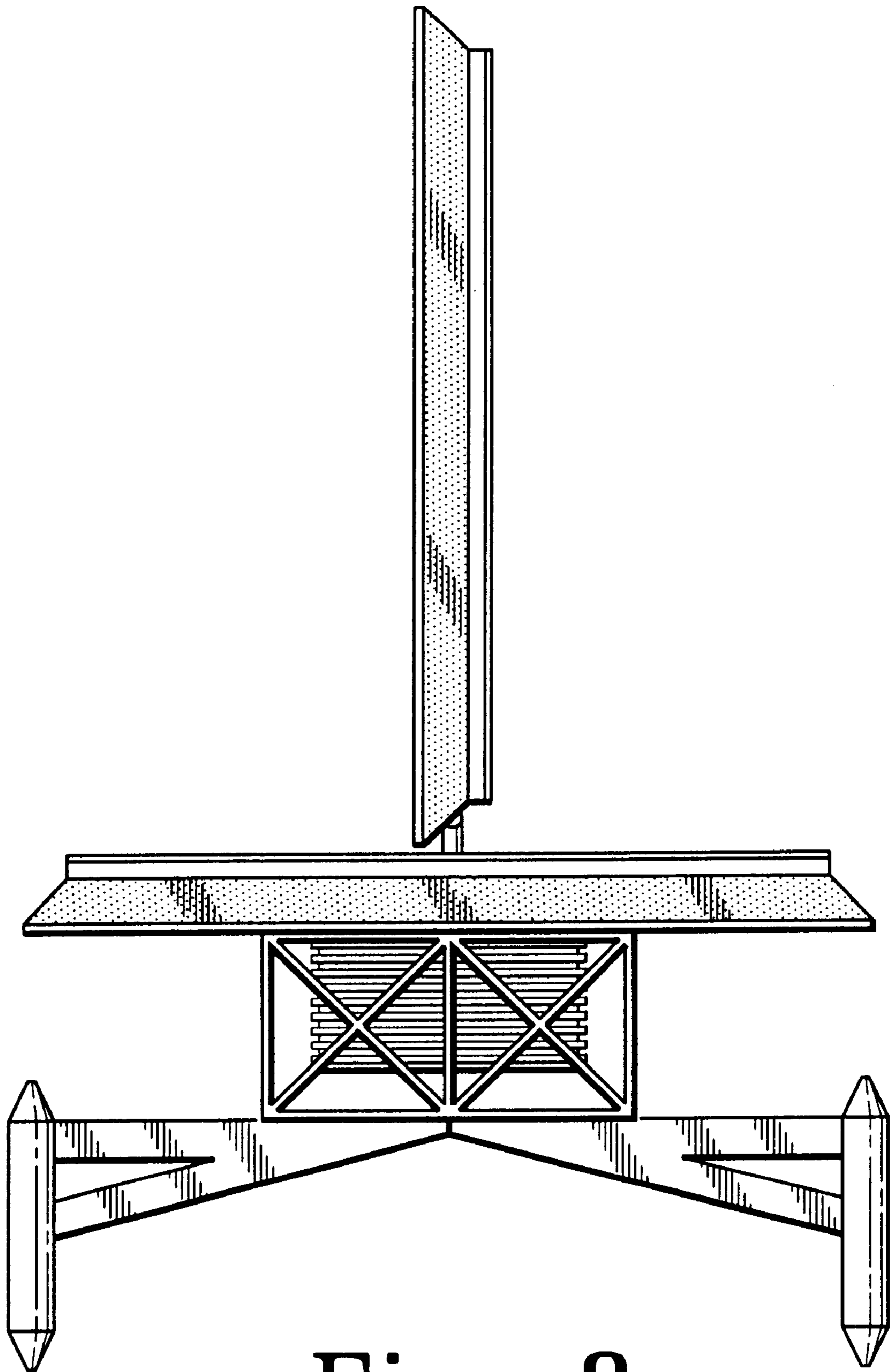


Fig. 8

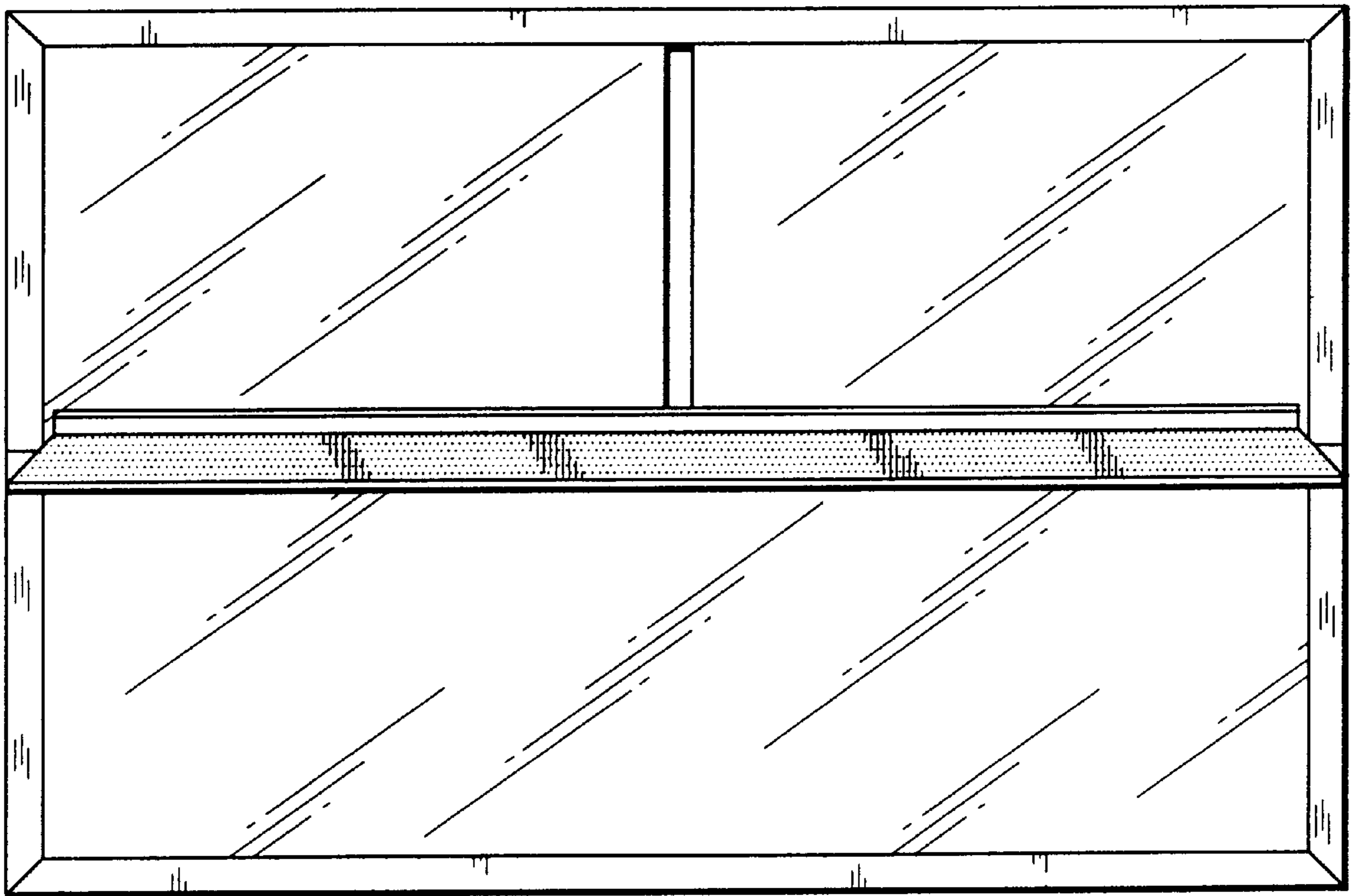


Fig. 9

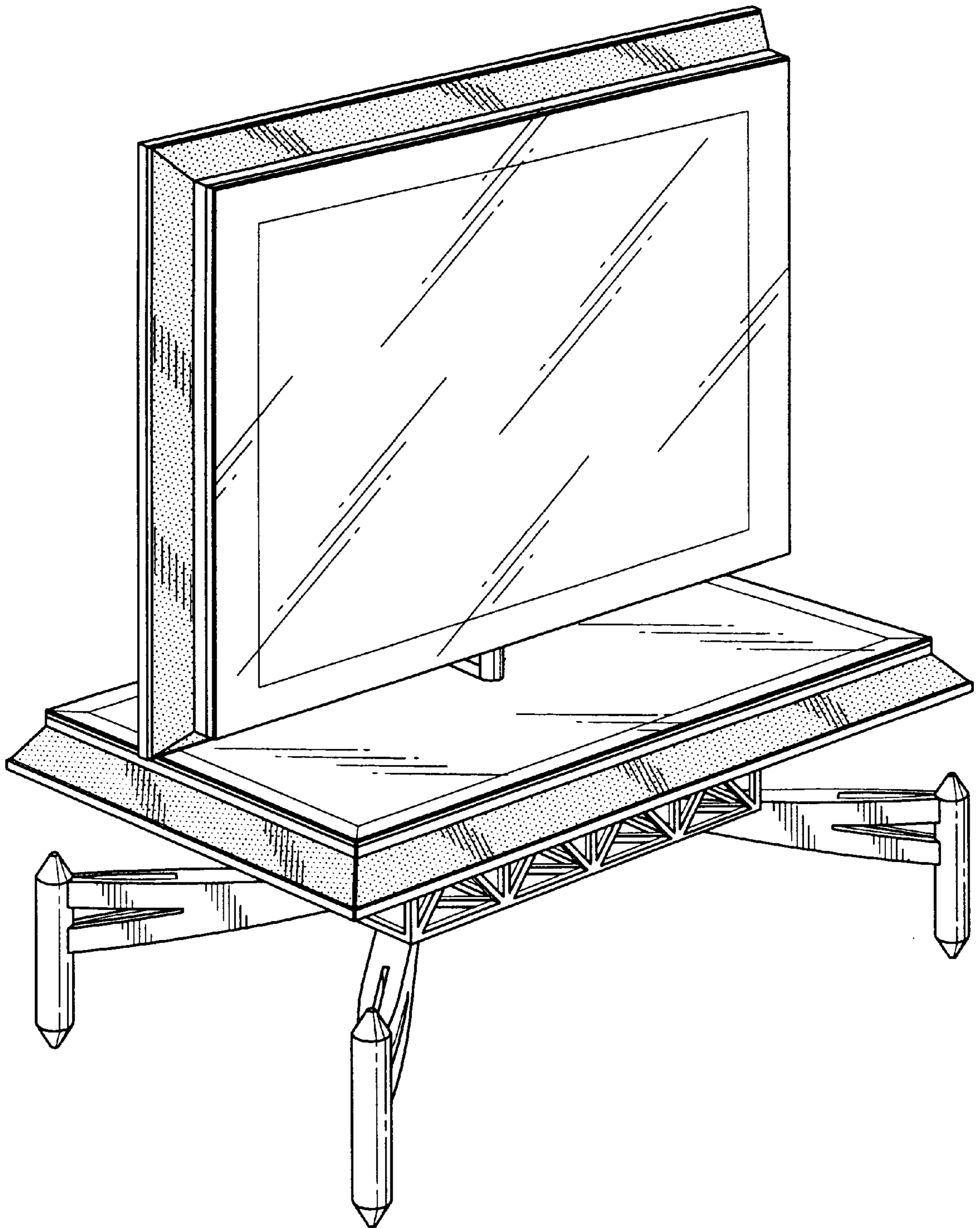


Fig. 10