



US00D413593S

# United States Patent [19]

Suzuki et al.

[11] Patent Number: Des. 413,593

[45] Date of Patent: \*\* Sep. 7, 1999

[54] SELECTING DEVICE

[75] Inventors: Satoshi Suzuki; Keitaro Tsuboki, both of Tokyo, Japan

[73] Assignee: Sony Corporation, Tokyo, Japan

[\*\*] Term: 14 Years

[21] Appl. No.: 29/068,354

[22] Filed: Apr. 7, 1997

### [30] Foreign Application Priority Data

Oct. 16, 1996 [JP] Japan ..... 8-30729

[51] LOC (6) Cl. .... 14-03

[52] U.S. Cl. .... D14/124; D13/184

[58] Field of Search ..... D14/124, 125, D14/188, 239, 299; D13/184; 340/825.03; 348/10, 11, 706; 455/6.1, 6.2, 3.2; D21/324, 333

### [56] References Cited

#### U.S. PATENT DOCUMENTS

D. 307,587 5/1990 Marcune ..... D14/124 X  
D. 320,982 10/1991 Siddoway ..... D14/124 X

D. 341,567 11/1993 Acker et al. .... D13/184 X  
D. 385,562 10/1997 Nijima et al. .... D14/188

#### OTHER PUBLICATIONS

Sony AV Connection Code/AV Accessory Total Catalog, Sony Corp. (May 1996).

Primary Examiner—Raphael Barkai  
Assistant Examiner—Richelle Shelton  
Attorney, Agent, or Firm—Foley & Lardner

### [57] CLAIM

The ornamental design for a selecting device, as shown and described.

#### DESCRIPTION

FIG. 1 is a perspective view of a selecting device showing our new design;  
FIG. 2 is a top plan view thereof;  
FIG. 3 is a front elevational view thereof;  
FIG. 4 is a right side elevational view thereof, a left side elevational view being a mirror image;  
FIG. 5 is a rear elevational view thereof; and,  
FIG. 6 is a bottom plan view thereof.

1 Claim, 3 Drawing Sheets

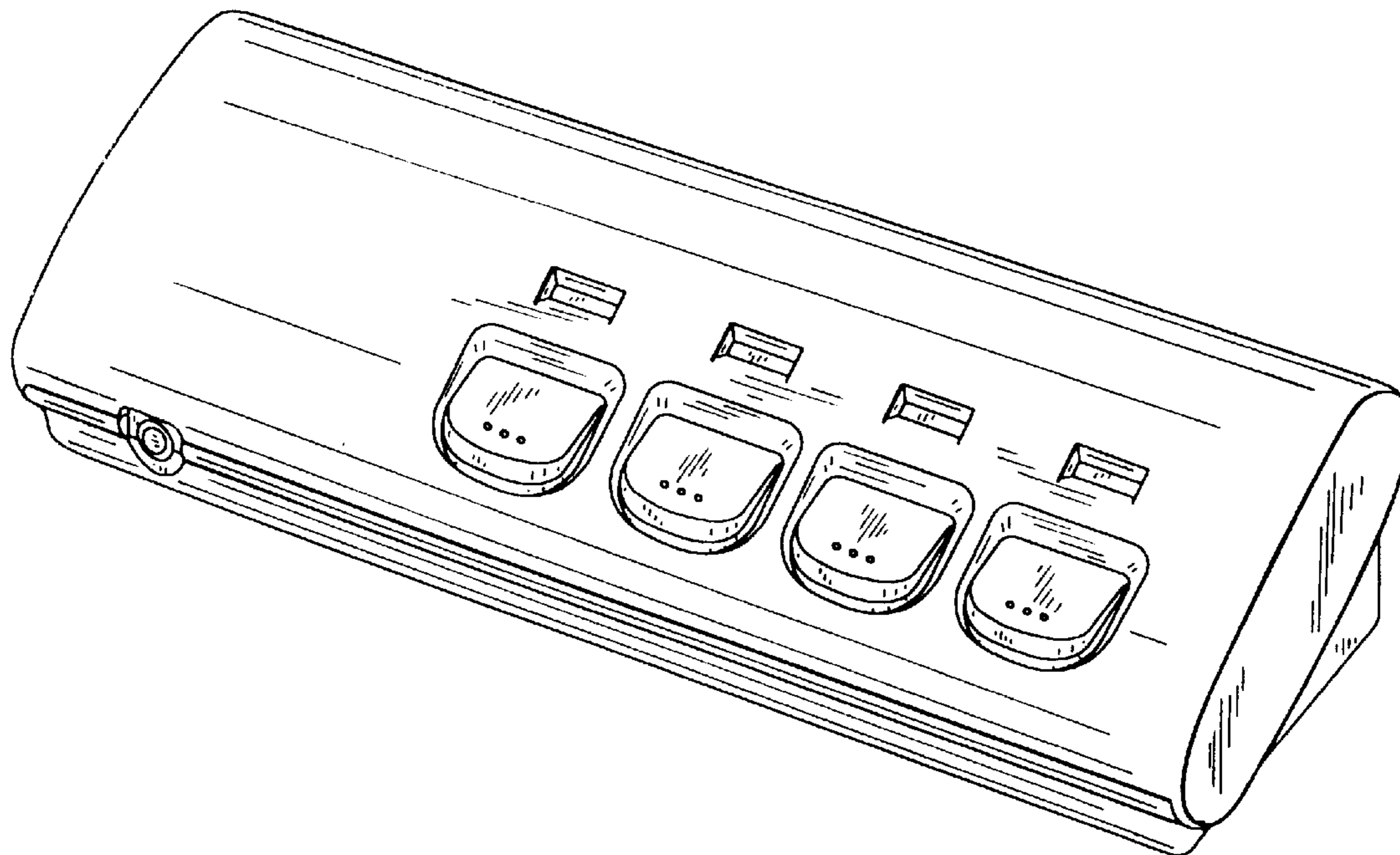


FIG. 1

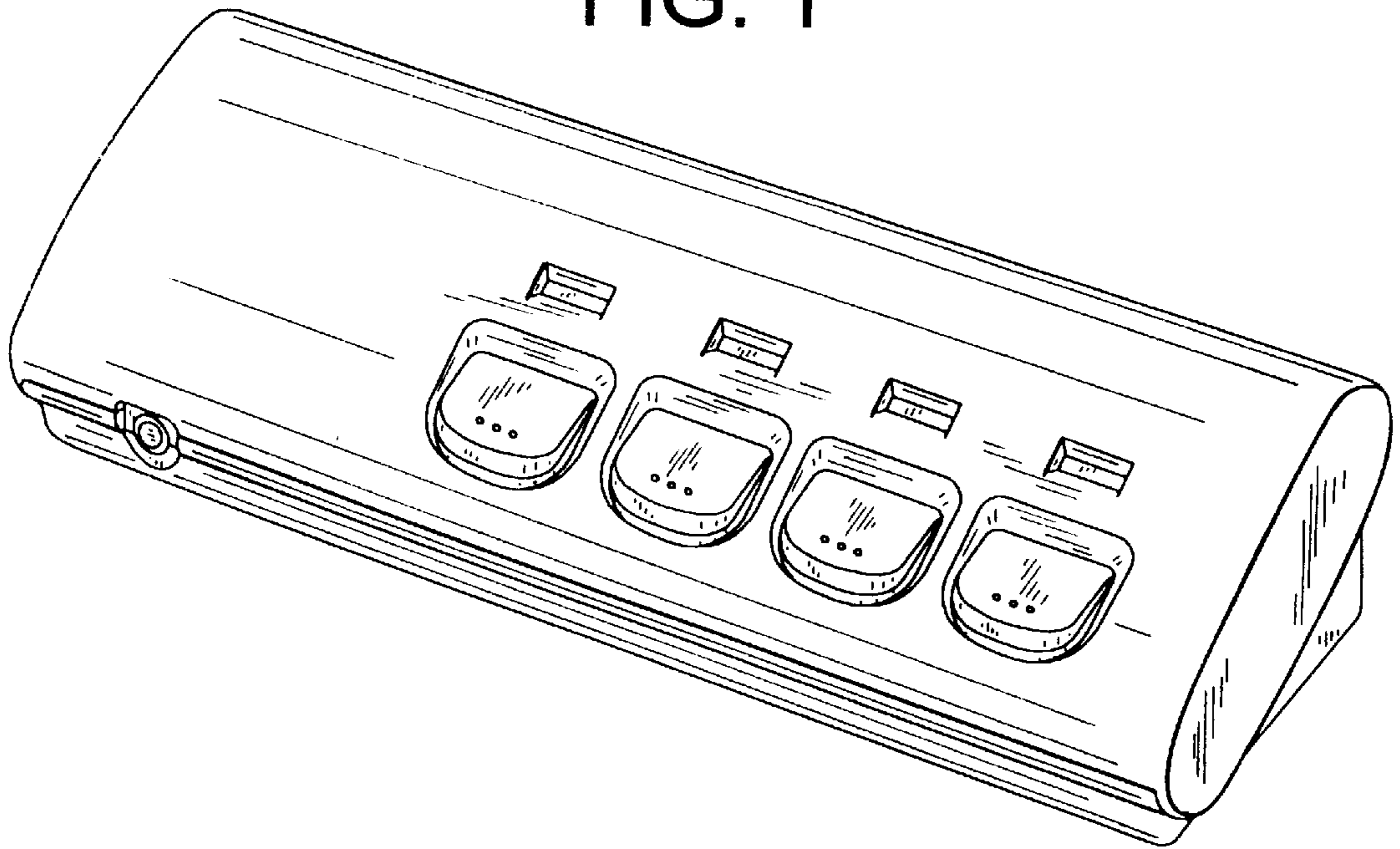


FIG. 2

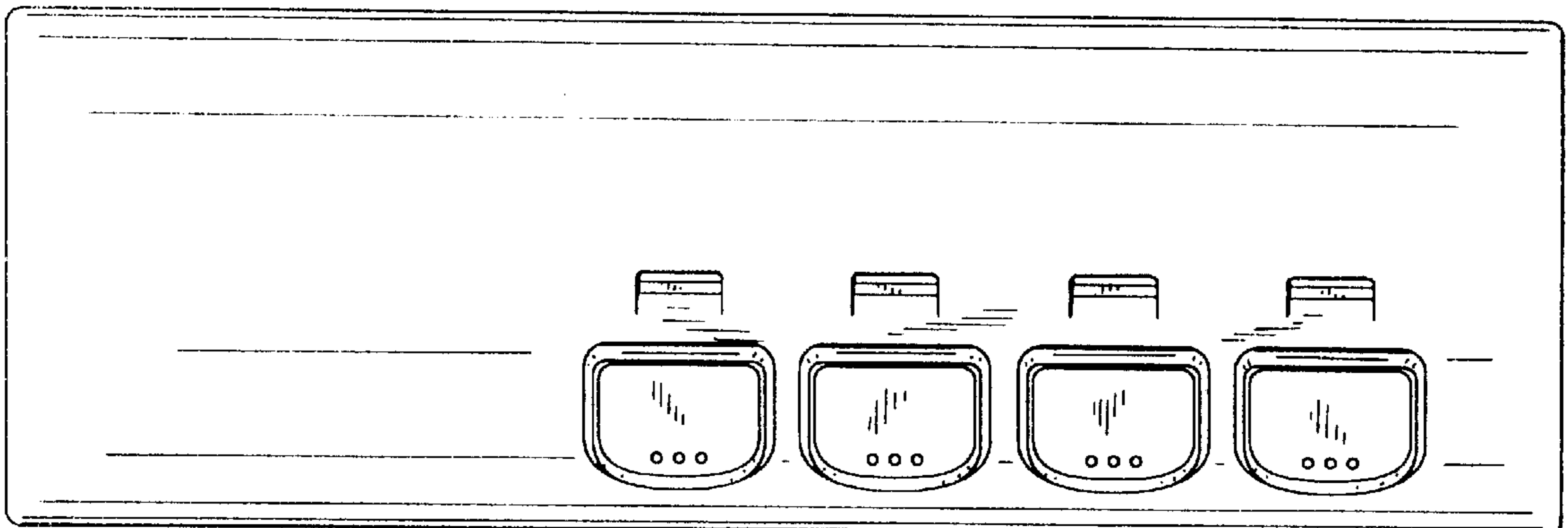


FIG. 3

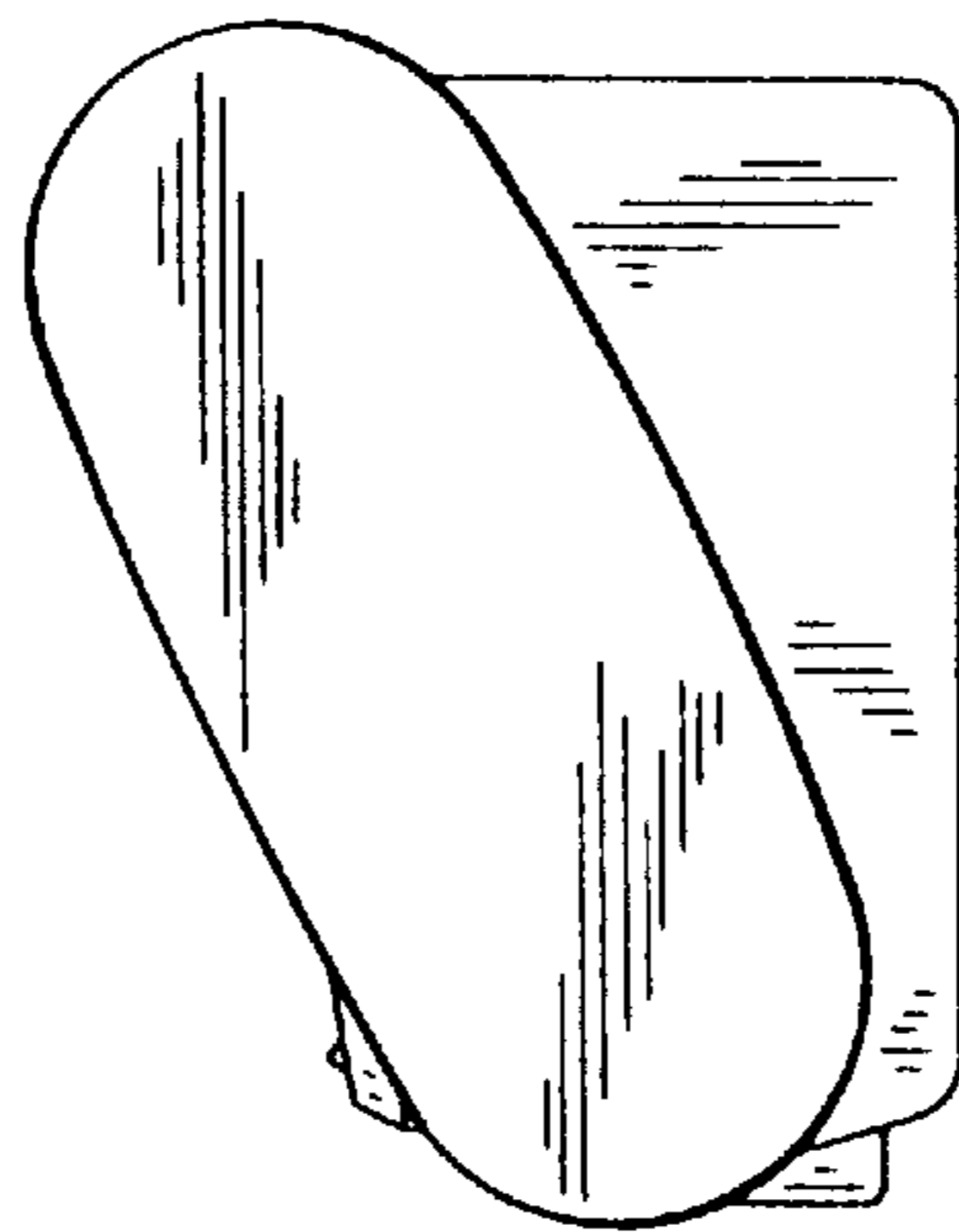


FIG. 4

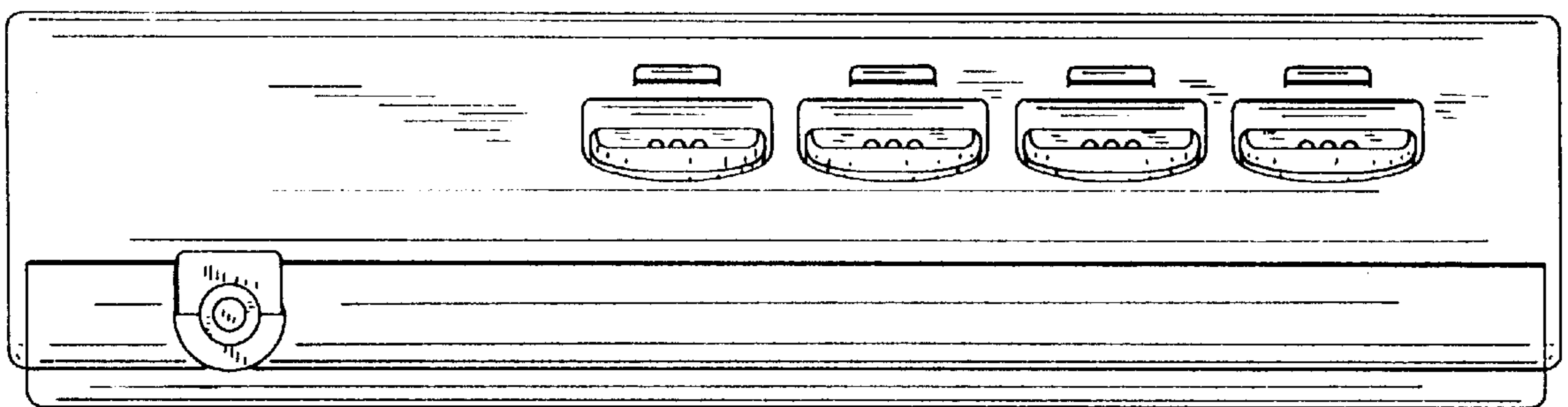


FIG. 5

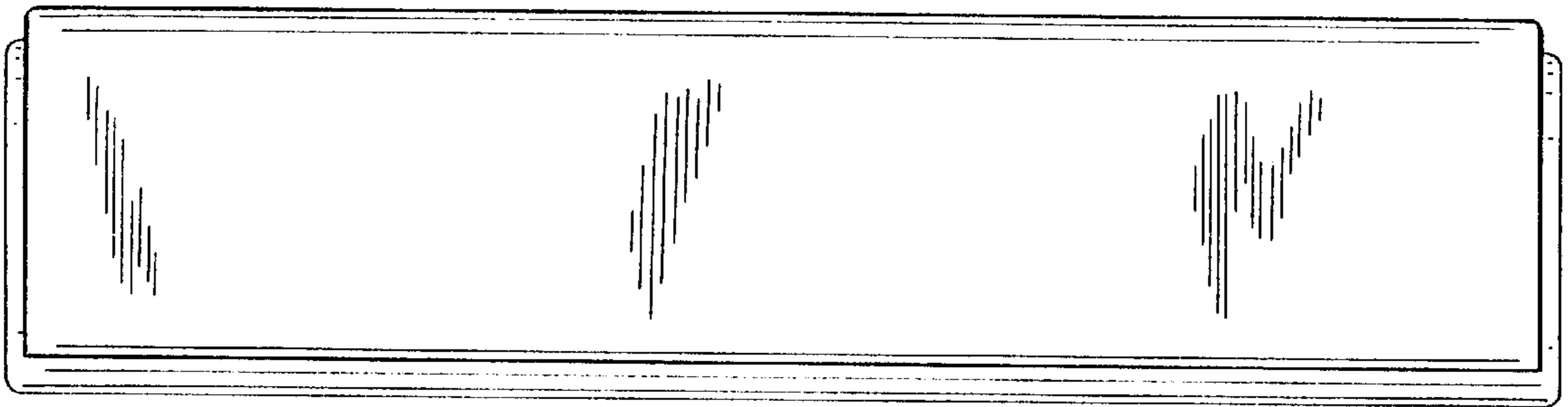


FIG. 6

