



US00D413579S

United States Patent [19]

[11] **Patent Number: Des. 413,579**

Mullet et al.

[45] **Date of Patent: ** Sep. 7, 1999**

[54] **TRANSMITTER FOR GARAGE DOOR OPERATOR**

[75] Inventors: **Willis J. Mullet**, Pensacola Beach, Fla.;
Derek S. Paquette, Robertsedale, Ala.

[73] Assignee: **Wayne-Dalton Corp.**, Mt. Hope, Ohio

[**] Term: **14 Years**

[21] Appl. No.: **29/094,353**

[22] Filed: **Sep. 30, 1998**

[51] **LOC (6) Cl. 13-03**

[52] **U.S. Cl. D13/168**

[58] **Field of Search** D10/106; D13/162,
D13/164, 168, 171; D14/191, 218, 174;
340/825.69, 825.72; 455/128, 151.2

[56] **References Cited**

U.S. PATENT DOCUMENTS

D. 333,795	3/1993	Issa	D10/106
D. 355,620	2/1995	Drimer	D10/106
D. 375,696	11/1996	Seki et al.	D14/218
D. 406,107	2/1999	Flick	D13/168
4,725,827	2/1988	Gallegos, Jr. et al.	D13/168

OTHER PUBLICATIONS

Hardware Age, p. 108, Aug. 1986.

International Door & Operator Industry, Summer 1998, cover and pp. 3, 56, 57, 100 & 133.

Advertising brochure entitled "Wayne Dalton 'Quantum' Garage Door Openers", ©Copyright 1997 Wayne-Dalton Corp.

Advertising brochure entitled "Wayne Dalton 'Quantum+ Plus' Garage Door Opener", ©Copyright 1996 Wayne-Dalton Corp.

Advertising brochure entitled "Wizard", ©1994 Wayne-Dalton Corp.

Advertising brochure entitled "All The Real Power You Need", ©1996, Wayne-Dalton Corp.

Product information file folder entitled "Build Our Quality Innovations Into Your Construction Plans", ©Copyright 1997 Wayne-Dalton Corp.

Advertising brochure entitled "Genie 912 The Single Solution", ©1994 GMI Professional Access Systems.

Advertising brochure entitled "Screwing up has its advantages. The Genie BlueMax Screw Drive from GMI.", ©1994 GMI.

Advertising brochure entitled "It take a smooth operator to convince your customers. Genie Pro Screw Drive Garage Door Operators", ©1994 GMI.

Point Of Purchase Materials Order Form entitled "GMI Garage Door Operators", ©1994, The Genie Company.

Advertising brochure entitled "Let's put our heads together.", ©1994 GMI.

Advertising brochure entitled "How To Make A Garage Door Opener Even Better", ©1994, GMI.

Advertising brochure entitled "Promax Stealth Ultra-Quiet DC Drive Belt & Chain Drive Garage Door Openers", ©1994, GMI.

Advertising brochure entitled "Genie Bluemax Deluxe Screw Drive Garage Door Openers", ©1994, GMI.

Advertising brochure entitled "Genie Pro Screw Drive Garage Door Opening System", ©1994, GMI.

Advertising brochure entitled "We're beginning a silent revolution. Promax Stealth Belt & Chain Drive Garage Door Operators", ©1994 GMI.

Primary Examiner—Adir Aronovich

Attorney, Agent, or Firm—Renner, Kenner, Greive, Bobak, Taylor & Weber

[57] **CLAIM**

The ornamental design for a transmitter for garage door operator, as shown and described.

DESCRIPTION

FIG. 1 is a top, left side, right end perspective view of a transmitter for garage door operator showing our new design;

FIG. 2 is a top plan view thereof;

FIG. 3 is a bottom plan view thereof;

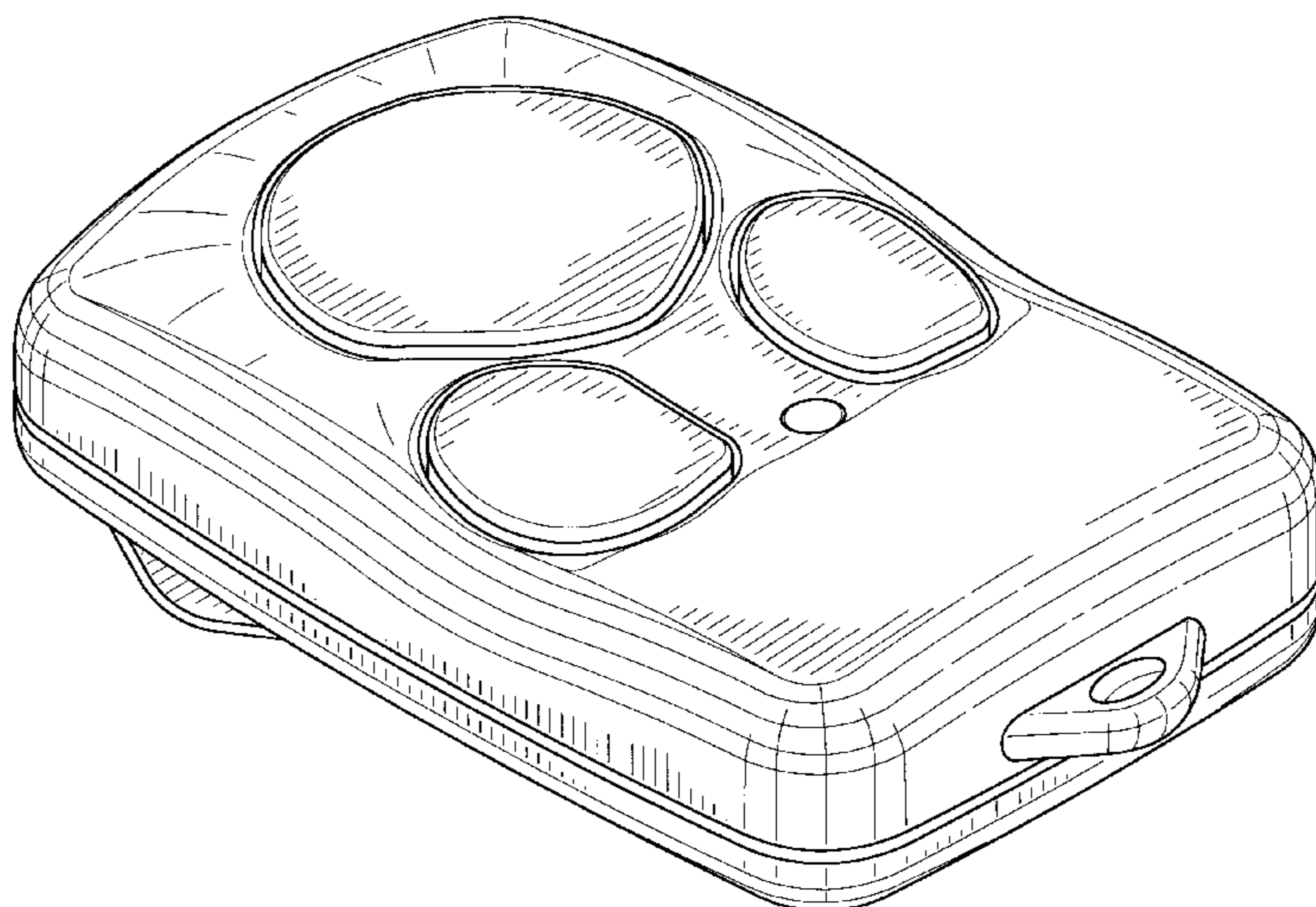
FIG. 4 is a left end elevational view thereof;

FIG. 5 is a right end elevational view thereof;

FIG. 6 is a left side elevational view thereof; and,

FIG. 7 is a right side elevational view thereof.

1 Claim, 4 Drawing Sheets



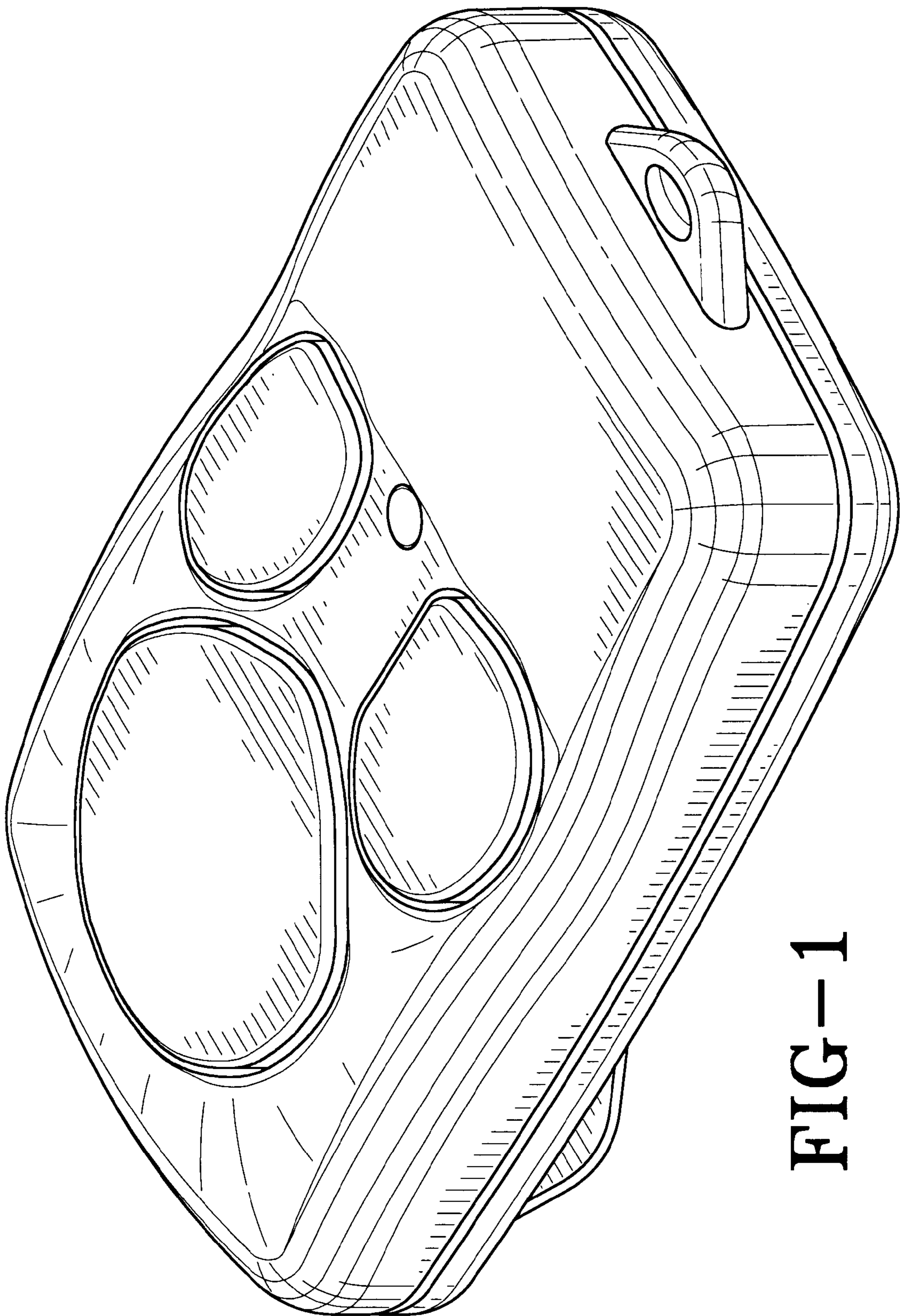


FIG-1

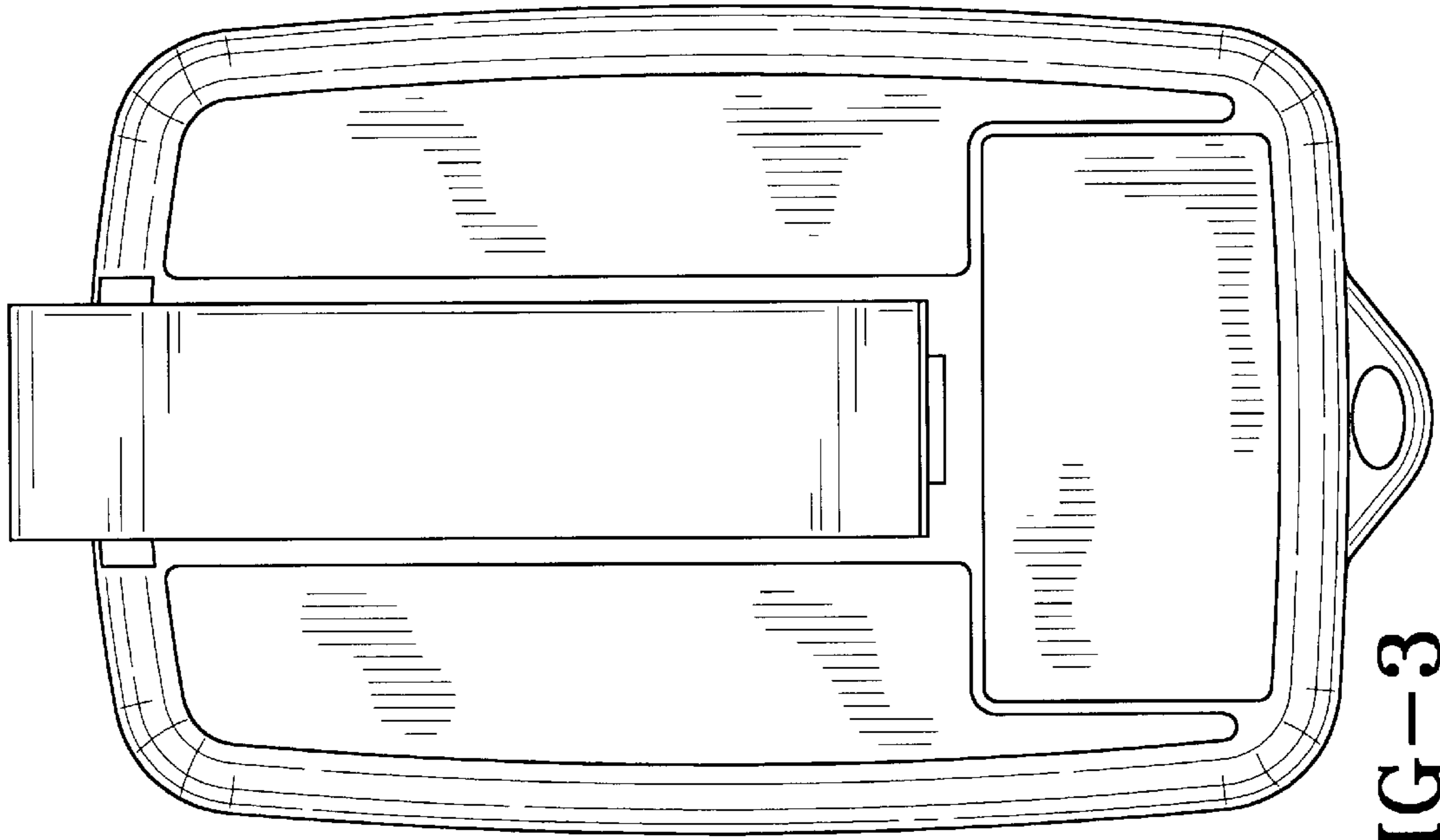


FIG-3

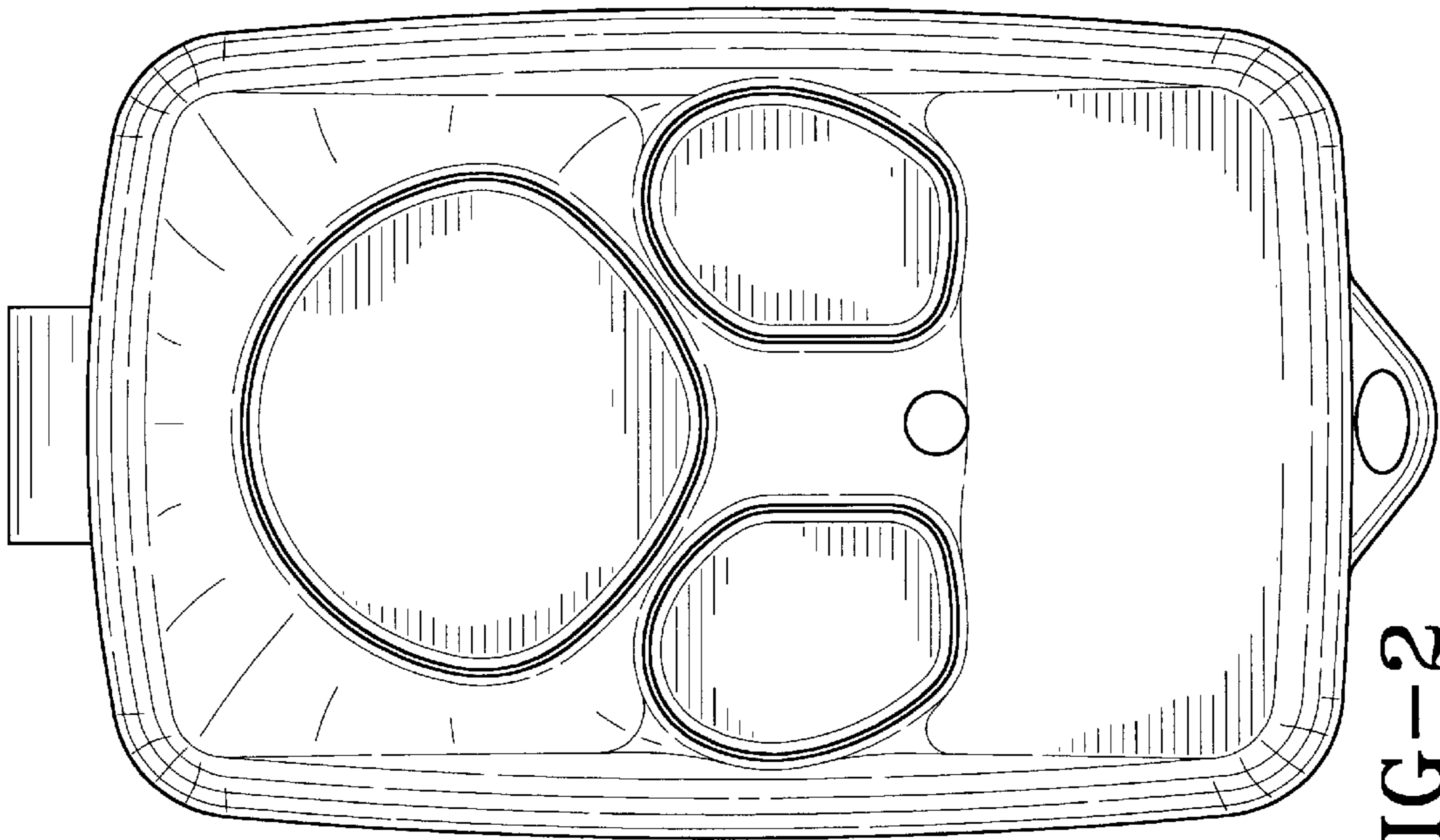


FIG-2

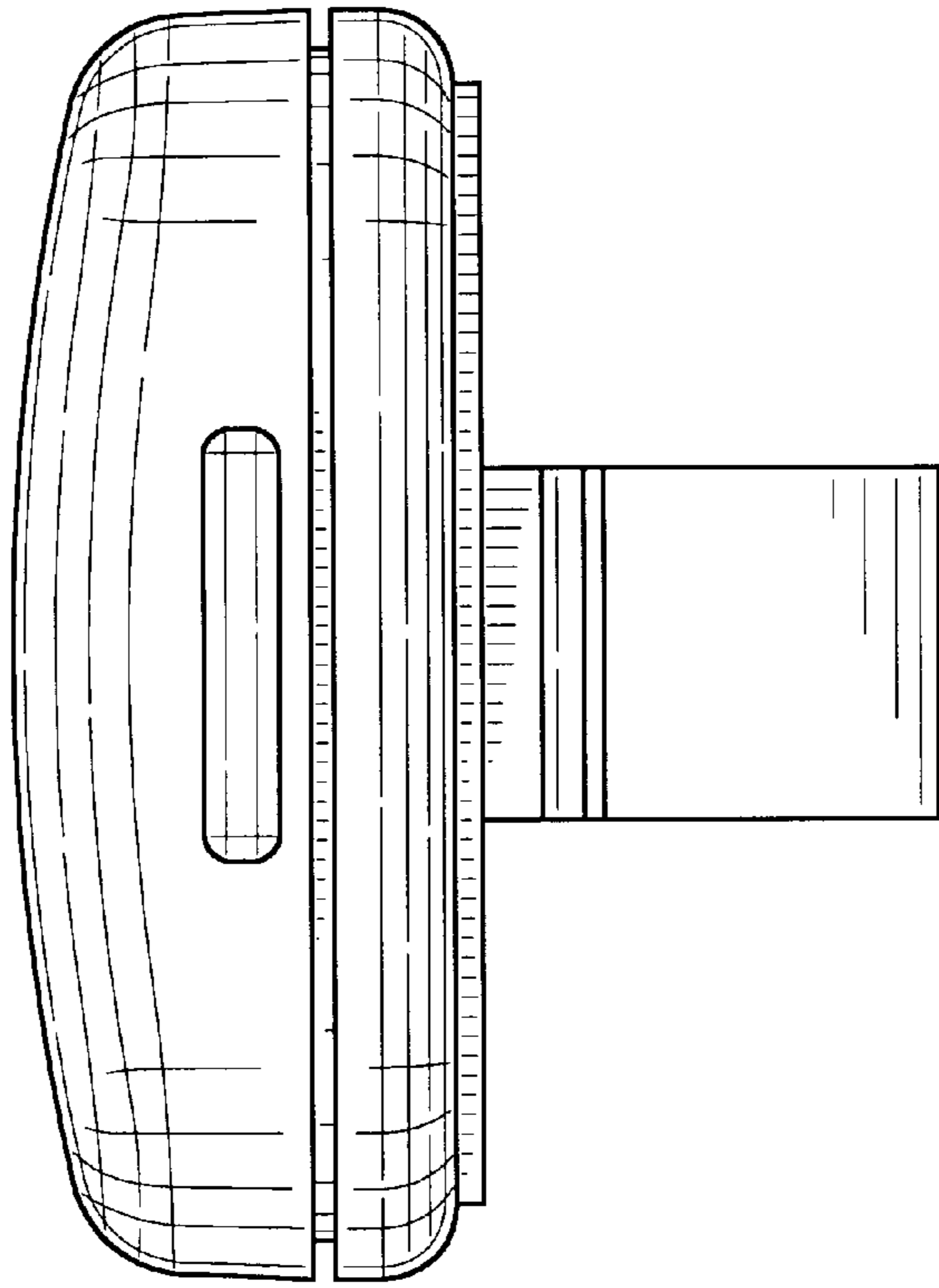


FIG-5

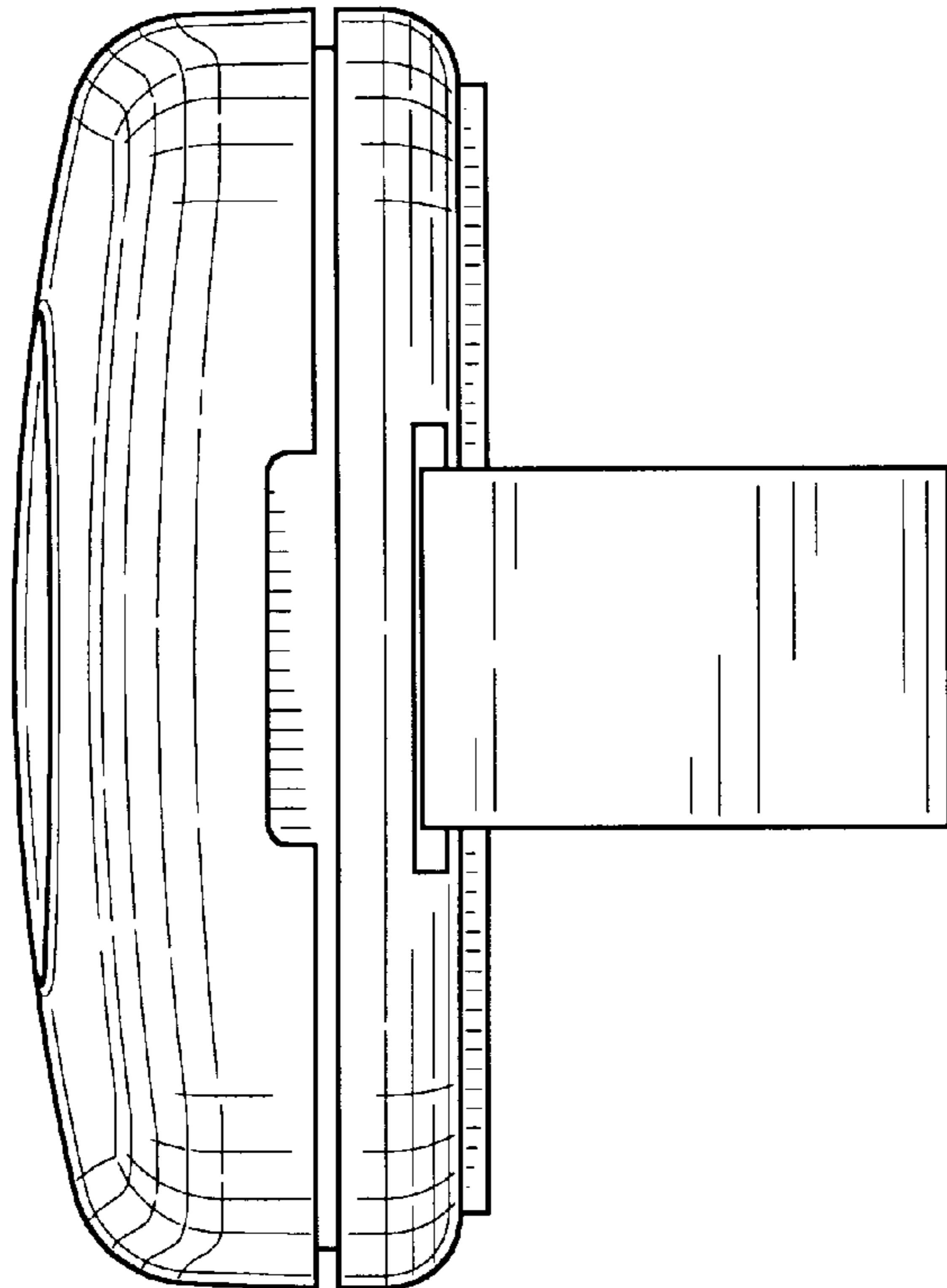


FIG-4

FIG-6

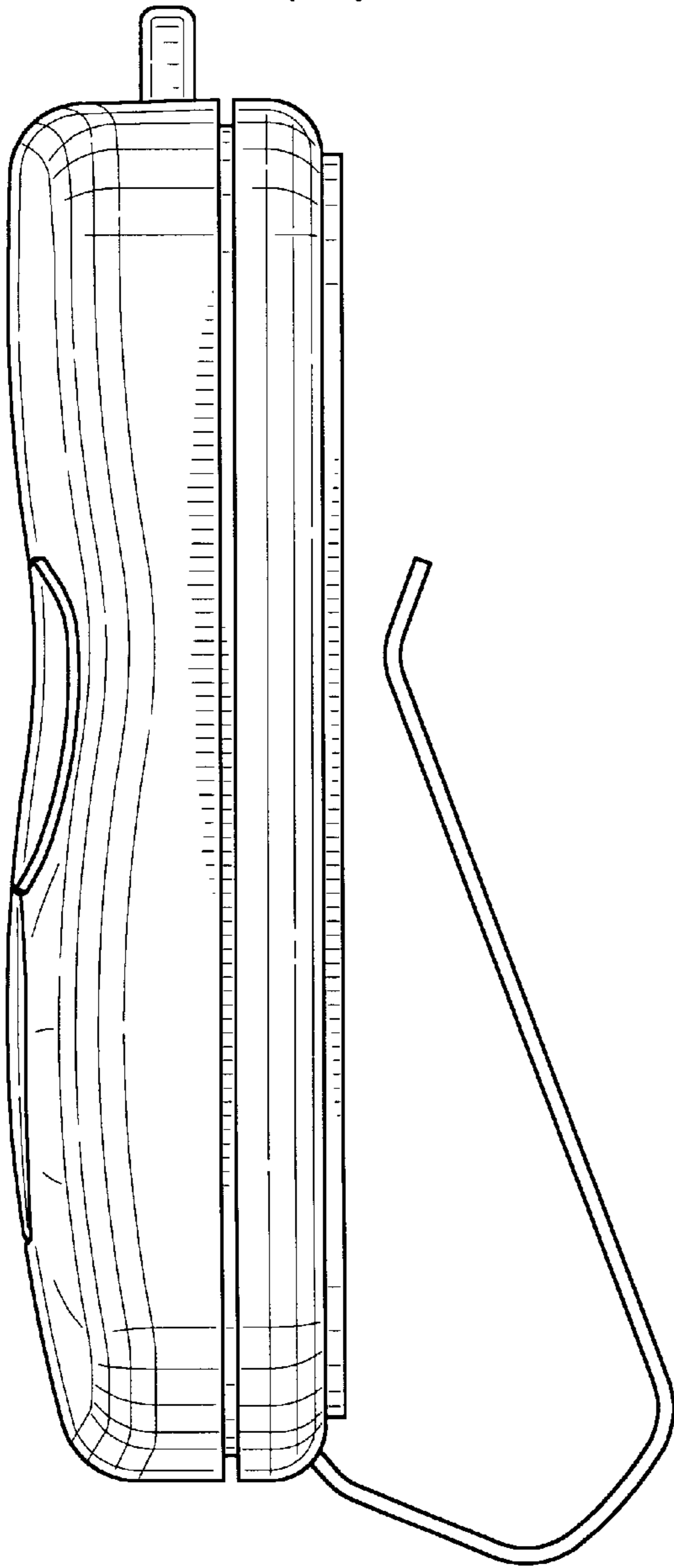


FIG-7

