



US00D413574S

United States Patent [19] Goto

[11] **Patent Number: Des. 413,574**

[45] **Date of Patent: ** Sep. 7, 1999**

[54] **CONNECTOR**

[75] Inventor: **Teiyu Goto**, Tokyo, Japan

[73] Assignee: **Sony Corporation**, Tokyo, Japan

[**] Term: **14 Years**

[21] Appl. No.: **29/086,465**

[22] Filed: **Apr. 14, 1998**

[30] **Foreign Application Priority Data**

Oct. 14, 1997 [JP] Japan 9-71376

[51] **LOC (6) Cl.** **13-03**

[52] **U.S. Cl.** **D13/146**

[58] **Field of Search** D13/146, 147;
361/681, 686, 725; 364/708.1

[56] **References Cited**

U.S. PATENT DOCUMENTS

5,030,128	7/1991	Herron et al.	361/686	X
5,117,378	5/1992	Ho	364/708.1	X
5,196,993	3/1993	Herron et al.	361/681	X
5,333,116	7/1994	Hawkins et al.	364/708.1	
5,493,542	2/1996	Odelid	364/708.1	X
5,568,359	10/1996	Cavello et al.	361/686	
5,793,606	8/1998	Cubbage et al.	361/681	
5,796,579	8/1998	Nakajima et al.	361/686	X

Primary Examiner—Joel Sincavage
Attorney, Agent, or Firm—Foley & Lardner

[57] **CLAIM**

The ornamental design for a connector, as shown and described.

DESCRIPTION

FIG. 1 is a perspective view of a first embodiment of a connector showing my new design;
 FIG. 2 is a top plan view thereof;
 FIG. 3 is a left side elevational view thereof;
 FIG. 4 is a front elevational view thereof;
 FIG. 5 is a bottom plan view thereof;
 FIG. 6 is a right side elevational view thereof;
 FIG. 7 is a rear elevational view thereof;
 FIG. 8 is a perspective view of a second embodiment of a connector showing my new design;
 FIG. 9 is a top plan view thereof;
 FIG. 10 is a left side elevational view thereof;
 FIG. 11 is a front elevational view thereof;
 FIG. 12 is a bottom plan view thereof;
 FIG. 13 is a right side elevational view thereof; and,
 FIG. 14 is a rear elevational view thereof.

The portion in broken lines in FIGS. 1–14 is for illustrative purpose only and forms no part of claimed design.

1 Claim, 6 Drawing Sheets

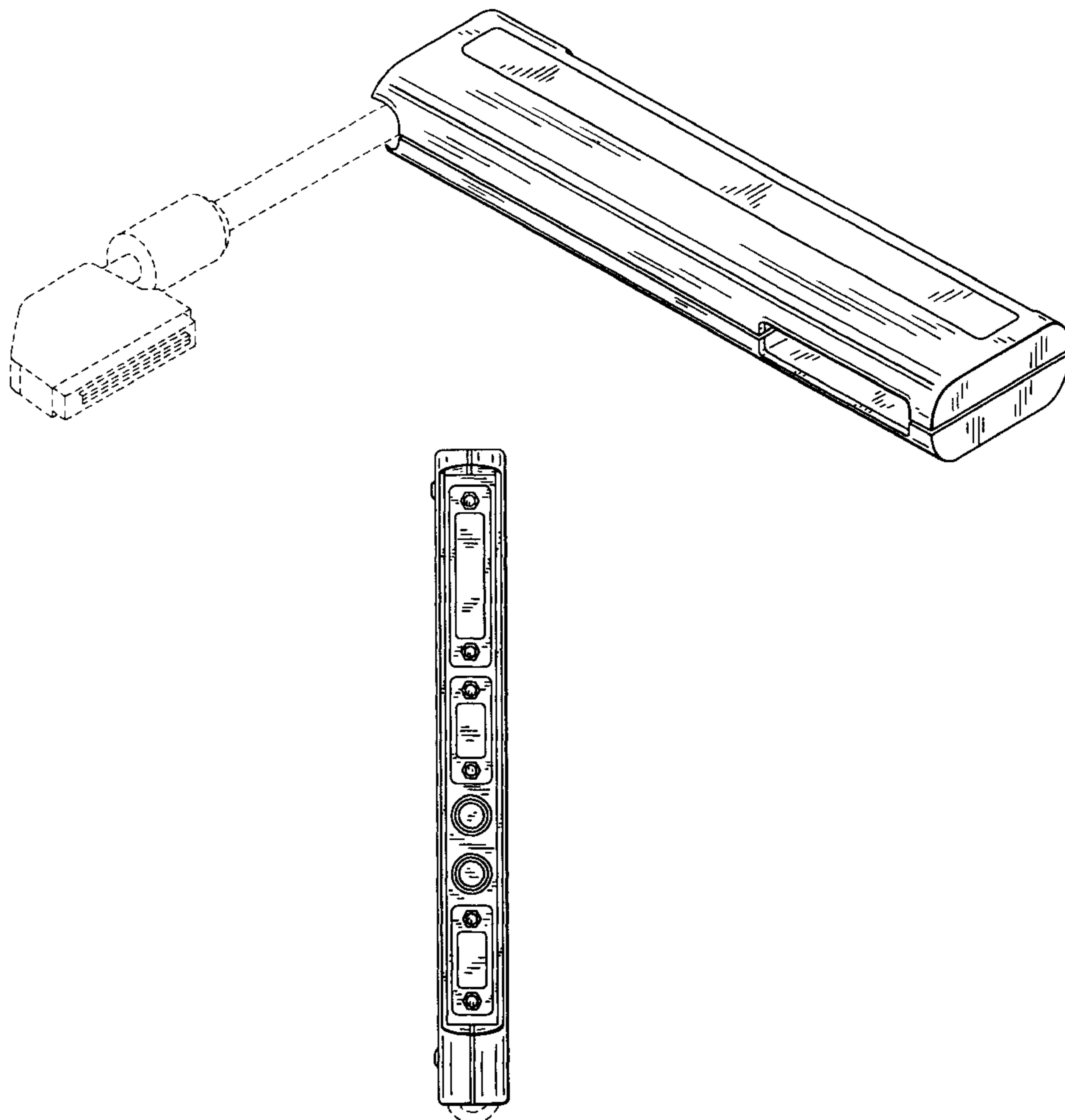


FIG. 1

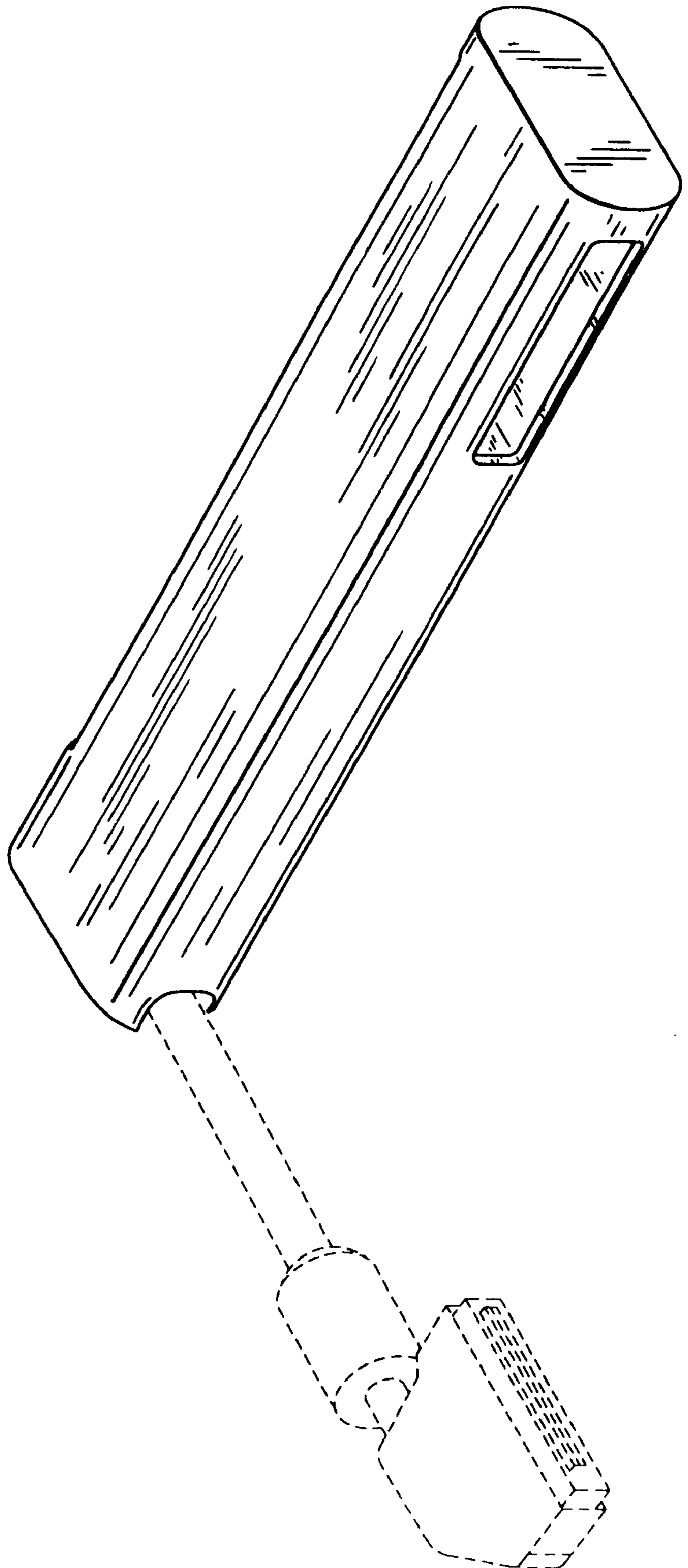


FIG.2

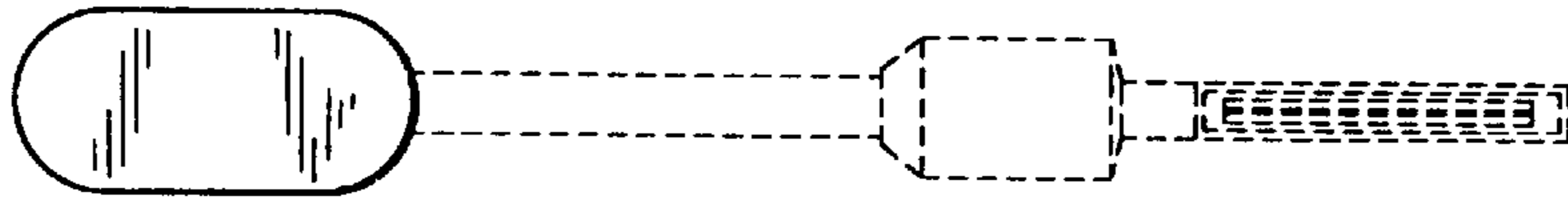


FIG.4

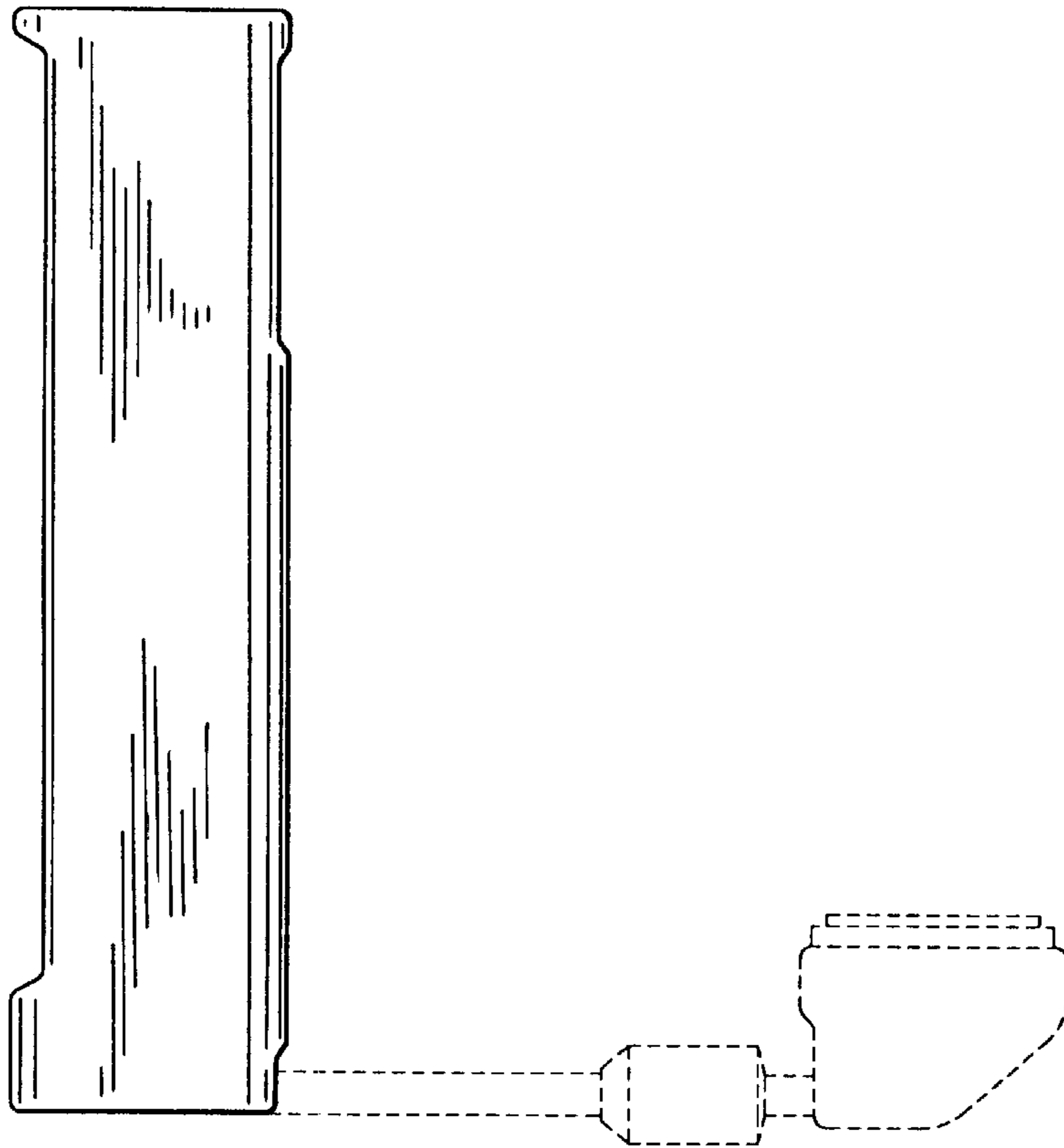


FIG.5

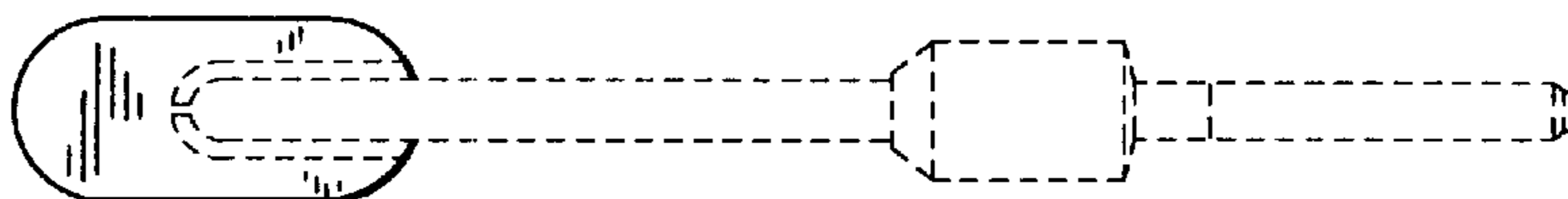


FIG. 7

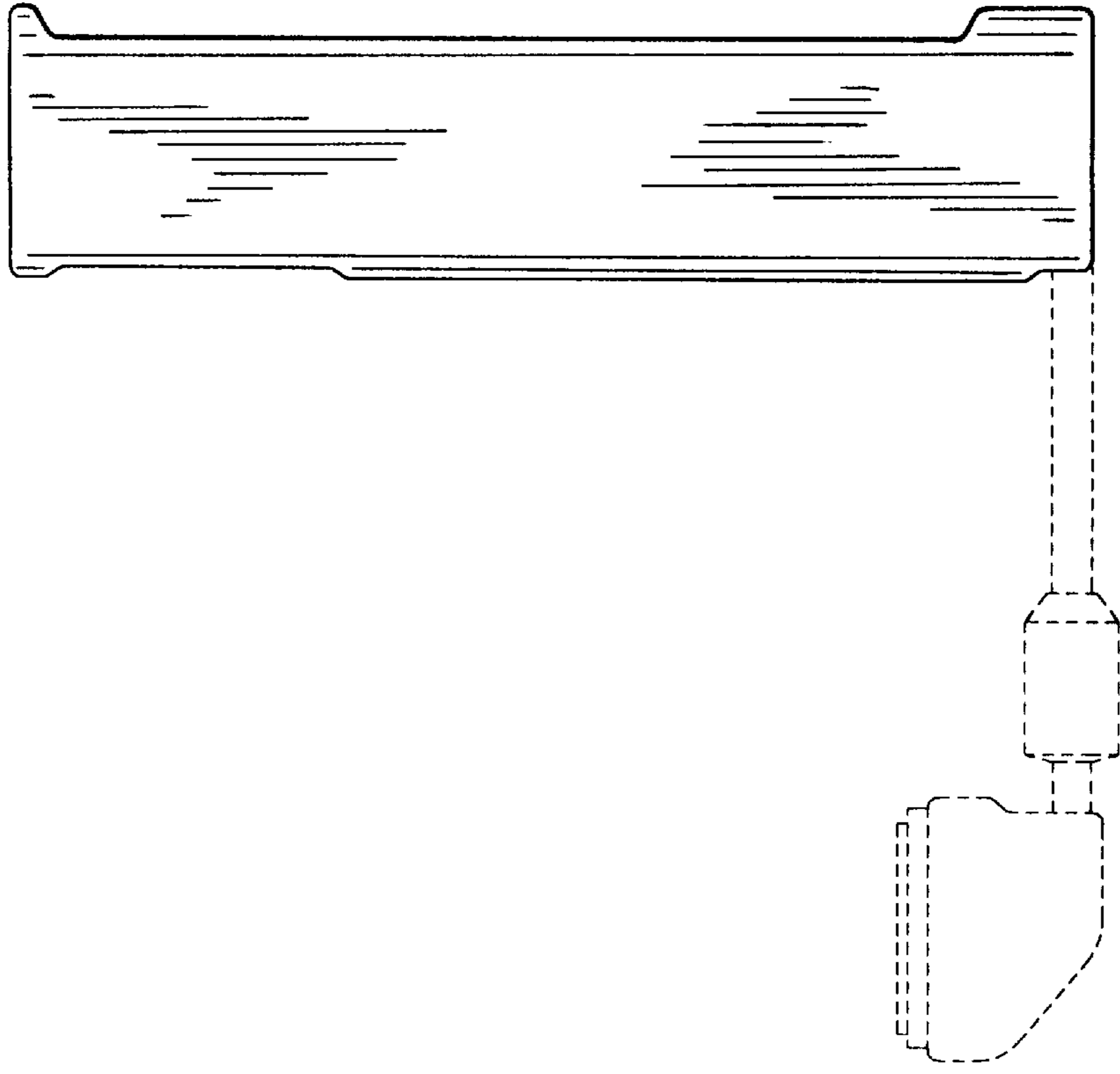


FIG. 6

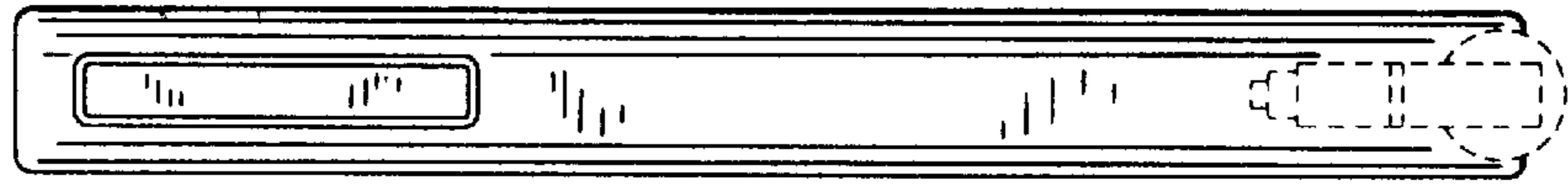


FIG. 3



FIG. 8

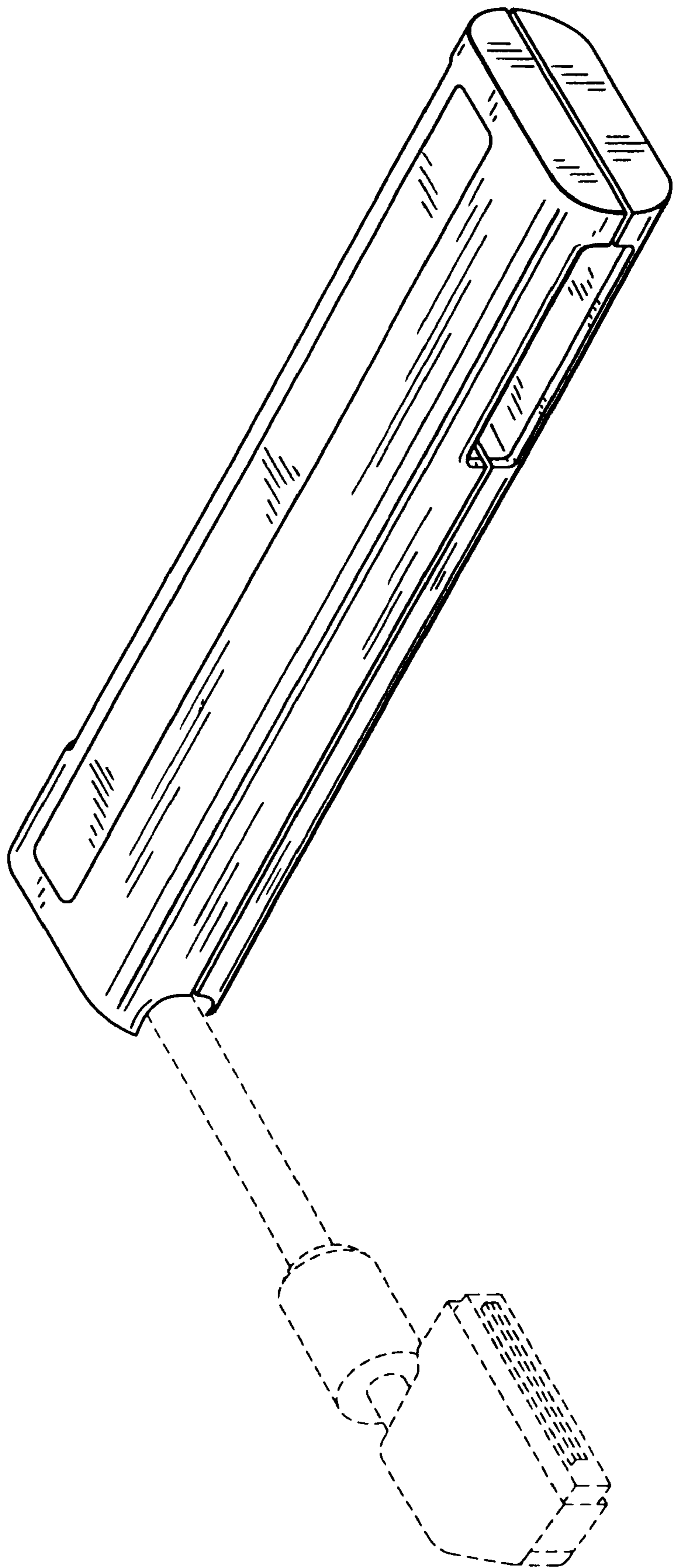


FIG.9

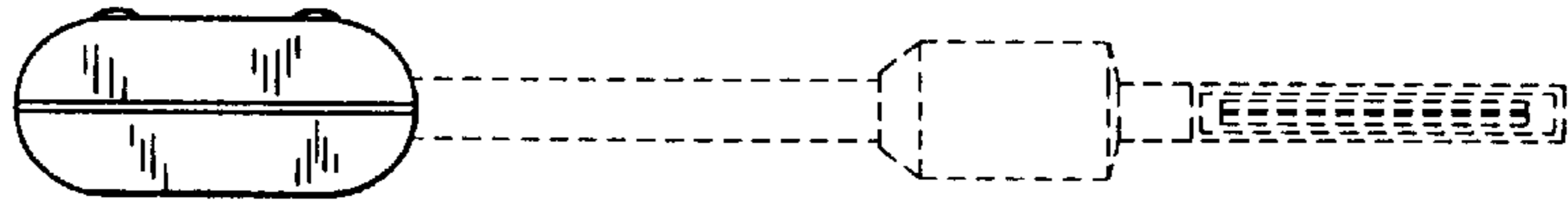


FIG.11

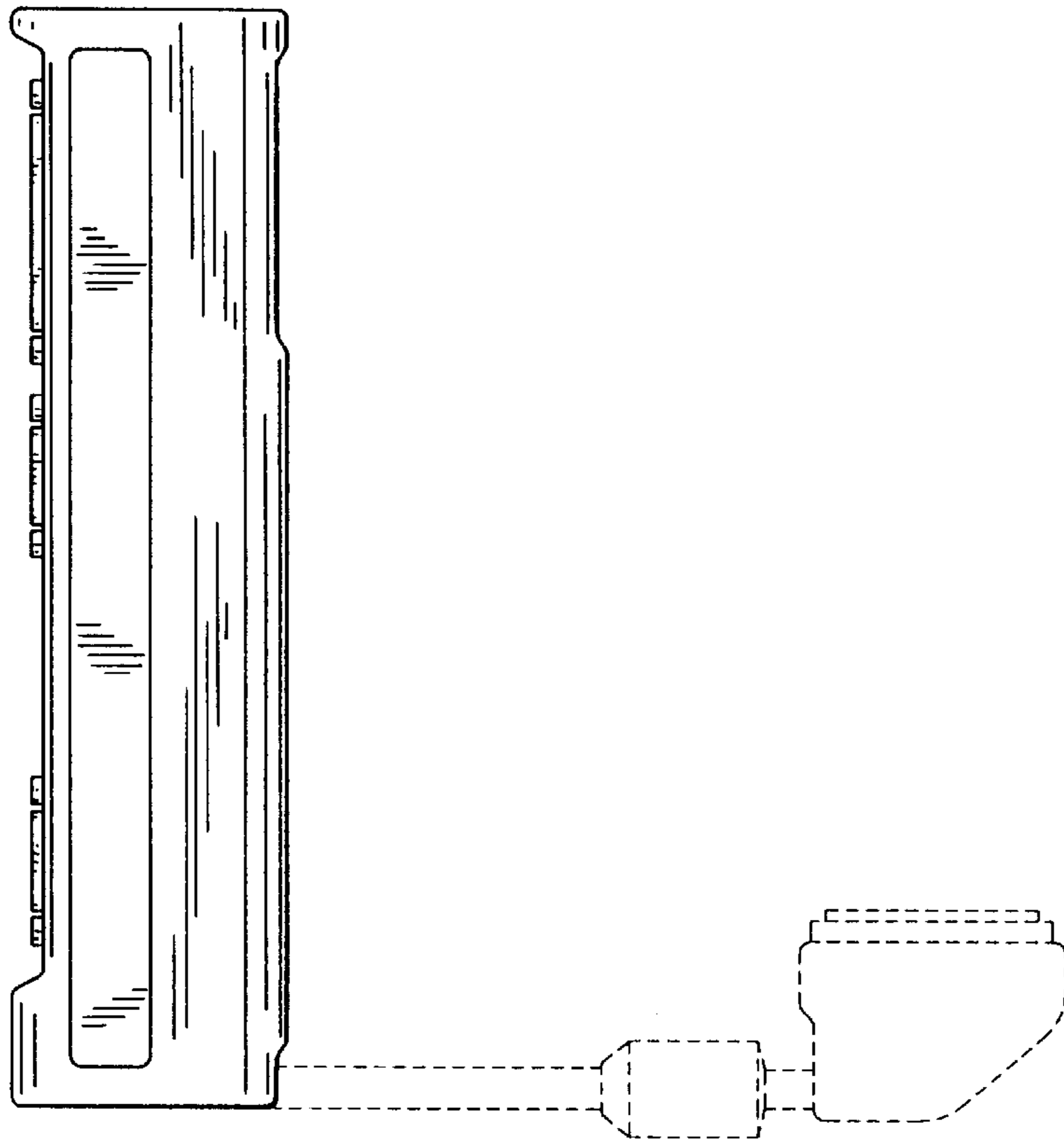


FIG.12

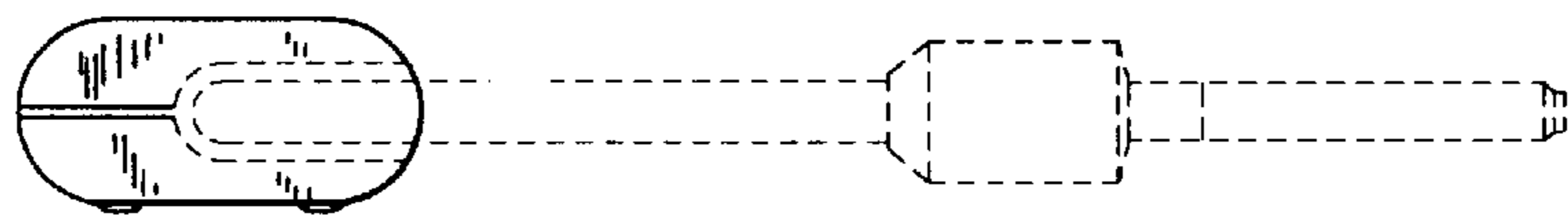


FIG.14

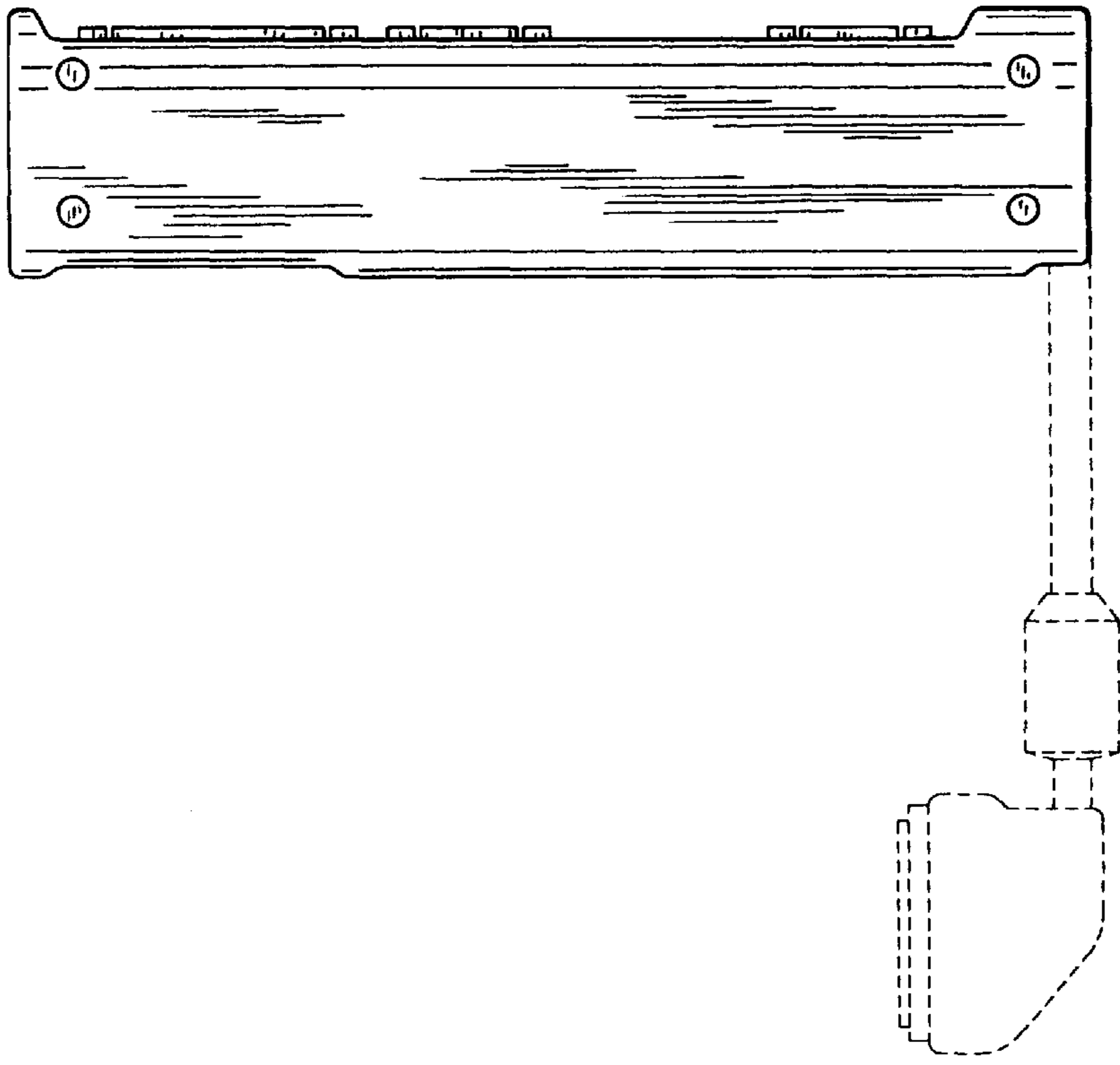


FIG.13

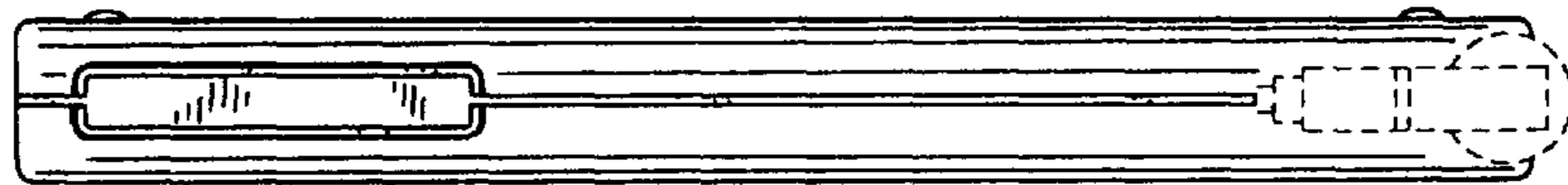


FIG.10

