



US00D413572S

United States Patent [19]

Byrd et al.

[11] Patent Number: **Des. 413,572**

[45] Date of Patent: **** Sep. 7, 1999**

[54] TERMINAL BLOCK

[75] Inventors: **Timothy J. Byrd**, Goffstown, N.H.;
Robert A. Orlando, North Andover,
Mass.

[73] Assignee: **Schneider Automation Inc.**, North
Andover, Mass.

[**] Term: **14 Years**

[21] Appl. No.: **29/084,743**

[22] Filed: **Mar. 9, 1998**

[51] LOC (6) Cl. **13-03**

[52] U.S. Cl. **D13/146**

[58] Field of Search D13/146, 184,
D13/199; D14/240; 439/540.1, 535, 638,
639, 653, 676; 361/690, 730, 752, 796,
823, 824

[56] References Cited

U.S. PATENT DOCUMENTS

D. 392,645	3/1998	Wakabayashi	D14/240
4,603,930	8/1986	Ito	361/730
5,594,625	1/1997	Sanpei et al.	361/755
5,841,639	11/1998	Schnoor et al.	361/796

FOREIGN PATENT DOCUMENTS

44 10 171 C1 4/1995 Germany .
196 15 093
A1 10/1997 Germany .

OTHER PUBLICATIONS

Color photograph of prior art Terminal Block (5 photographs
3 sheets).

Primary Examiner—Joel Sincavage
Attorney, Agent, or Firm—Michael J. Femal; Larry I.
Golden

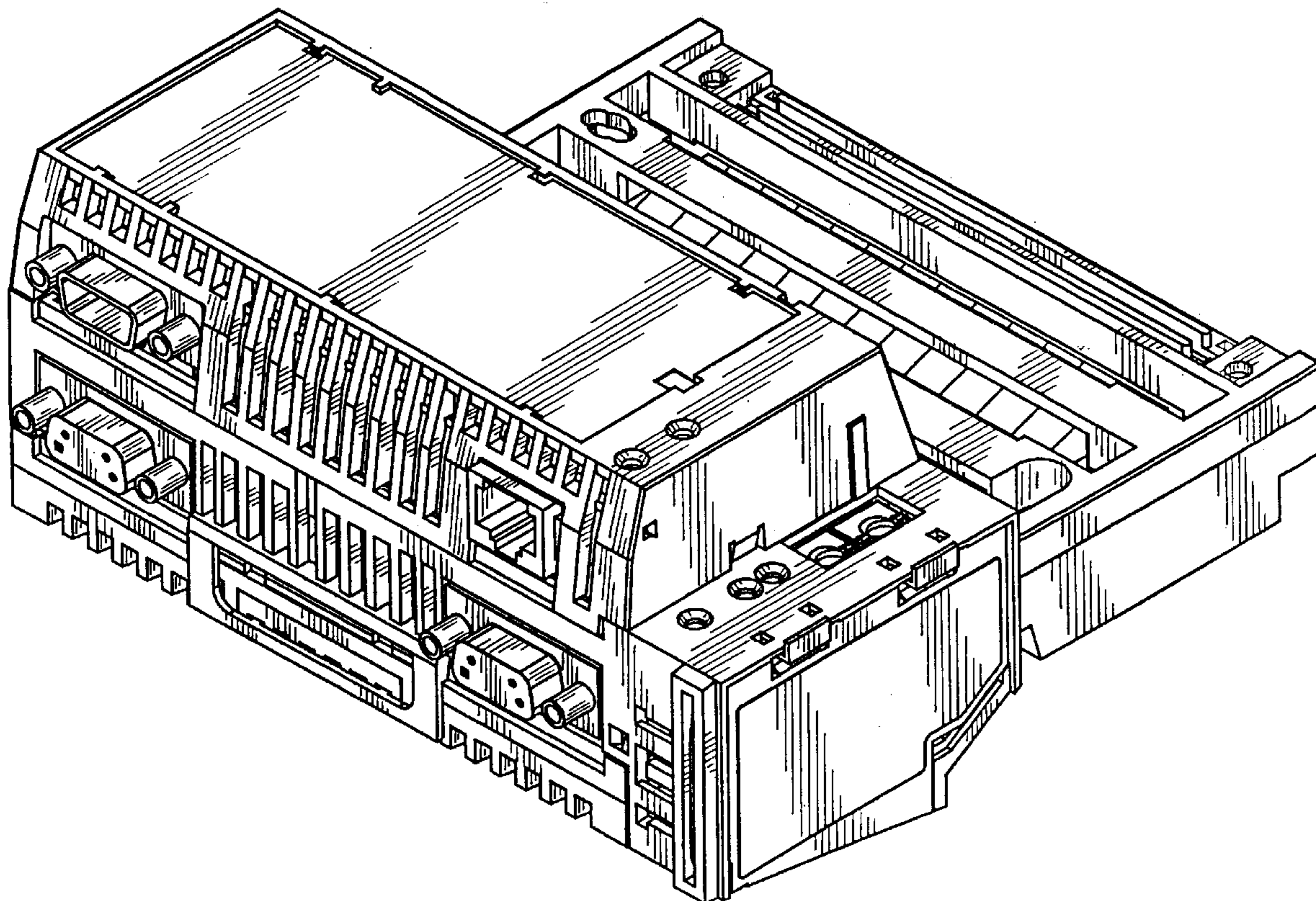
[57] CLAIM

We claim the ornamental design for a “terminal block”, as
shown and described.

DESCRIPTION

FIG. 1 is a perspective view of a terminal block according
to the invention;
FIG. 2 is a right side view of the terminal block of FIG. 1;
FIG. 3 is a left side view of the terminal block of FIG. 1;
FIG. 4 is a front view of the terminal block of FIG. 1;
FIG. 5 is a rear view of the terminal block of FIG. 1;
FIG. 6 is a top view of the terminal block of FIG. 1; and,
FIG. 7 is a bottom view of the terminal block of FIG. 1.

1 Claim, 5 Drawing Sheets



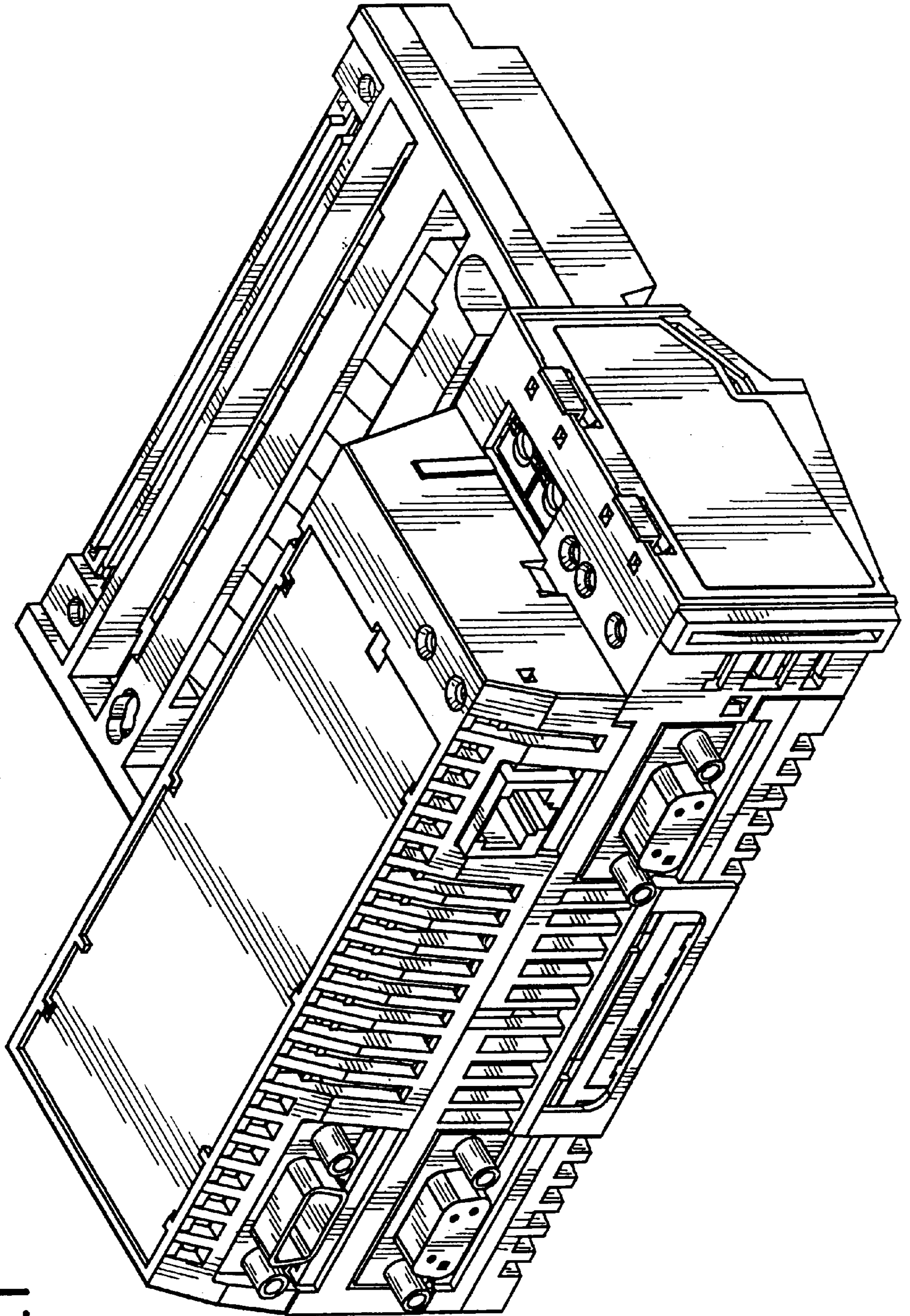


FIG. 1

FIG. 2

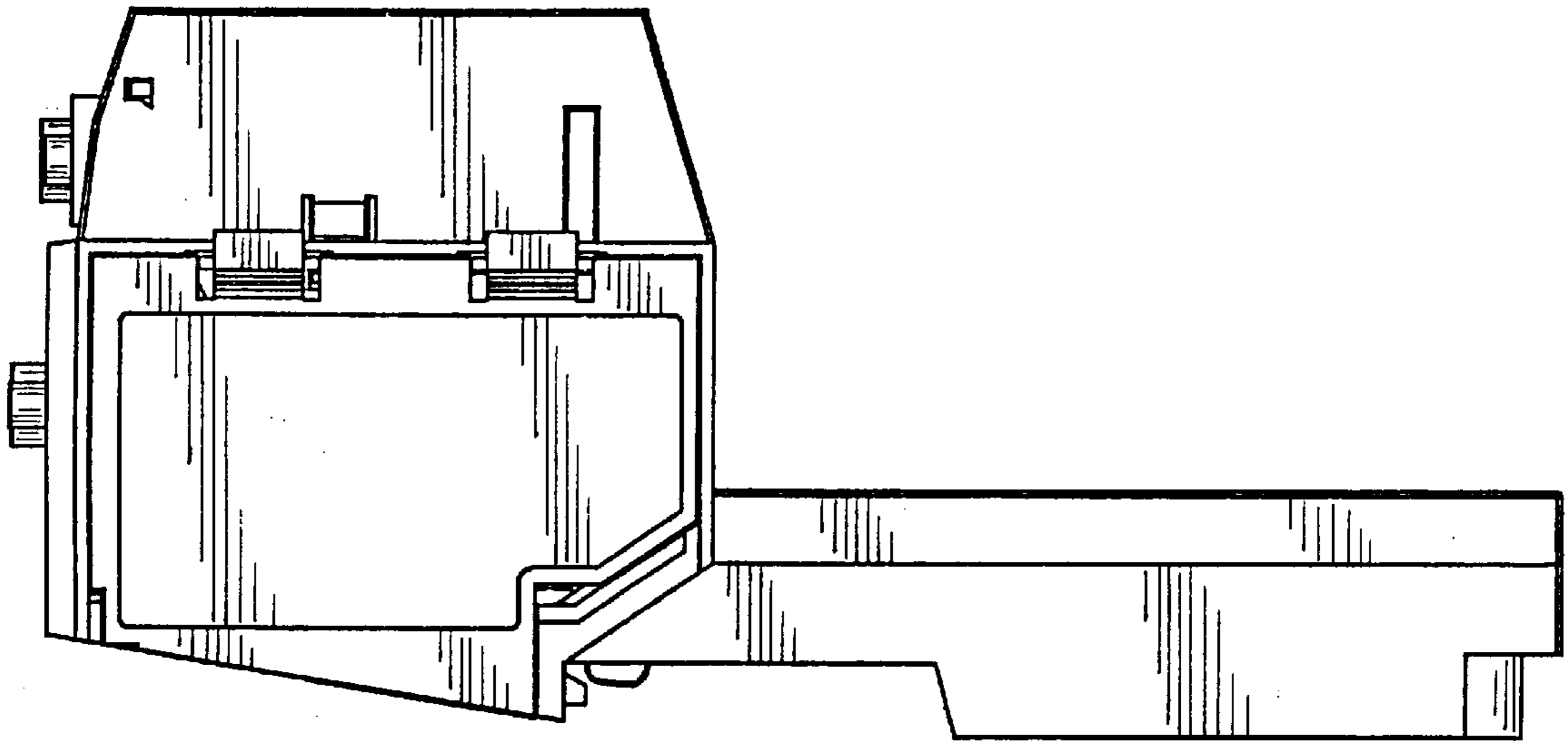


FIG. 3

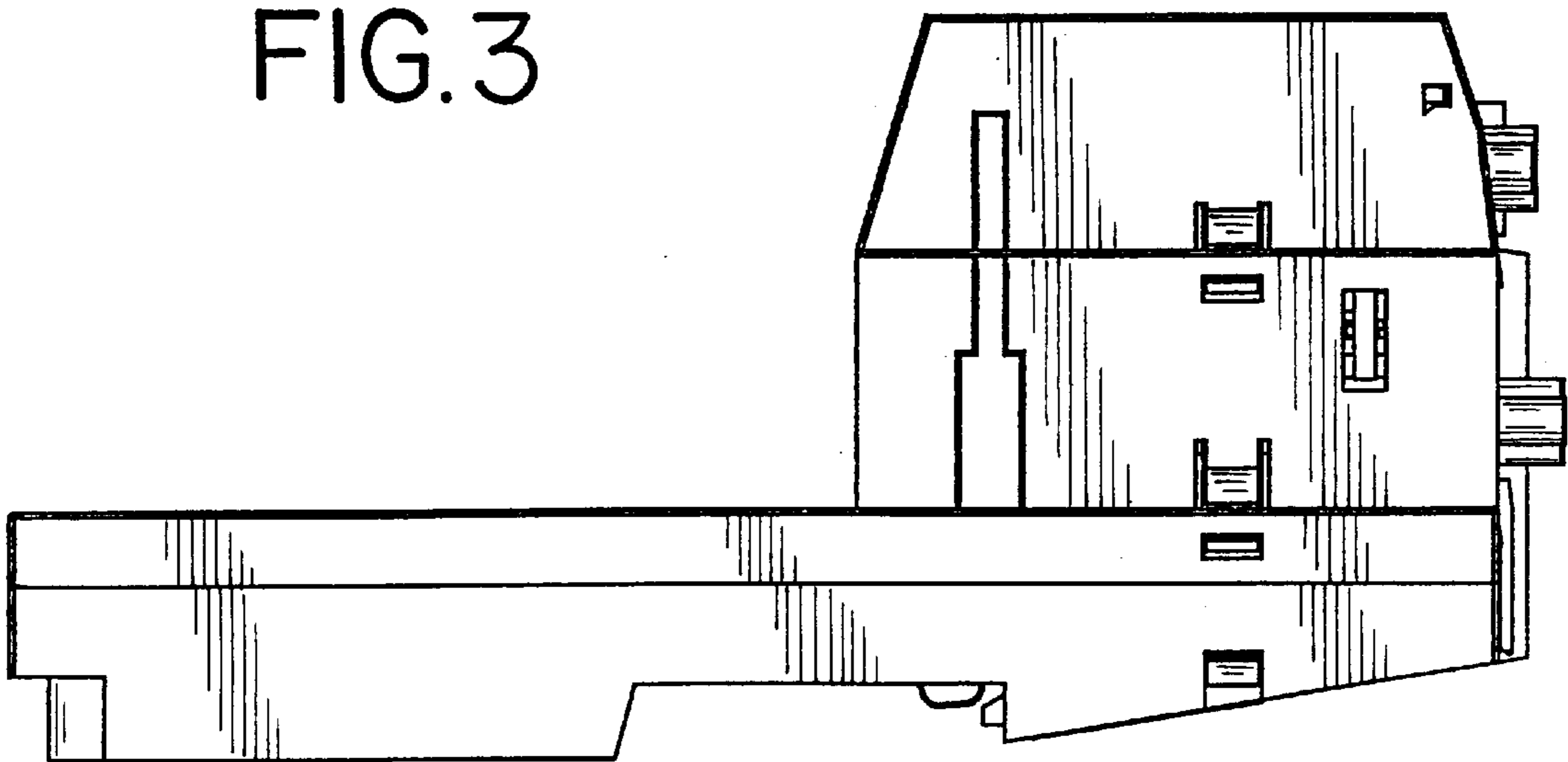


FIG. 4

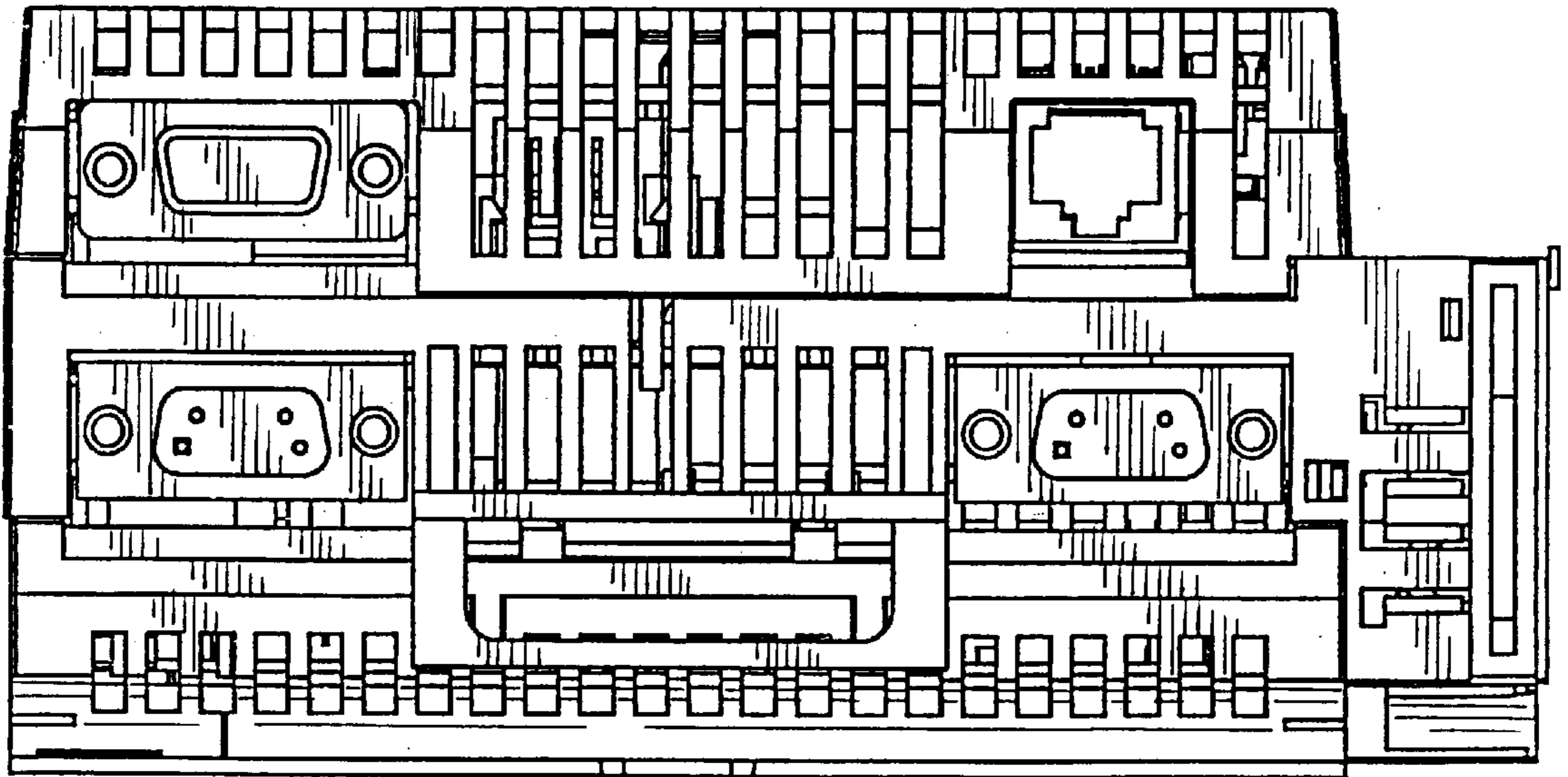


FIG. 5

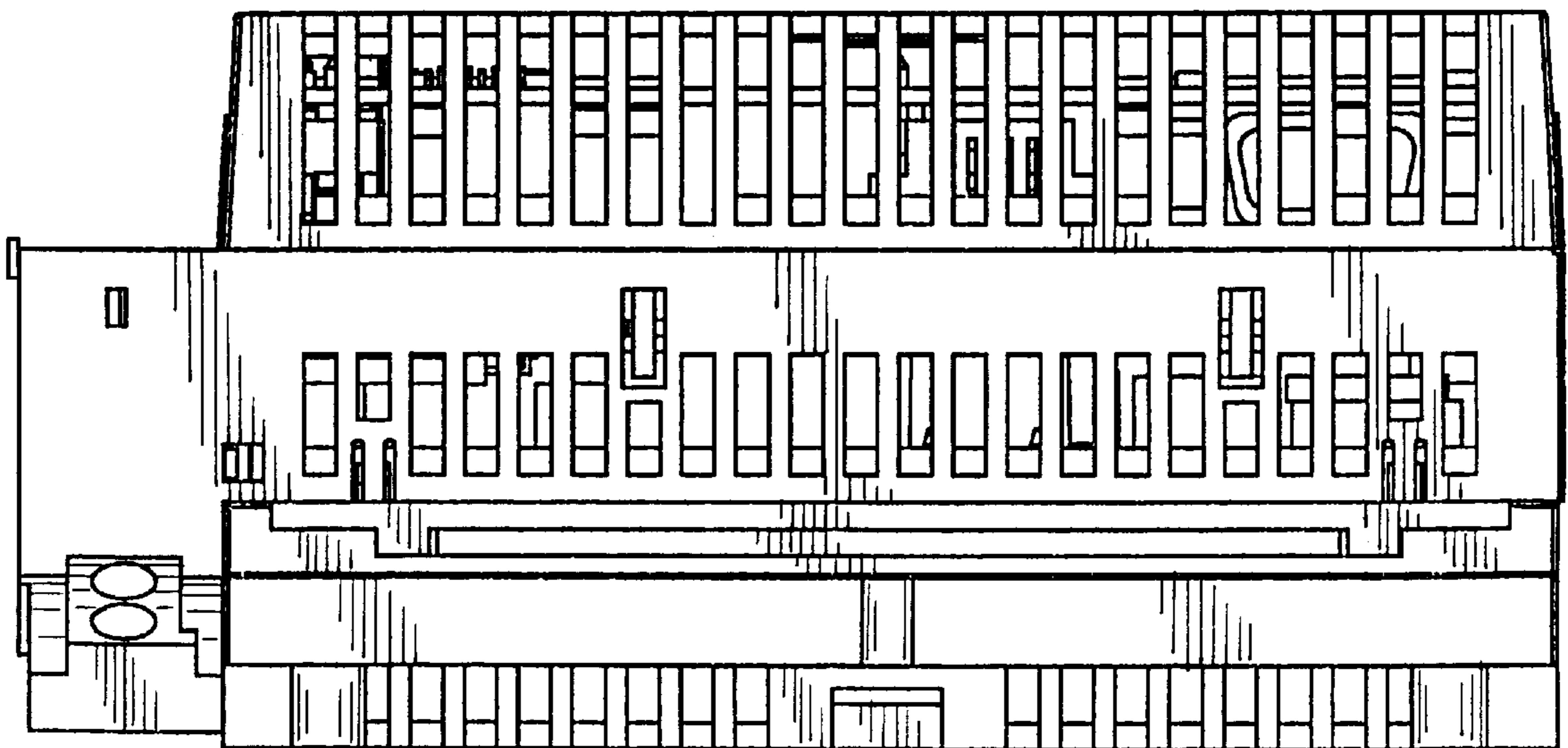


FIG. 6

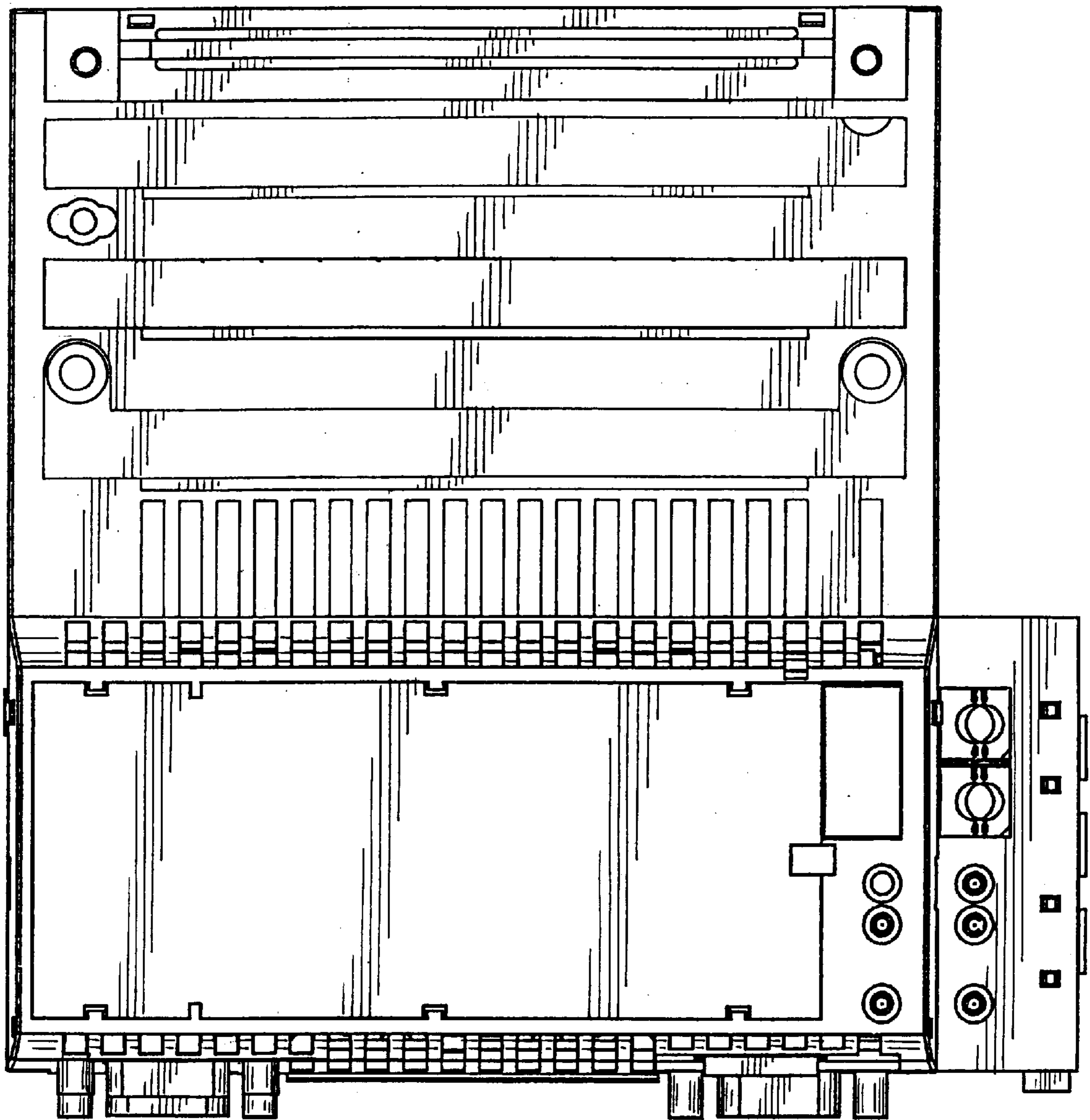


FIG. 7

