



US00D413571S

# United States Patent [19] Glass

[11] **Patent Number: Des. 413,571**

[45] **Date of Patent: \*\* Sep. 7, 1999**

[54] **POWER MODULE**

[75] Inventor: **Peter Glass**, Napa, Calif.

[73] Assignee: **Virco Mfg. Corporation**, Torrance, Calif.

[\*\*] Term: **14 Years**

[21] Appl. No.: **29/085,625**

[22] Filed: **Mar. 27, 1998**

[51] **LOC (6) Cl.** ..... **13-03**

[52] **U.S. Cl.** ..... **D13/139.4**

[58] **Field of Search** ..... 174/53, 54, 58,  
174/50, 48, 49, 55, 56, 57; 439/131, 535,  
541, 571, 214, 215, 540.1, 620, 622; 307/18;  
D13/139.1-139.8

[56] **References Cited**

### U.S. PATENT DOCUMENTS

D. 371,341 7/1996 Hung et al. .... D13/139

5,114,365 5/1992 Thompson et al. .... 439/540

5,122,069 6/1992 Brownlie et al. .... 439/131

5,575,668 11/1996 Timmerman .... 439/131

*Primary Examiner*—Susan J. Lucas  
*Assistant Examiner*—Jennifer Rivard  
*Attorney, Agent, or Firm*—James E. Brunton

### [57] CLAIM

The ornamental design for a power module, as shown.

### DESCRIPTION

FIG. 1 is a generally perspective view of a power module showing my new design;

FIG. 2 is a front elevational view thereof;

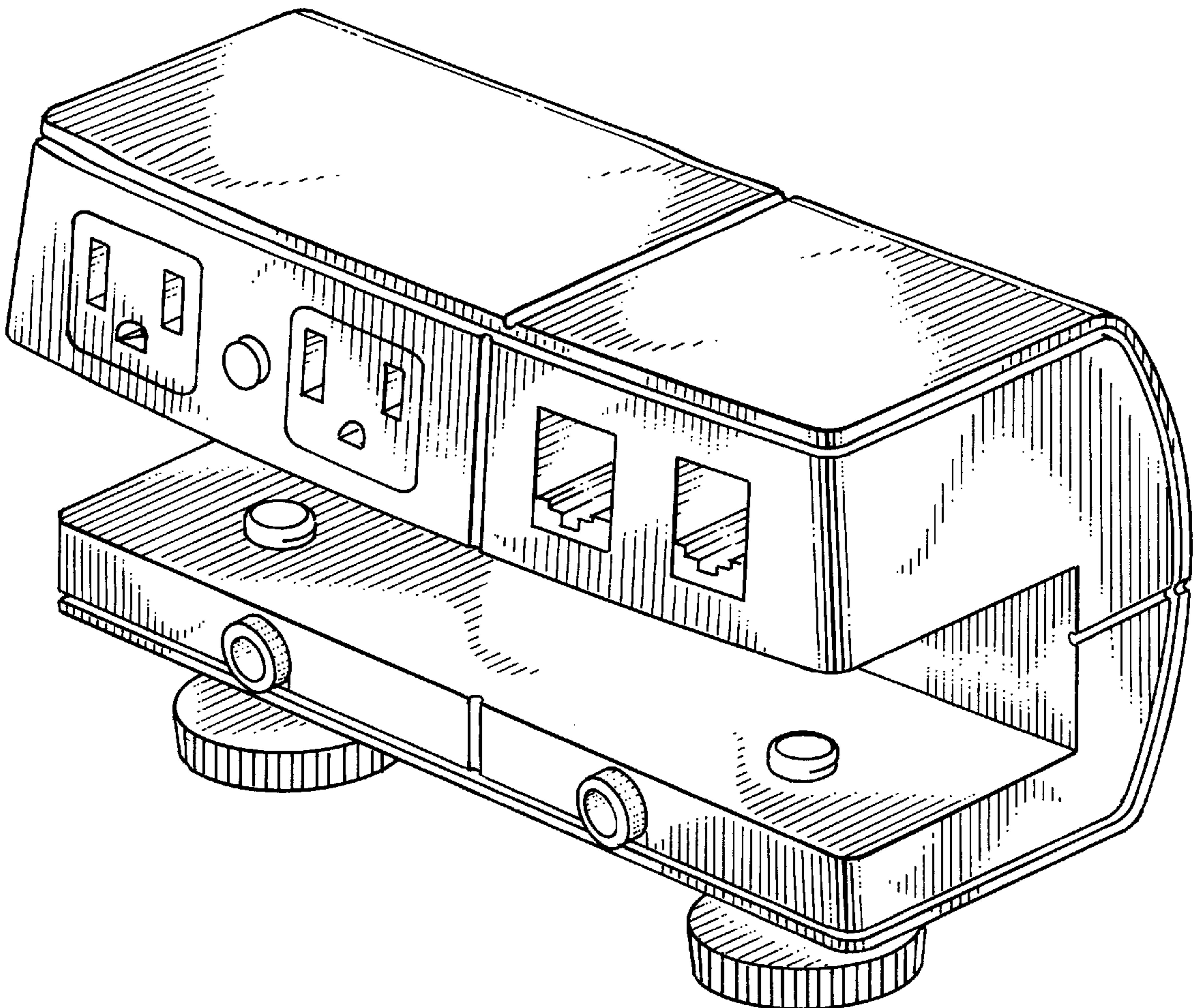
FIG. 3 is an end view thereof. The opposite end view being identical thereto;

FIG. 4 is a top plan view thereof;

FIG. 5 is a rear elevational view thereof; and,

FIG. 6 is a bottom plan view thereof.

**1 Claim, 3 Drawing Sheets**



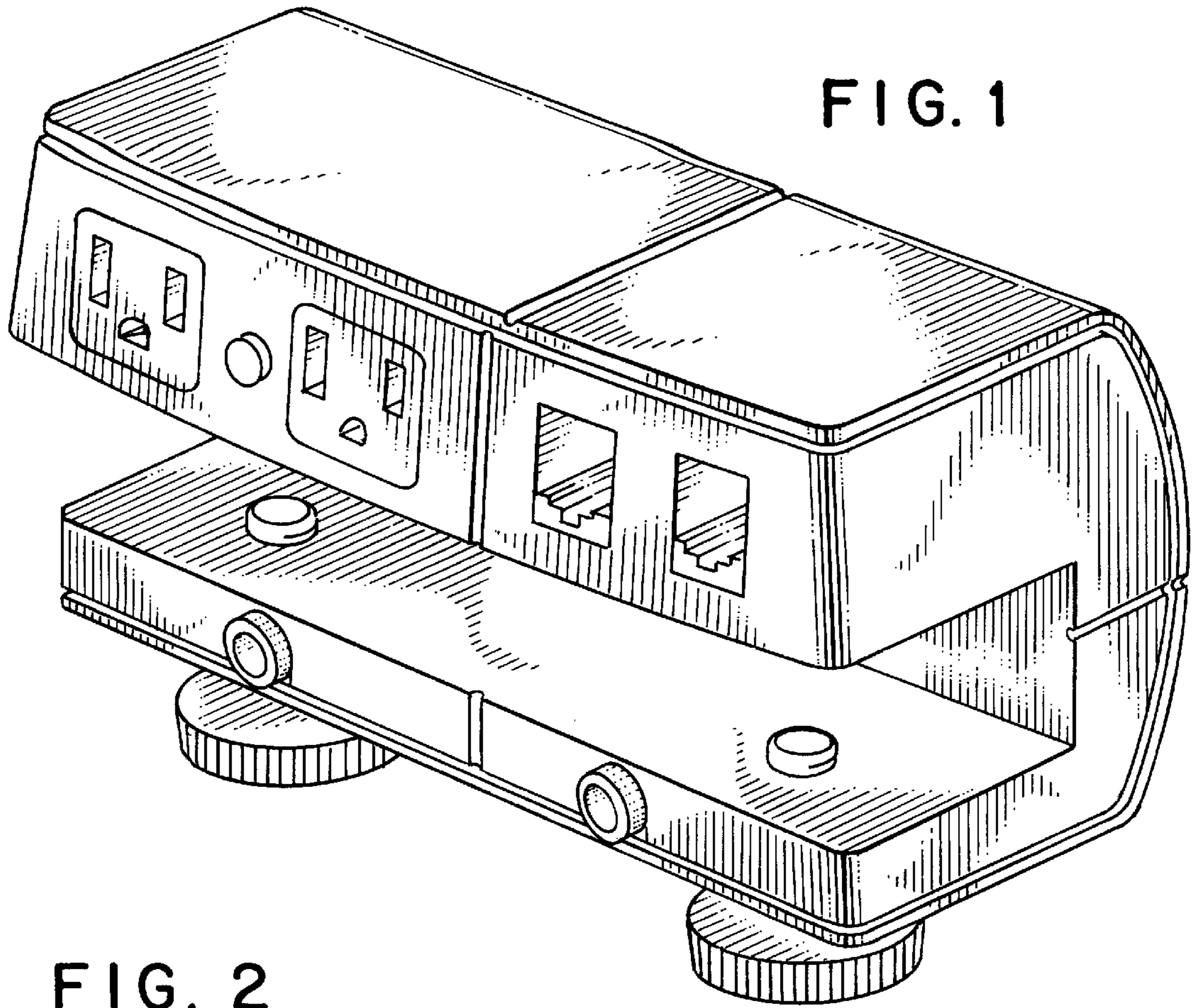
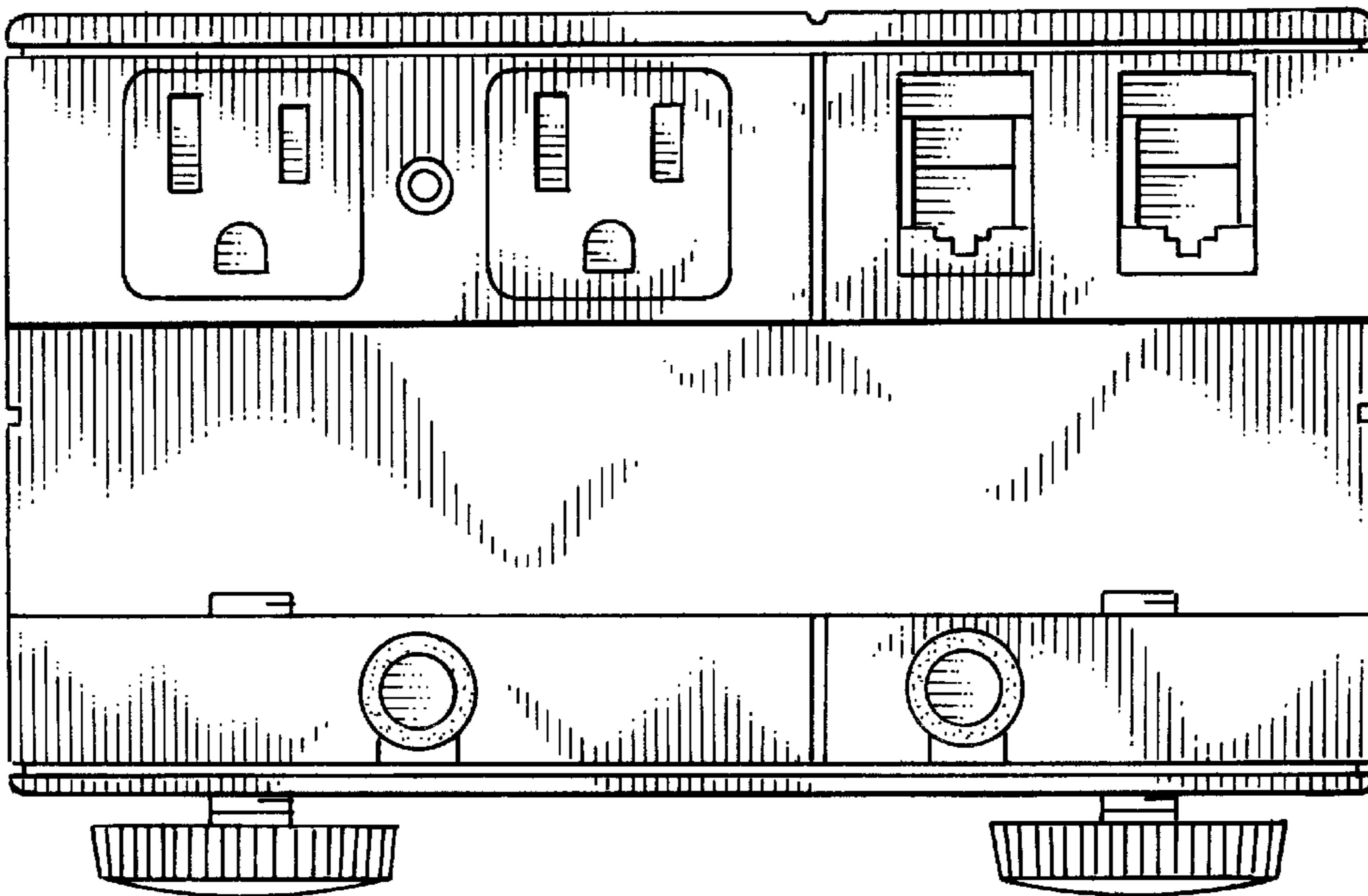


FIG. 2



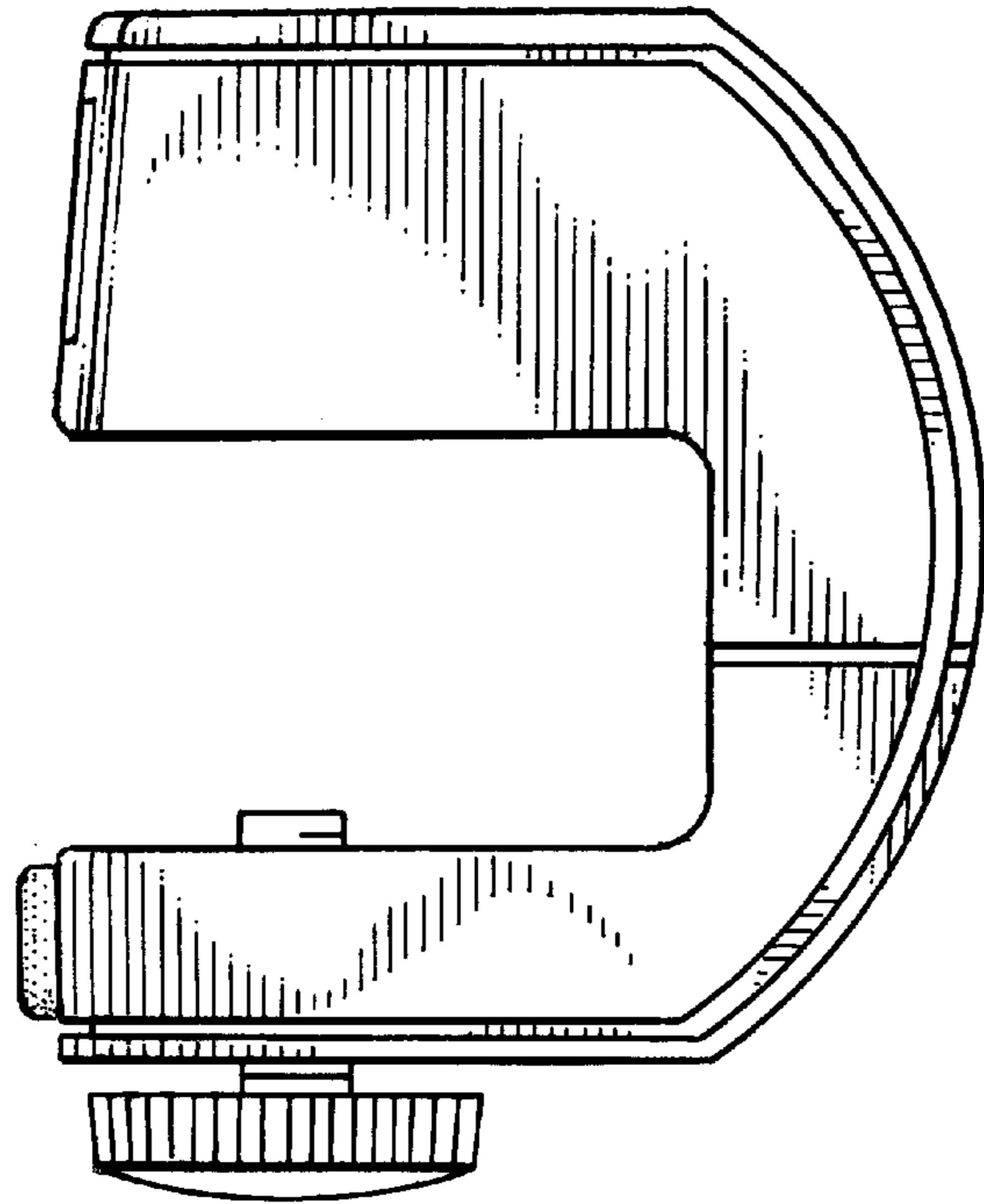
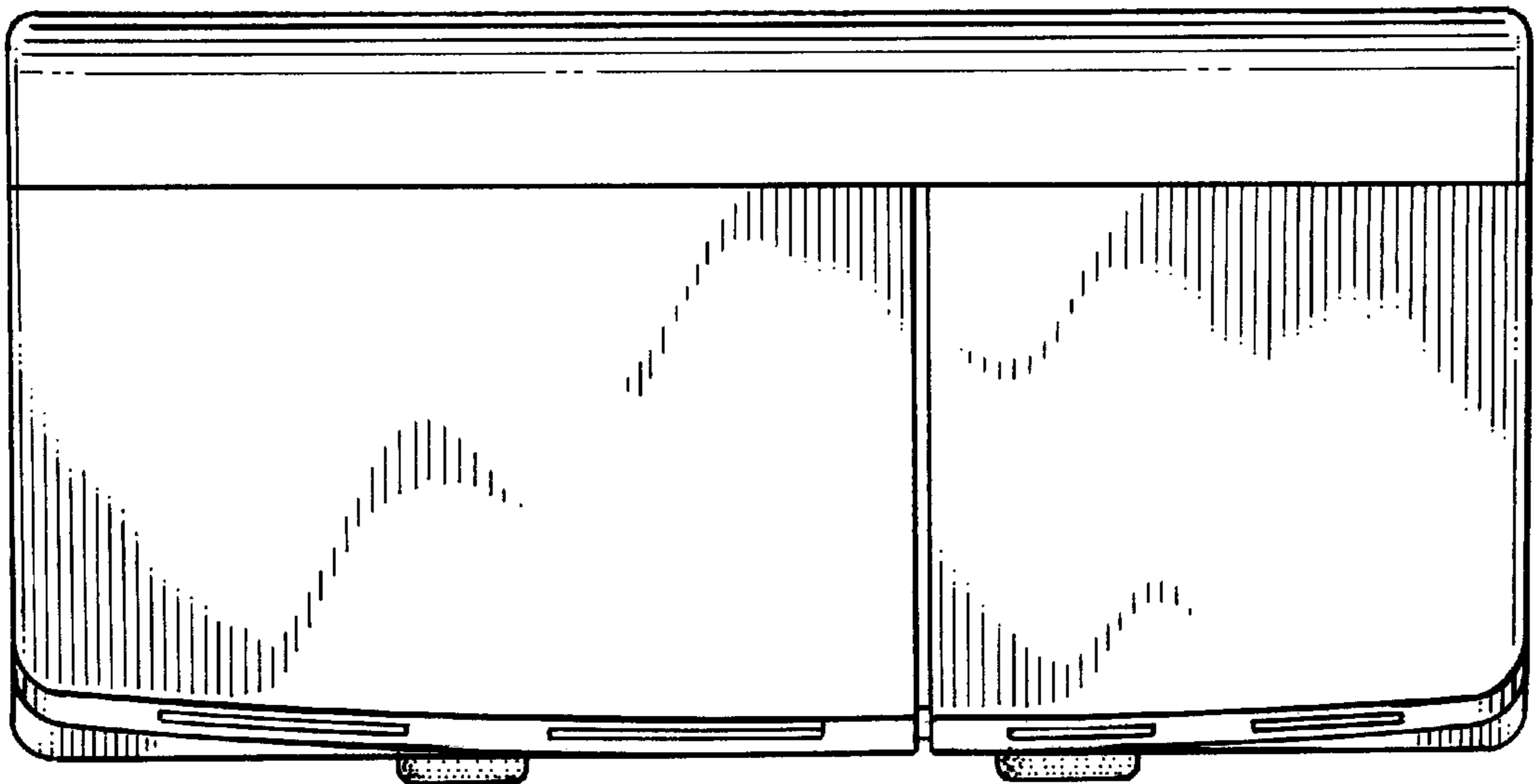


FIG. 3

FIG. 4



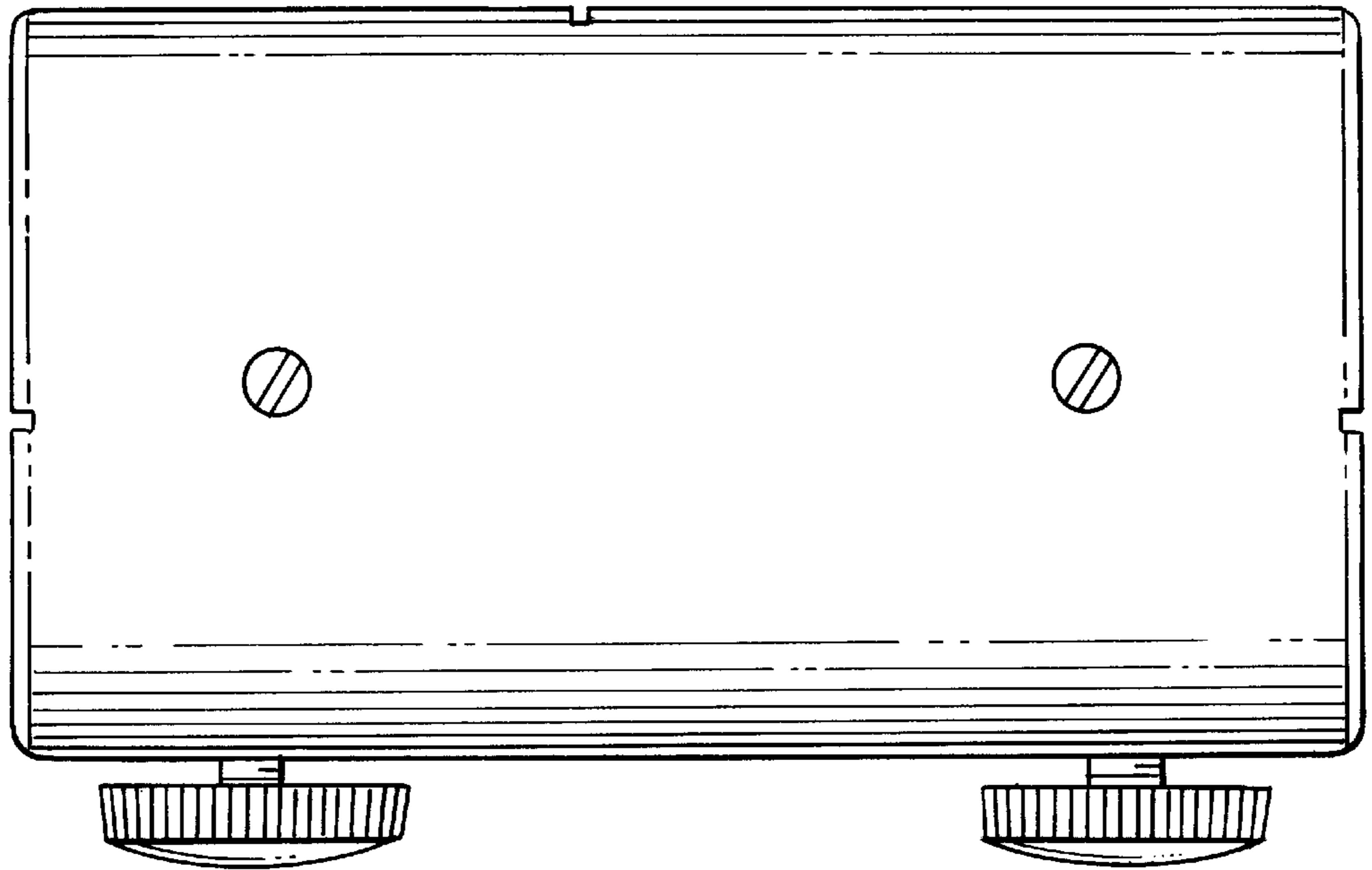


FIG. 5

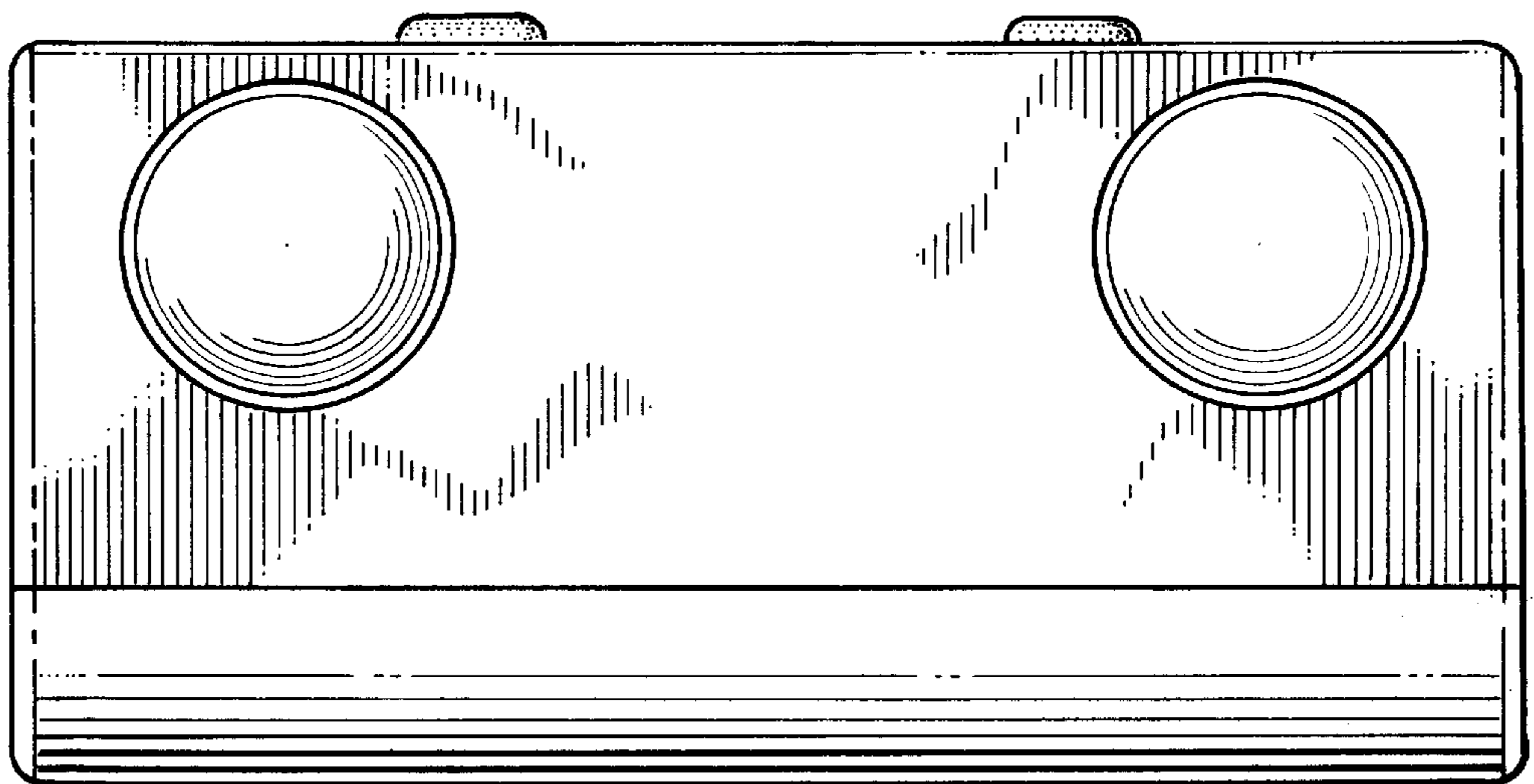


FIG. 6