



US00D413570S

United States Patent [19] Intveld

[11] **Patent Number: Des. 413,570**

[45] **Date of Patent: ** Sep. 7, 1999**

[54] **ELECTRICAL CORD CONNECTION**

[76] Inventor: **Dale K. Intveld**, 2190 S. Lincoln, Salt Lake City, Utah 84106

[**] Term: **14 Years**

[21] Appl. No.: **29/078,648**

[22] Filed: **Oct. 21, 1997**

[51] **LOC (6) Cl. 13-03**

[52] **U.S. Cl. D13/137.1**

[58] **Field of Search** 439/650-654,
439/284, 369; D13/139.1, 139.2, 139.3,
139.4, 139.5, 139.6, 139.7, 139.8, 137.1-137.4

[56] **References Cited**

U.S. PATENT DOCUMENTS

4,660,913	4/1987	Turner	439/287
4,875,874	10/1989	Windsor, Jr.	439/369
4,957,450	9/1990	Pioszak	439/369
5,573,420	11/1996	Grosswendt	439/371
5,584,720	12/1996	Elswick	439/369
5,649,835	7/1997	Weed	439/320
5,800,196	9/1998	Rudoy et al.	439/284

Primary Examiner—Susan J. Lucas

Assistant Examiner—Jennifer Rivard

Attorney, Agent, or Firm—Trask, Britt & Rossa

[57] **CLAIM**

The ornamental design for an electrical cord connection, as shown and described.

DESCRIPTION

FIG. 1 is a perspective view of an electrical cord connection

showing my new design, the broken lines showing the electrical cord sections are for illustrative purposes only, and form no part of the claimed design;

FIG. 2 is a left side view thereof, the broken lines showing the electrical cord sections are for illustrative purposes only, and form no part of the claimed design;

FIG. 3 is a right side view thereof, the broken lines showing the electrical cord sections and the electrical prong connectors are for illustrative purposes only, and form no part of the claimed design;

FIG. 4 is a rear view thereof, the broken lines showing the electrical cord are for illustrative purposes only, and form no part of the claimed design;

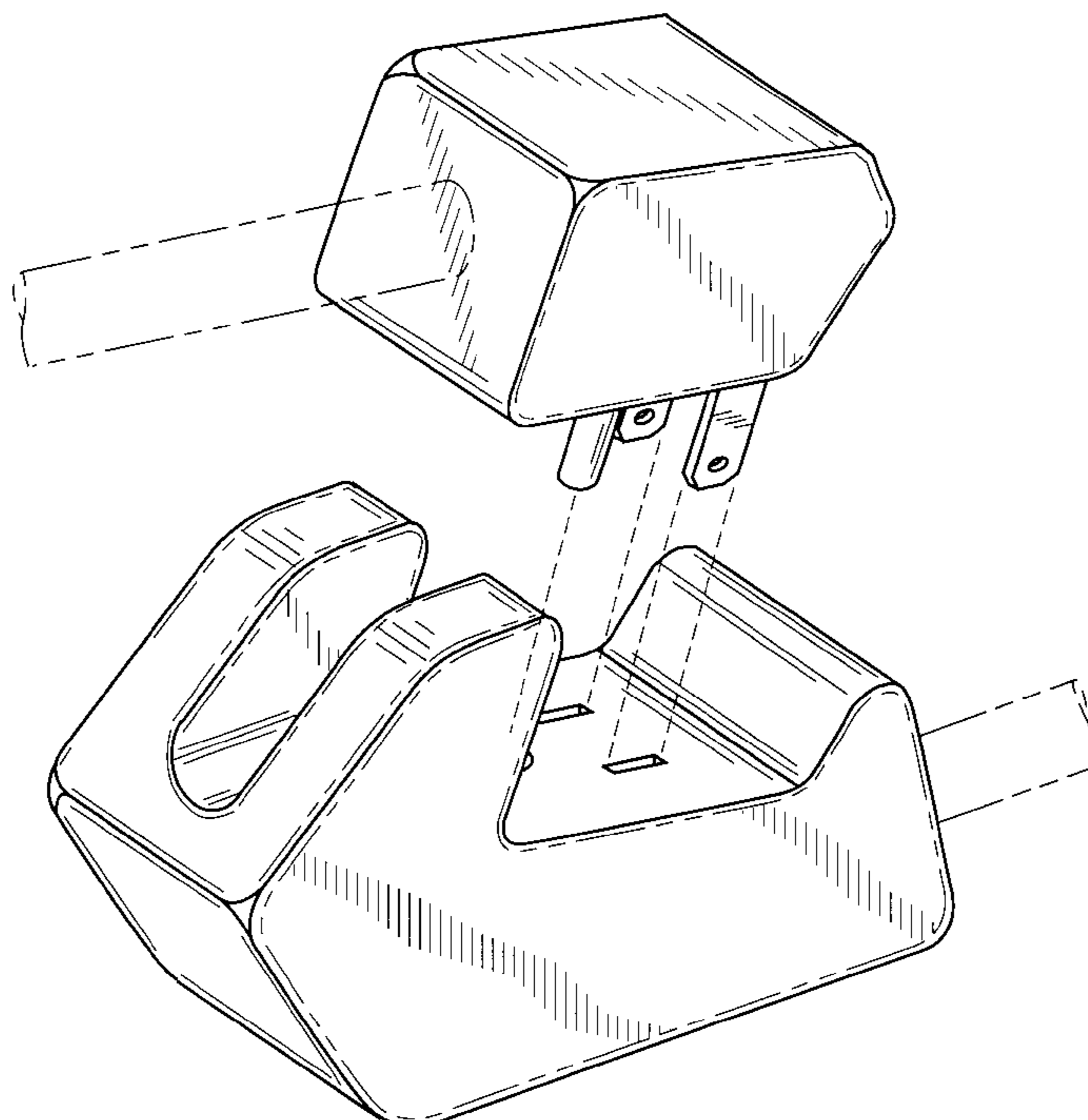
FIG. 5 is a front view thereof, the broken lines showing the electrical cord are for illustrative purposes only, and form no part of the claimed design; and

FIG. 6 is a top view of my design, the broken lines showing the electrical cord sections are for illustrative purposes only, and form no part of the claimed design;

FIG. 7 is a bottom view thereof, the broken lines showing the electrical cord sections are for illustrative purposes only, and form no part of the claimed design; and,

FIG. 8 is a perspective view thereof showing the two portions of the electrical connection being separated, the broken lines showing the electrical cord sections are for illustrative purposes only, and form no part of the claimed design.

1 Claim, 4 Drawing Sheets



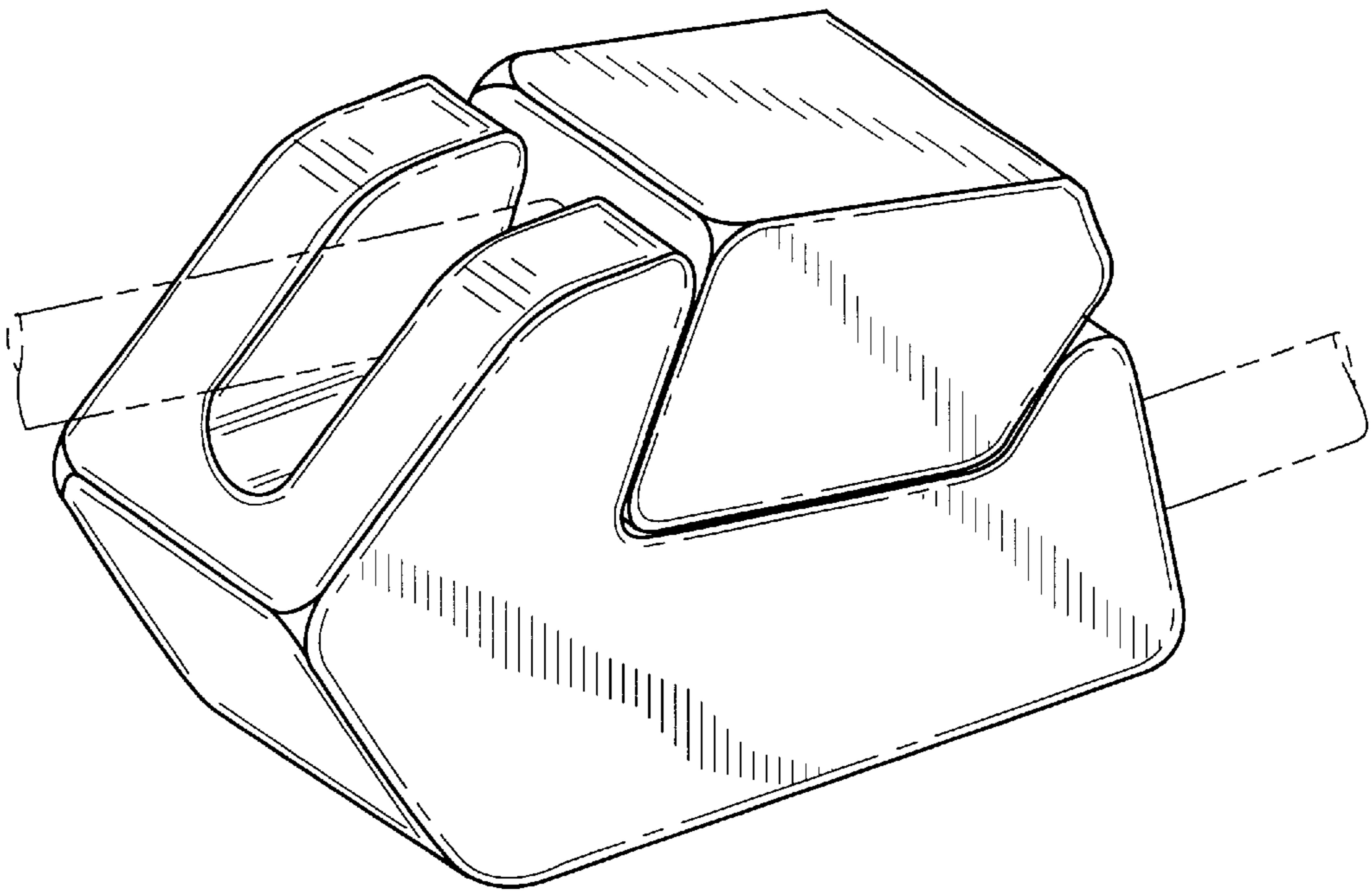


Fig. 1

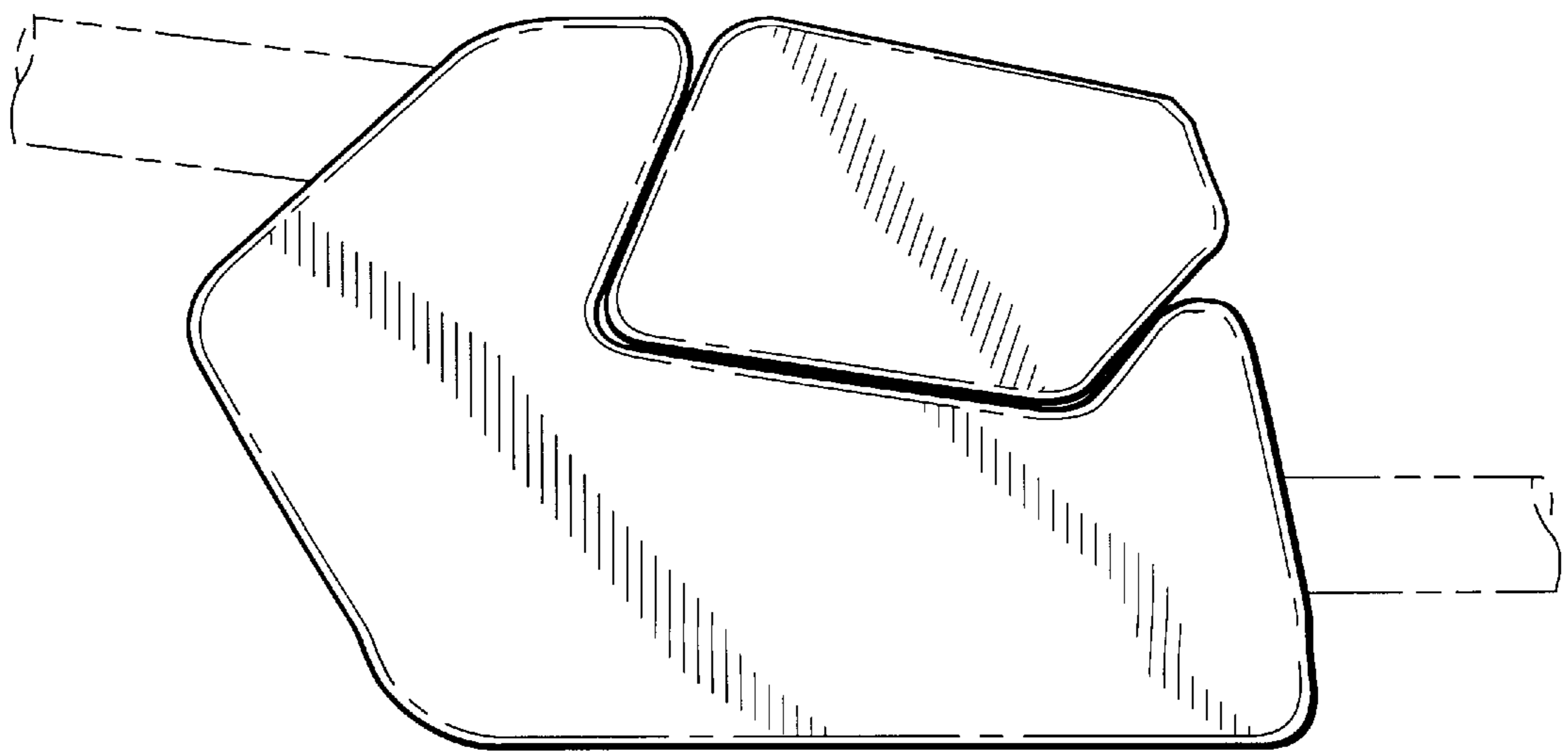


Fig. 2

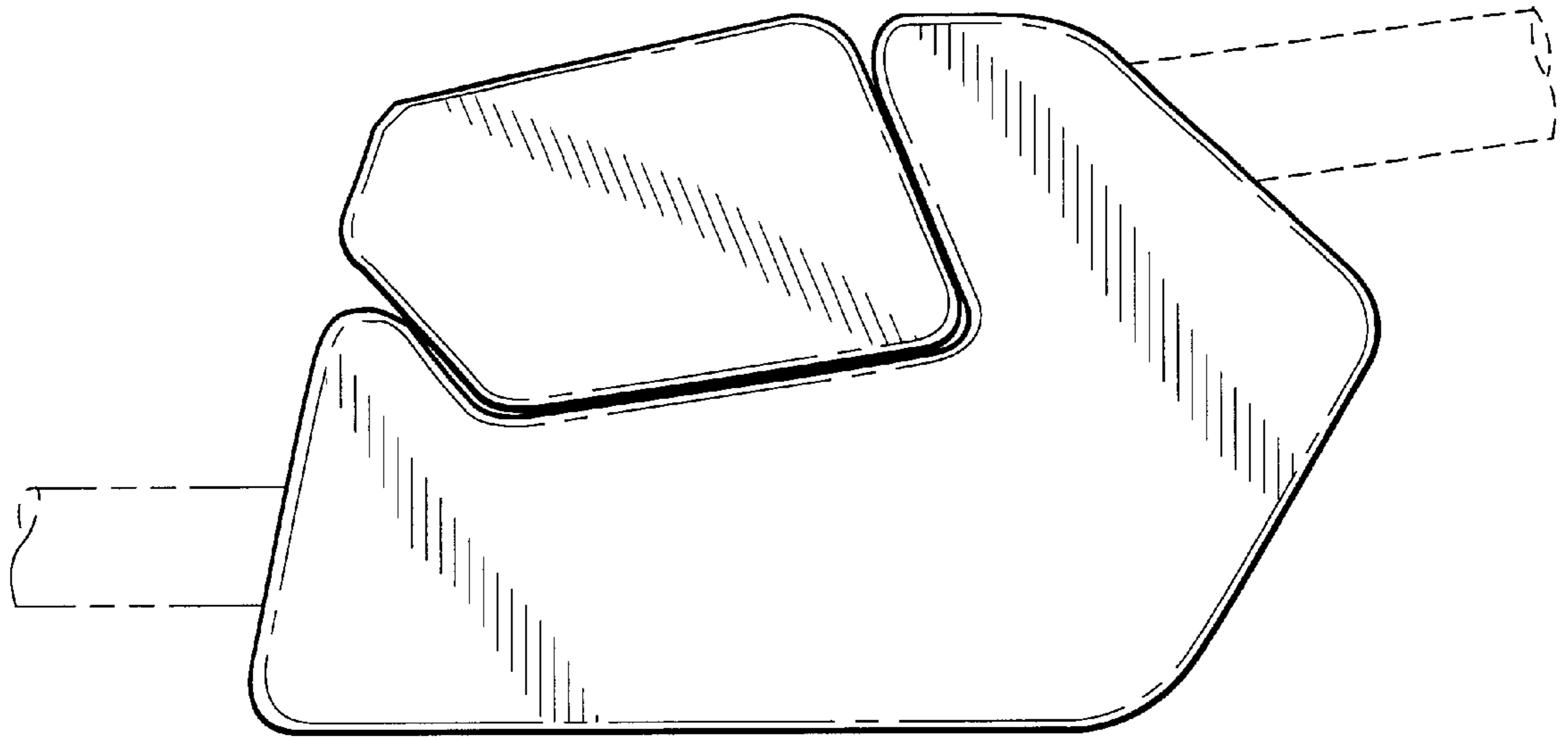


Fig. 3

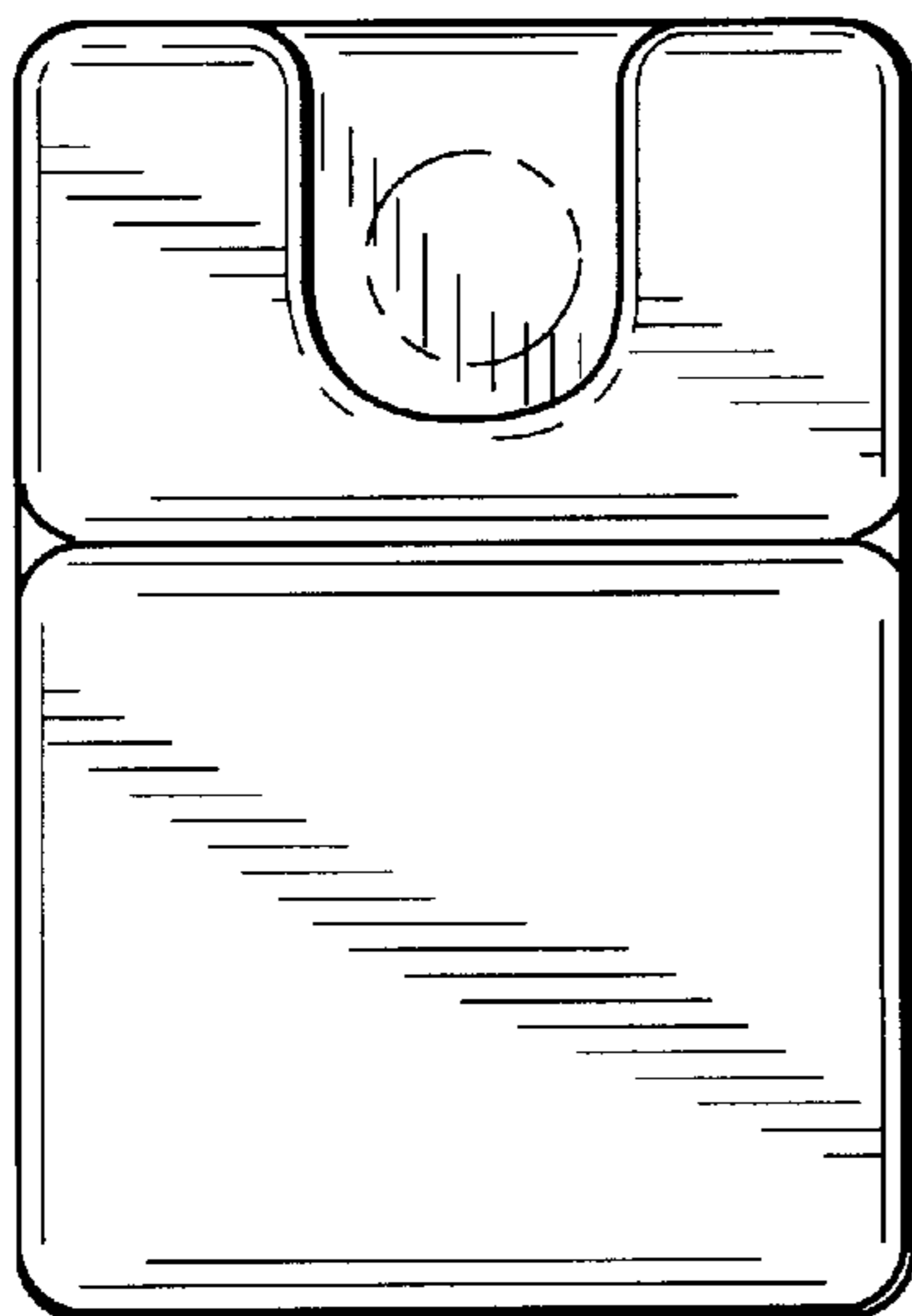


Fig. 4

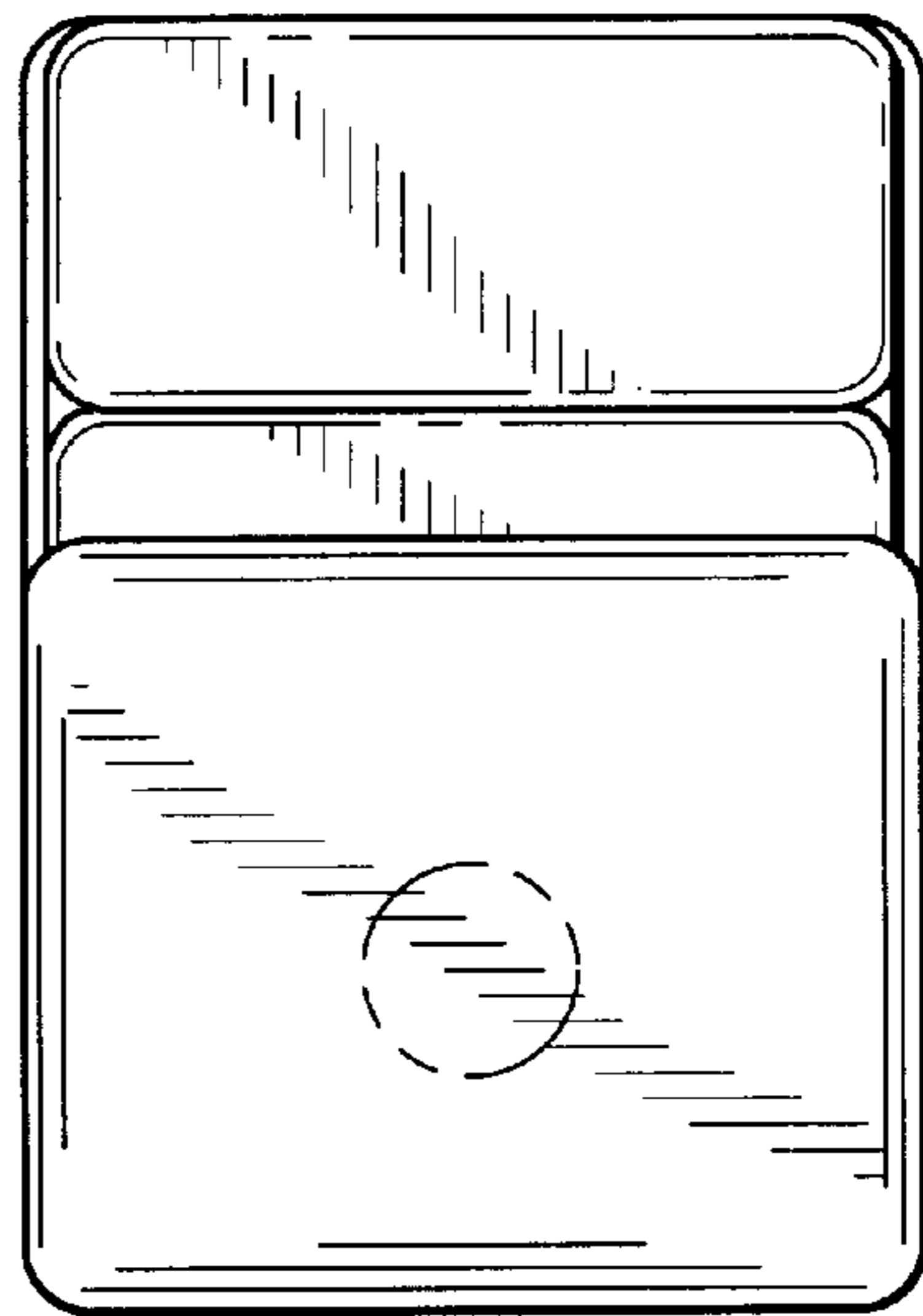


Fig. 5

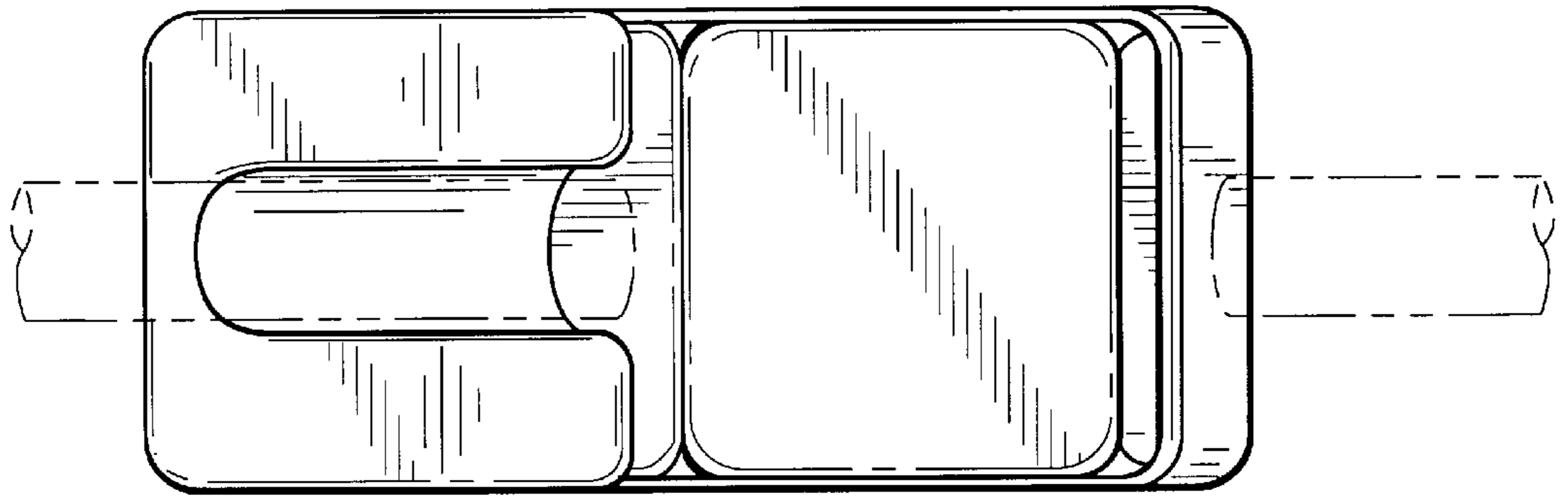


Fig. 6

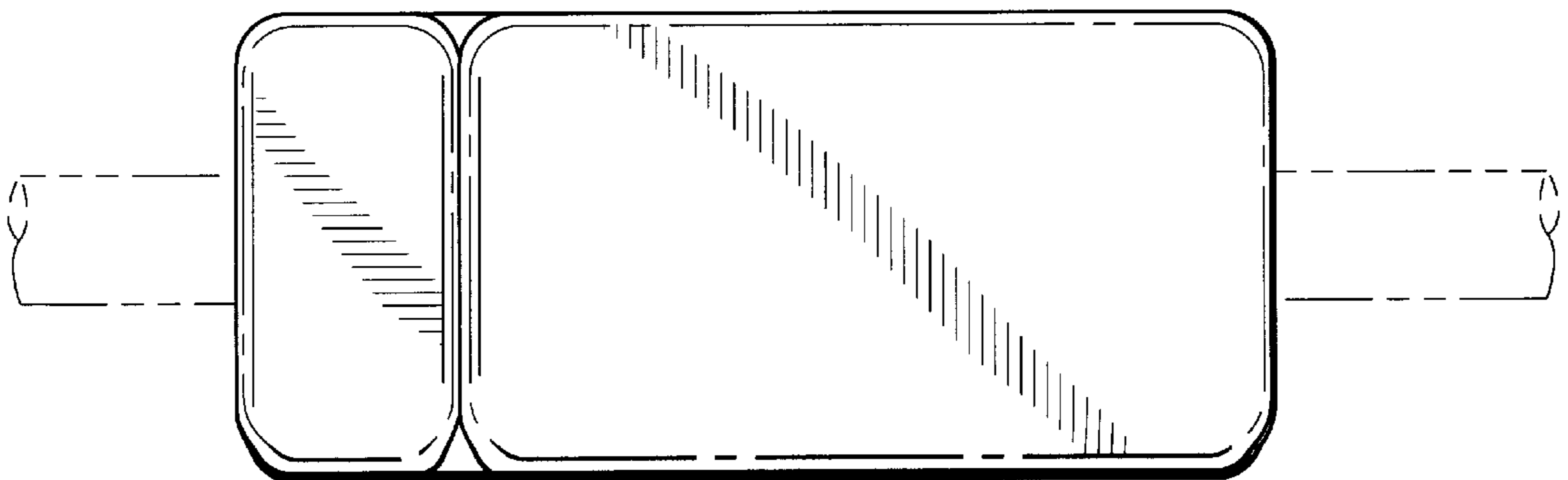


Fig. 7

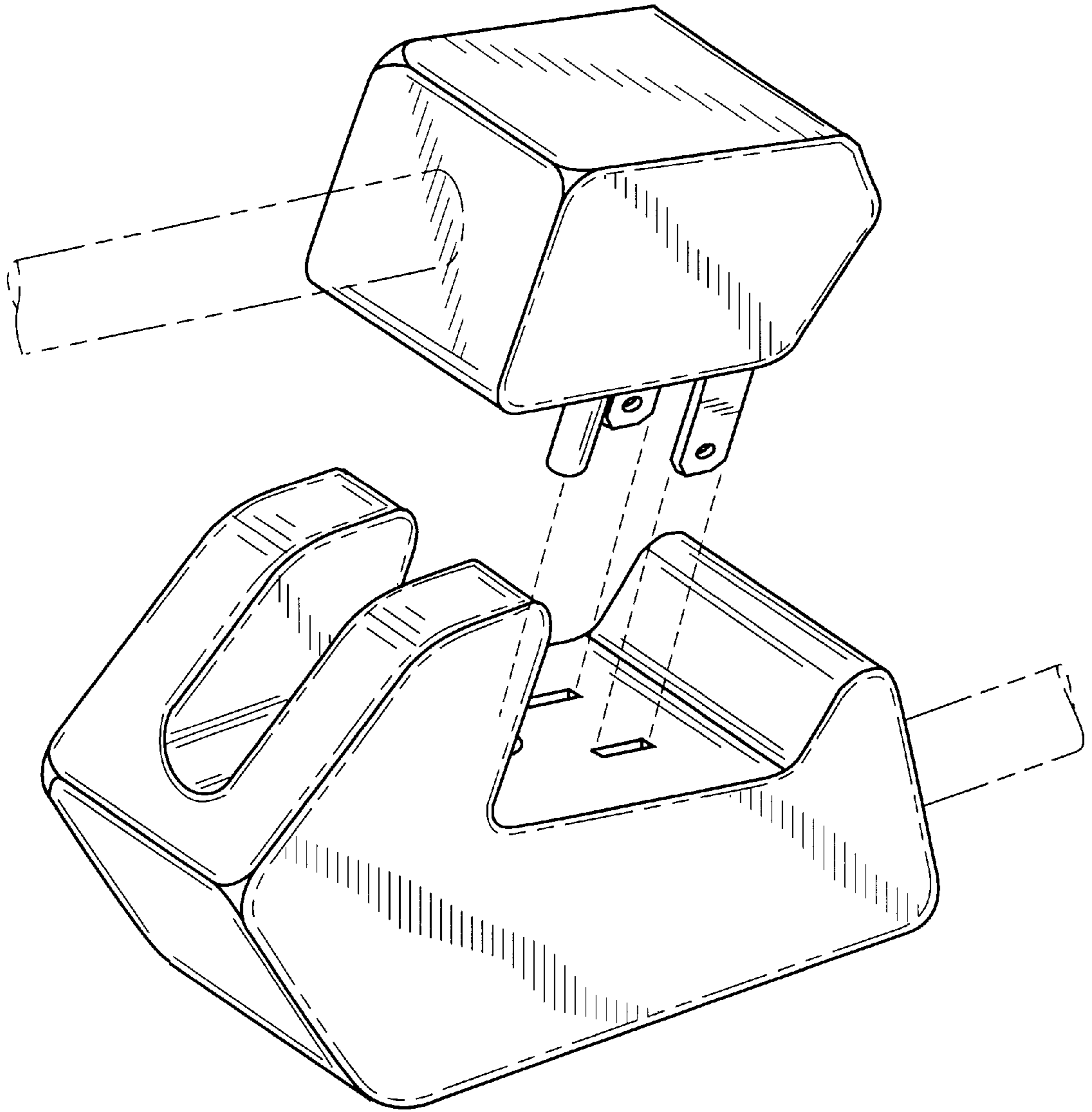


Fig. 8