



US00D413568S

United States Patent [19] Tai

[11] Patent Number: **Des. 413,568**

[45] Date of Patent: **** Sep. 7, 1999**

[54] **STABILIZATOR**

[76] Inventor: **Tsung-Eng Tai**, No. 953, Chi Nan Road, Nan Tzu District, Kaohsiung, Taiwan

[**] Term: **14 Years**

[21] Appl. No.: **29/086,841**

[22] Filed: **Apr. 21, 1998**

[51] **LOC (6) Cl.** **13-02**

[52] **U.S. Cl.** **D13/117**

[58] **Field of Search** D13/110, 117, D13/123; D26/3; 315/290, DIG. 5, DIG. 7

[56] **References Cited**

U.S. PATENT DOCUMENTS

- D. 273,809 5/1984 Chapman et al. D26/3
- D. 273,999 5/1984 Chapman et al. D26/3
- D. 290,524 6/1987 Kusmer D13/110
- D. 364,376 11/1995 Lin D13/117

- D. 364,847 12/1995 Lin D13/117
- D. 392,251 3/1998 Altman et al. D13/110
- D. 400,167 10/1998 Klaus D13/110

Primary Examiner—Joel Sincavage
Attorney, Agent, or Firm—Rosenberg, Klein & Bilker

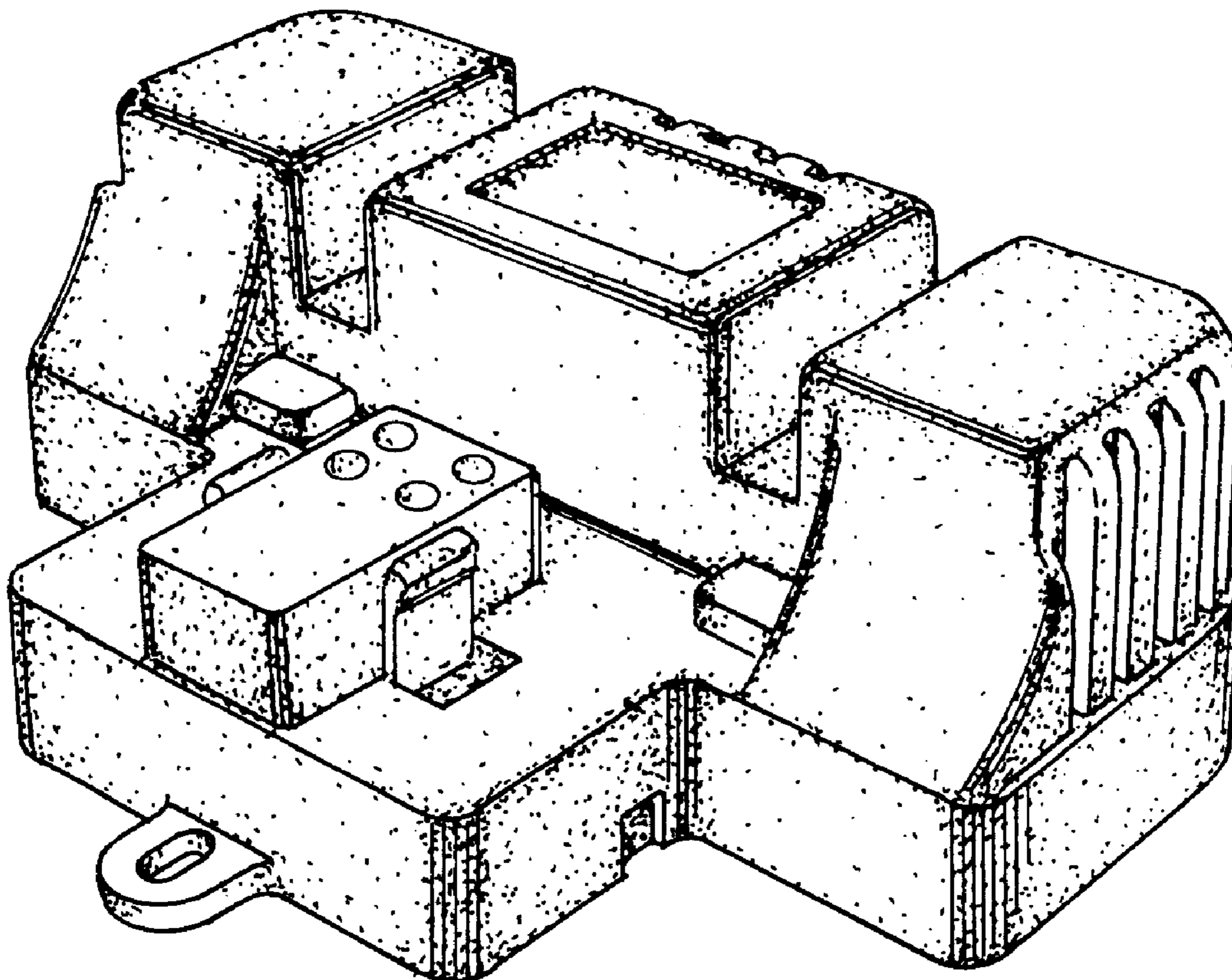
[57] **CLAIM**

The ornamental design for a stabilizator, as shown and described.

DESCRIPTION

FIG. 1 is a perspective view of a stabilizator showing my new design;
FIG. 2 is a front elevational view thereof;
FIG. 3 is a rear elevational view thereof;
FIG. 4 is a left side elevational view thereof;
FIG. 5 is a right side elevational view thereof;
FIG. 6 is a top plan view thereof; and,
FIG. 7 is a bottom plan view thereof.

1 Claim, 3 Drawing Sheets



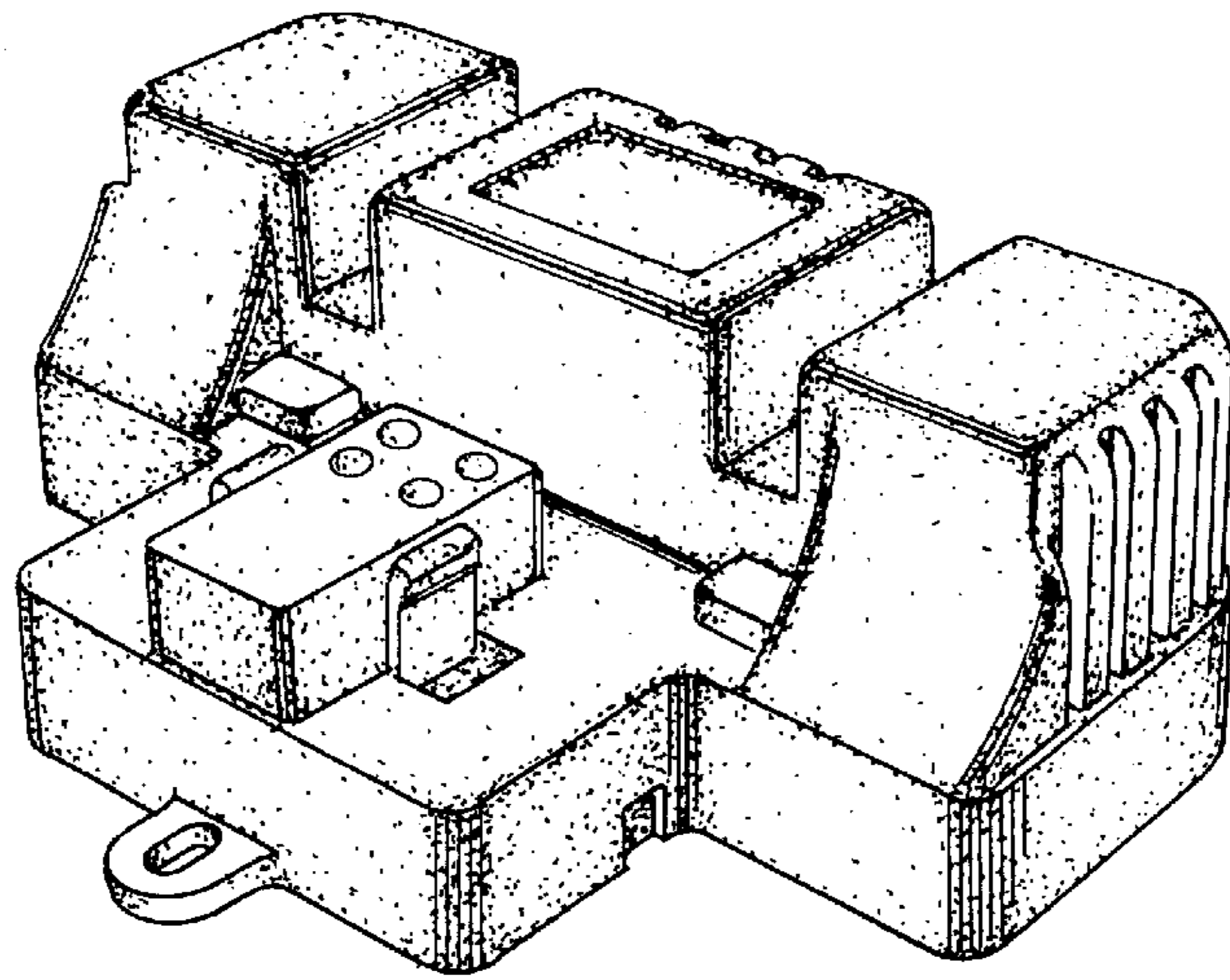


FIG. 1

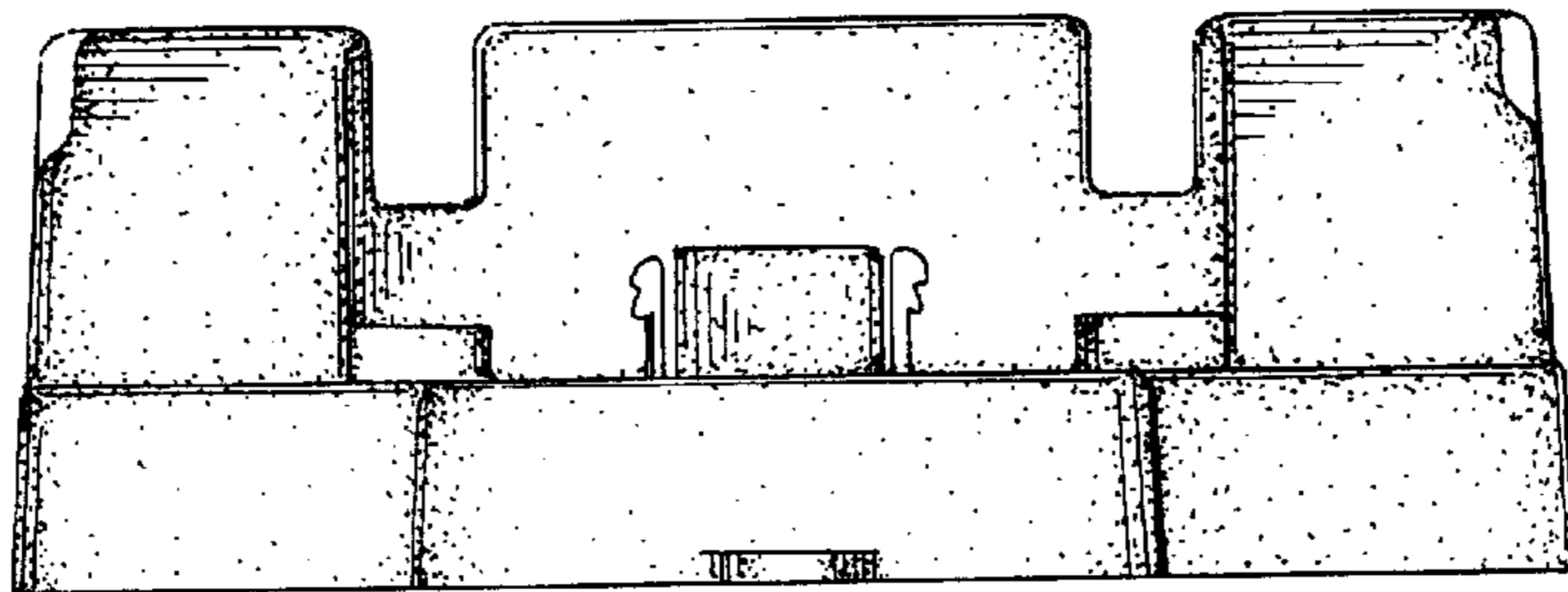


FIG. 2

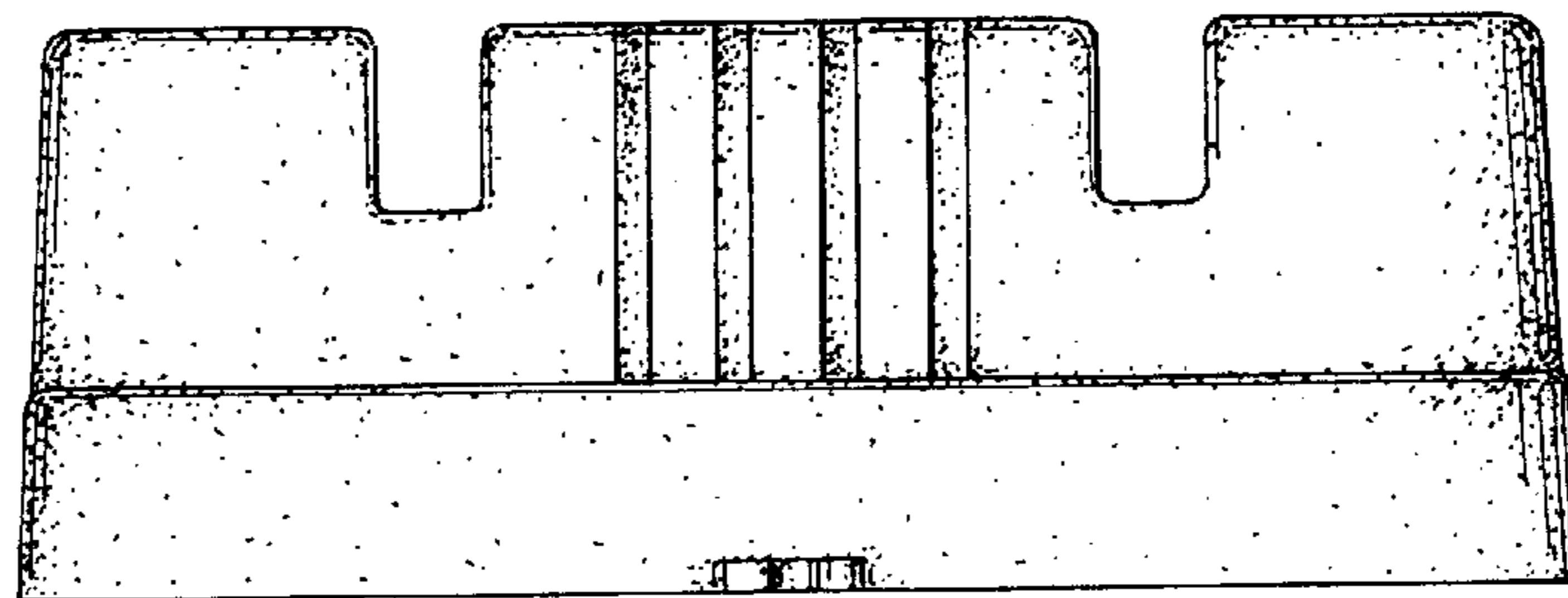


FIG. 3

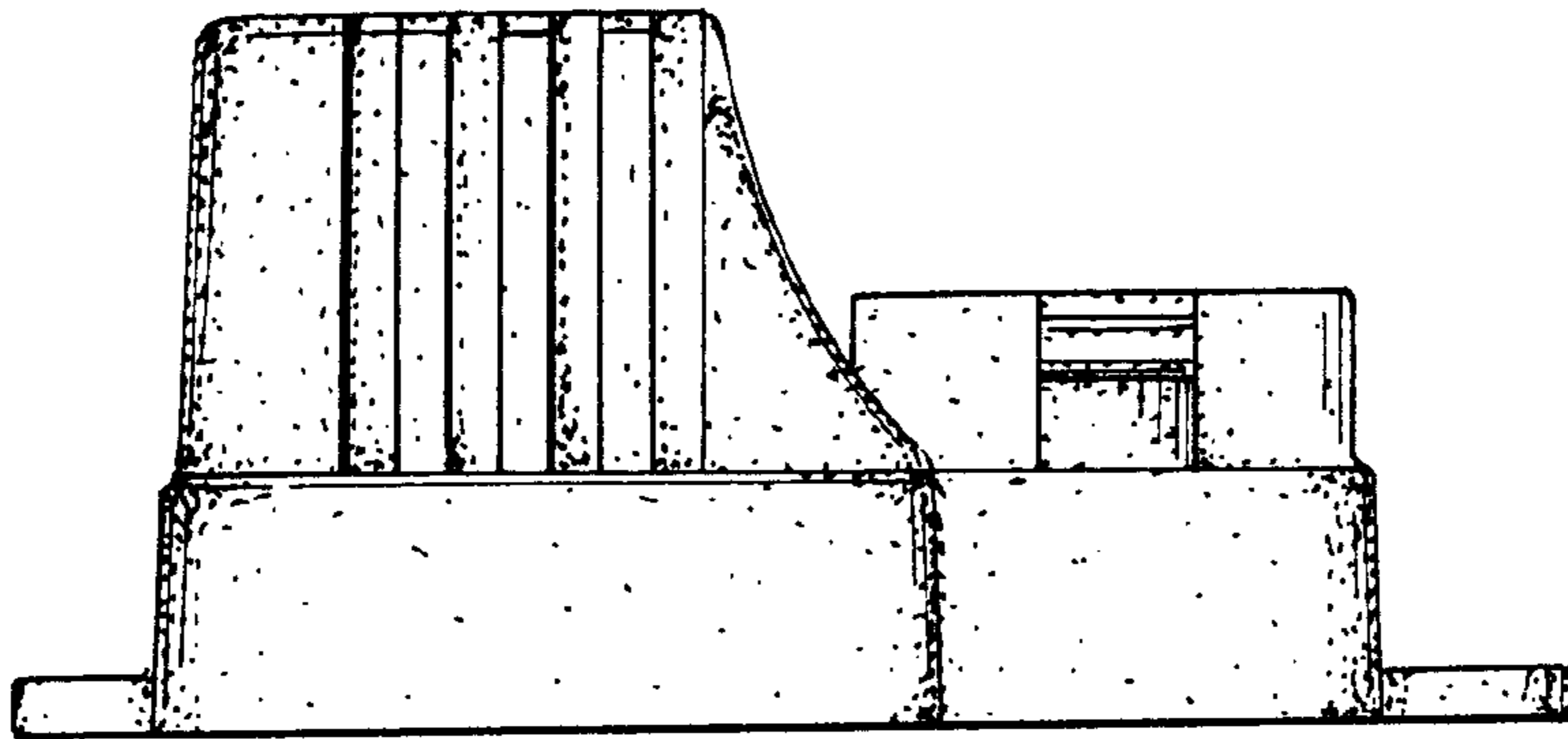


FIG. 4

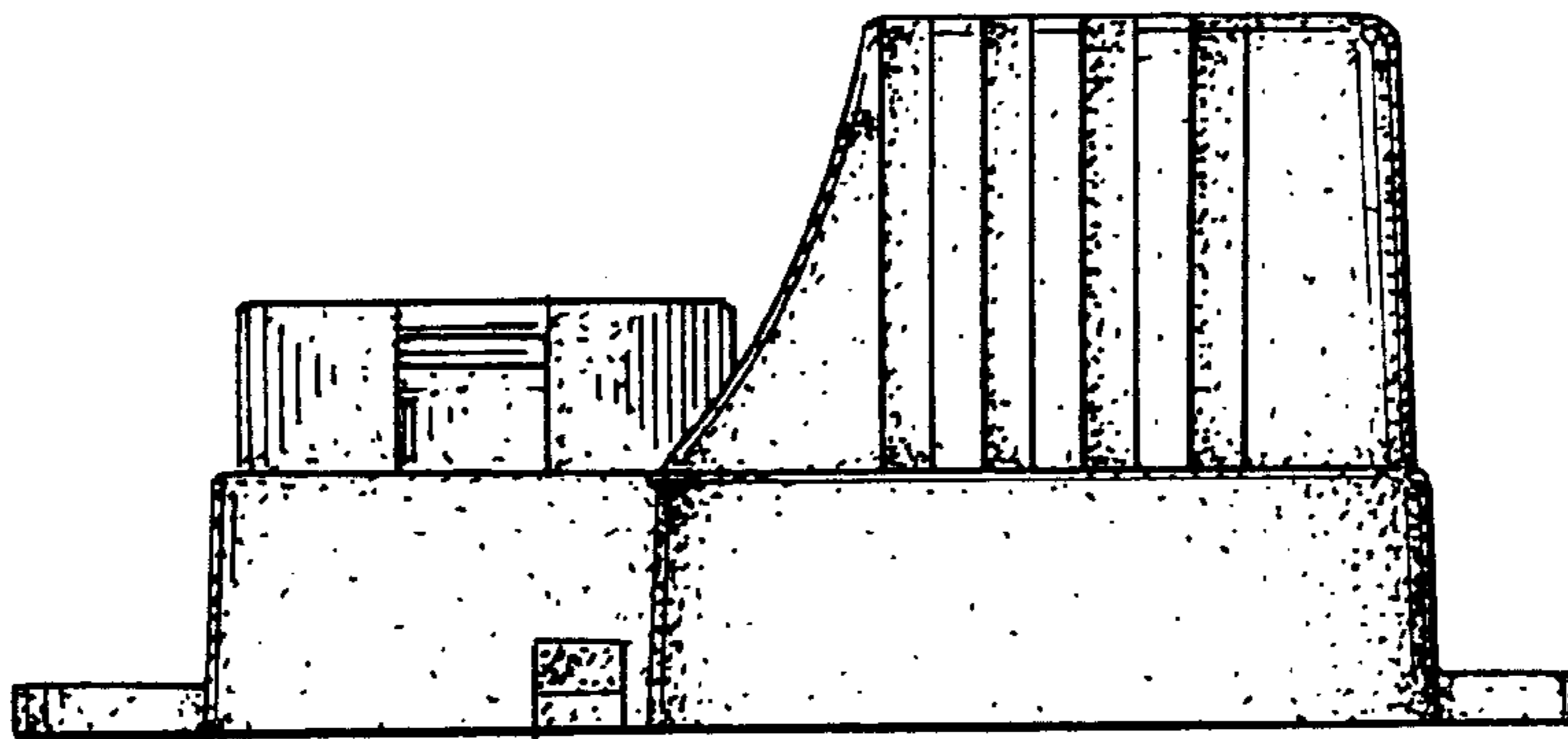


FIG. 5

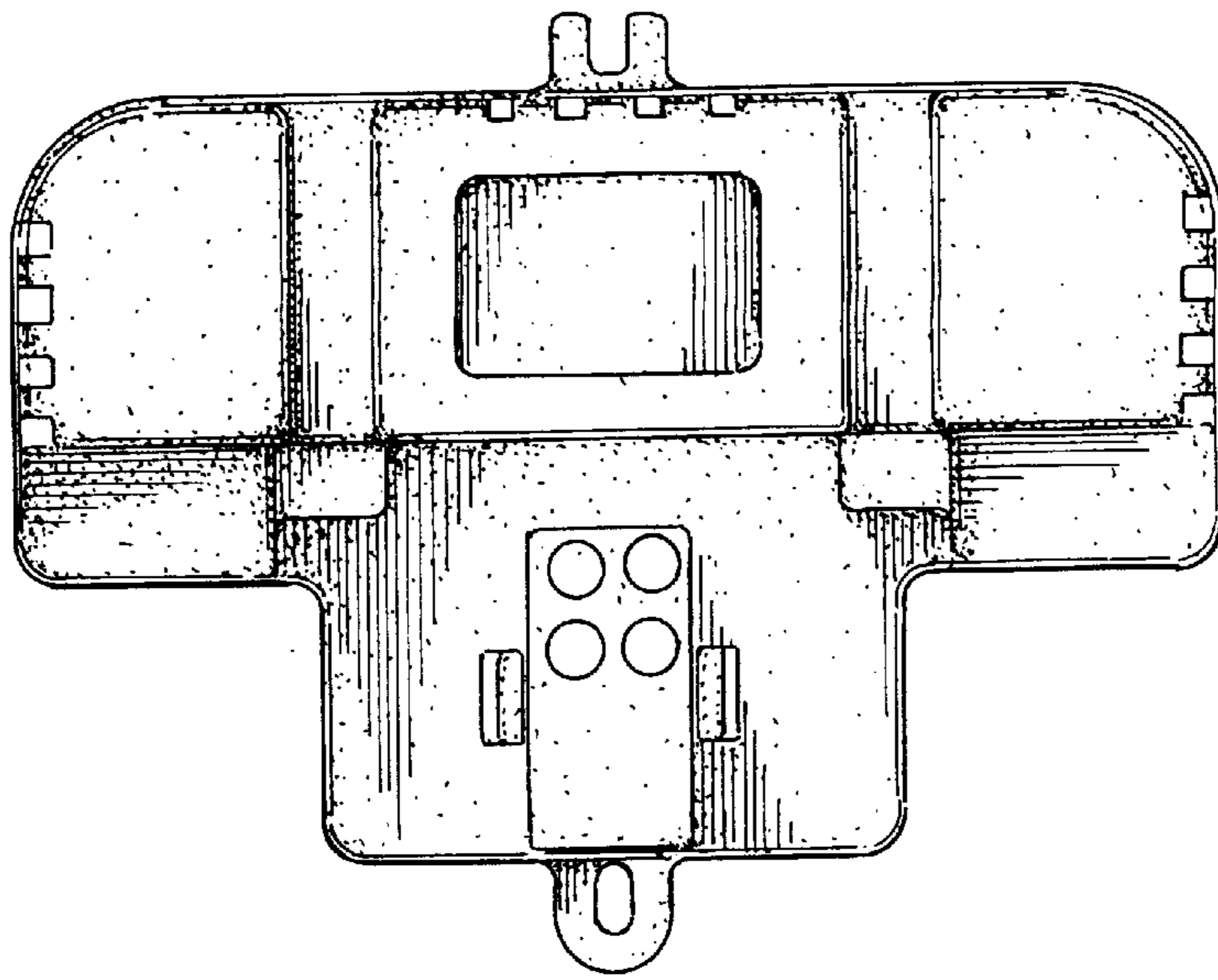


FIG. 6

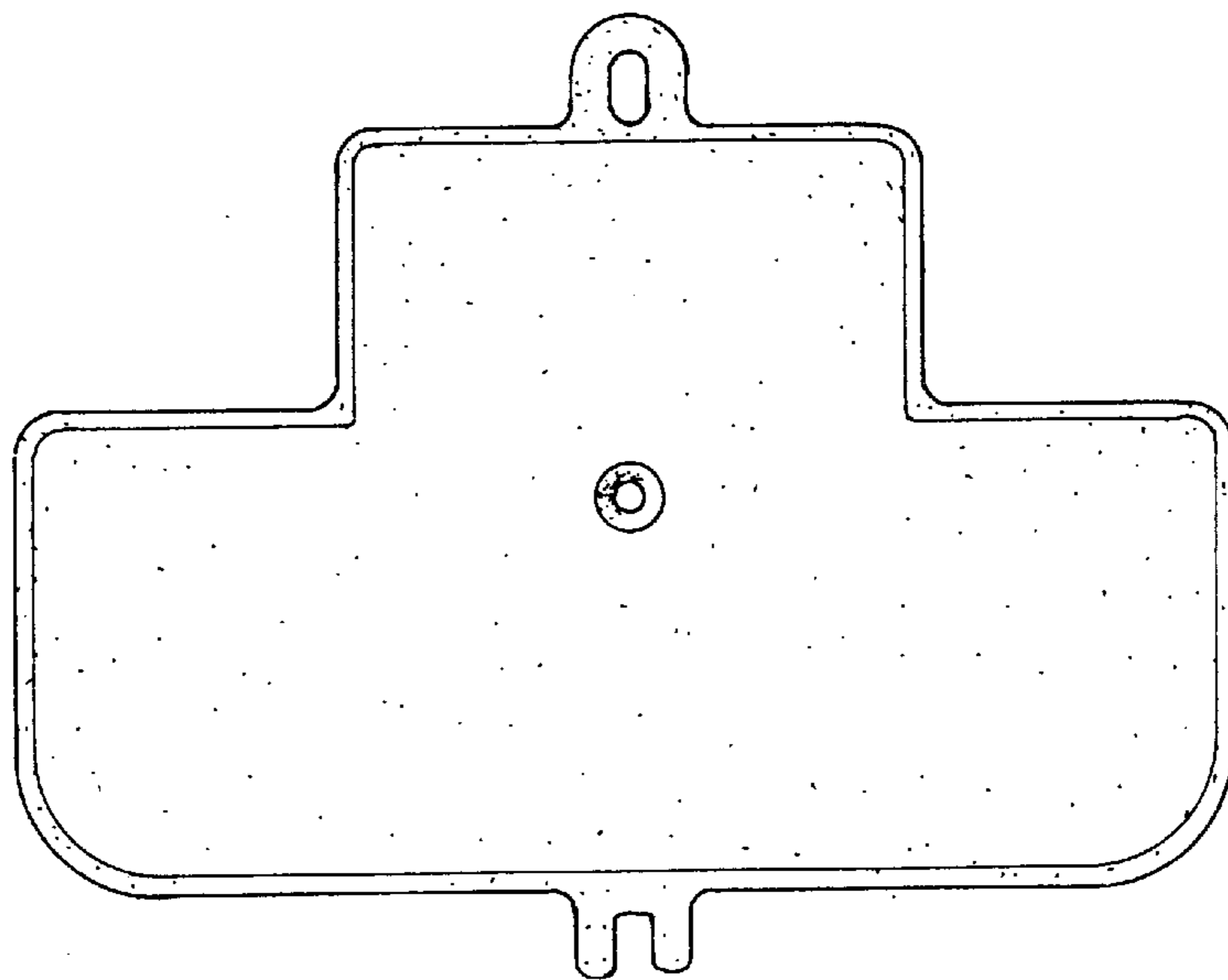


FIG. 7