



US00D413567S

United States Patent [19]

[11] Patent Number: Des. 413,567

Person et al.

[45] Date of Patent: ** Sep. 7, 1999

[54] DC TO AC POWER INVERTER

[75] Inventors: Edward Andre Person, Coquitlam; Matthew Sean Kuzminski, Surrey; Robert Fraser Cameron, Vancouver; Samson Chun-Tat Wong; Kenneth Allan Fielding, both of Coquitlam, all of Canada

[73] Assignee: Statpower Technologies Corp., Canada

[**] Term: 14 Years

[21] Appl. No.: 29/075,447

[22] Filed: Aug. 19, 1997

[51] LOC (6) Cl. 13-02

[52] U.S. Cl. D13/110

[58] Field of Search D13/110, 184; 307/150; 363/141, 132

[56] References Cited

U.S. PATENT DOCUMENTS

D. 349,682	8/1994	Hinziker	D13/110
D. 387,032	12/1997	Tracewell	D13/110
4,872,102	10/1989	Getter	363/141
5,170,336	12/1992	Getter et al.	363/141
5,293,145	3/1994	Rynkiewicz	336/65
5,354,625	10/1994	Bentz et al.	429/17
5,399,445	3/1995	Tinker	429/90
5,600,550	2/1997	Cook, II	363/58

OTHER PUBLICATIONS

Product Brochure—Statpower Technologies Corporation. PROwatt line of power inverters. Copyright ©1996. Printed in Canada.

Product Brochure—Statpower Technologies Corporation. PORTAWATTZ line of power inverters. Copyright ©1996. Printed in Canada.

Product Brochure—Statpower Technologies Corporation. PROsine line of power inverters. Copyright ©1995. Printed in Canada.

Product Brochure—Statpower Technologies Corporation. PROsine Inverter Chargers Copyright ©1997. Printed in Canada.

Primary Examiner—Joel Sincavage

Attorney, Agent, or Firm—Fulbright & Jaworski L.L.P.

[57] CLAIM

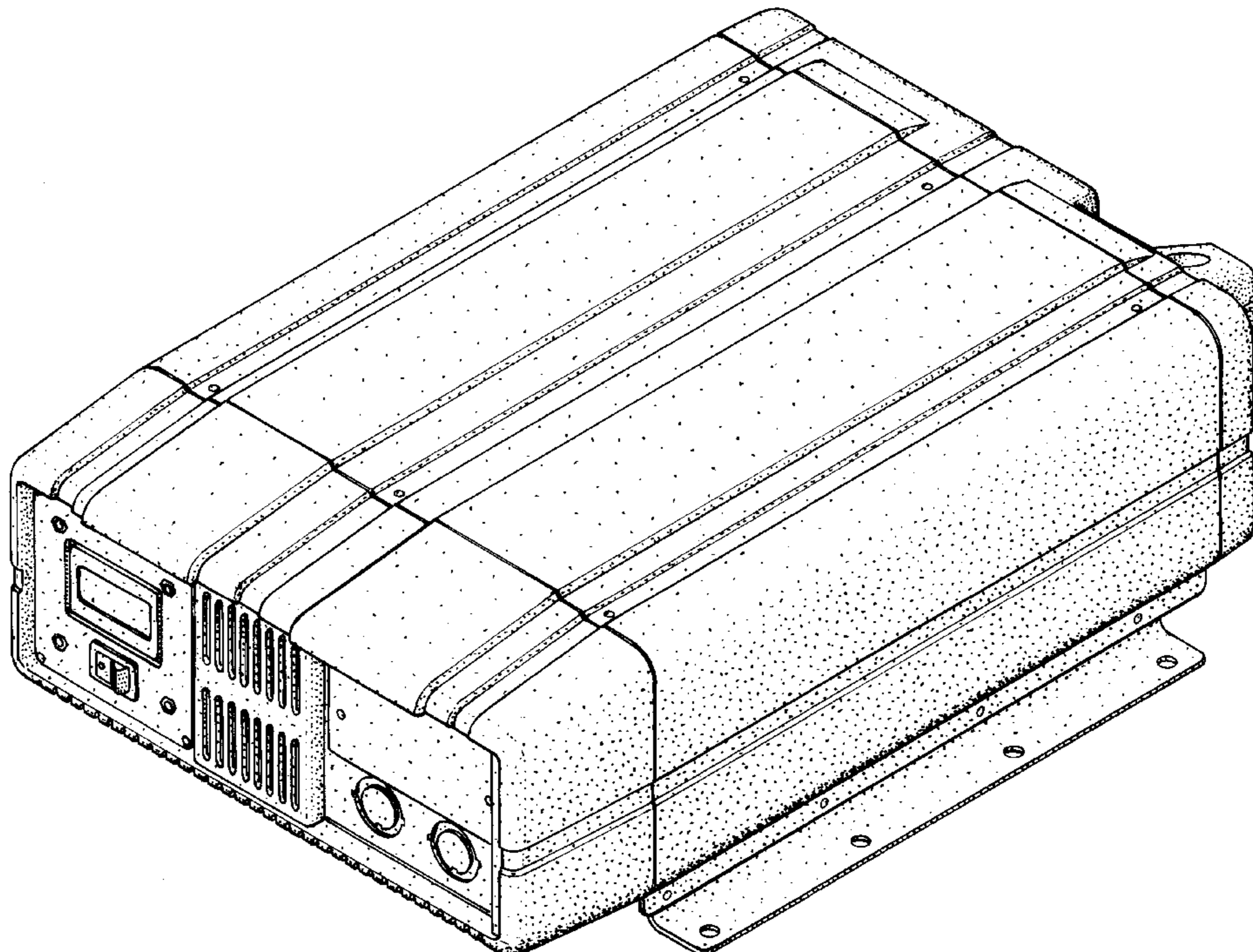
The ornamental design for a DC to AC power inverter, as shown and described.

DESCRIPTION

FIG. 1 is a front perspective view of the DC to AC power inverter showing my new design, FIG. 2 is a rear perspective view thereof, FIG. 3 is a front elevational view thereof, FIG. 4 is a top plan view thereof, FIG. 5 is a righthand side view thereof, FIG. 6 is a rear end view thereof, FIG. 7 is a bottom plan view thereof, FIG. 8 is a lefthand side view thereof, FIG. 9 is a perspective view of an alternative embodiment of a DC to AC power inverter showing my new design; and, FIG. 10 is a front elevational view thereof.

All other views of the alternative embodiment are the same as corresponding views of the first embodiment.

1 Claim, 8 Drawing Sheets



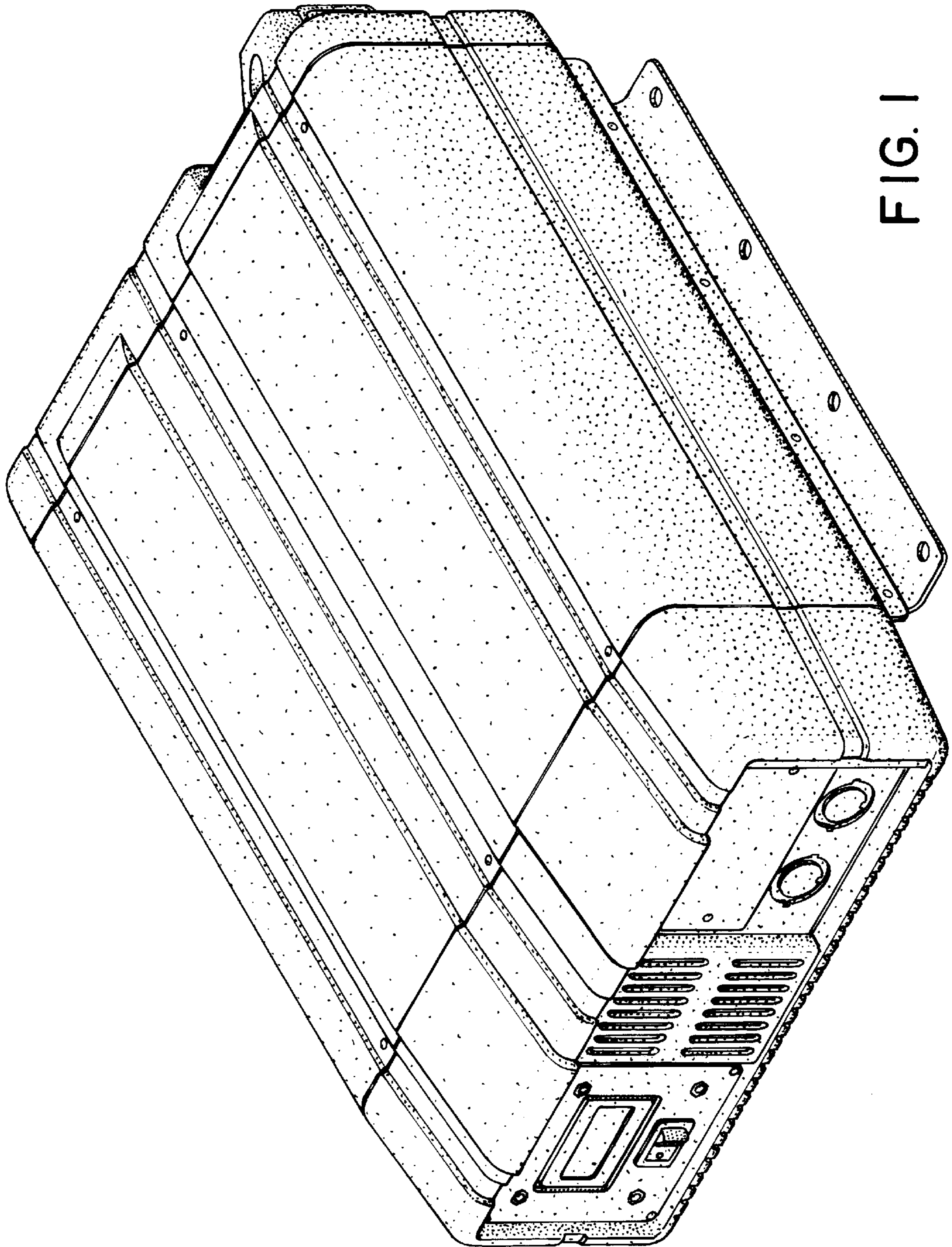


FIG. 1

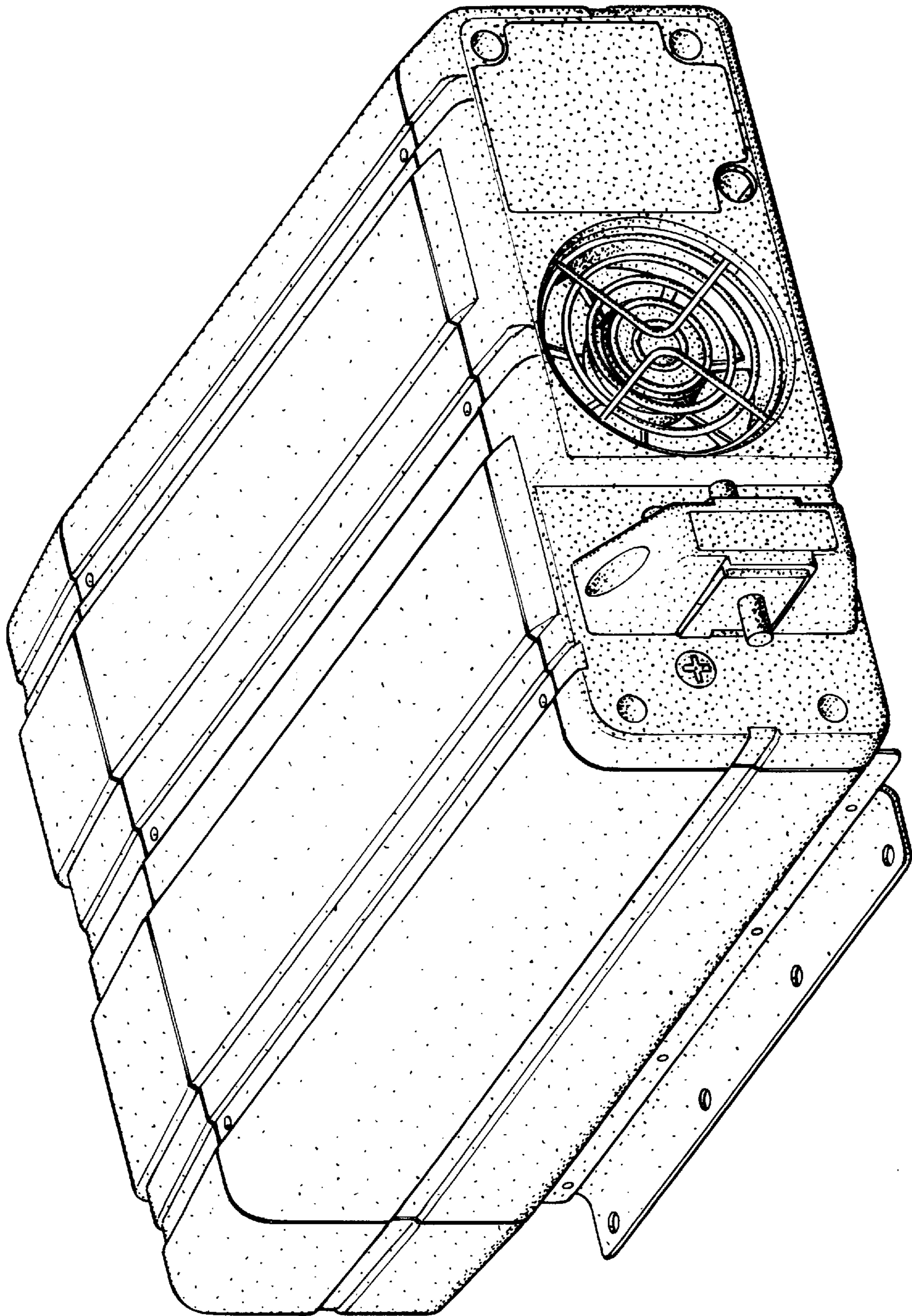
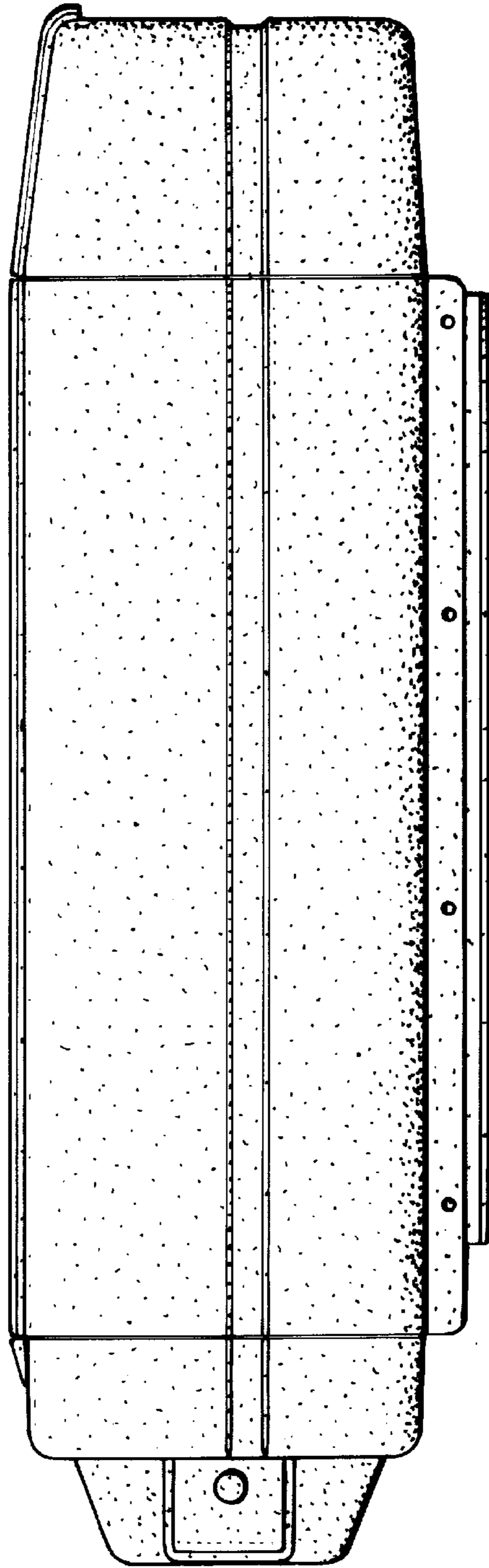
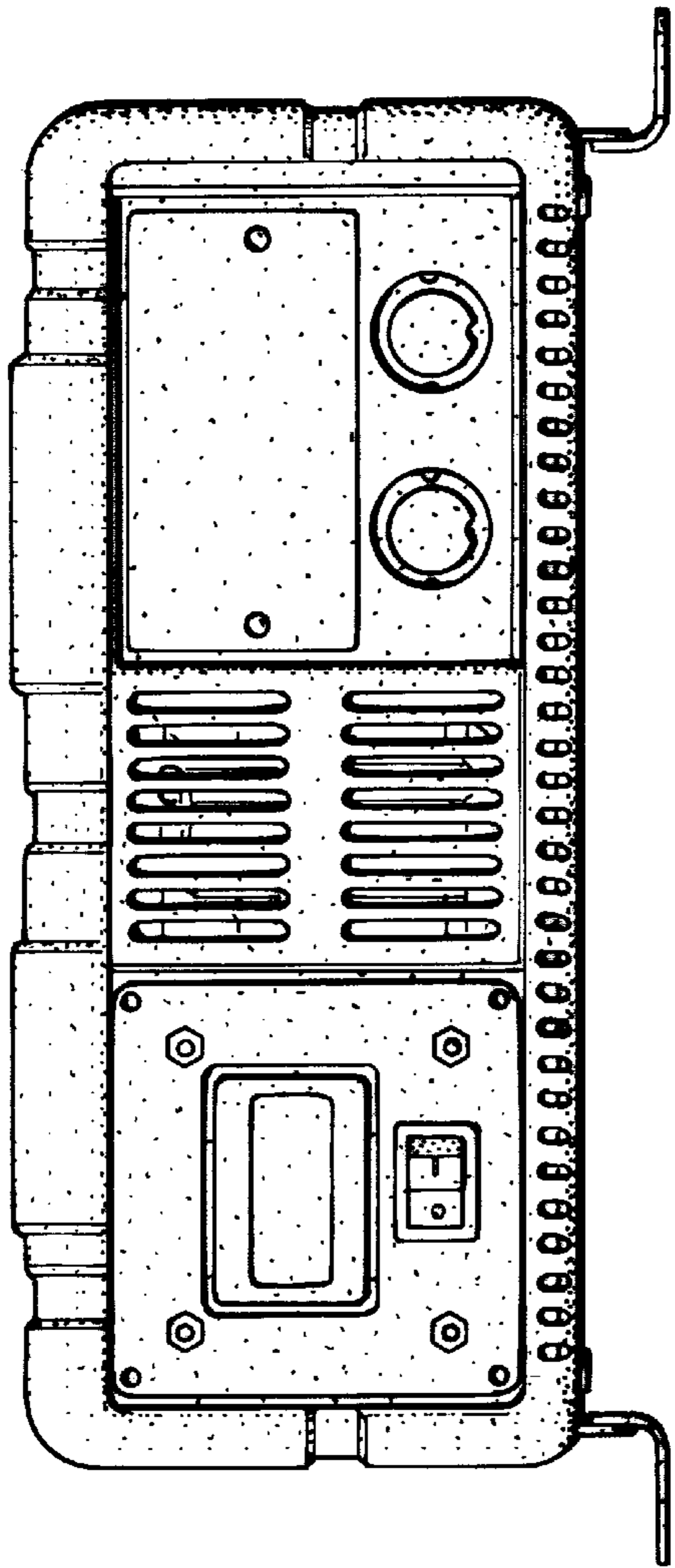


FIG. 2



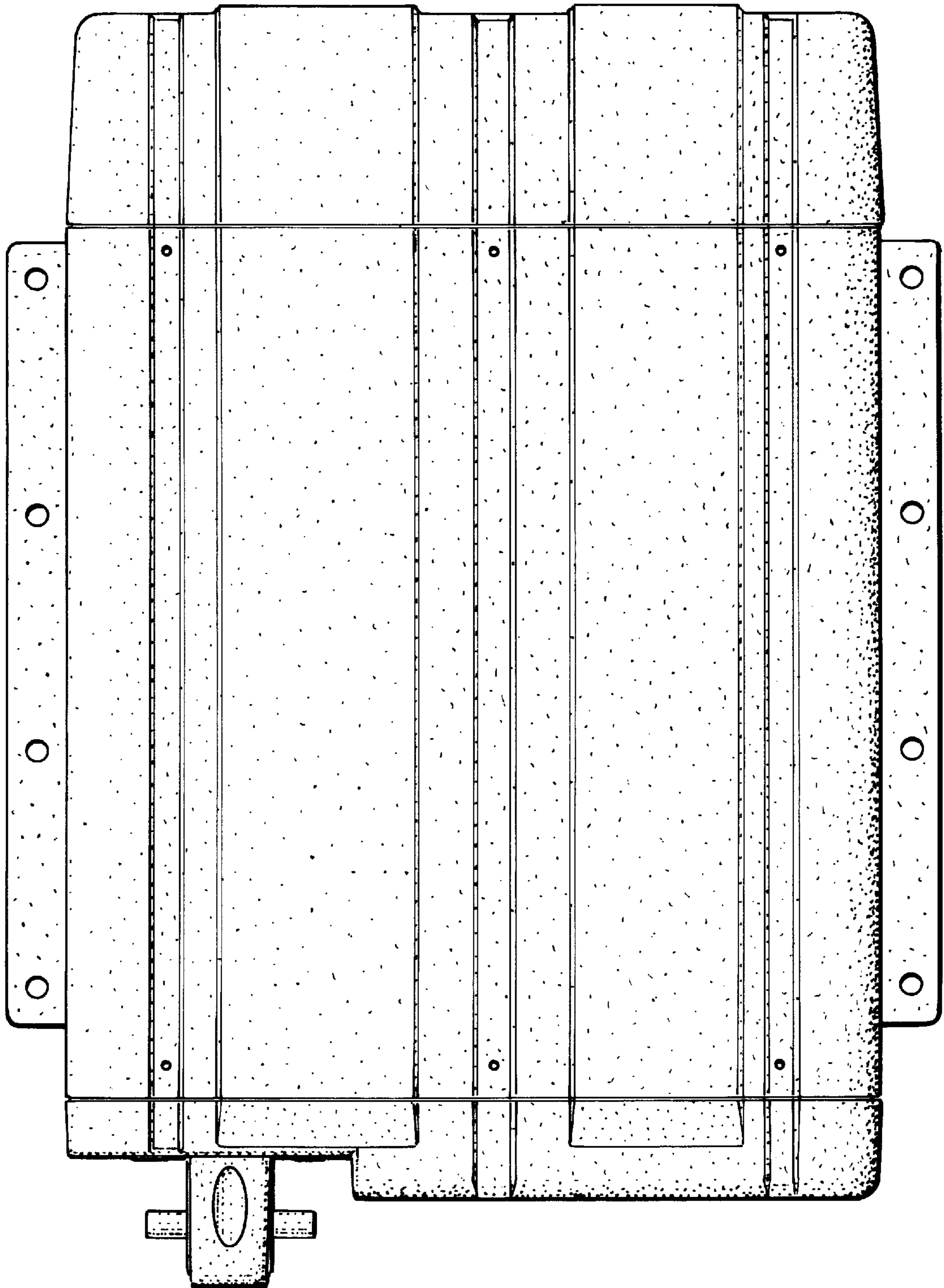


FIG. 4

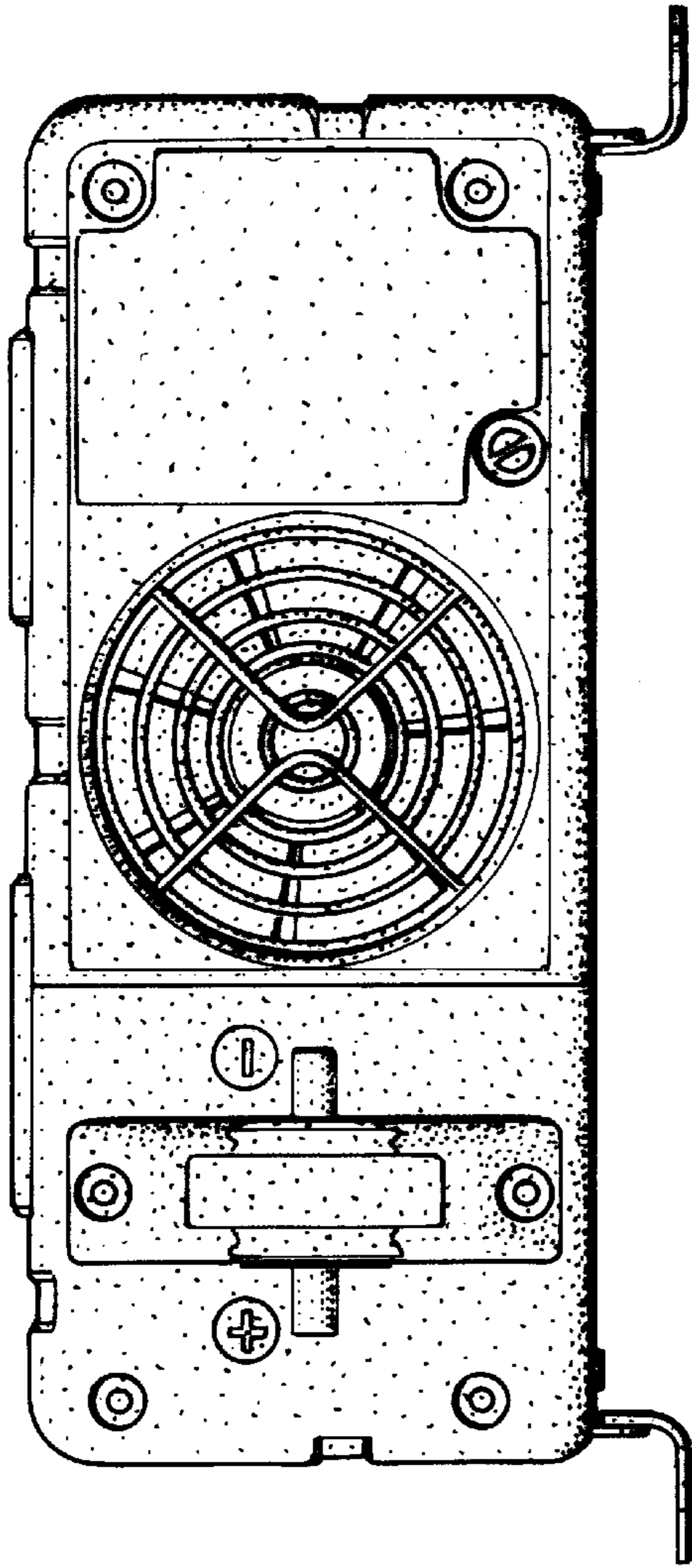


FIG. 6

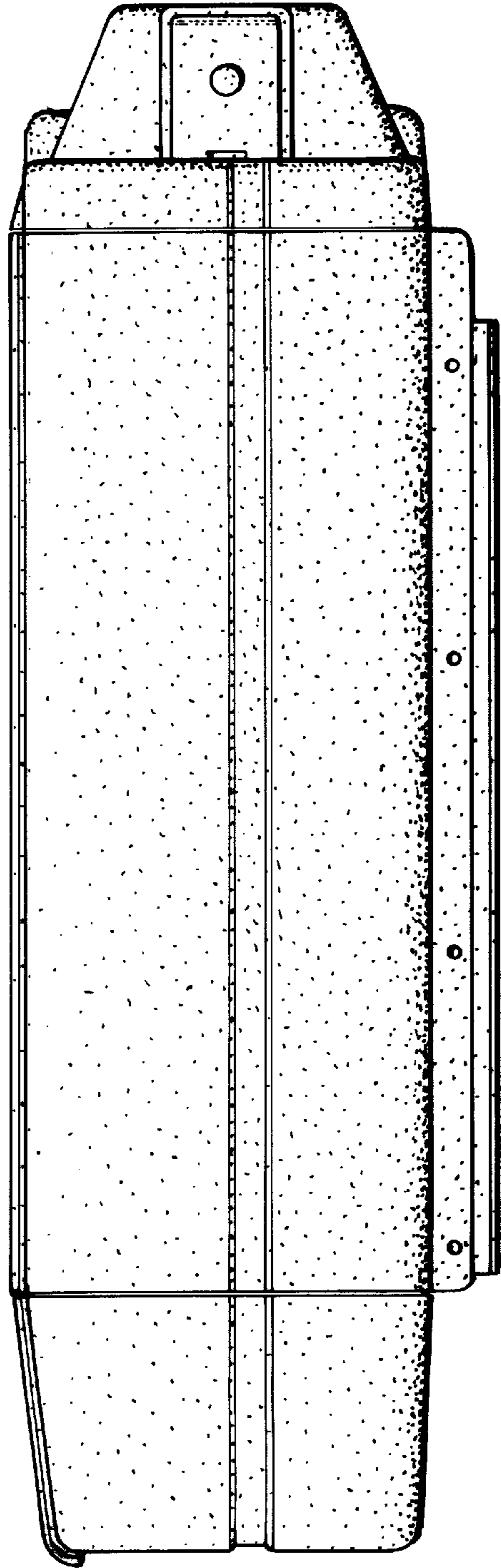


FIG. 8

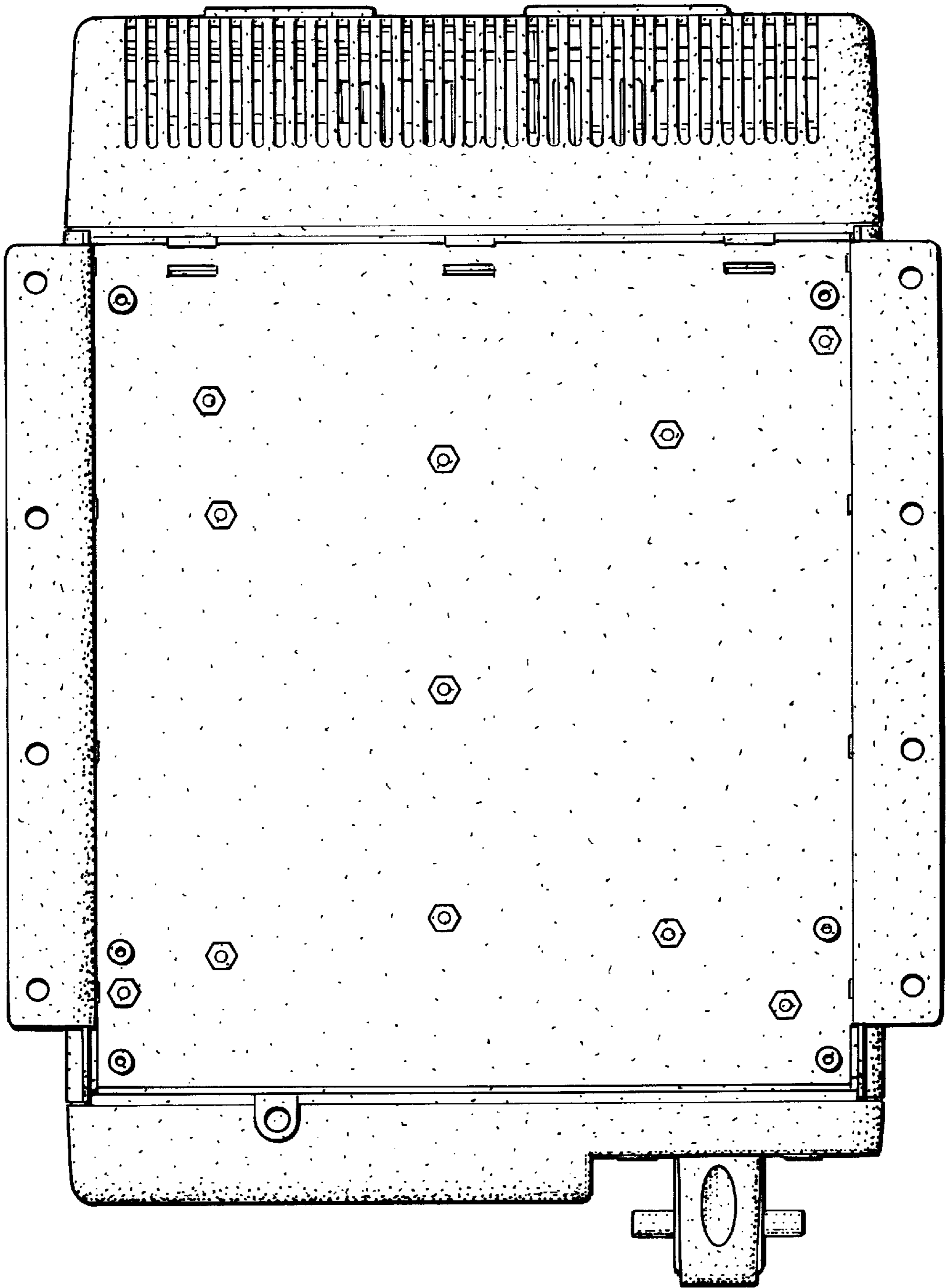


FIG. 7

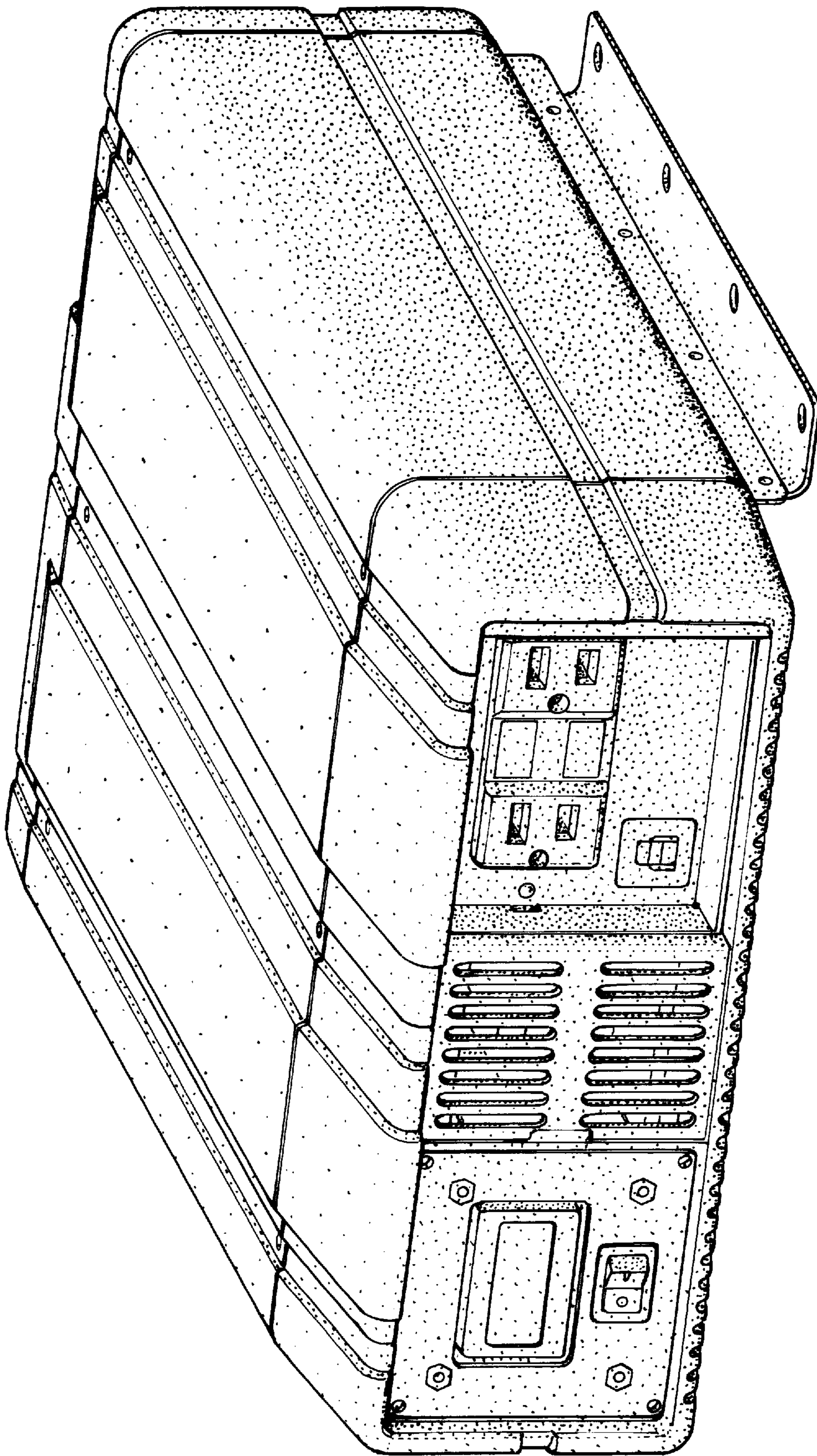


FIG. 9

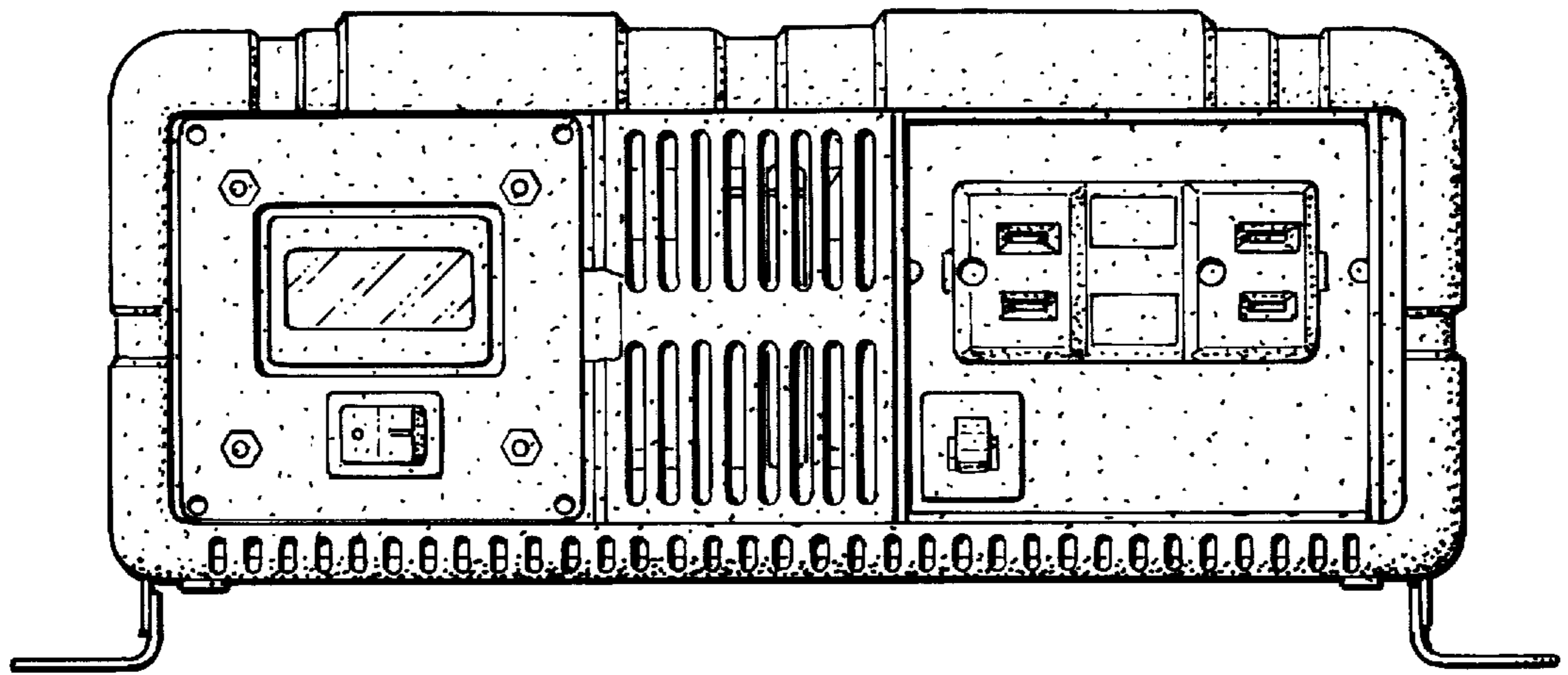


FIG. 10