



US00D413566S

United States Patent [19] McCombs

[11] Patent Number: **Des. 413,566**

[45] Date of Patent: **** Sep. 7, 1999**

[54] **BATTERY PACK**

[75] Inventor: **Daniel McCombs**, Charlottesville, Va.

[73] Assignee: **MicroAire Surgical Instruments, Inc.**,
Charlottesville, Va.

[**] Term: **14 Years**

[21] Appl. No.: **29/096,083**

[22] Filed: **Nov. 4, 1998**

[51] **LOC (6) Cl.** **13-02**

[52] **U.S. Cl.** **D13/103**

[58] **Field of Search** D13/103; 429/96-100,
429/163, 176

[56] **References Cited**

U.S. PATENT DOCUMENTS

- D. 321,338 11/1991 Sakamoto et al. D13/103
- D. 334,012 3/1993 Chen D13/103

OTHER PUBLICATIONS

The Hall Versipower Plus Instructions Manual; Z; date unknown; pages unknown.

Primary Examiner—Joel Sincavage
Attorney, Agent, or Firm—Whitham, Curtis & Whitham

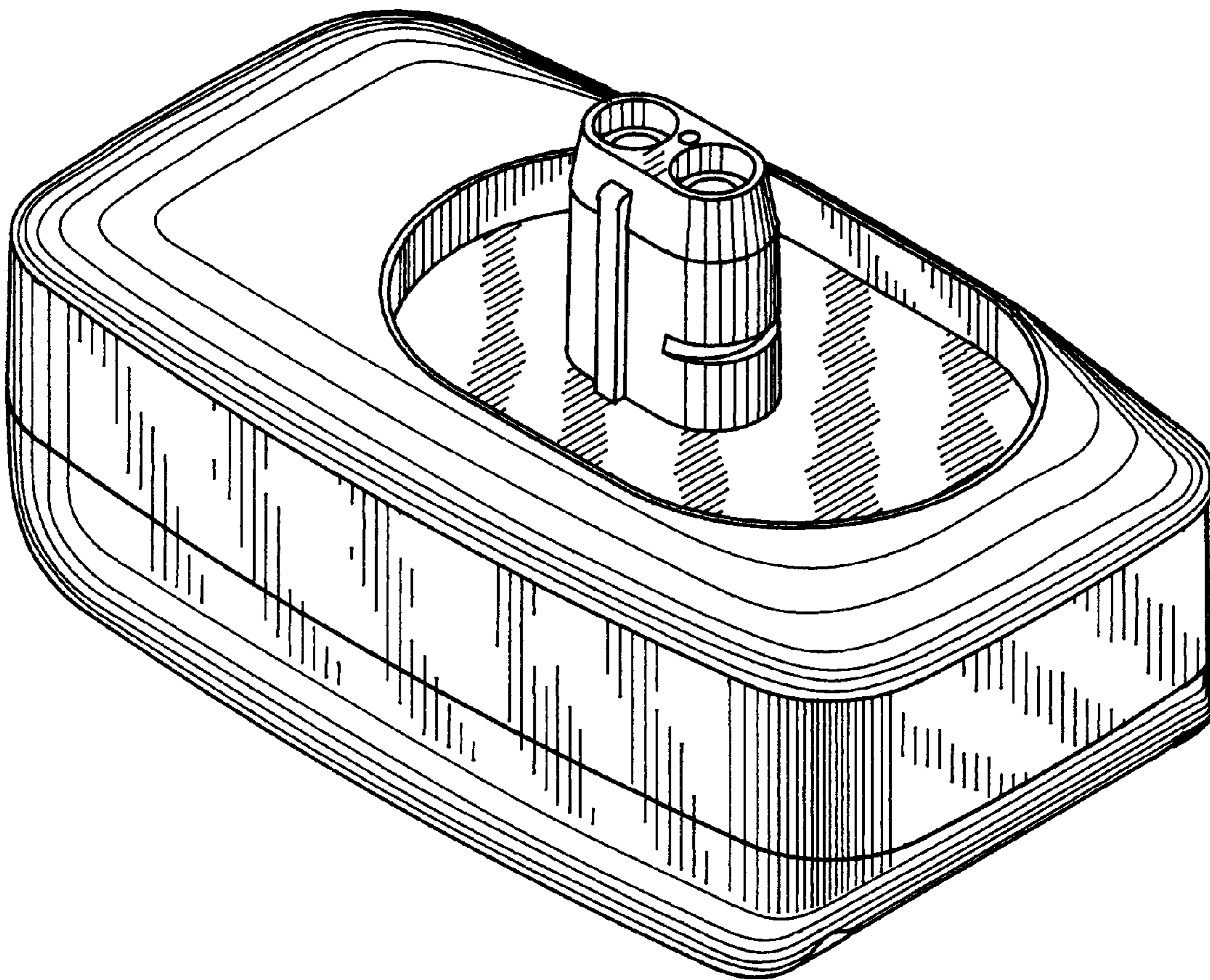
[57] **CLAIM**

I claim the ornamental design for a battery pack, as shown.

DESCRIPTION

FIG. 1 is a front elevational view of a battery pack;
FIG. 2 is a rear elevational view of the battery pack;
FIG. 3 is a right side elevational view of the battery pack;
FIG. 4 is a left side elevational view of the battery pack;
FIG. 5 is a top plan view of the battery pack;
FIG. 6 is a bottom plan view of the battery pack; and,
FIG. 7 is a left perspective view of the battery pack.

1 Claim, 4 Drawing Sheets



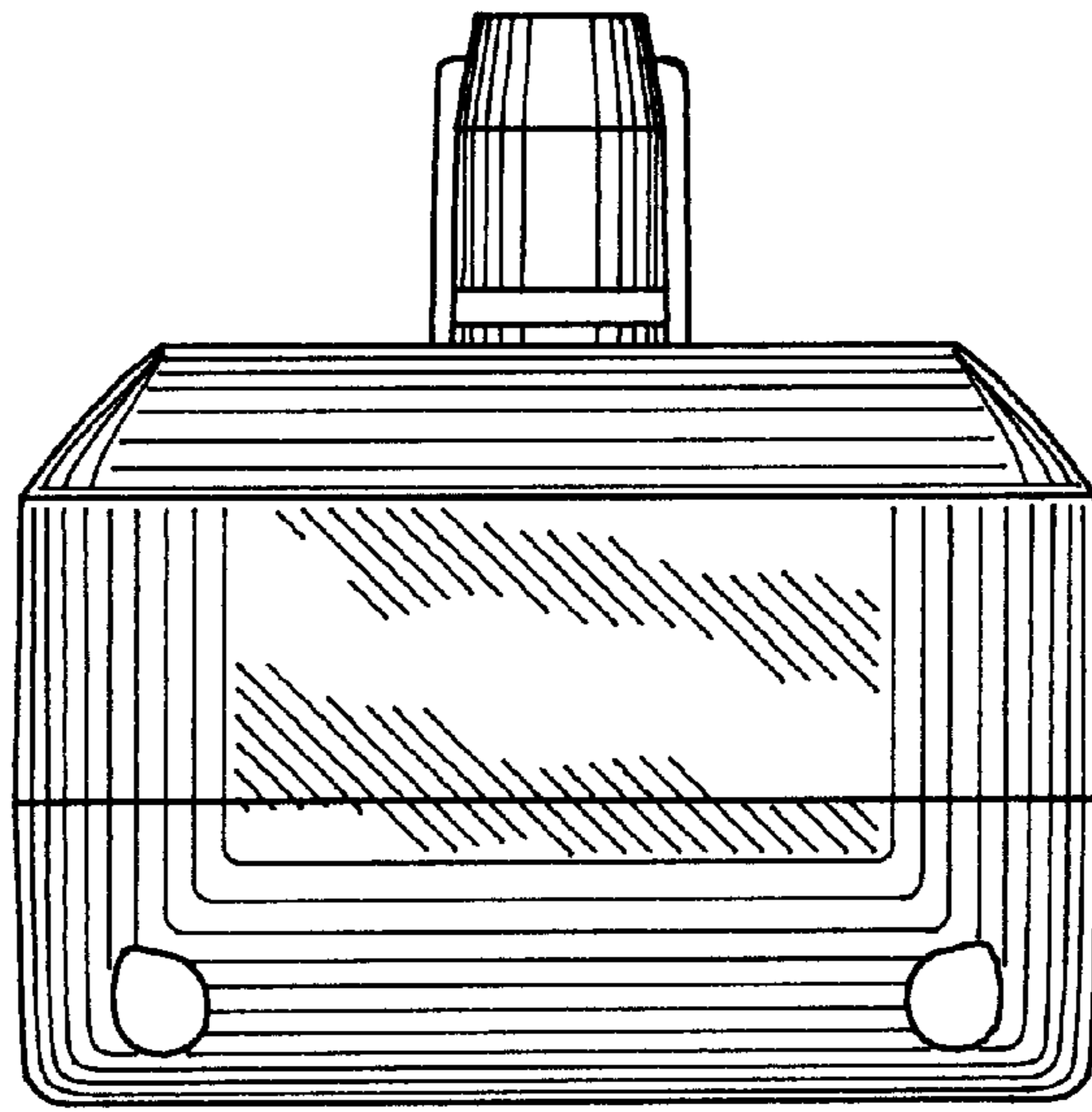


FIG. 1

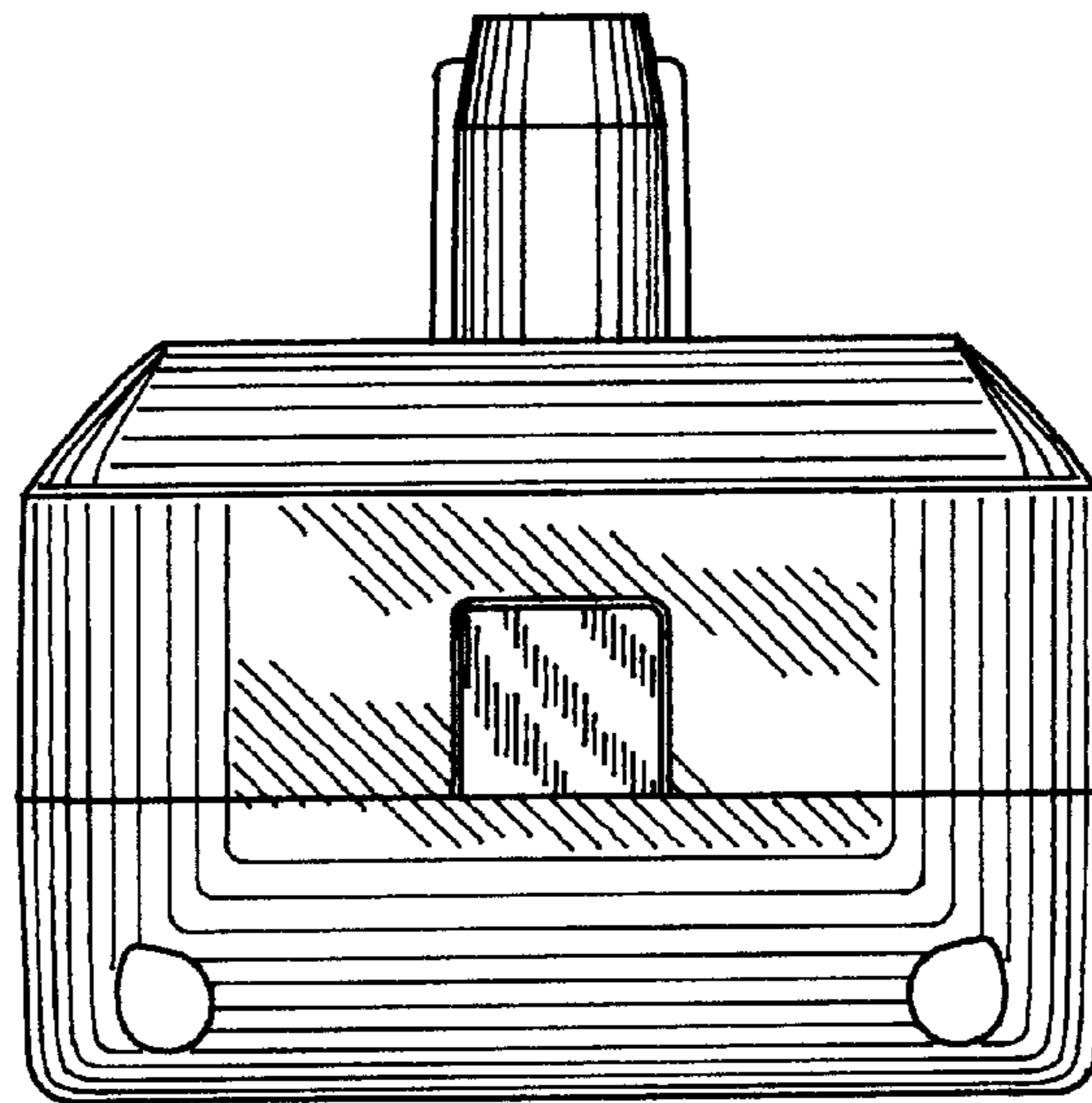


FIG. 2

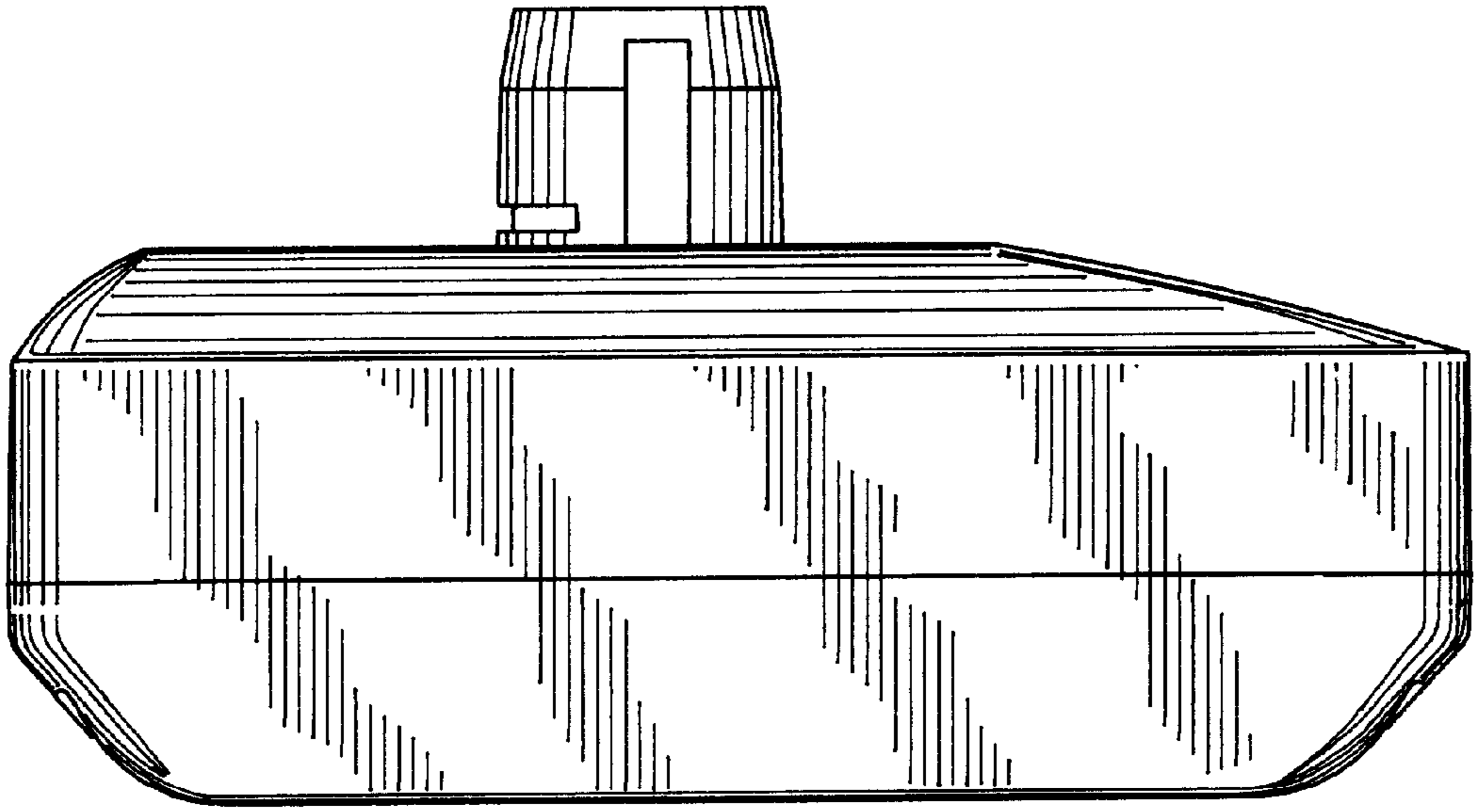


FIG. 3

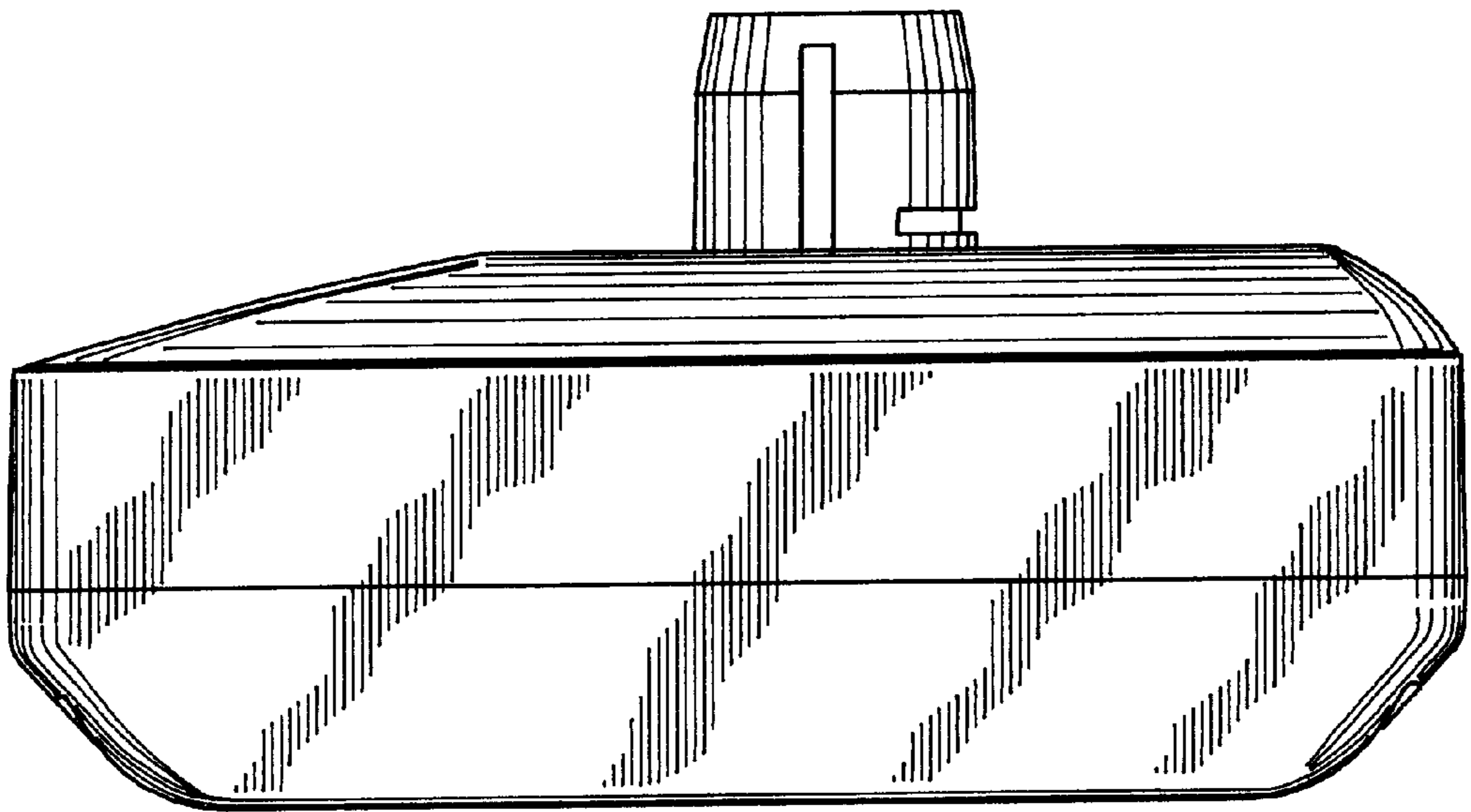


FIG. 4

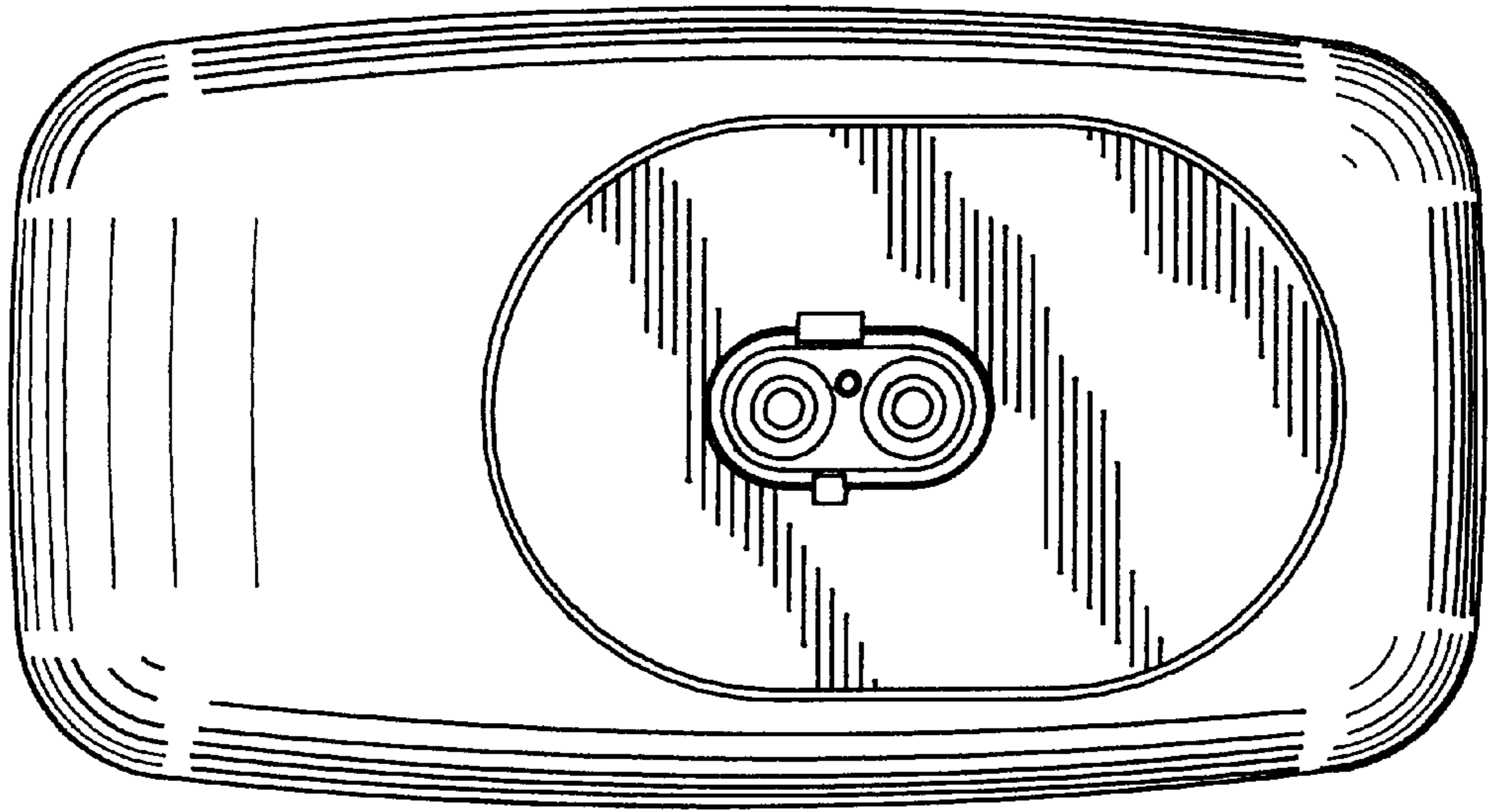


FIG. 5

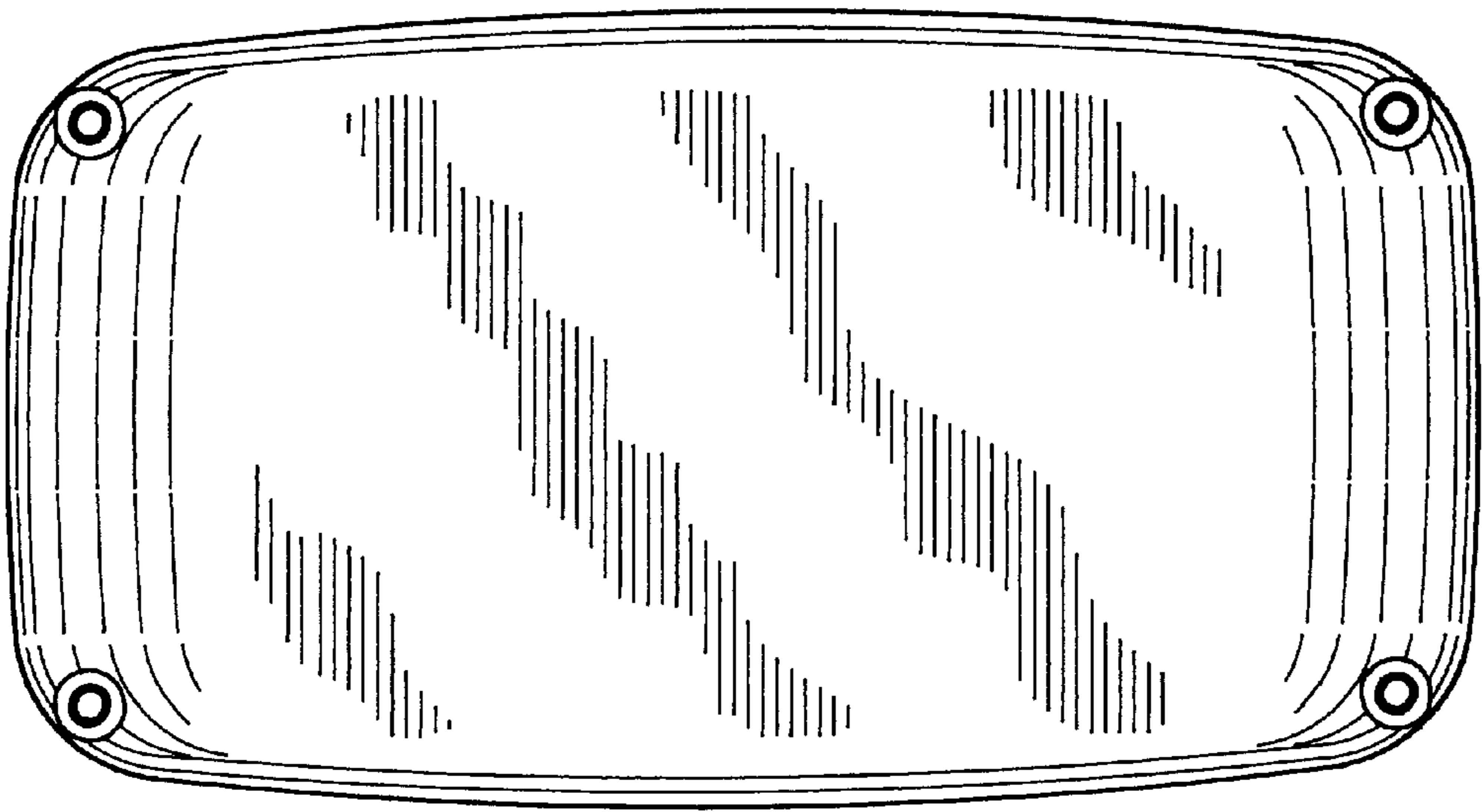


FIG. 6

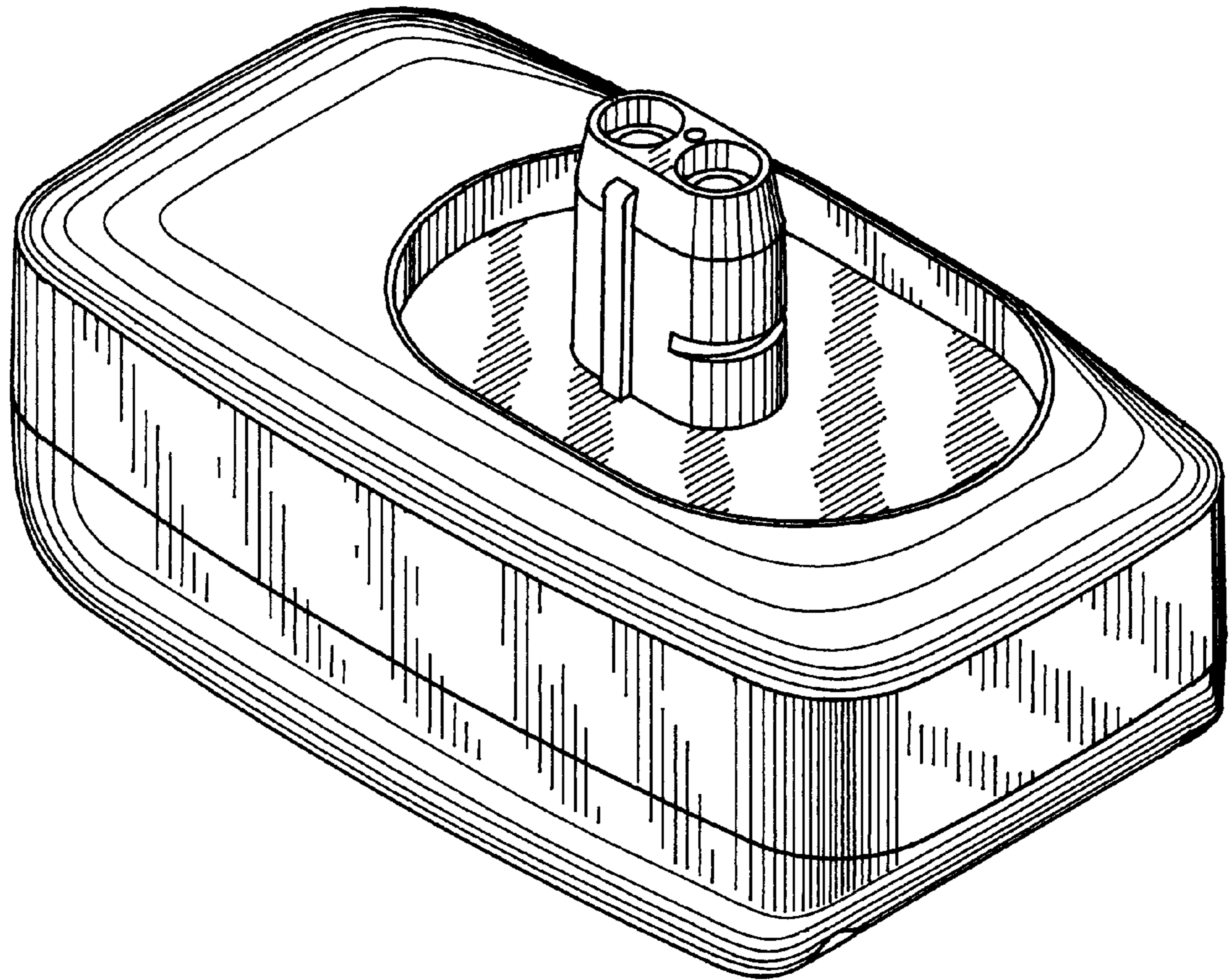


FIG. 7