



US00D413564S

**United States Patent** [19]  
**Hershberger et al.**

[11] **Patent Number: Des. 413,564**  
[45] **Date of Patent: \*\* Sep. 7, 1999**

[54] **RECHARGEABLE BATTERY PACK**

[75] Inventors: **David E. Hershberger**, Paw Paw; **Kris D. Eager**, Richland, both of Mich.

[73] Assignee: **Stryker Corporation**, Kalamazoo, Mich.

[\*\*] Term: **14 Years**

[21] Appl. No.: **29/089,734**

[22] Filed: **Jun. 22, 1998**

[51] **LOC (6) Cl.** ..... **13-02**

[52] **U.S. Cl.** ..... **D13/103**

[58] **Field of Search** ..... D13/103; 429/96-100,  
429/163, 176

[56] **References Cited**

**U.S. PATENT DOCUMENTS**

D. 207,586	5/1967	Rakoey .	
D. 320,974	10/1991	Culbertson .....	D13/103
D. 329,634	9/1992	Mizusugi et al. .	
D. 346,584	5/1994	Taniguchi .	
D. 379,795	6/1997	Pitzen et al. .	
4,147,838	4/1979	Leffingwell .	
4,728,876	3/1988	Mongeon et al. .	
4,751,452	6/1988	Kilmer et al. .	
4,835,410	5/1989	Bhagwat et al. .	
5,089,738	2/1992	Bergqvist et al. .	
5,207,697	5/1993	Carusillo et al. .	

**FOREIGN PATENT DOCUMENTS**

33 17 398 11/1984 Germany .

**OTHER PUBLICATIONS**

3M Maxion™ Cordless Powered Instrument System, Assembly, Operation & Maintenance Manual, pp. 1-24, 1997.

Dyonics, Cordless 200 Reamer, Feb. 1984 (2 pages).

Acculan, AESCULAP® (4 pages), 1997.

*Primary Examiner*—Joel Sincavage

*Attorney, Agent, or Firm*—Flynn, Thiel, Boutell & Tanis, P.C.

[57] **CLAIM**

The ornamental design for a rechargeable battery pack, as shown and described.

**DESCRIPTION**

FIG. 1 is a front perspective view of the rechargeable batter pack of our design;

FIG. 2 is a top view thereof;

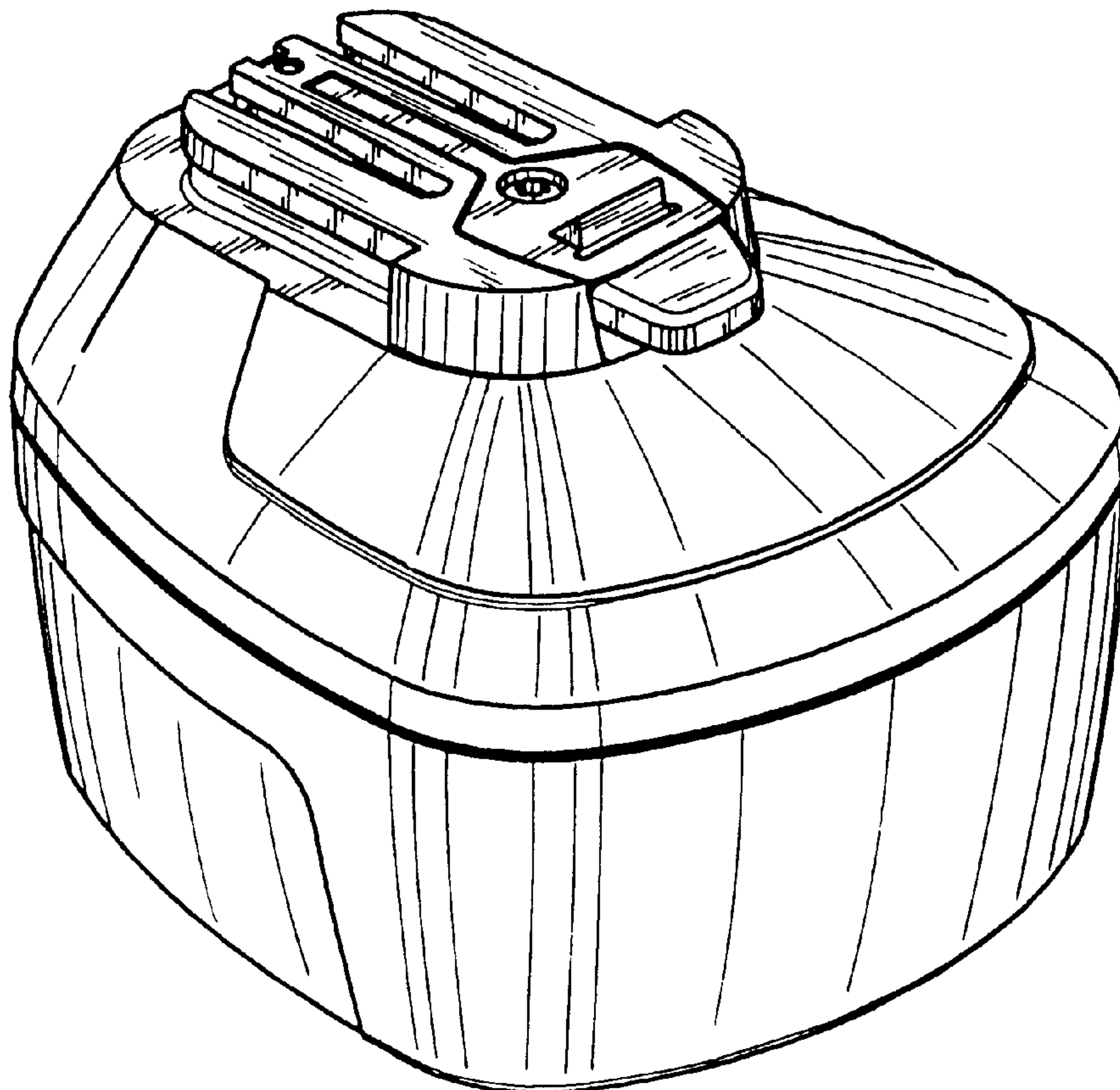
FIG. 3 is a bottom view thereof;

FIG. 4 is a right side view thereof, the left side view being a mirror image of the right side view;

FIG. 5 is a front view thereof; and,

FIG. 6 is a rear view thereof.

**1 Claim, 3 Drawing Sheets**



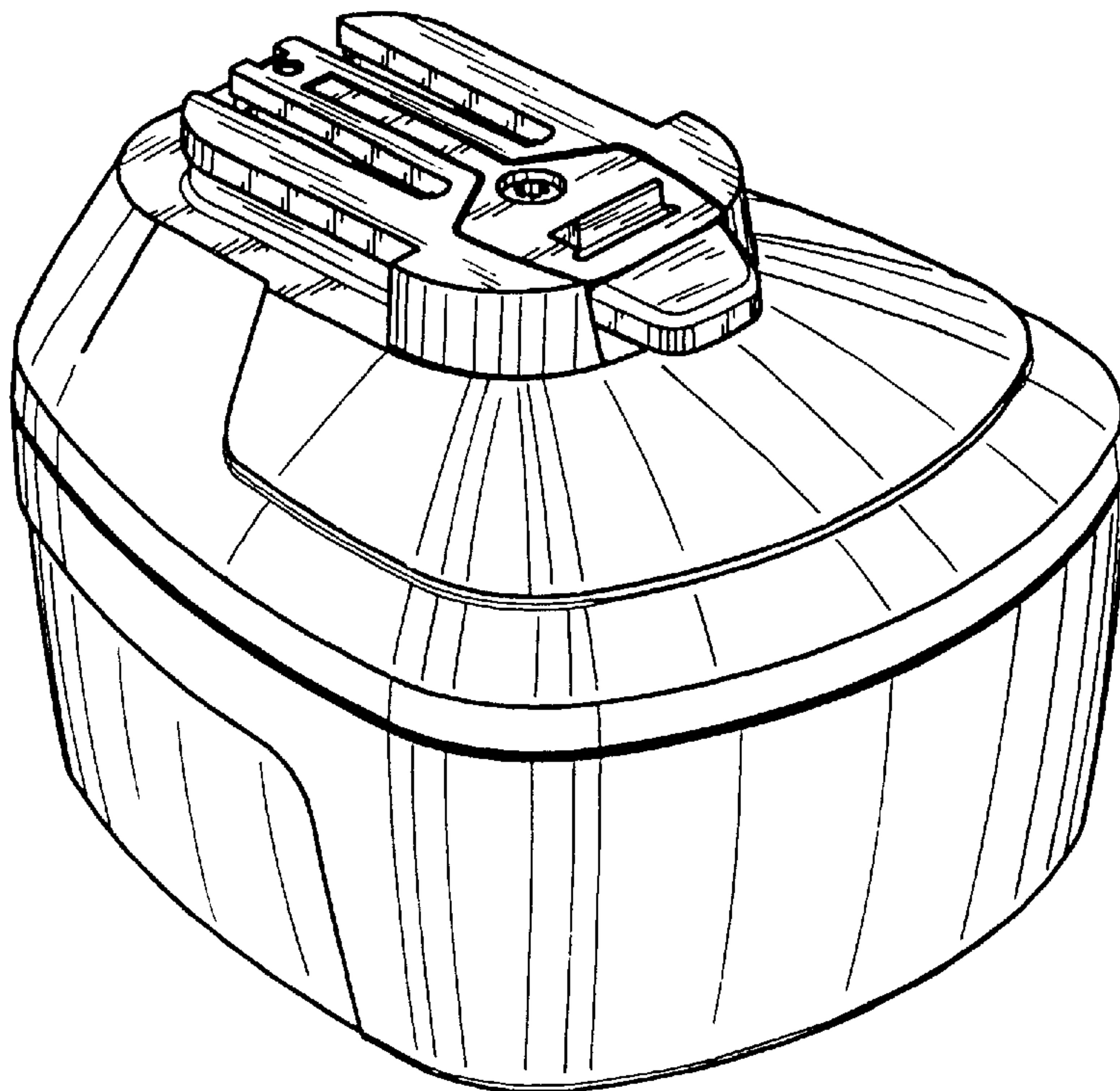


FIG. 1

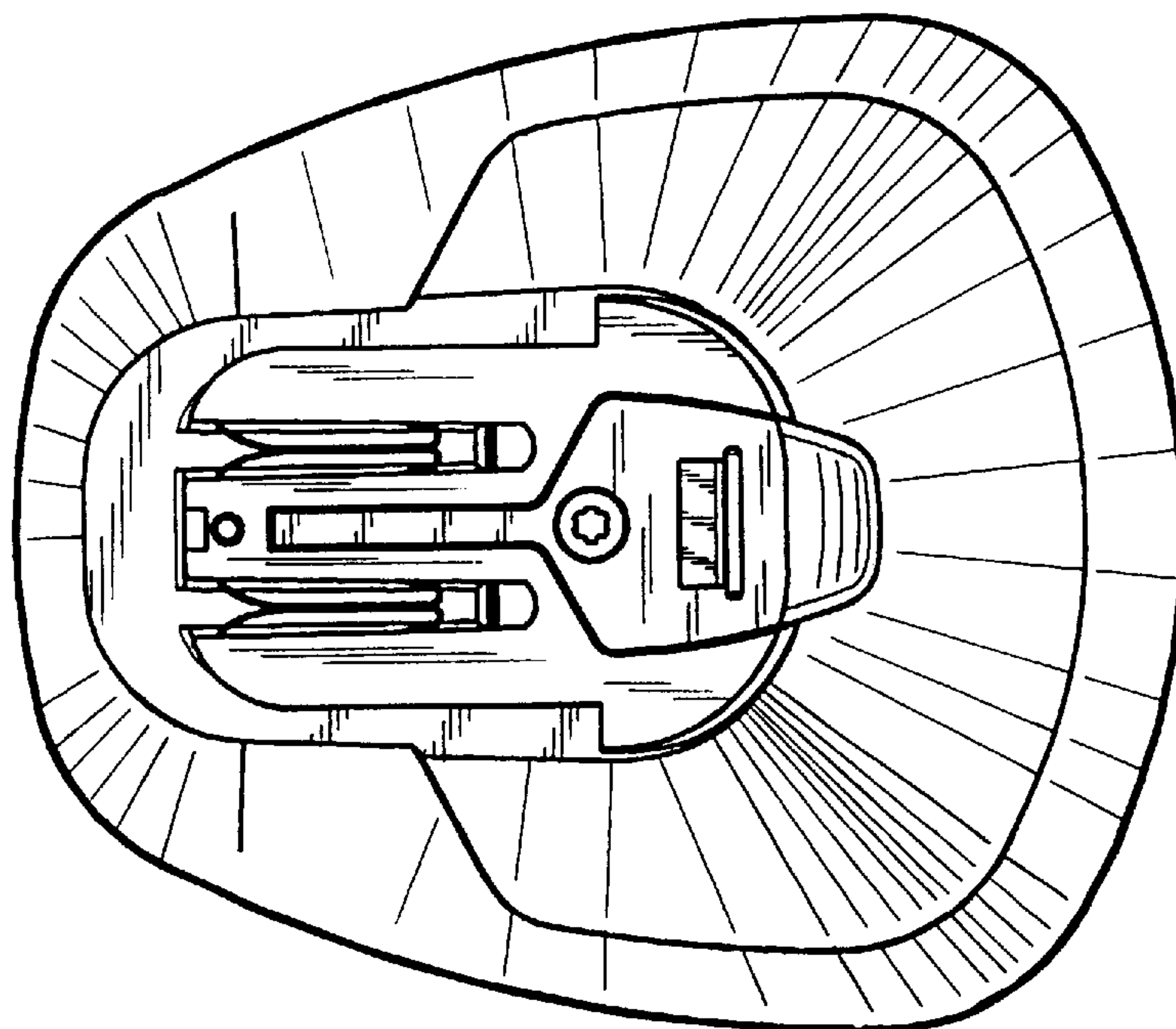


FIG. 2

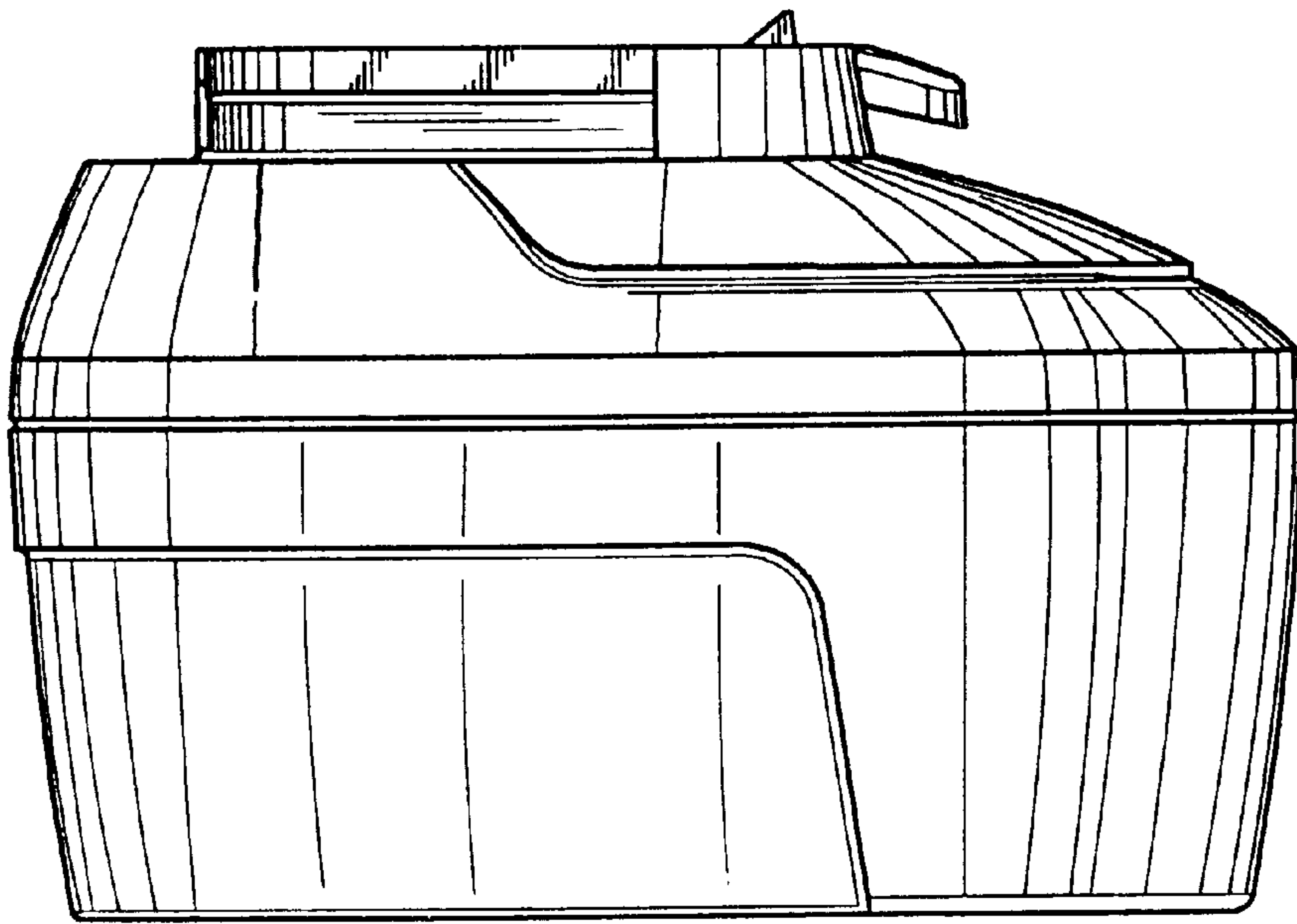


FIG. 4

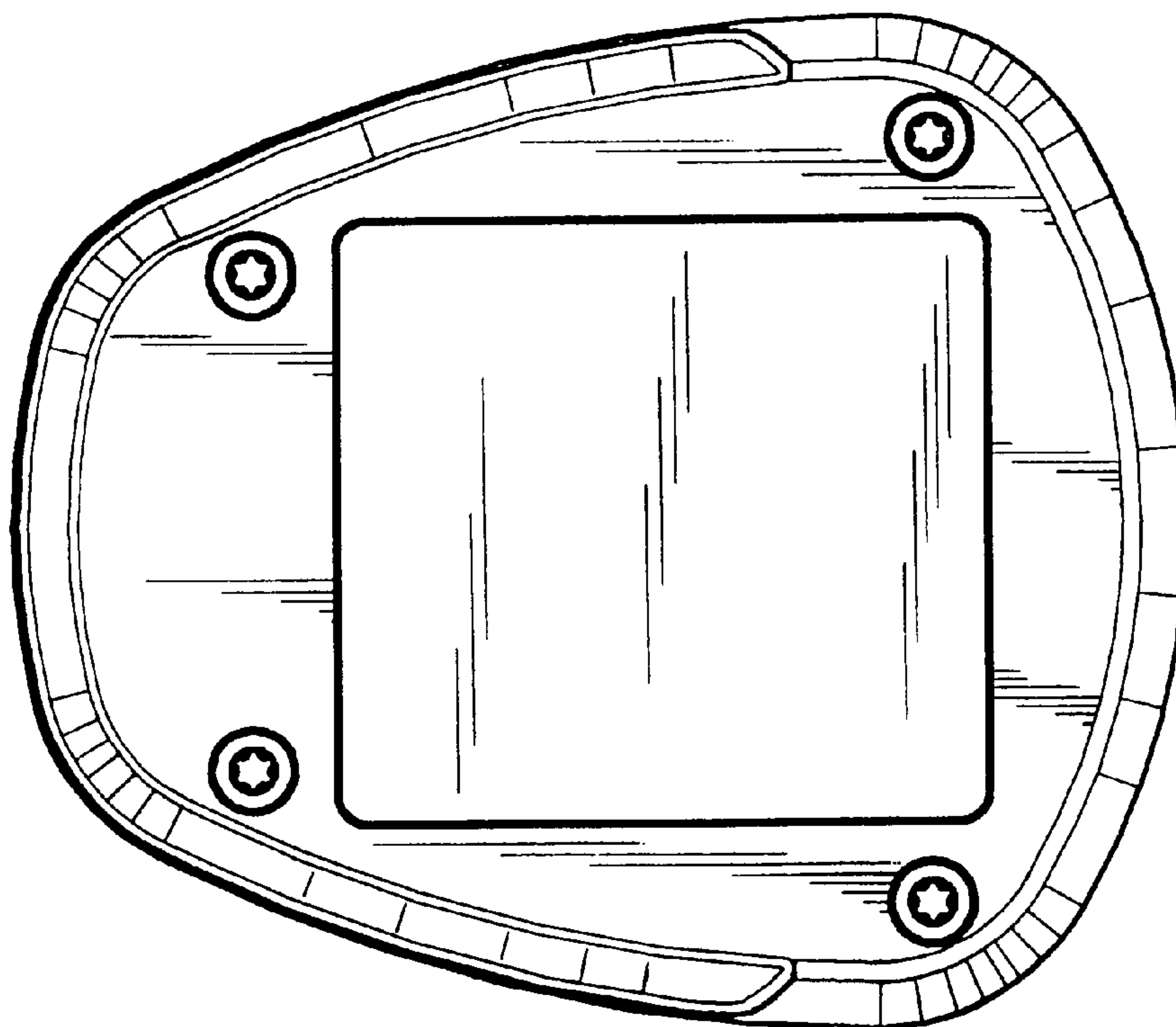


FIG. 3

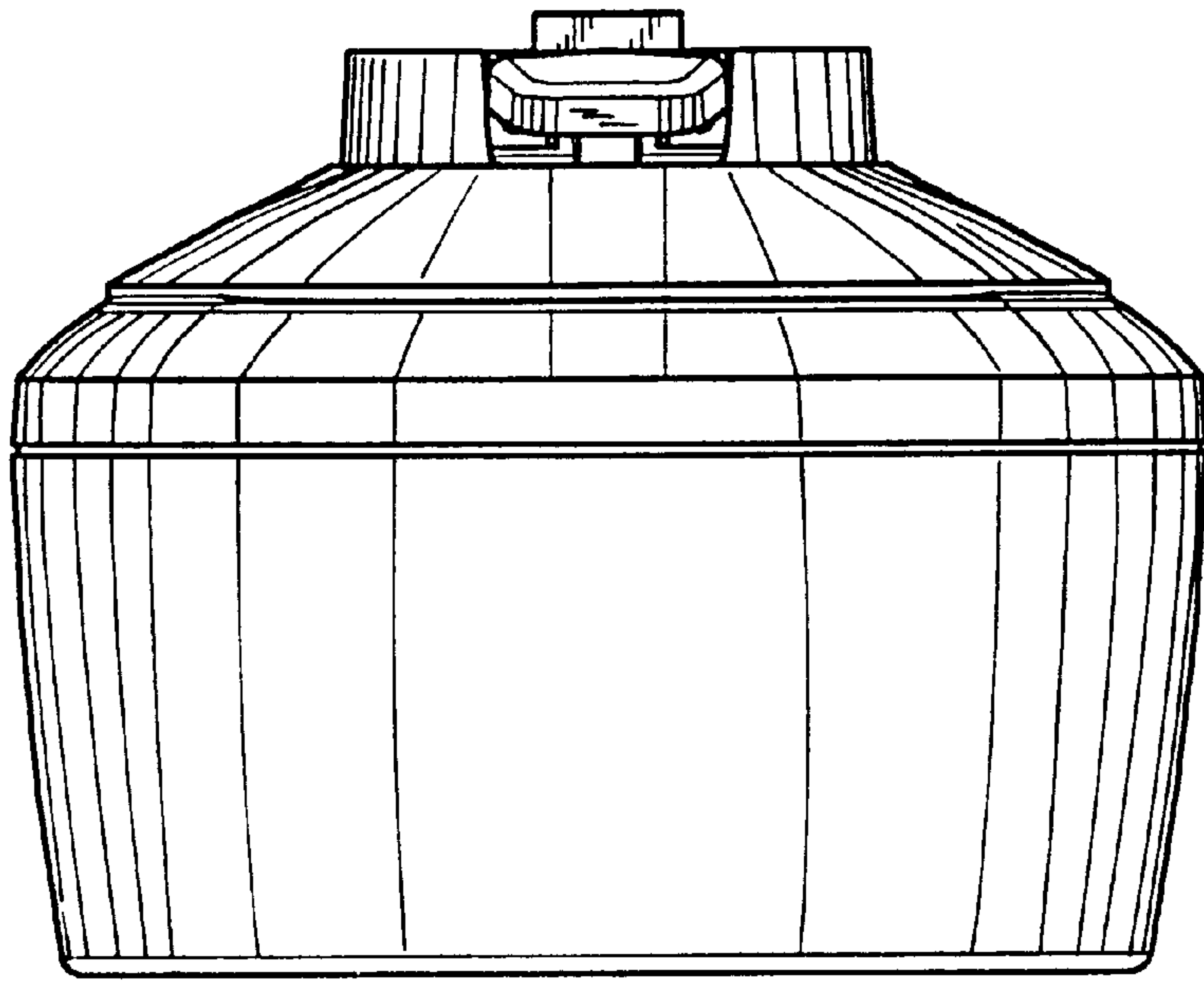


FIG. 5

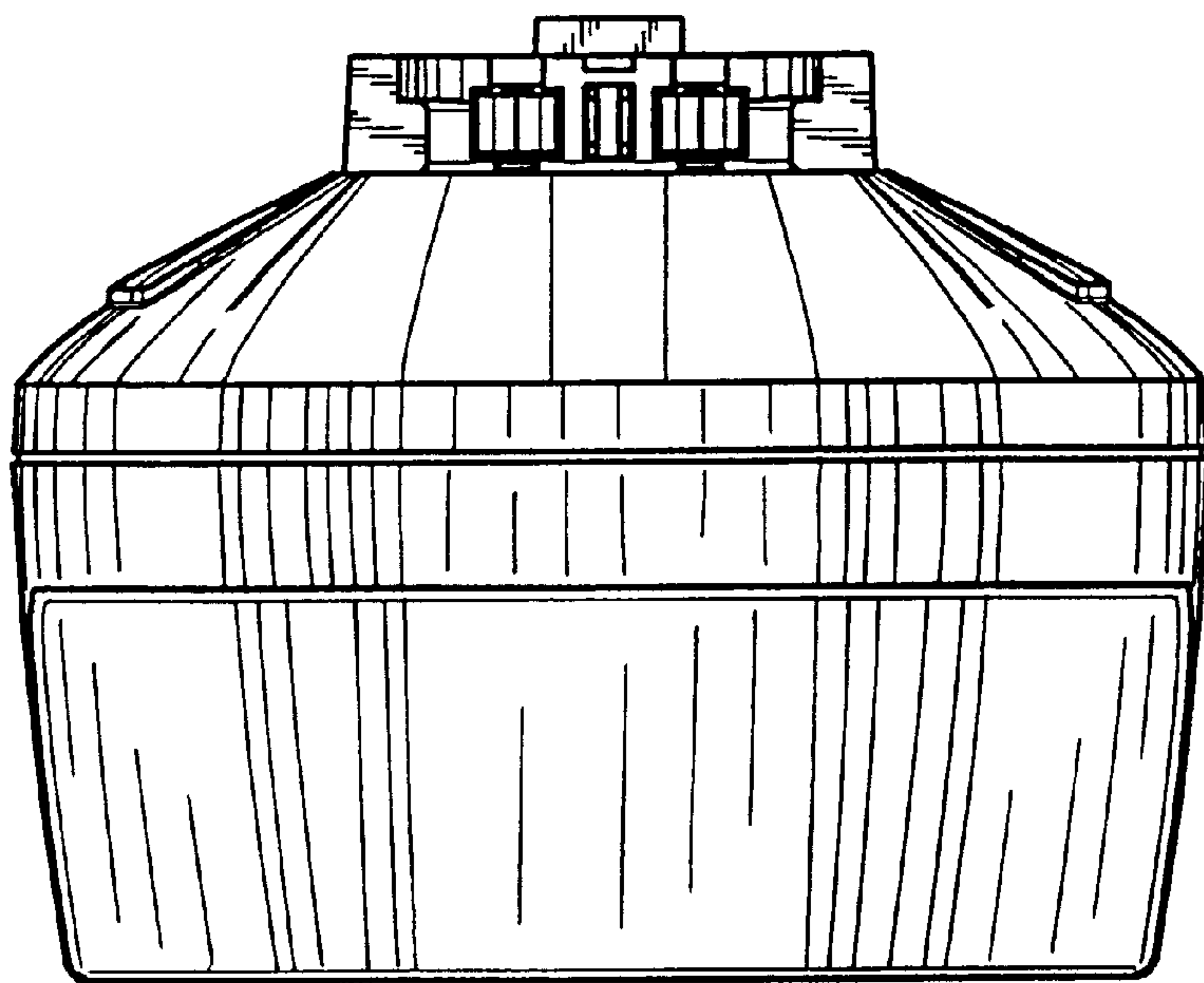


FIG. 6