



US00D413563S

United States Patent [19]
Gravenstreter

[11] **Patent Number: Des. 413,563**

[45] **Date of Patent: ** Sep. 7, 1999**

[54] **VEHICLE CUPHOLDER**

[75] Inventor: **Noel P. Gravenstreter**, Clarkston, Mich.

[73] Assignee: **DaimlerChrysler Corporation**, Auburn Hills, Mich.

[**] Term: **14 Years**

[21] Appl. No.: **29/088,505**

[22] Filed: **May 26, 1998**

[51] **LOC (6) Cl.** **12-16**

[52] **U.S. Cl.** **D12/419**

[58] **Field of Search** D12/415-419,
D12/423-425; 224/536-539; 296/37.1;
D7/553.3-553.5

[56] **References Cited**

U.S. PATENT DOCUMENTS

D. 327,364	6/1992	Mankey	D12/419
D. 328,521	8/1992	Sletvold	D12/419
D. 335,767	5/1993	Yates	D12/419 X
D. 362,837	10/1995	Mankey et al.	D12/419
D. 368,889	4/1996	Mankey et al.	D12/419
D. 374,856	10/1996	Berninger	D12/419
D. 375,719	11/1996	Schlangen et al.	D12/419
D. 388,050	12/1997	Diem	D12/419

D. 390,186	2/1998	Smith	D12/419
D. 396,844	8/1998	Smith	D12/419
5,174,534	12/1992	Mitchell	D12/419 X

Primary Examiner—Doris V. Coles
Assistant Examiner—Stacia Sinuik
Attorney, Agent, or Firm—Roland A. Fuller, III

[57] **CLAIM**

The ornamental design for a vehicle cupholder, as shown and described.

DESCRIPTION

FIG. 1 is a perspective view of the vehicle cupholder in accordance with the present invention.

FIG. 2 is a top elevation view of the vehicle cupholder of FIG. 1.

FIG. 3 is the bottom elevation view of FIG. 1.

FIG. 4 is a longitudinal side elevation view of FIG. 1.

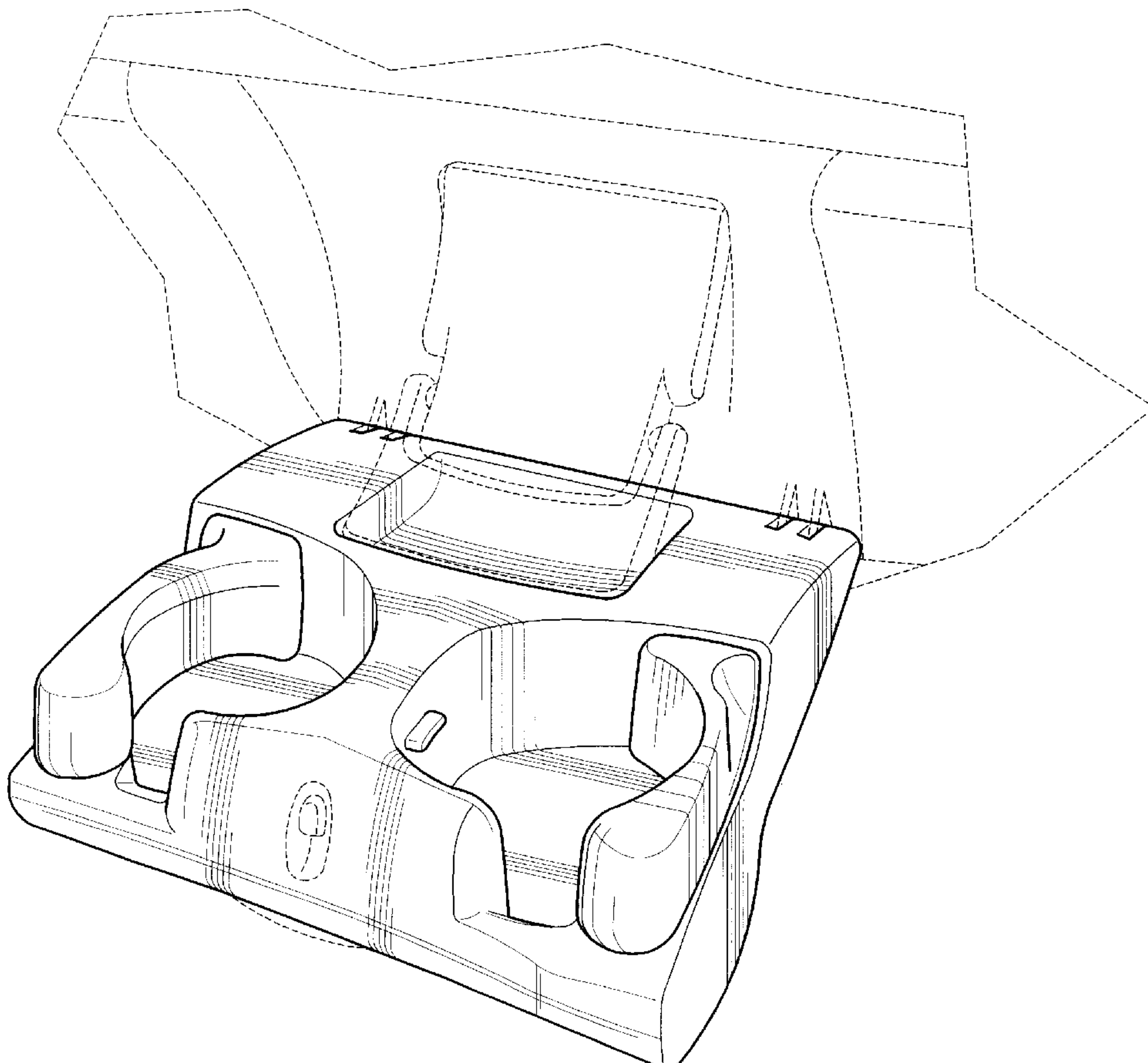
FIG. 5 is an elevation view of the opposing longitudinal side of FIG. 1.

FIG. 6 is a front elevation view of the vehicle cupholder of FIG. 1; and,

FIG. 7 is a back elevation view of the vehicle cupholder of FIG. 1.

The broken line showing of environment is for illustrative purposes only and forms no part of the claimed design.

1 Claim, 3 Drawing Sheets



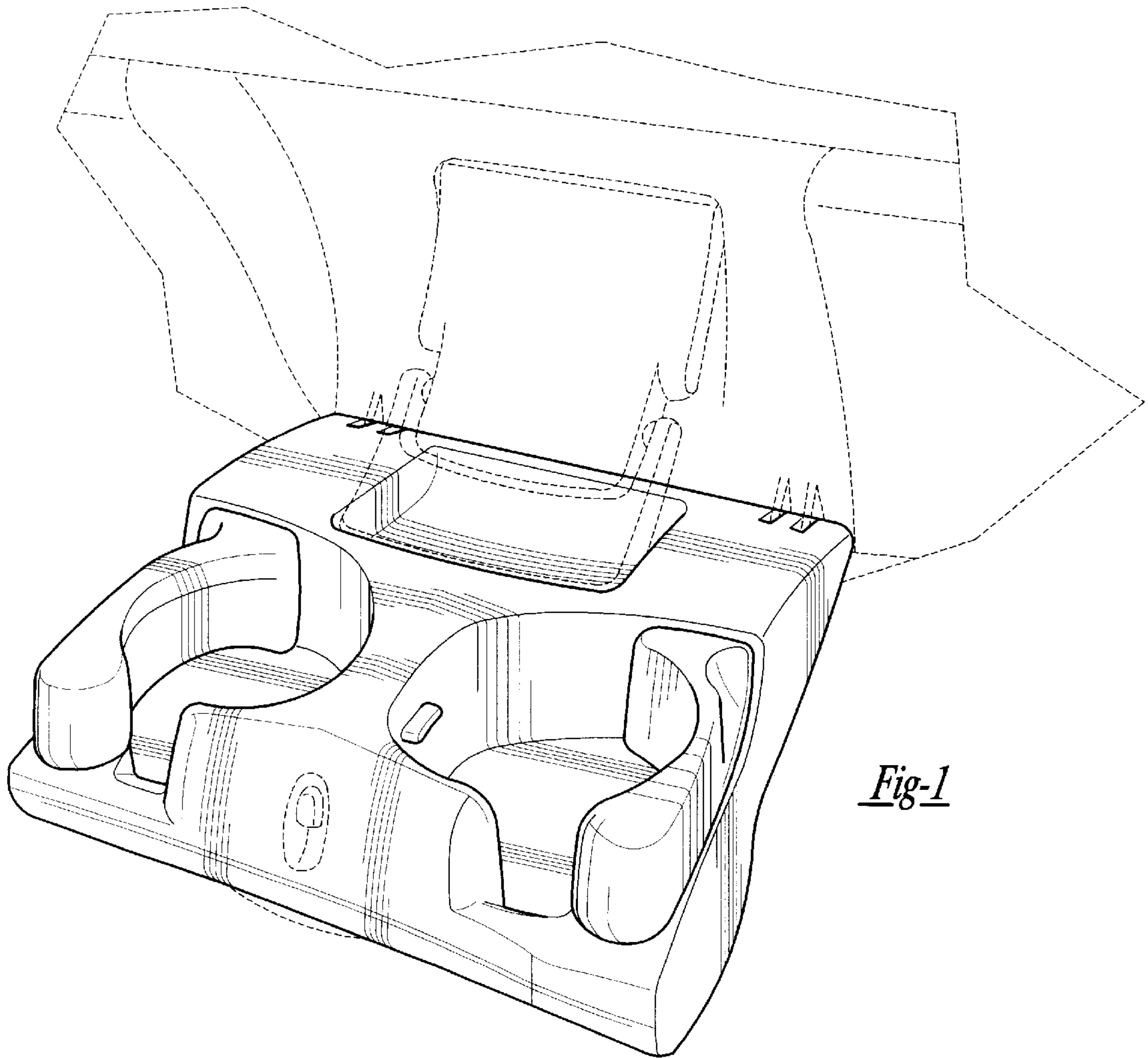


Fig-1

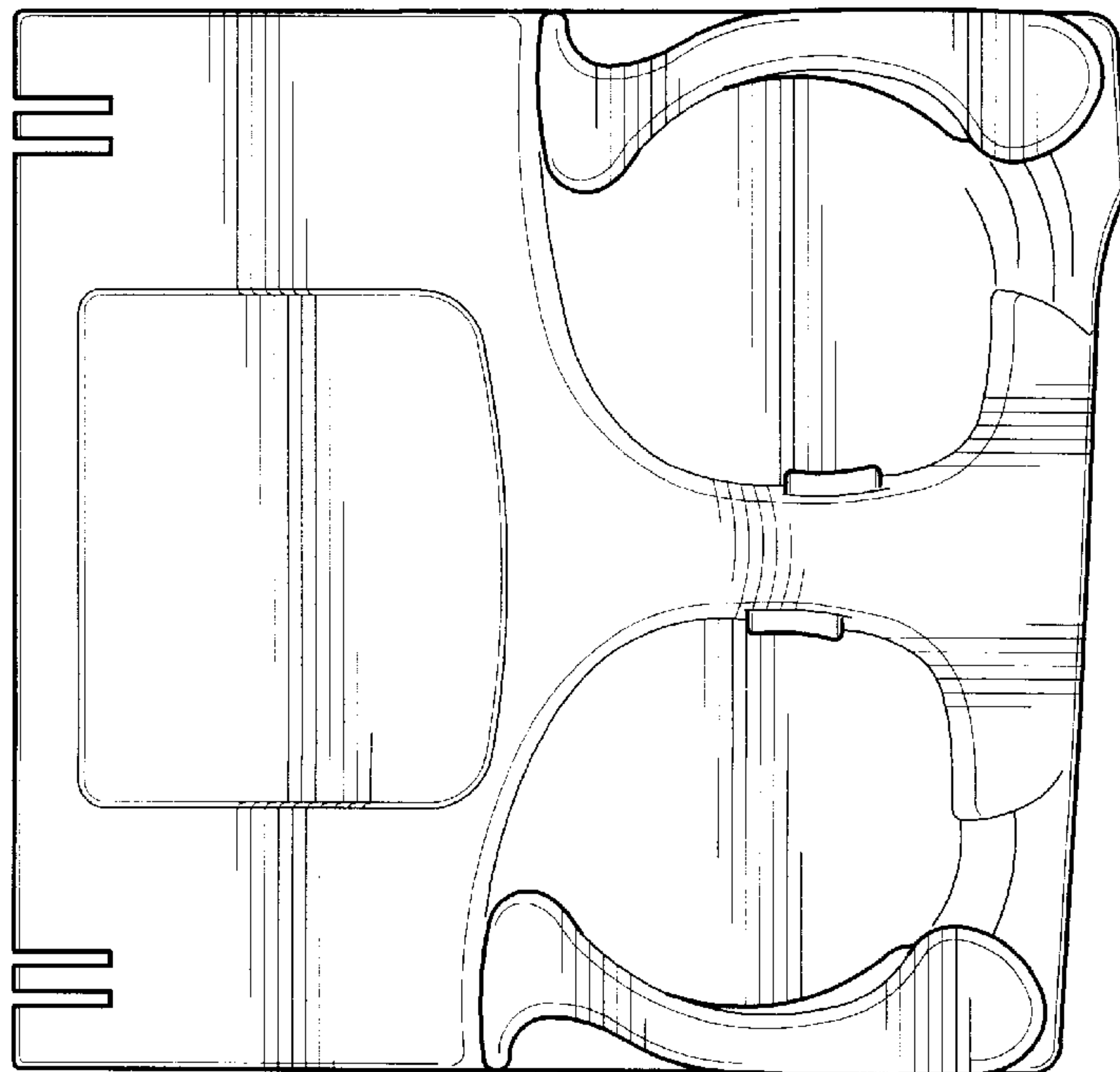


Fig-2

Fig-3

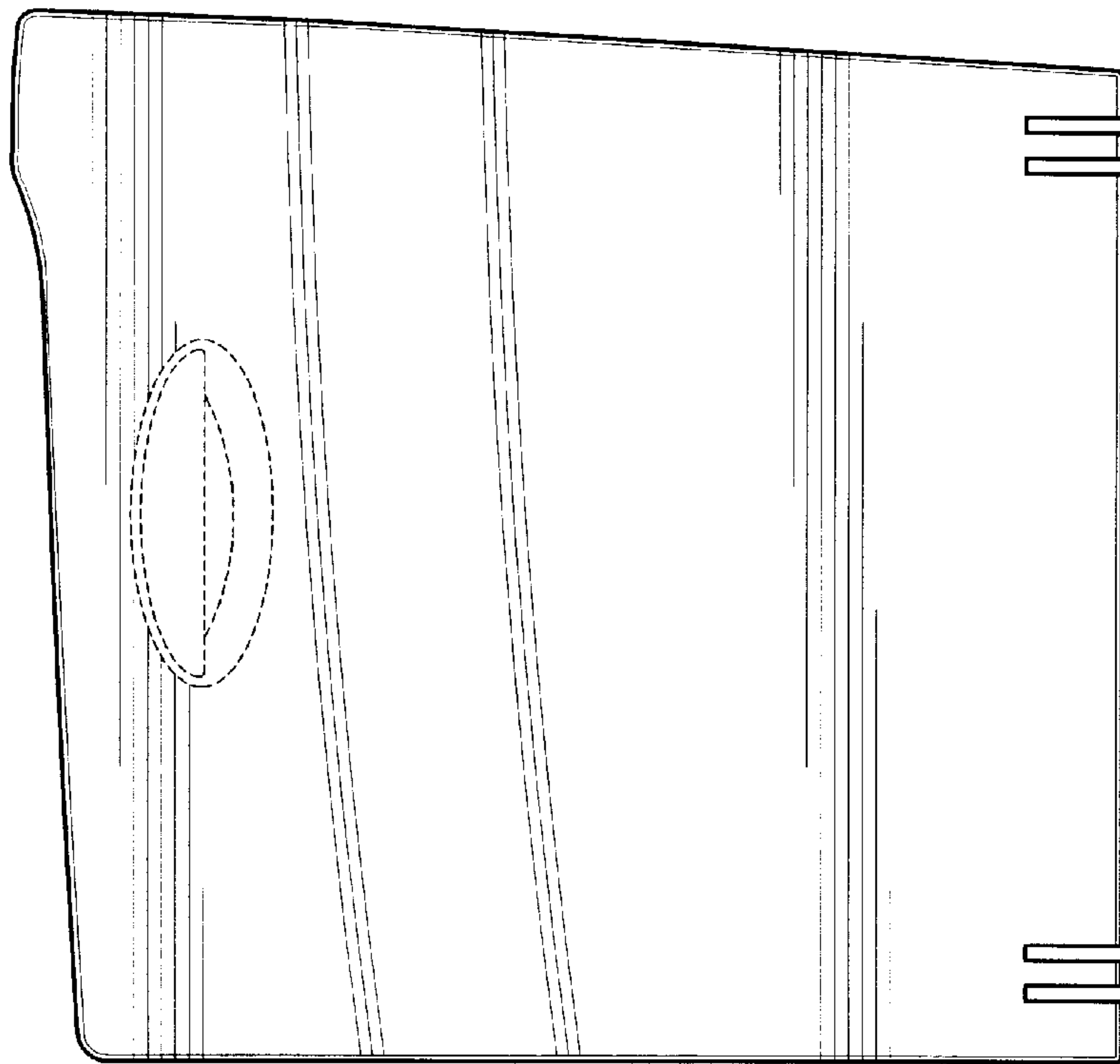


Fig-4

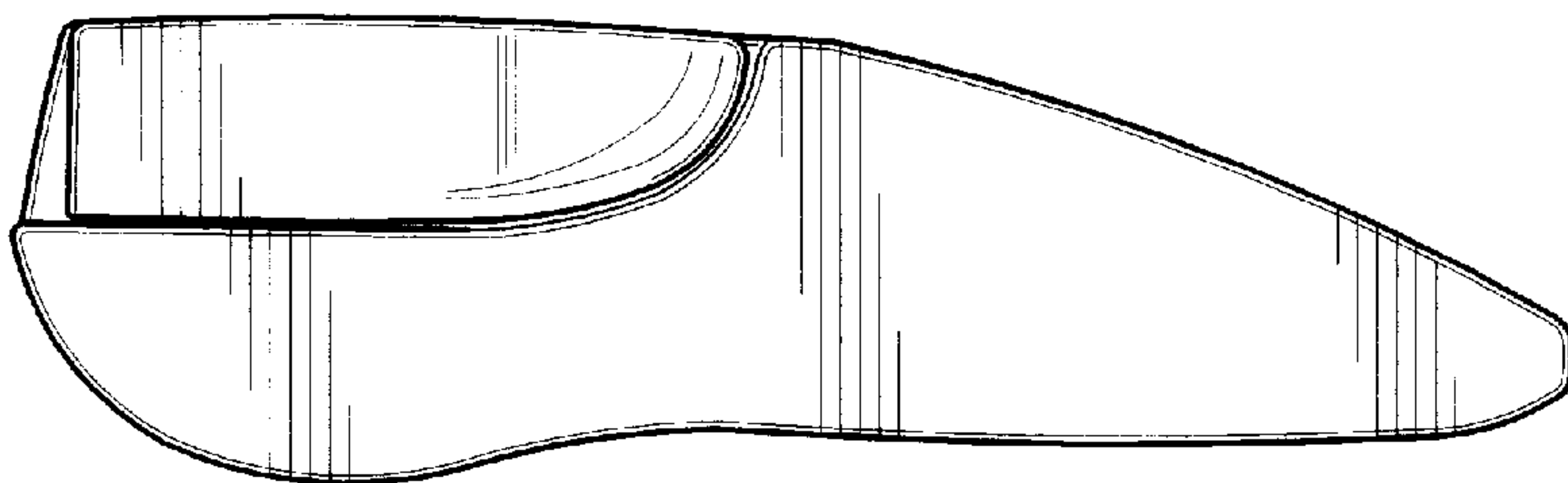
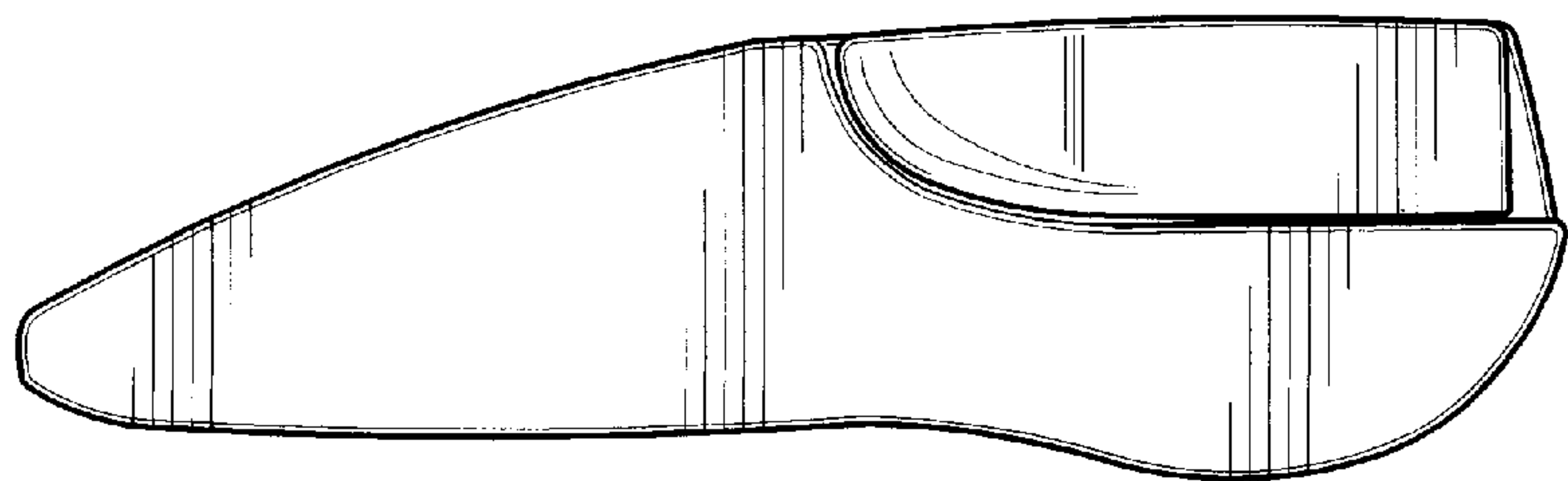


Fig-5



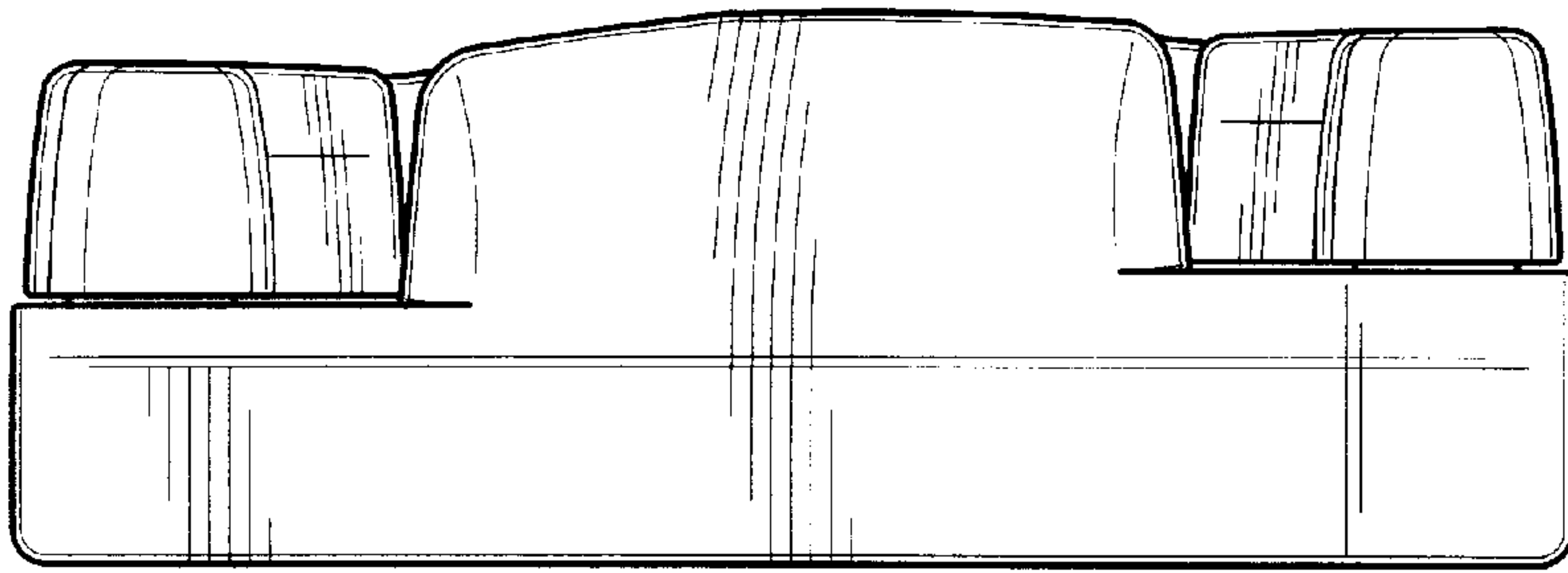


Fig-6

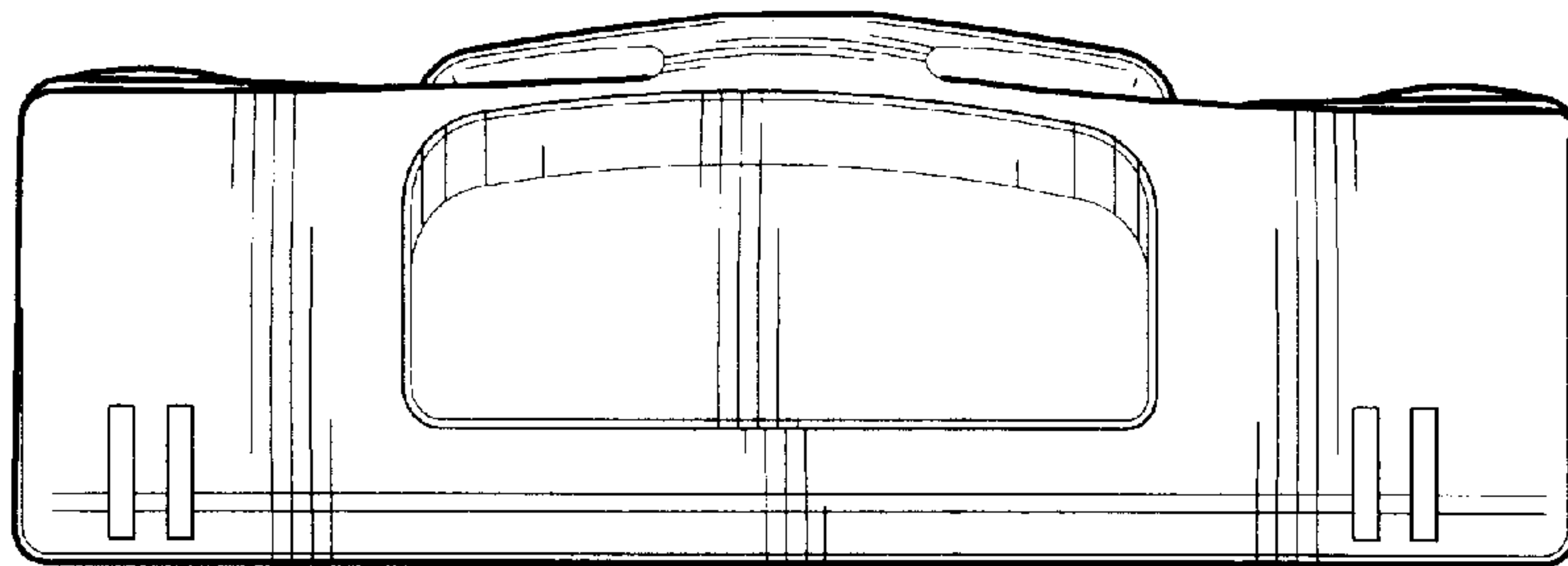


Fig-7