



US00D413562S

United States Patent [19]

[11] Patent Number: Des. 413,562

Van Dusen et al.

[45] Date of Patent: ** Sep. 7, 1999

[54] EXTENDIBLE BASKET CARRIER FOR VEHICLE ROOF RACK

[75] Inventors: **Donn Van Dusen**, Marysville; **Greg A. Bauer**, Sacramento, both of Calif.

[73] Assignee: **Bauer Industries**, Sacramento, Calif.

[**] Term: **14 Years**

[21] Appl. No.: **29/085,796**

[22] Filed: **Mar. 30, 1998**

[51] **LOC (6) Cl.** **12-16**

[52] **U.S. Cl.** **D12/412**

[58] **Field of Search** D12/401, 406, D12/412; 296/3, 100, 37.1, 37.7; 224/309-310, 315, 323, 325-329, 321, 400; 280/760, 848, 727, 762, 769; D6/552, 556; D3/304-306

[56] References Cited

U.S. PATENT DOCUMENTS

D. 181,747	12/1957	Pawly et al.	D12/412
D. 181,748	12/1957	Pawly et al.	D12/412
D. 182,705	5/1958	Binding	D12/412
D. 201,013	5/1965	Duer	D12/412
D. 222,238	10/1971	Rehrig	D3/304
D. 239,618	4/1976	Duer et al.	D12/412
D. 246,238	11/1977	Boas	D12/412
D. 252,961	9/1979	Carroll et al.	D3/304
D. 288,193	2/1987	Caron	D12/412
D. 406,557	3/1999	Bentley	D12/412
2,714,480	8/1955	Harris	224/325 X
3,120,323	2/1964	Sparling	D3/305 X
4,277,008	7/1981	McCleary	280/760 X

Primary Examiner—Doris V. Coles
Assistant Examiner—Stacia Sinuik
Attorney, Agent, or Firm—Heisler & Associates

[57] CLAIM

The ornamental design for an extendible basket carrier for vehicle roof rack, as shown and described.

DESCRIPTION

FIG. 1 is a perspective view of the first embodiment of an extendible basket carrier for vehicle roof rack, showing our new design;

FIG. 2 is an enlarged top plan view thereof;

FIG. 3 is an enlarged front elevation view thereof;

FIG. 4 is an enlarged bottom plan view thereof;

FIG. 5 is an enlarged left side view thereof, it being understood that the right side is a mirror image thereof;

FIG. 6 is an enlarged end view thereof taken along line 6—6 of FIG. 12, it being understood that the opposite end is a mirror image thereof;

FIG. 7 is a perspective view of the center portion of the carrier of FIGS. 12-17 shown separately for ease of illustration;

FIG. 8 is an enlarged top plan view thereof;

FIG. 9 is an enlarged bottom plan view thereof;

FIG. 10 is an enlarged front view thereof;

FIG. 11 is an enlarged left side view thereof, it being understood that the right side is a mirror image thereof;

FIG. 12 is an exploded perspective view of the second embodiment of an extendible basket carrier for vehicle roof rack, showing our new design;

FIG. 13 is a perspective view of the second embodiment;

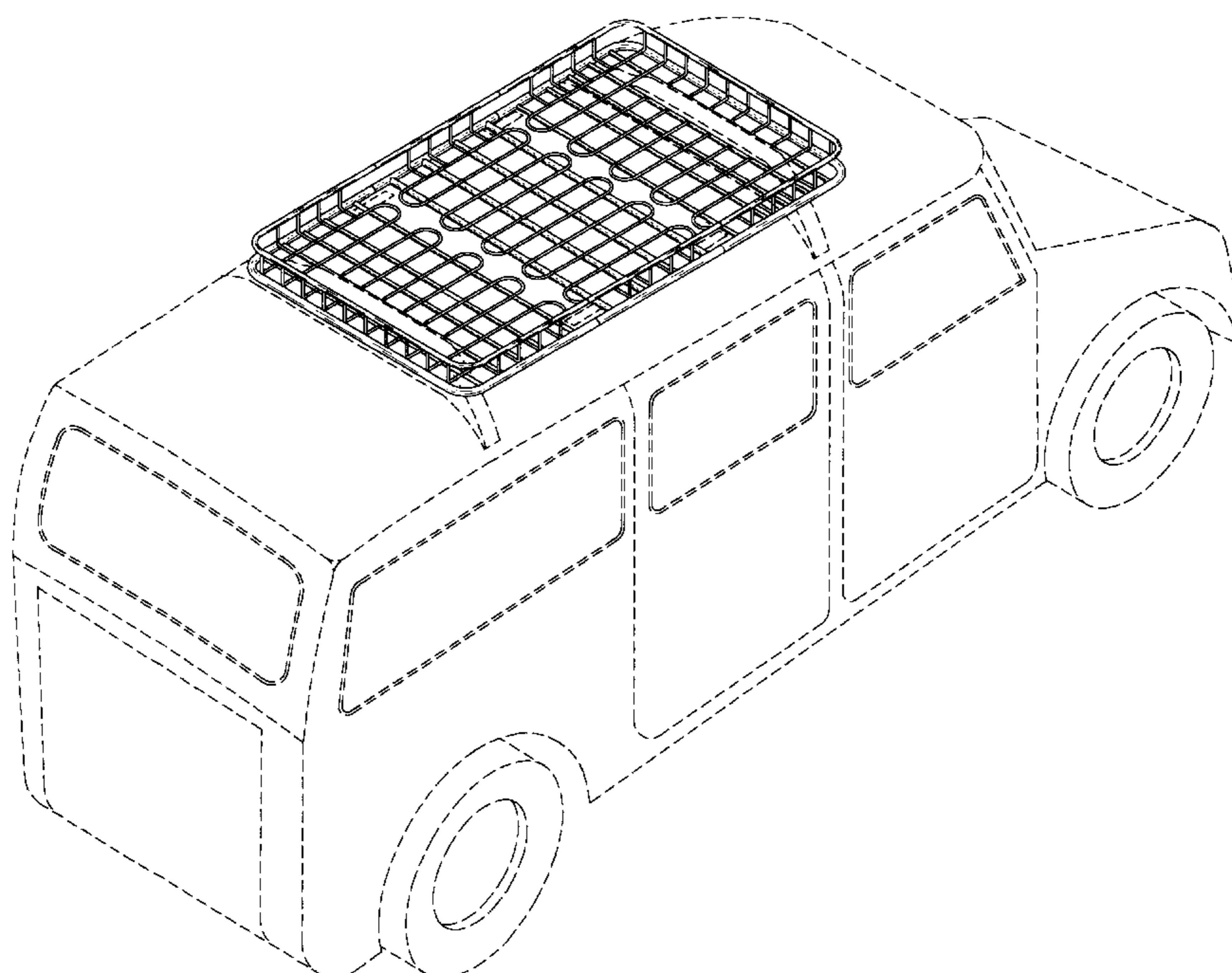
FIG. 14 is an enlarged left side view of FIG. 13, it being understood that the right side is a mirror image thereof;

FIG. 15 is an enlarged top plan view of FIG. 13;

FIG. 16 is an enlarged bottom plan view of FIG. 13; and, FIG. 17 is a reduced perspective view of the carrier of FIG. 13 shown in its position of use.

The broken line showing of environment is for illustrative purposes only and forms no part of the claimed design.

1 Claim, 7 Drawing Sheets



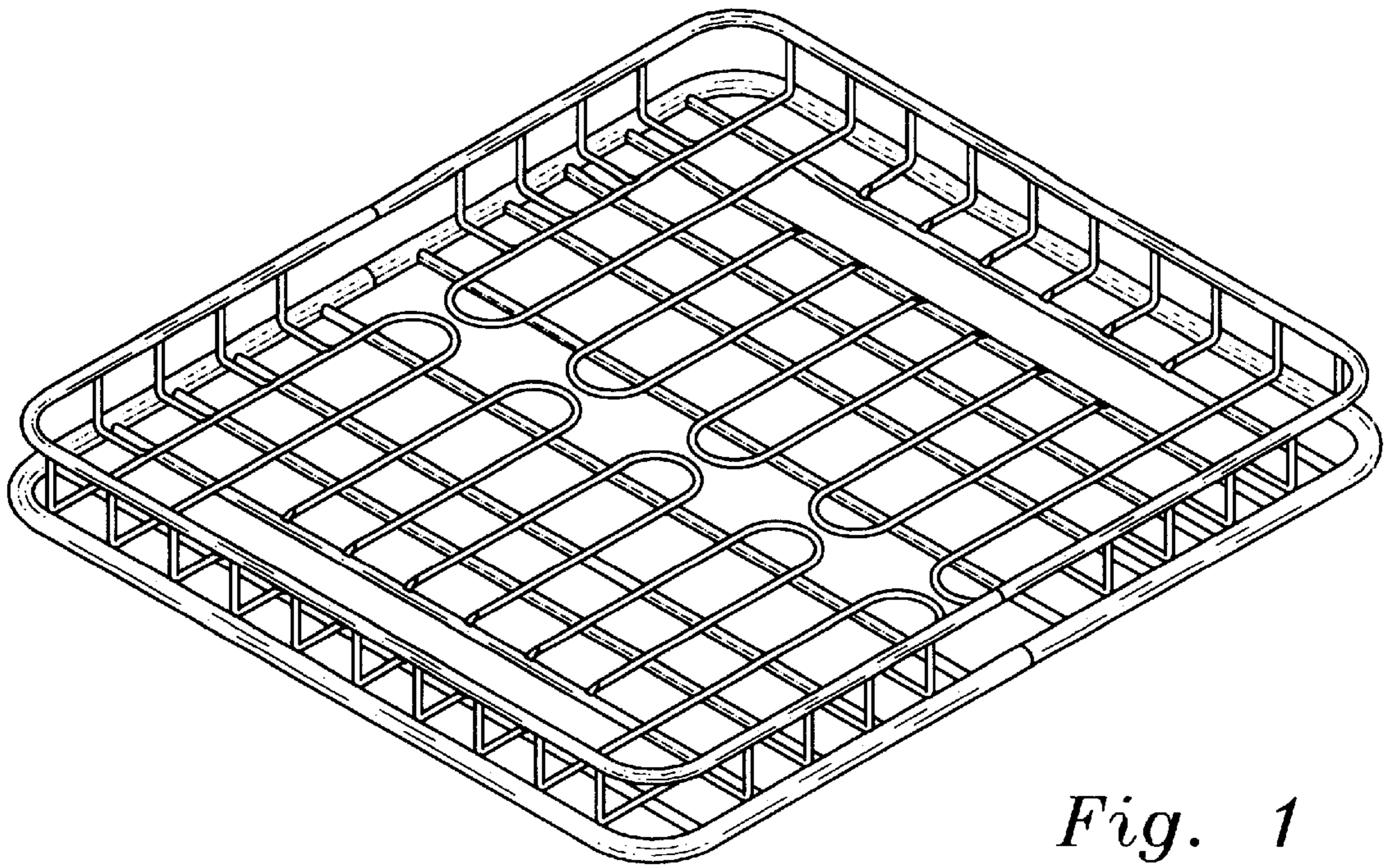


Fig. 1

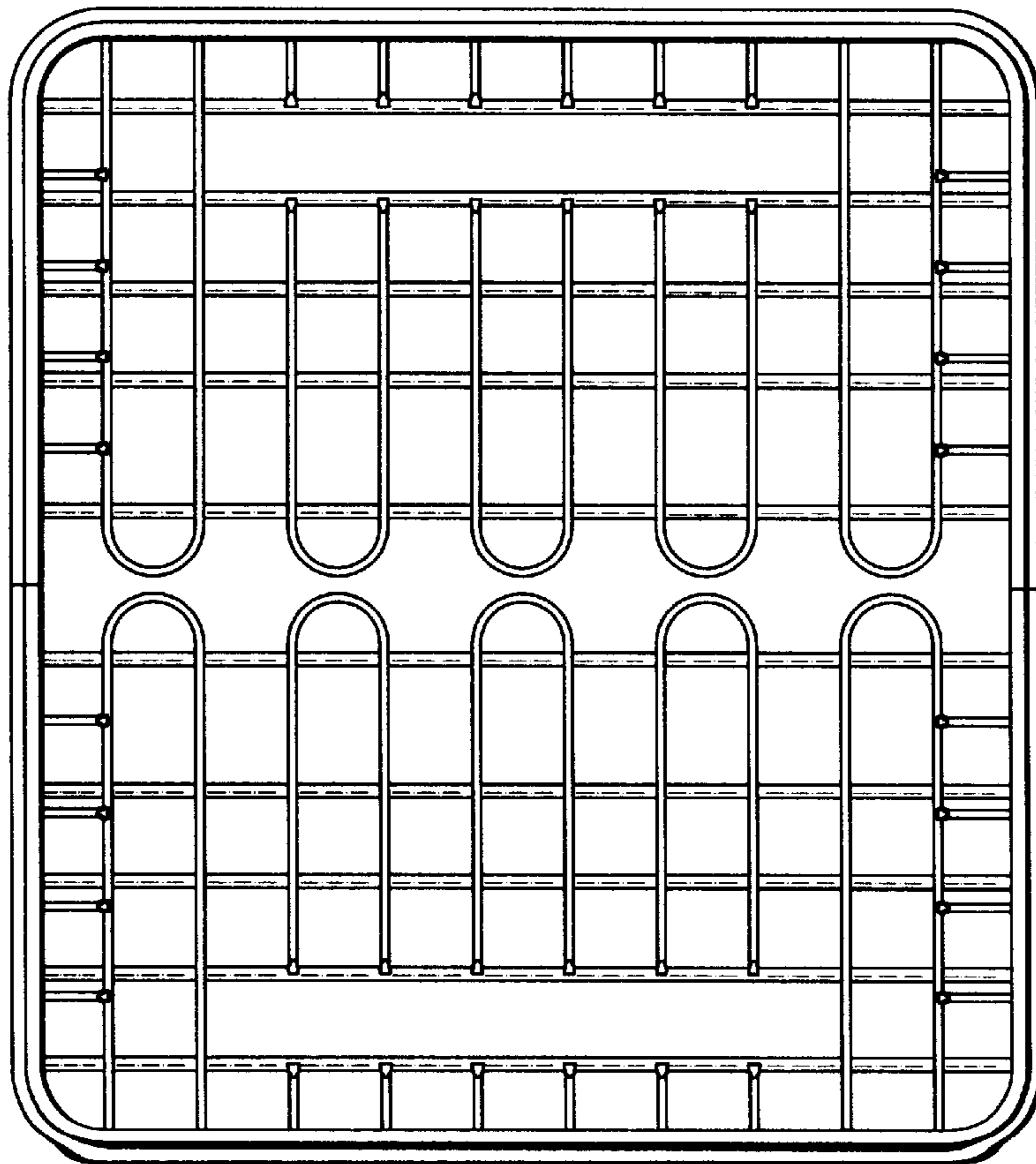


Fig. 2

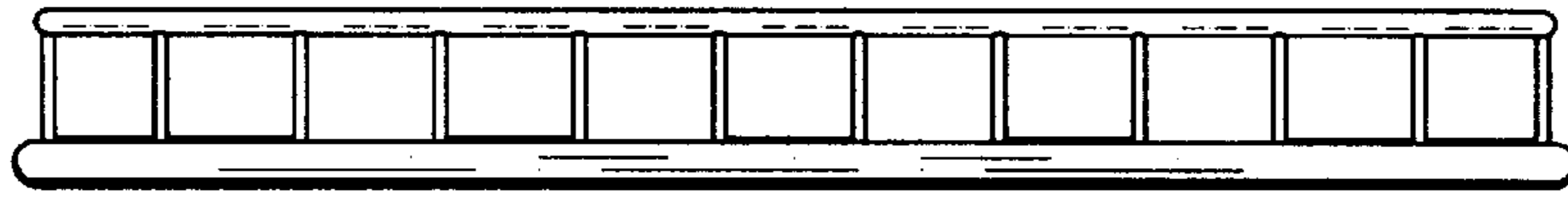


Fig. 3

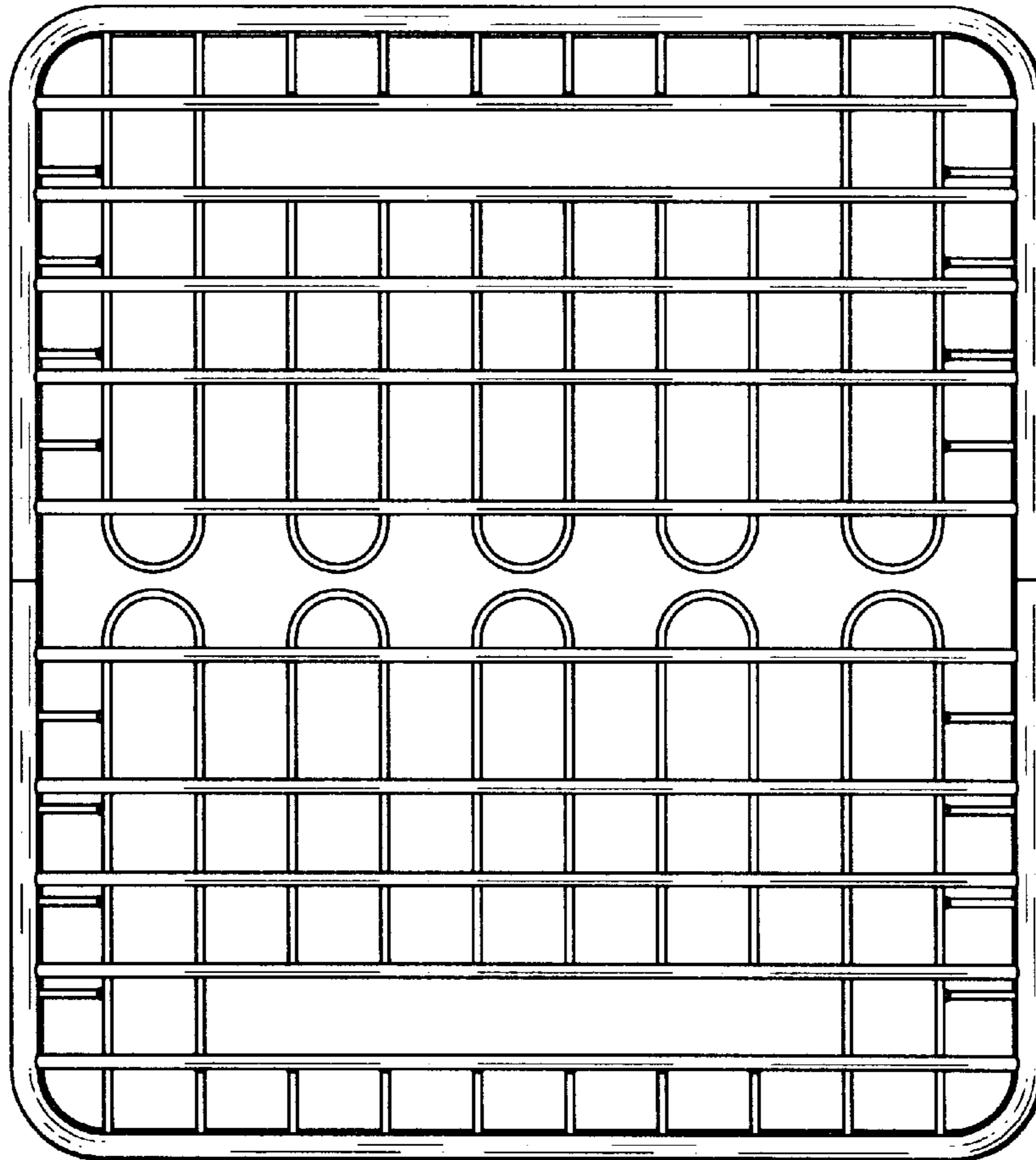


Fig. 4

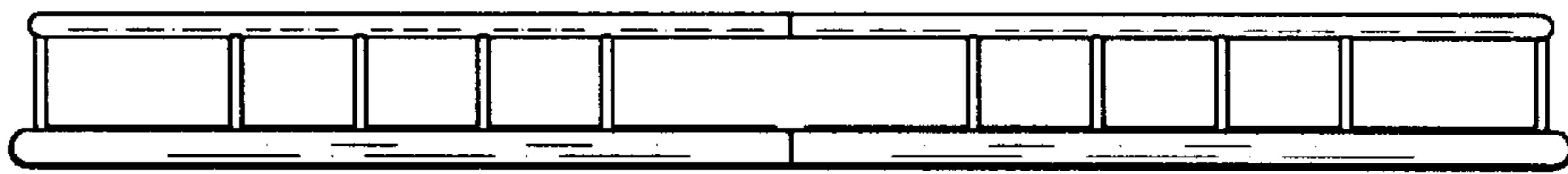


Fig. 5

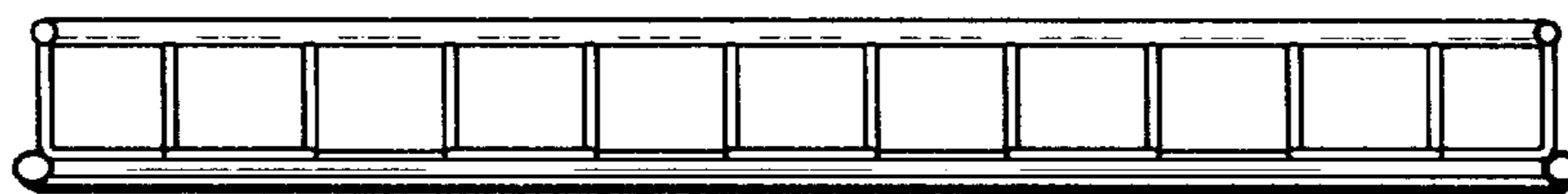


Fig. 6

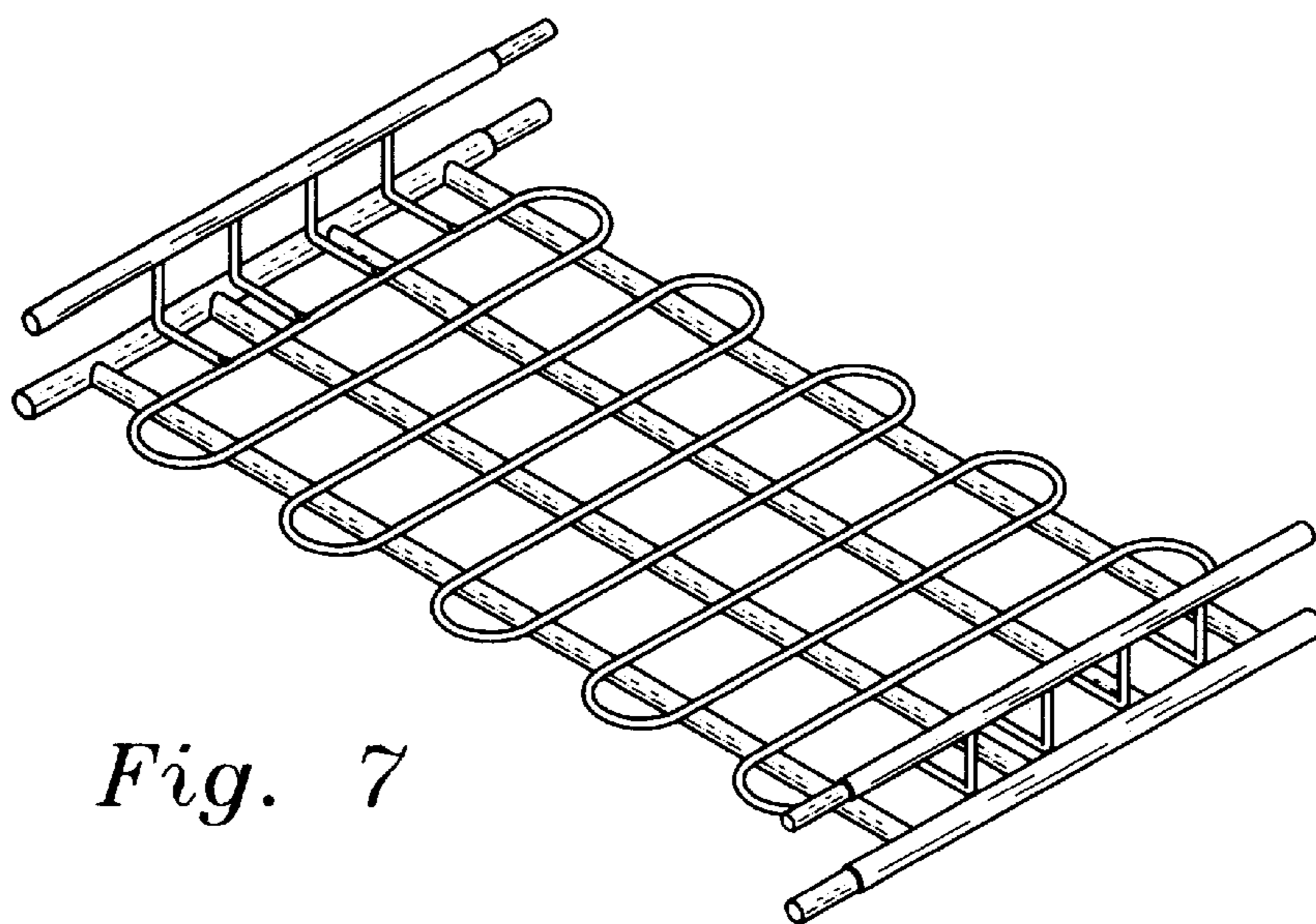


Fig. 7

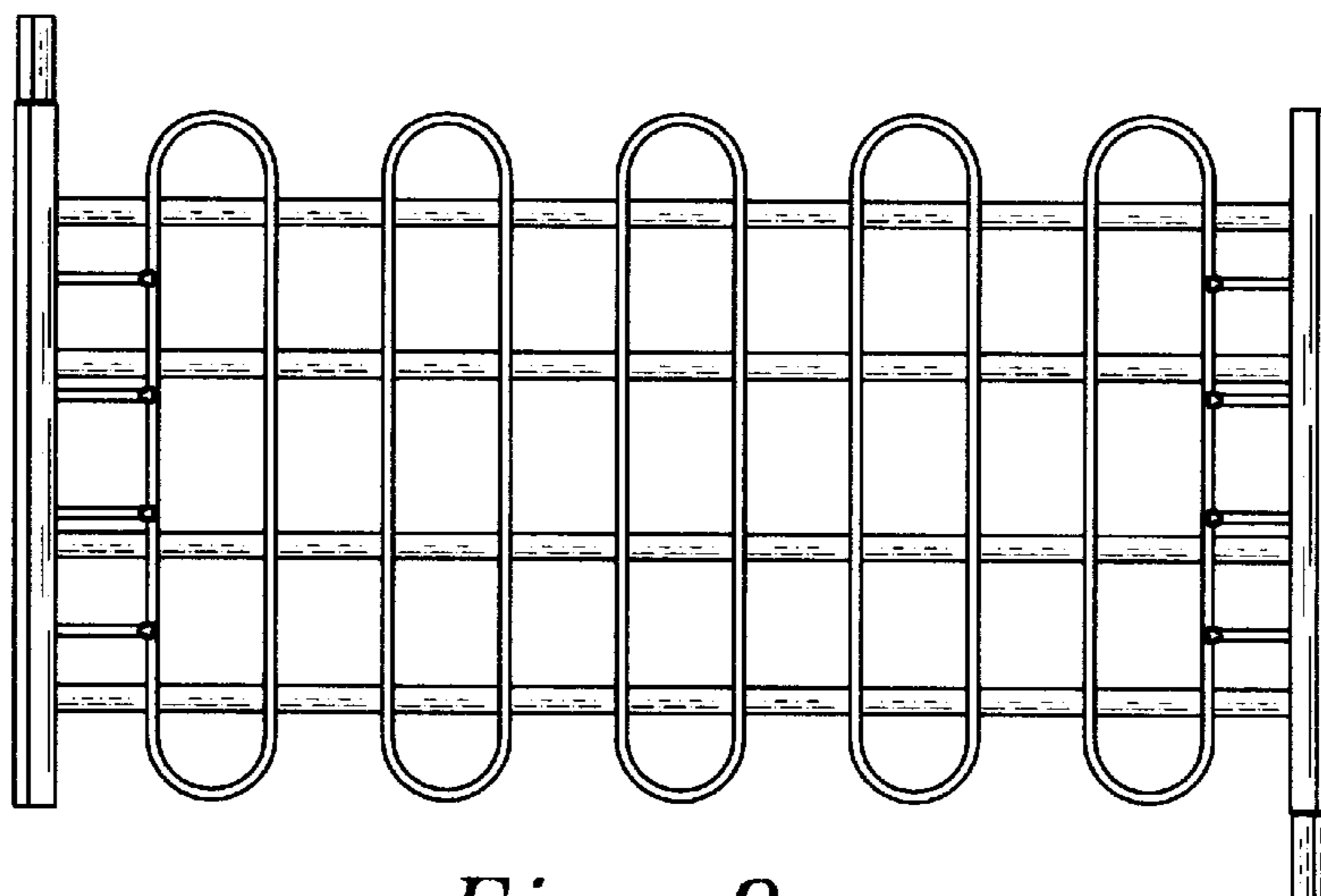


Fig. 8

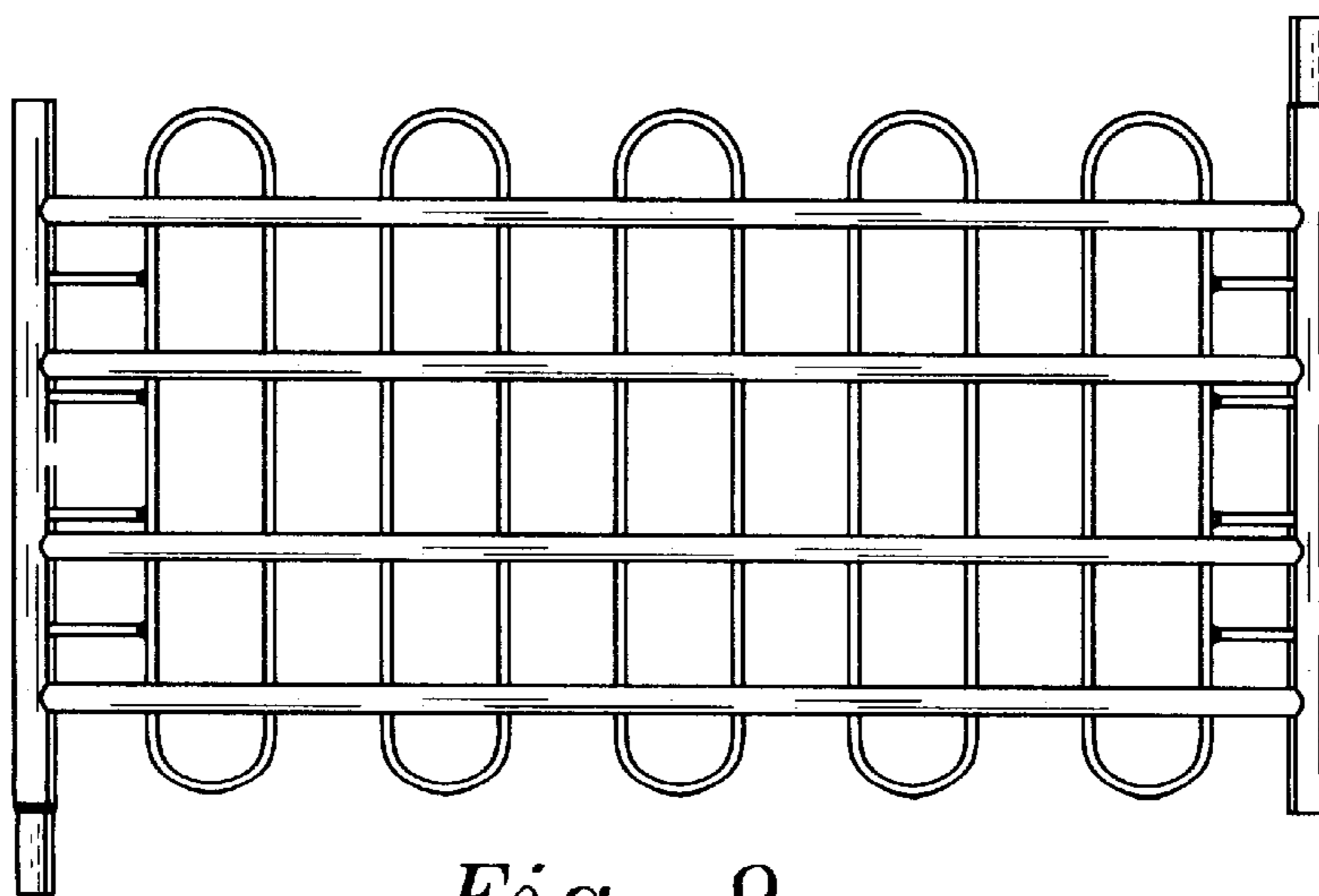


Fig. 9

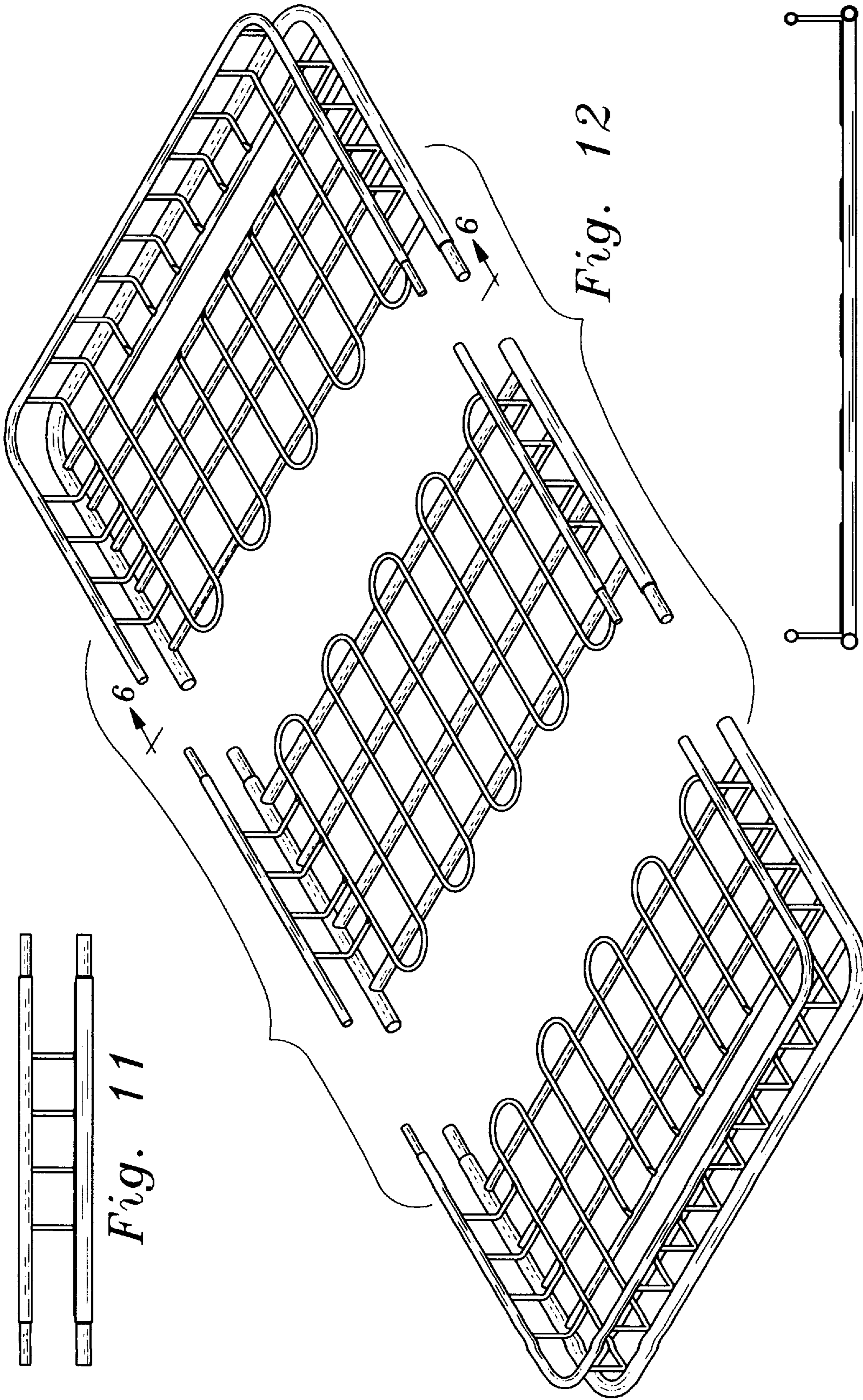


Fig. 11

Fig. 12

Fig. 10

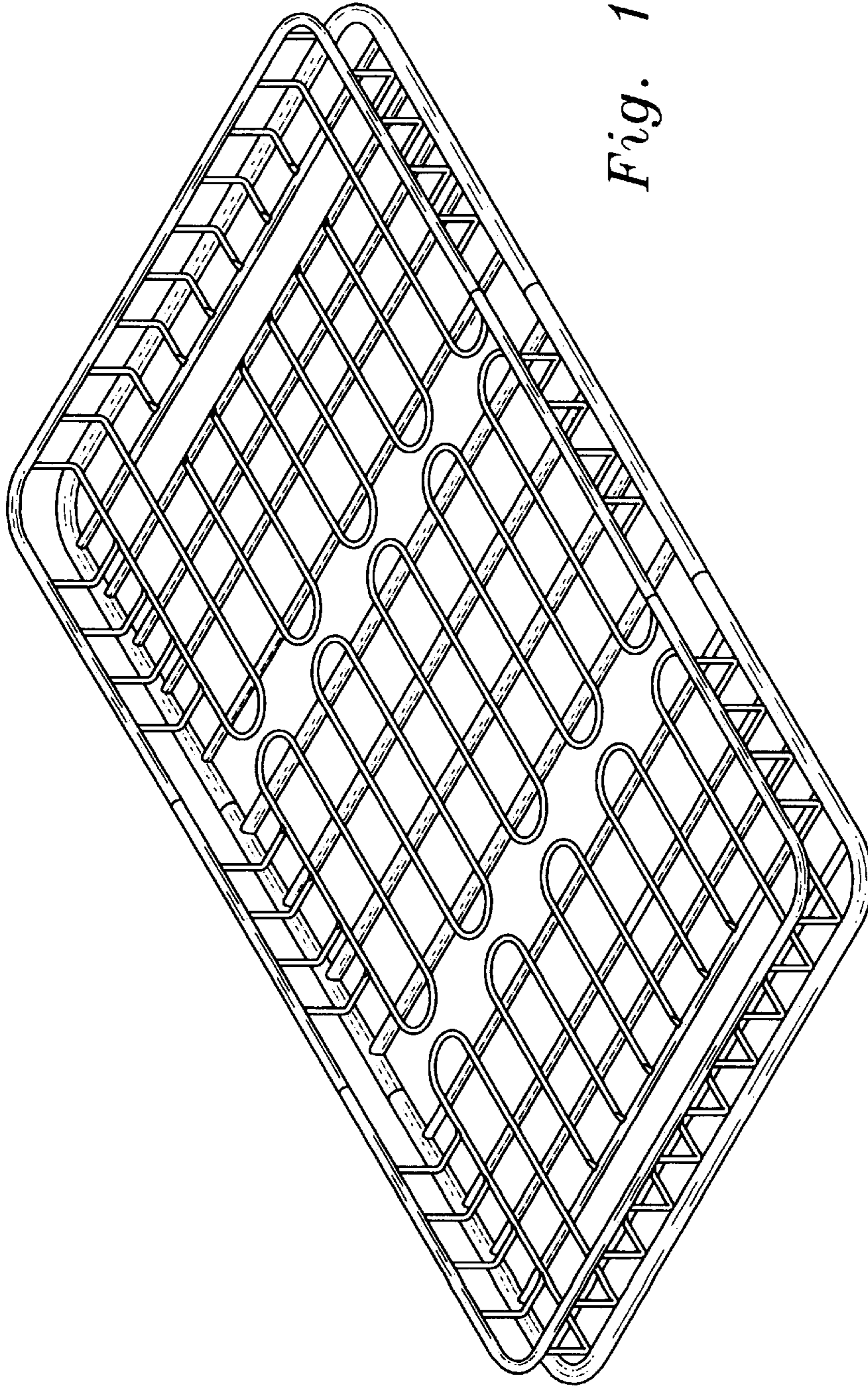


Fig. 13

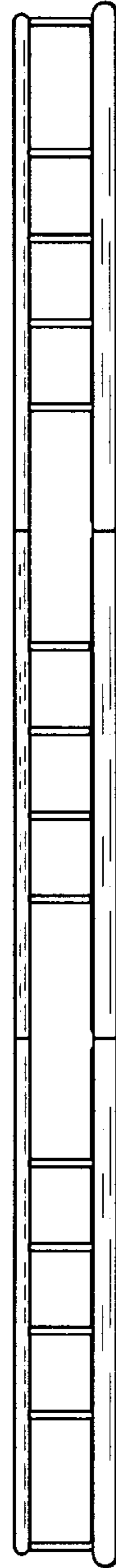


Fig. 14

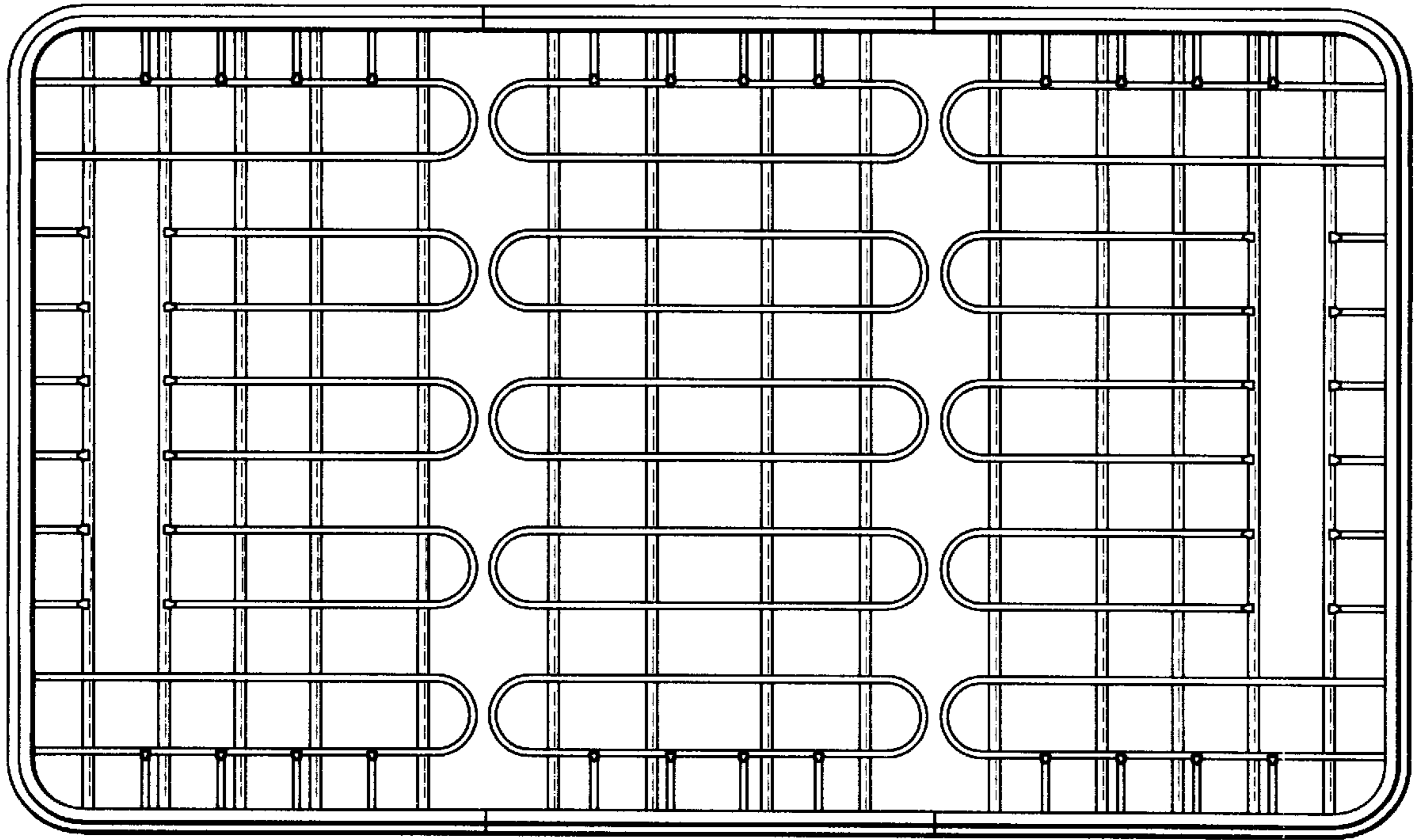


Fig. 15

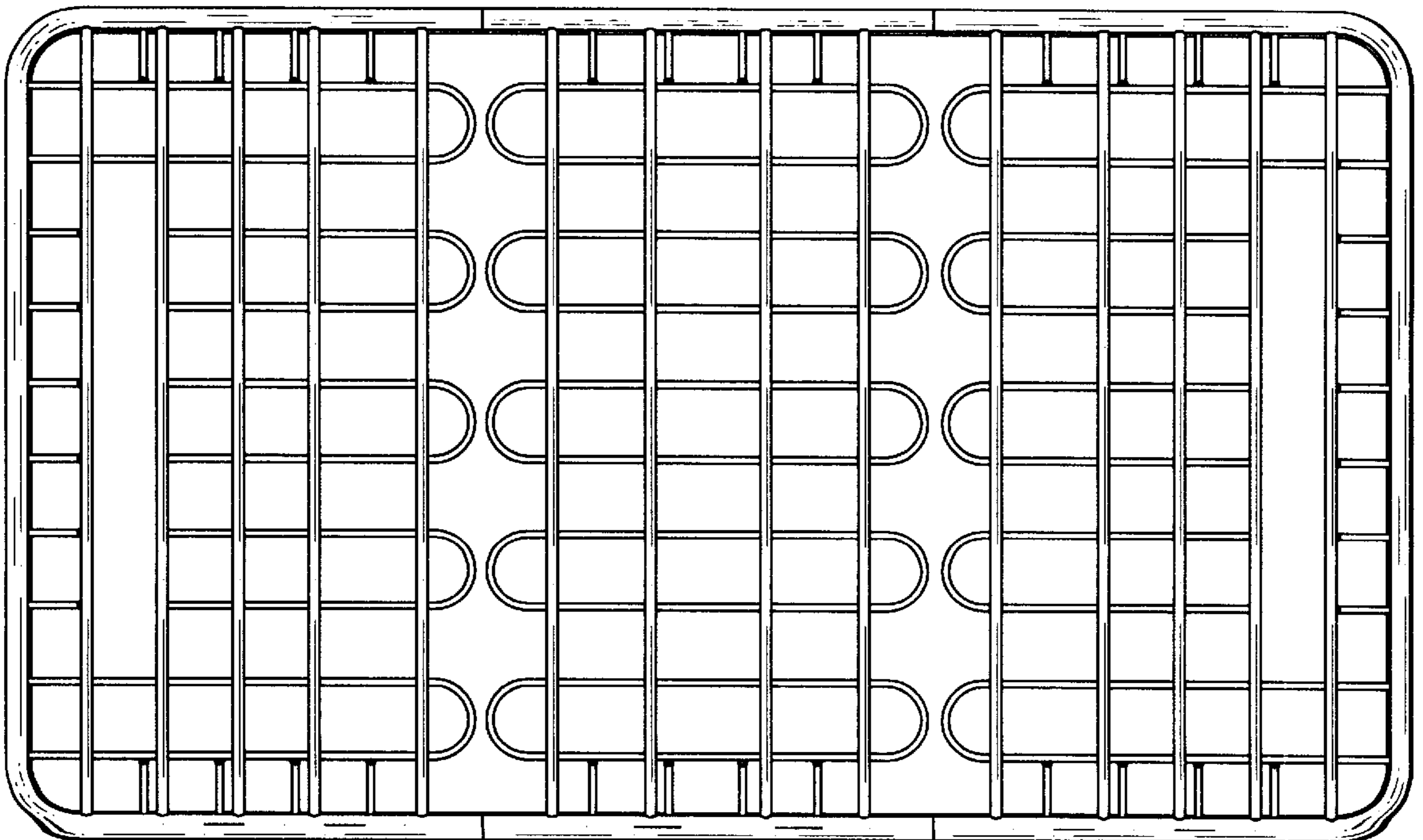


Fig. 16

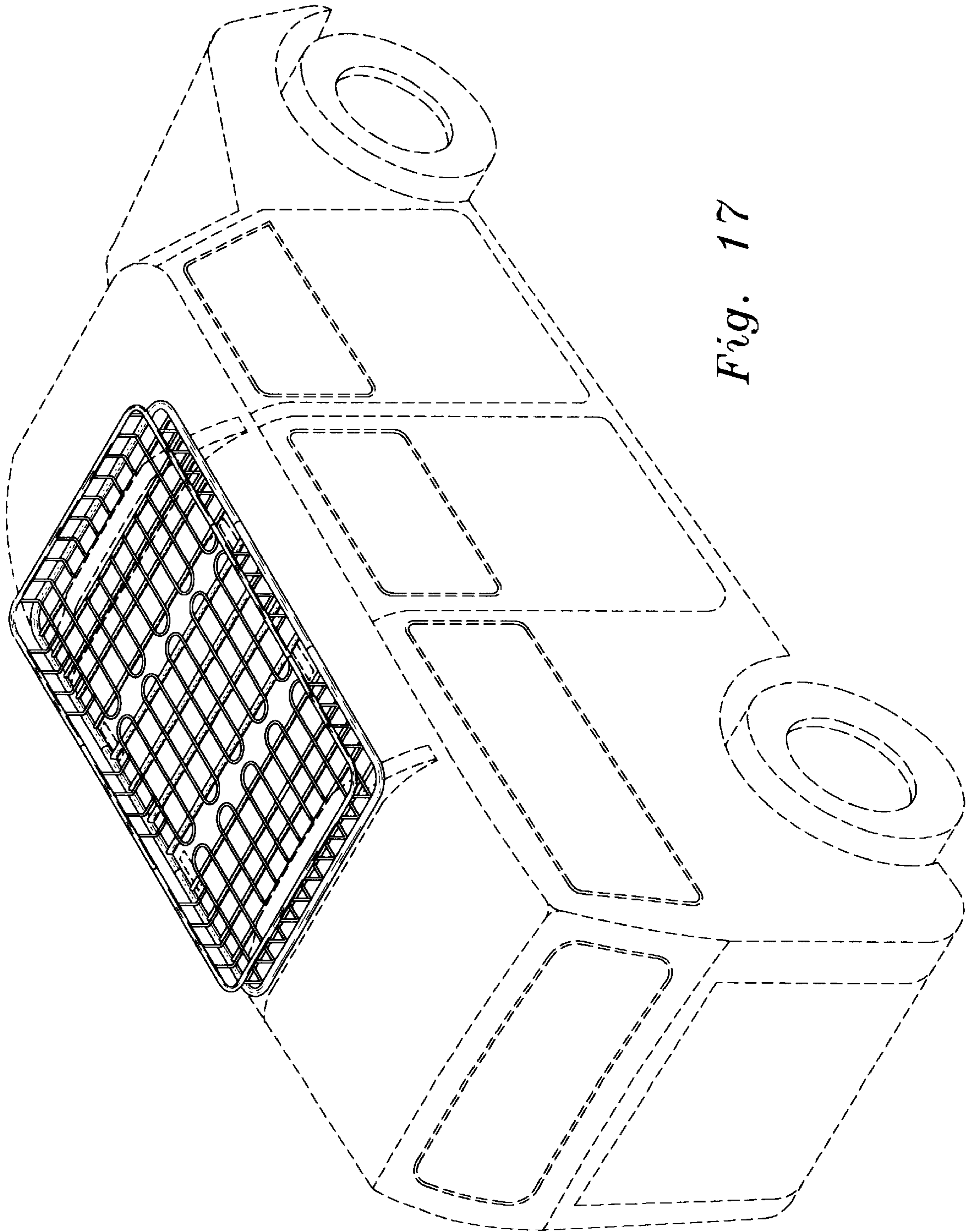


Fig. 17