



US00D413555S

United States Patent [19]

Hernandez et al.

[11] Patent Number: **Des. 413,555**

[45] Date of Patent: **** Sep. 7, 1999**

[54] **WHEELCHAIR FRAME**

[76] Inventors: **William N. Hernandez**, 707 Brentford Pl. #124, Arlington, Tex. 76006; **Raul E. Ortego**, Texomita #70, Col. Benito Juarez, Cd. Neza, Edo., Mexico

[**] Term: **14 Years**

[21] Appl. No.: **29/096,848**

[22] Filed: **Nov. 20, 1998**

[51] **LOC (6) Cl.** **12-12**

[52] **U.S. Cl.** **D12/133**

[58] **Field of Search** D12/128-133;
280/250.1, 304.1, 242.1, 647; 297/DIG. 4

[56] **References Cited**

U.S. PATENT DOCUMENTS

D. 395,854	7/1998	Hernandez et al.	D12/131
4,515,383	5/1985	Minnebraker	280/250.1
5,152,543	10/1992	Sims et al.	280/250.1

Primary Examiner—Kay H. Chin
Attorney, Agent, or Firm—Charles D. Gunter, Jr.

[57] **CLAIM**

The ornamental design for a wheelchair frame, as shown and described.

DESCRIPTION

FIG. 1 is a top perspective view of a wheelchair frame showing our new design, the broken lines are for illustrative purposes only and form no part of the claimed design; FIG. 2 is a right side elevational view thereof; the left side view being a mirror image of that shown; FIG. 3 is a front elevational view thereof; FIG. 4 is a top plan view thereof; FIG. 5 is a rear elevational view thereof; and, FIG. 6 is a bottom plan view thereof. The stippling shown on the drawing is for shading purposes only.

1 Claim, 3 Drawing Sheets

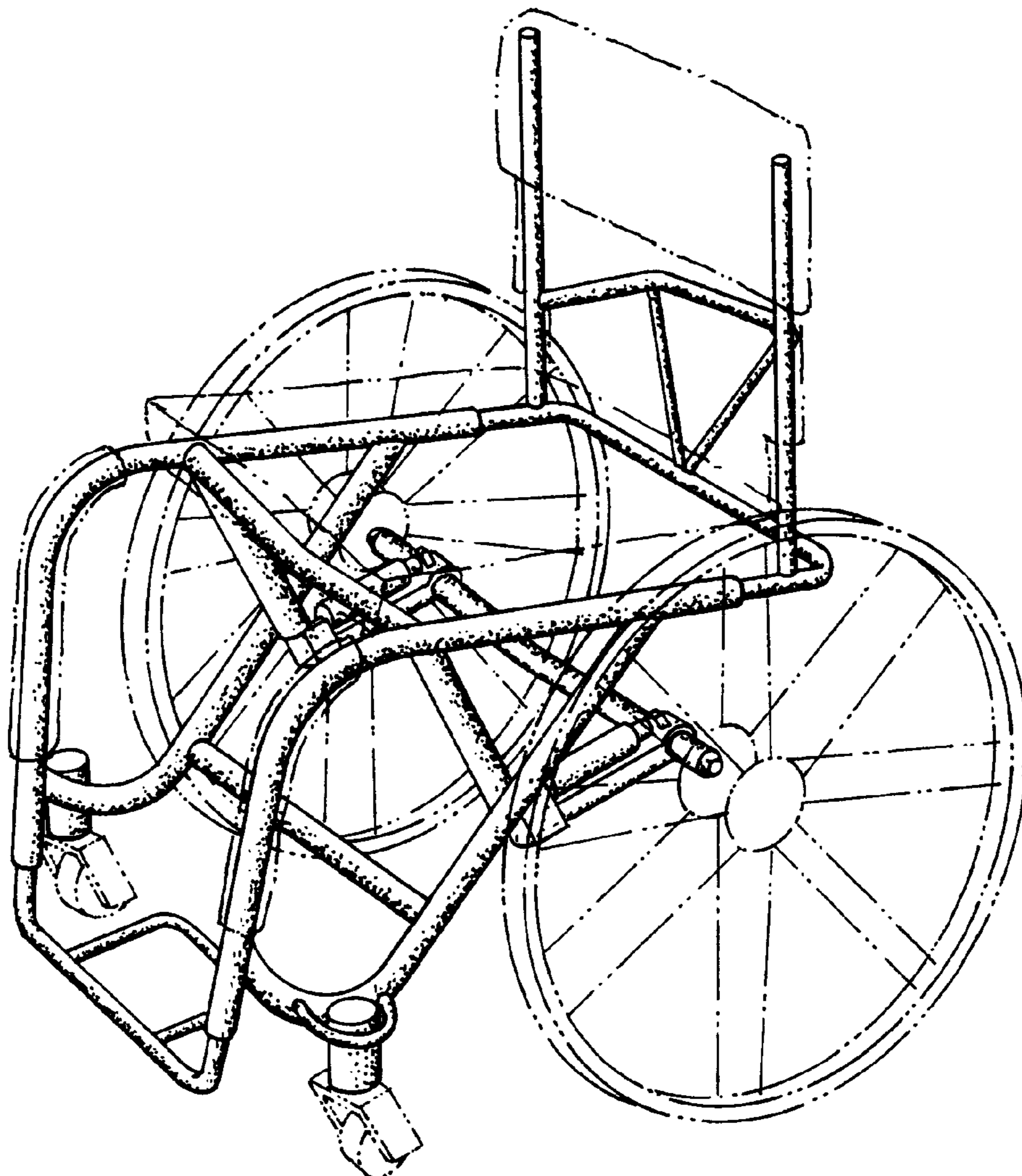


Fig. 1

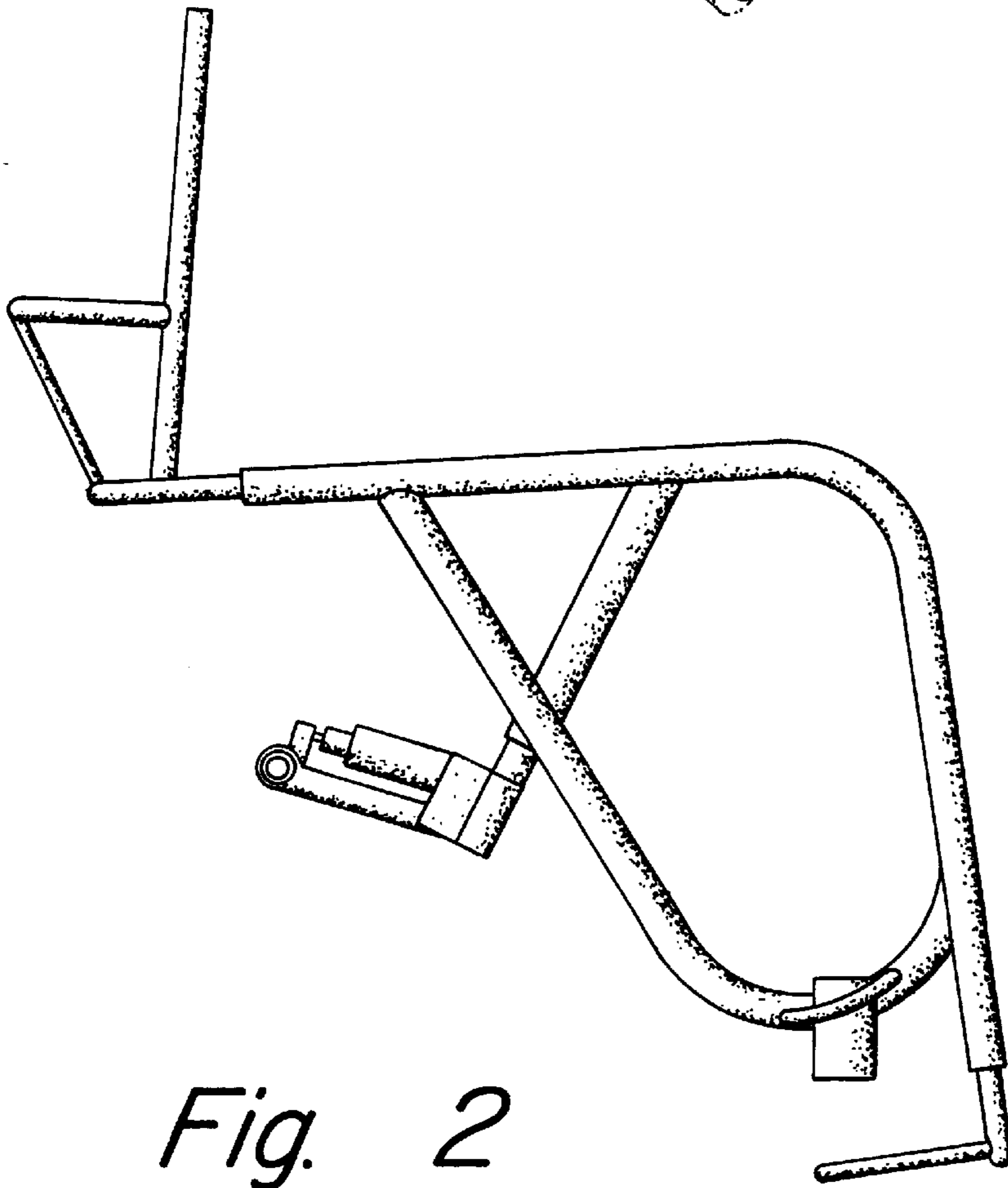
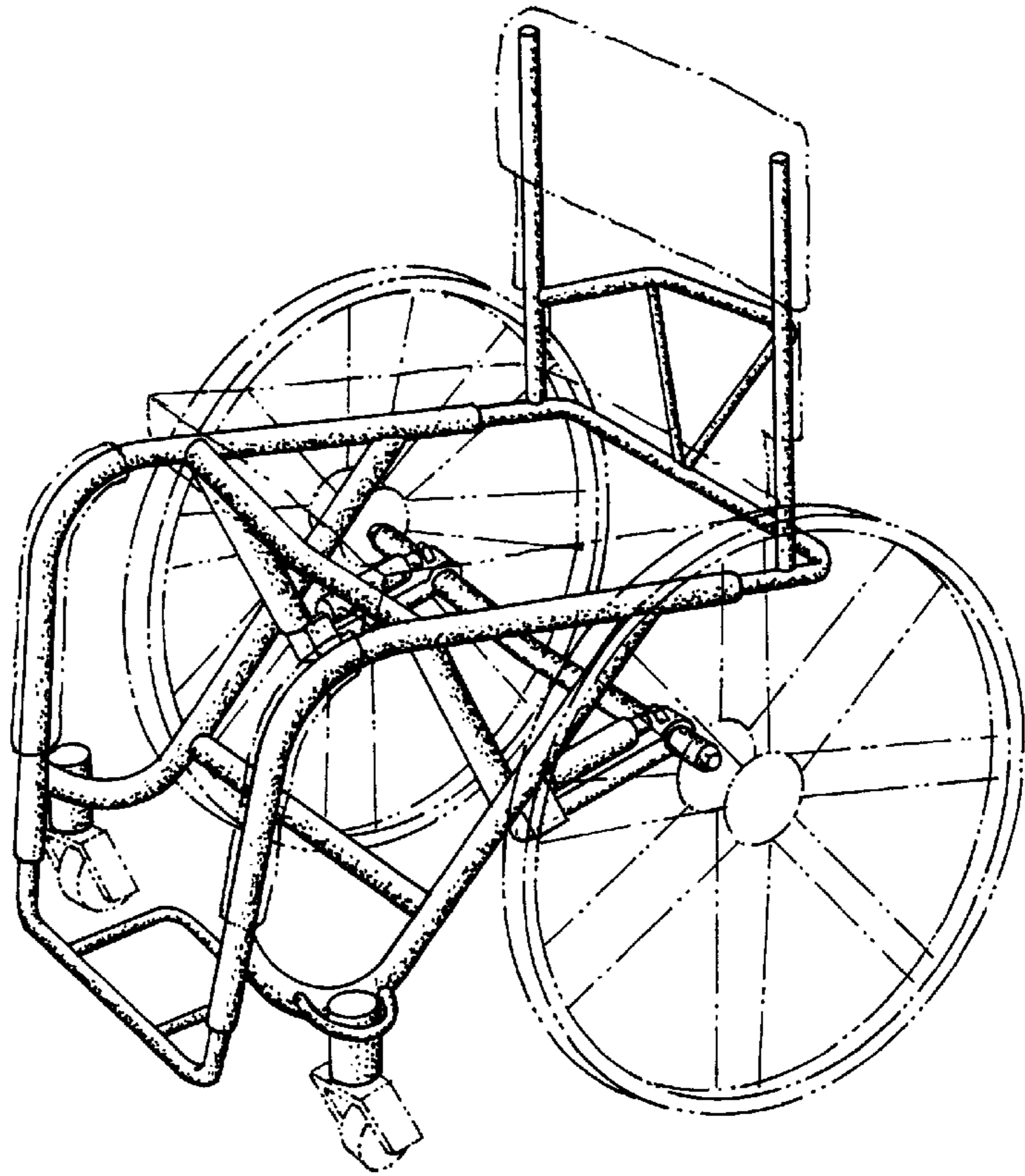


Fig. 2

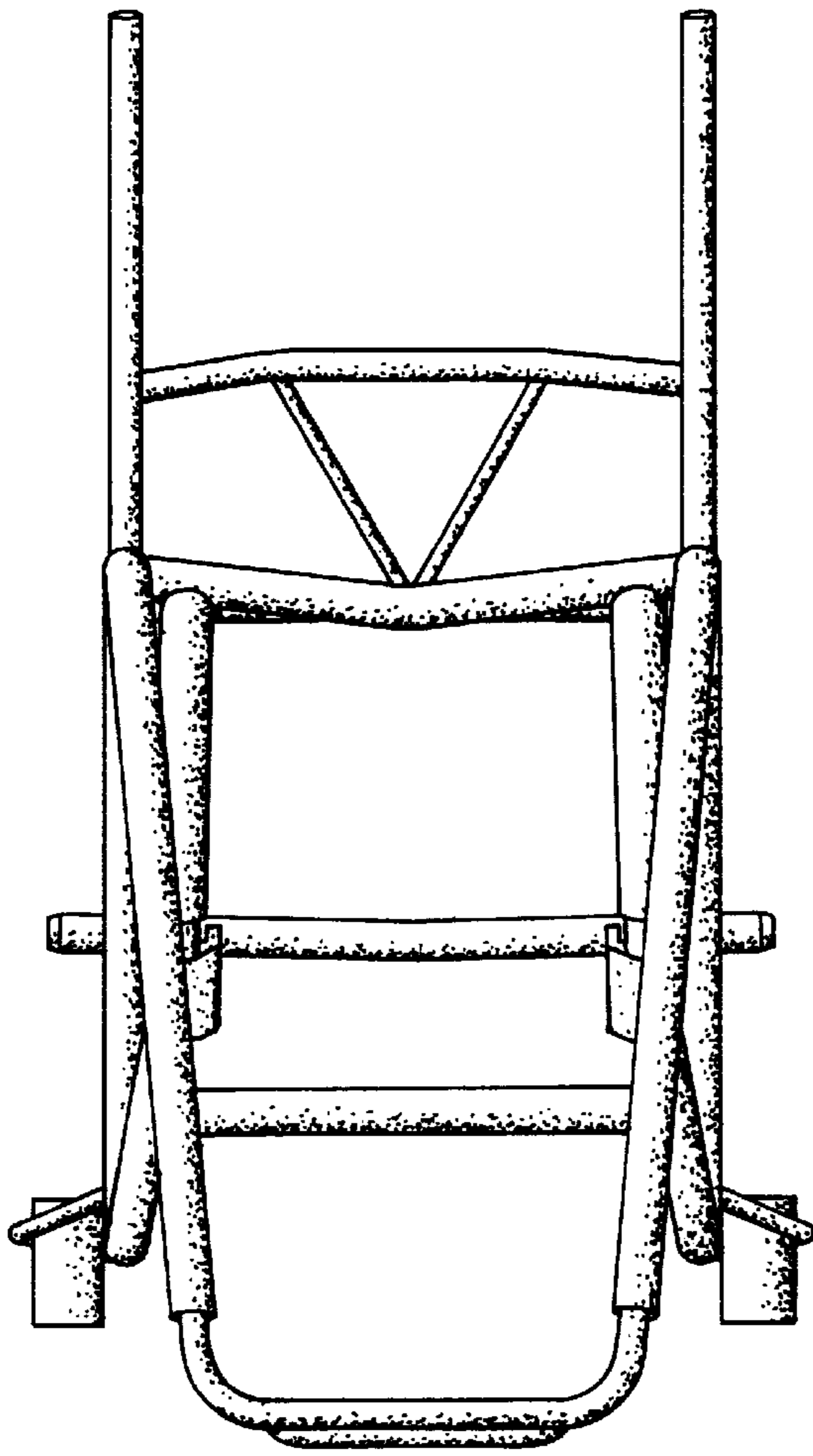
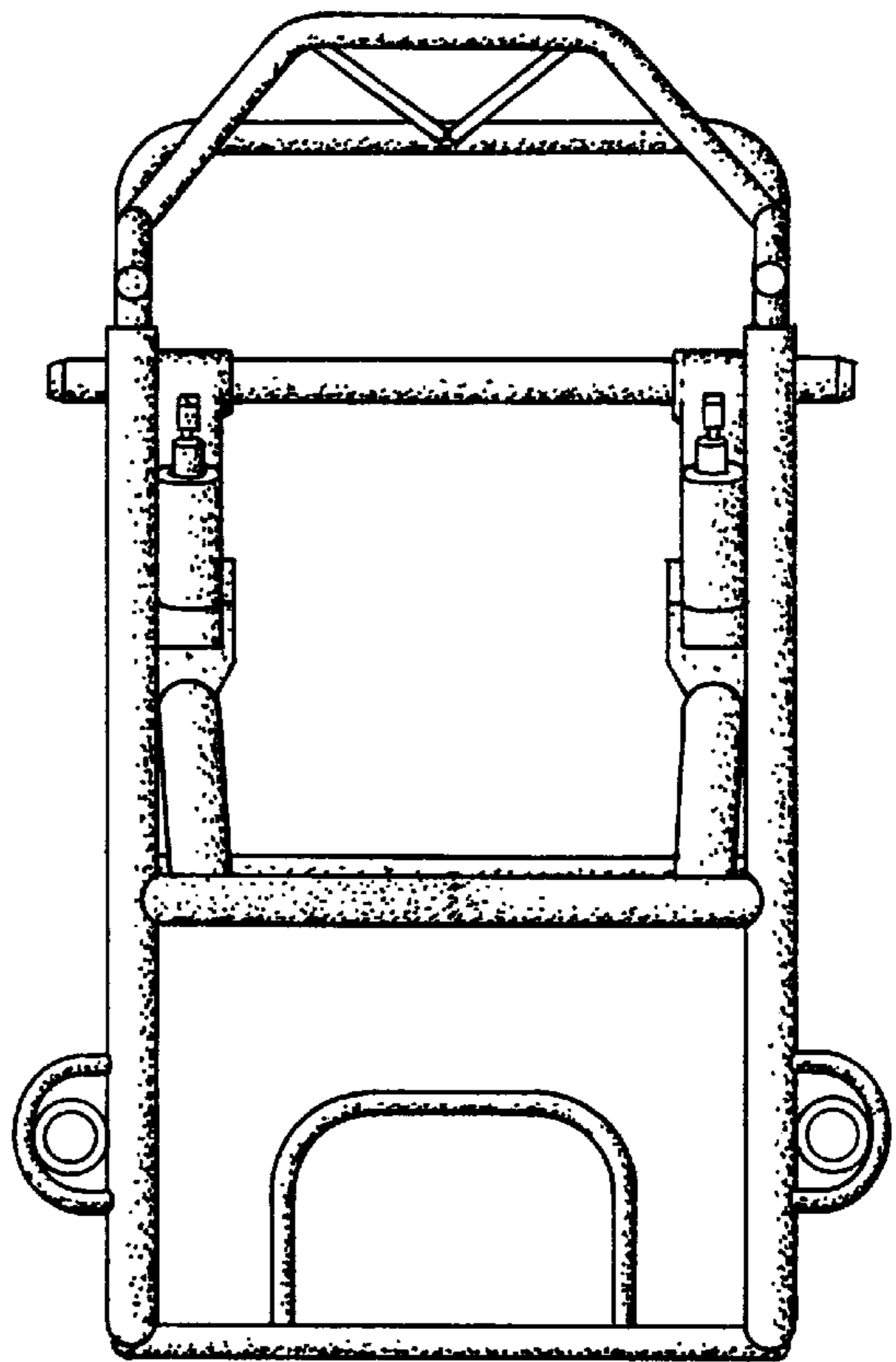


Fig. 3

Fig. 4



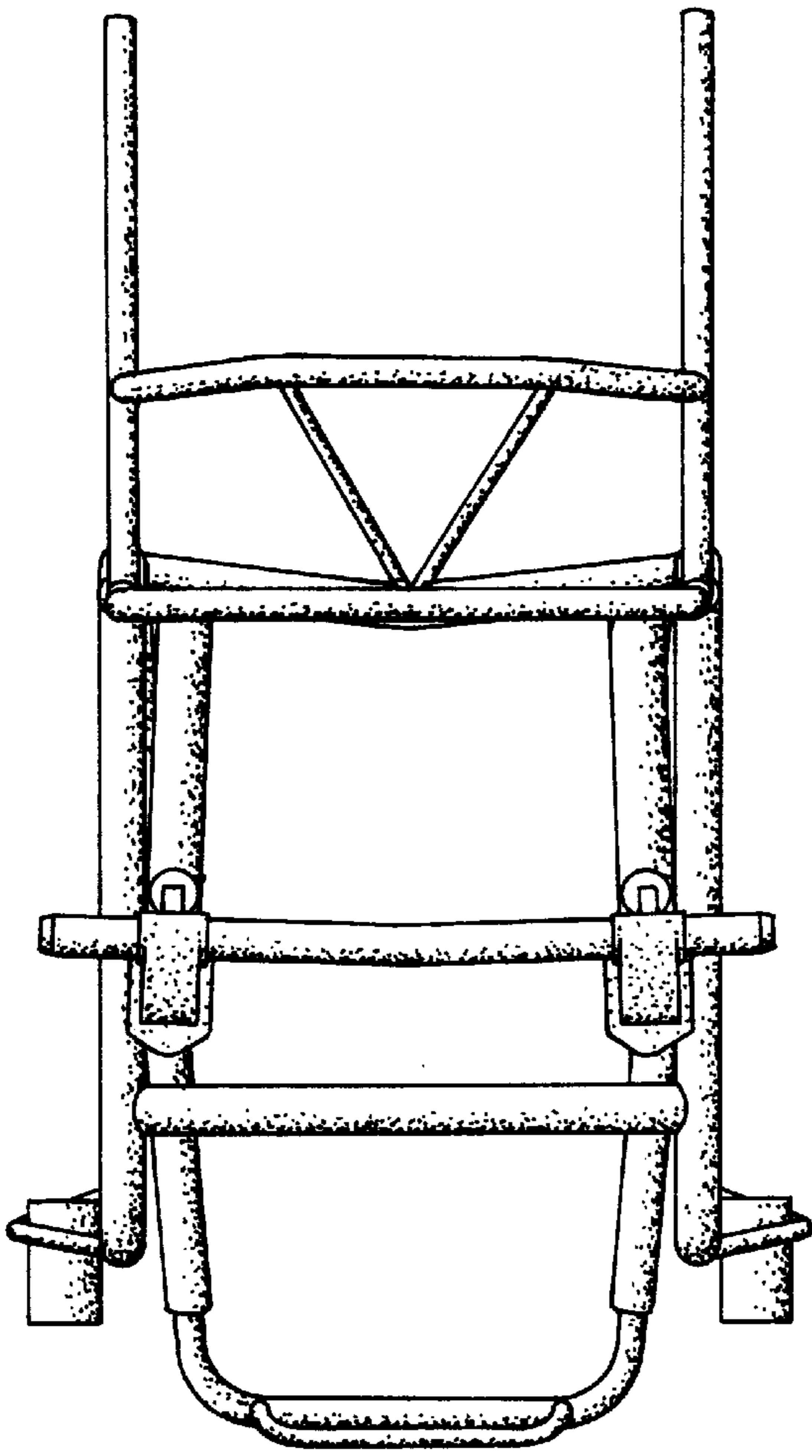


Fig. 5

Fig. 6

