



US00D413554S

United States Patent [19] Schlangen

[11] Patent Number: Des. 413,554

[45] Date of Patent: ** Sep. 7, 1999

[54] POWERED WHEELCHAIR

5,540,297 7/1996 Meier .
5,575,348 11/1996 Goertzen et al. .

[75] Inventor: Phillip E. Schlangen, Minneapolis, Minn.

Primary Examiner—Kay H. Chin
Attorney, Agent, or Firm—Burd, Bartz & Gutenkauf

[73] Assignee: Kurt Manufacturing Company, Minneapolis, Minn.

[57] CLAIM

[**] Term: 14 Years

The ornamental design of the powered wheelchair, as shown and described.

[21] Appl. No.: 29/094,171

DESCRIPTION

[22] Filed: Sep. 28, 1998

[51] LOC (6) Cl. 12-12

[52] U.S. Cl. D12/131

[58] Field of Search D12/128-133;
280/250.1, 304.1, 647; 297/DIG. 4; 180/907,
65.1

FIG. 1 is a perspective view of the powered wheelchair of my new design;
FIG. 2 is a top plan view thereof;
FIG. 3 is a front elevational view thereof;
FIG. 4 is a rear elevational view thereof;
FIG. 5 is a side elevational view of the right side thereof;
FIG. 6 is a side elevational view of the left side thereof;
FIG. 7 is a bottom plan view thereof;
FIG. 8 is a perspective view of a second embodiment of the powered wheelchair of FIG. 1;
FIG. 9 is a top plan view of the powered wheelchair of FIG. 8;
FIG. 10 is a front elevational view of the powered wheelchair of FIG. 8;
FIG. 11 is a rear elevational view of the powered wheelchair of FIG. 8;
FIG. 12 is a side elevational view of the right side of the powered wheelchair of FIG. 8;
FIG. 13 is a side elevational view of the left side of the powered wheelchair of FIG. 8; and,
FIG. 14 is a bottom plan view of the powered wheelchair of FIG. 8.

[56] References Cited

U.S. PATENT DOCUMENTS

D. 316,063	4/1991	Michel	D12/131
2,993,550	7/1961	Klappert	.	
3,100,547	8/1963	Rosenthal	.	
3,213,957	10/1965	Wrigley	.	
3,749,192	7/1973	Karchak, Jr.	.	
3,807,520	4/1974	Chisholm	.	
4,037,676	7/1977	Ruse	.	
4,515,383	5/1985	Minnebraker	280/250.1
4,805,711	2/1989	Lautzenhiser	.	
4,949,408	8/1990	Trkla	.	
5,094,310	3/1992	Richey et al.	.	
5,156,226	10/1992	Boyer et al.	180/65.1
5,242,138	9/1993	Kornberg	248/118
5,351,774	10/1994	Okamoto	.	
5,531,284	7/1996	Okamoto	.	

1 Claim, 14 Drawing Sheets

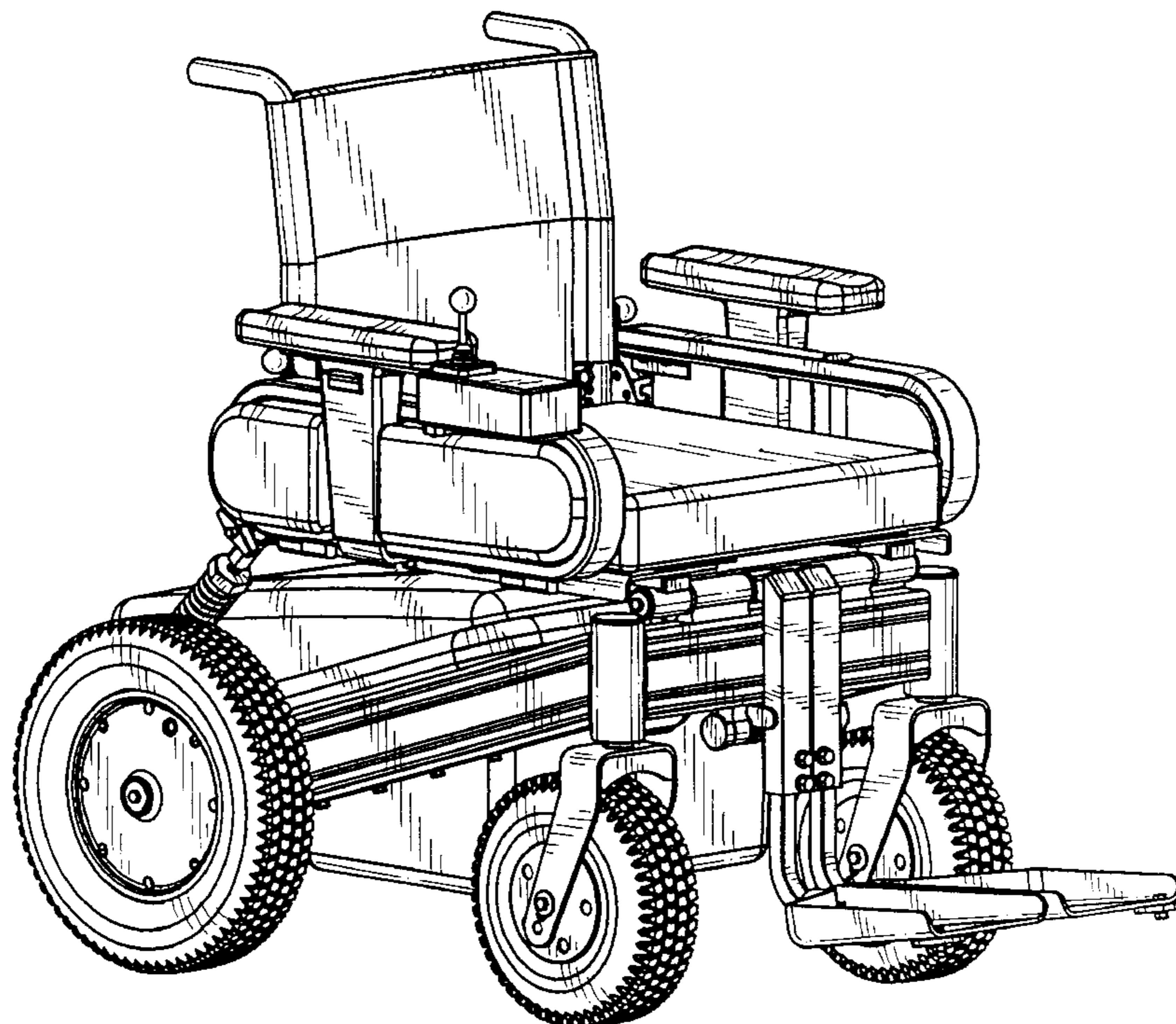


FIG. 1

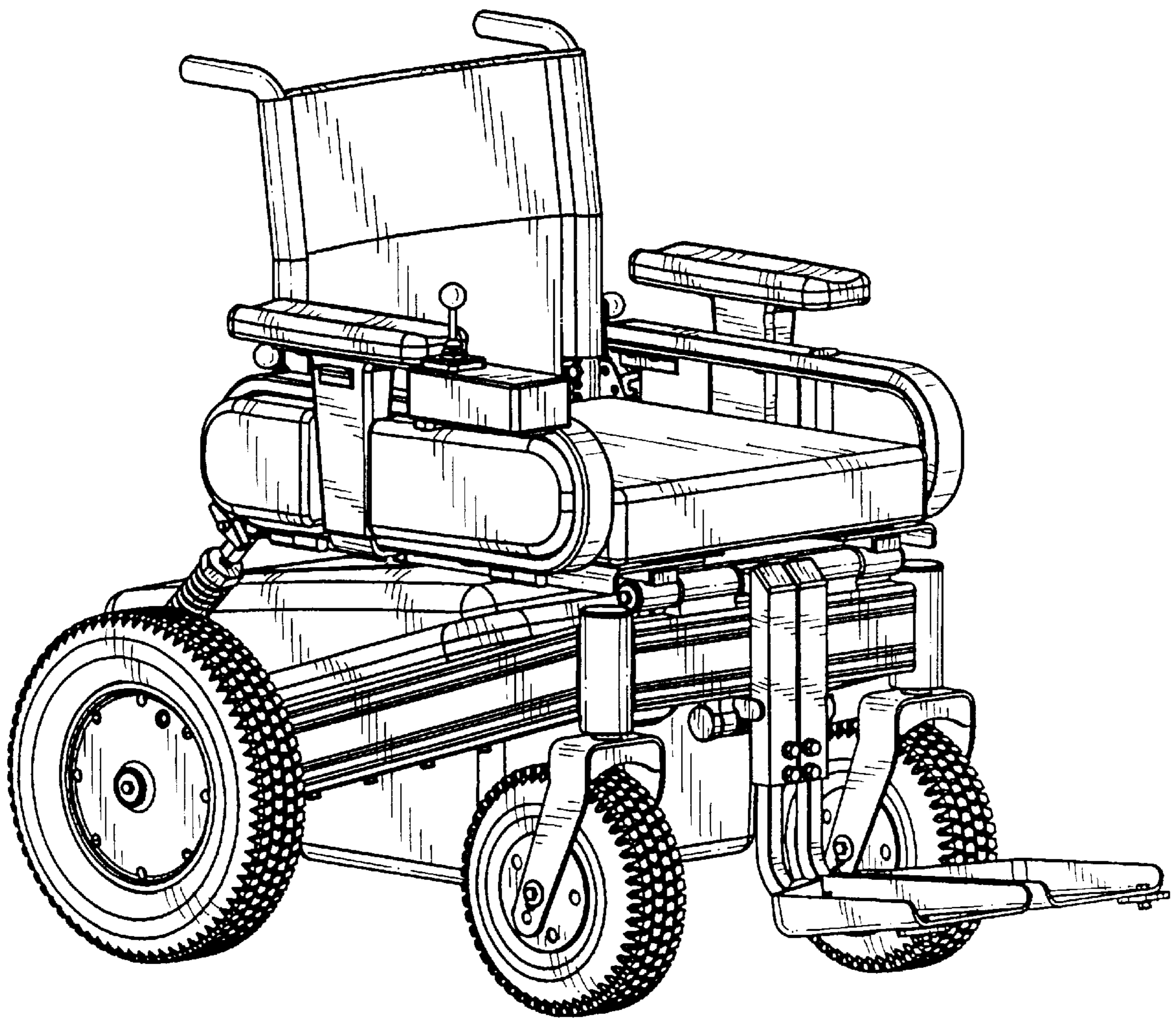


FIG. 2

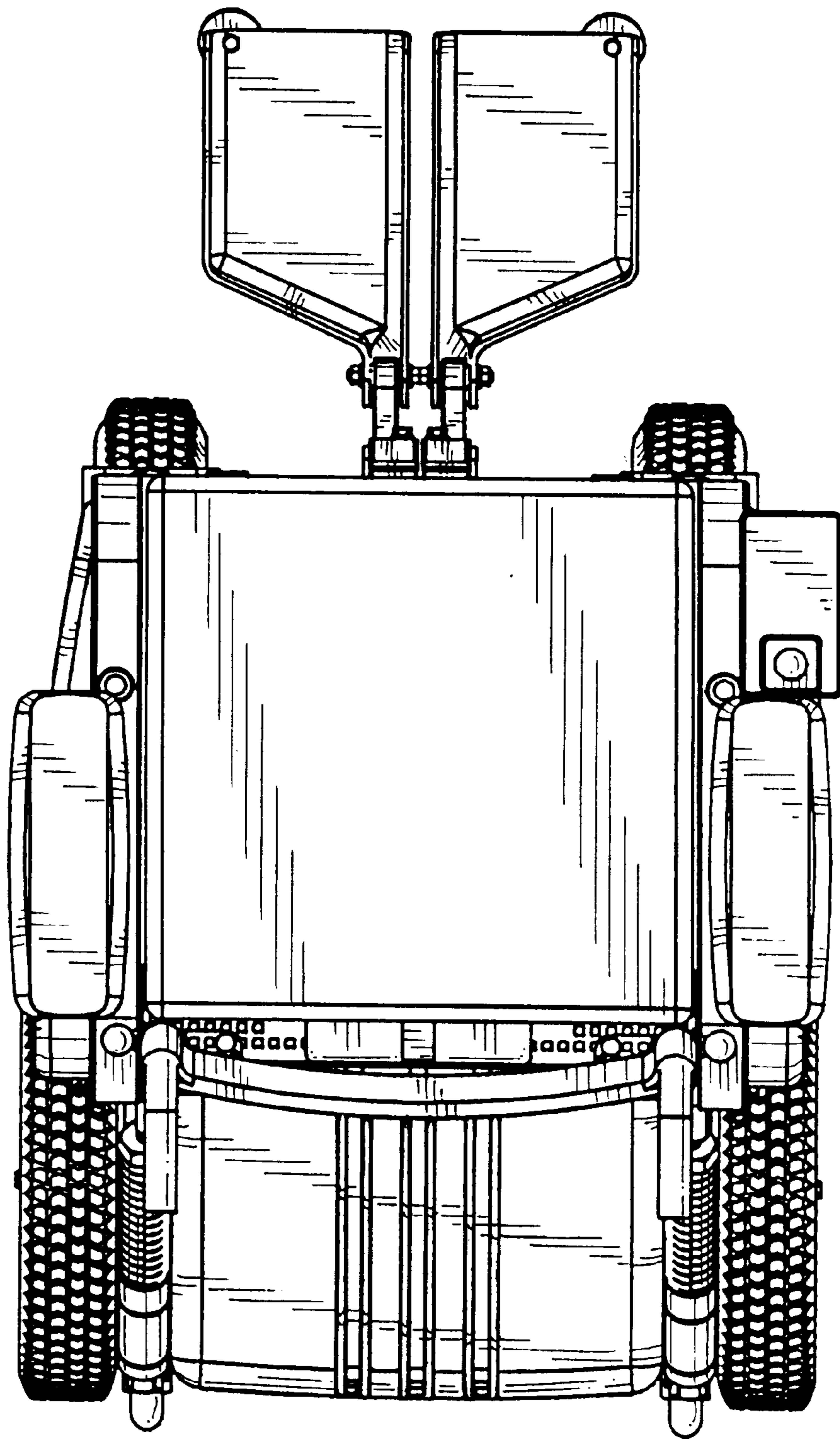


FIG. 3

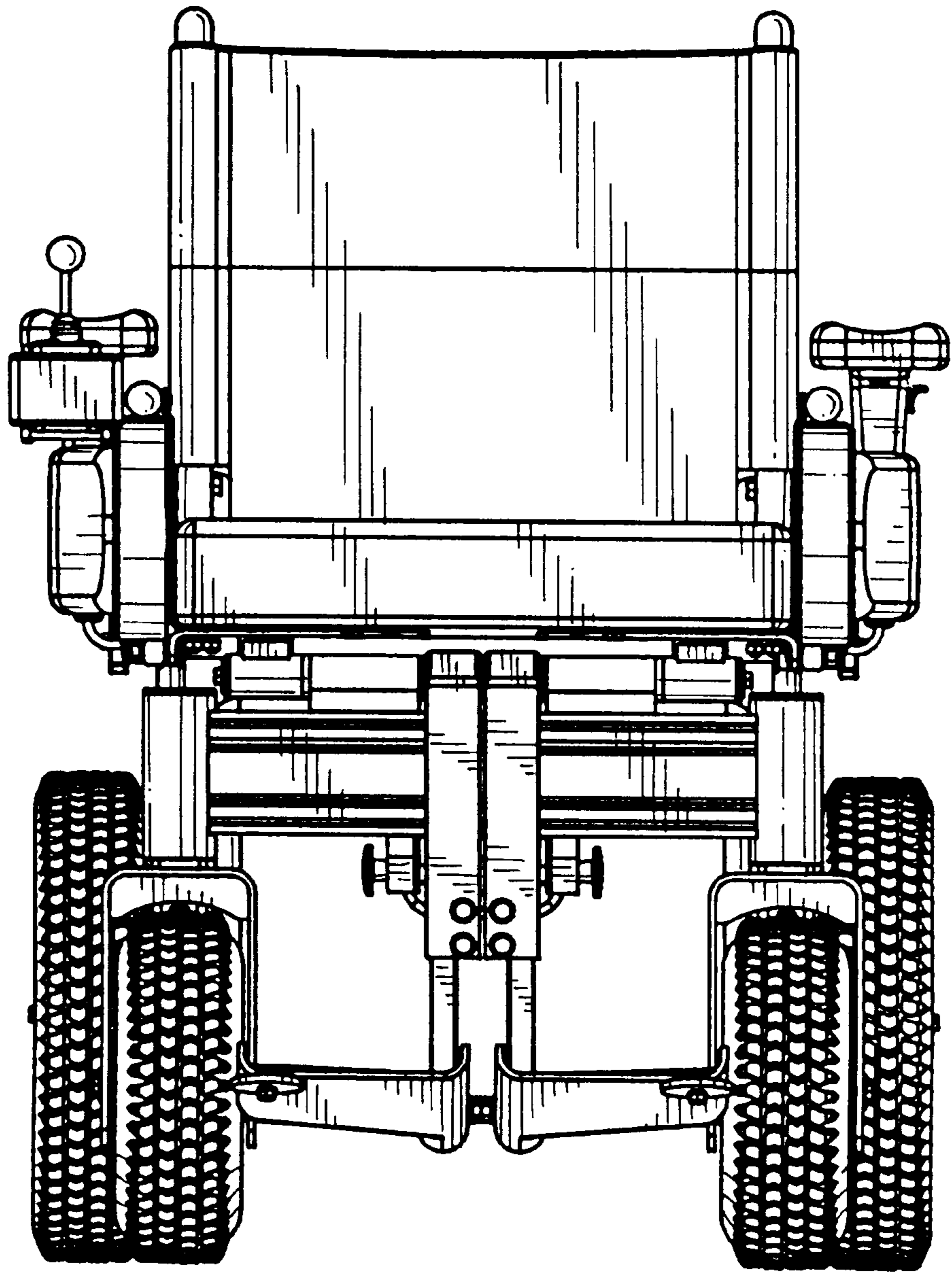


FIG. 4

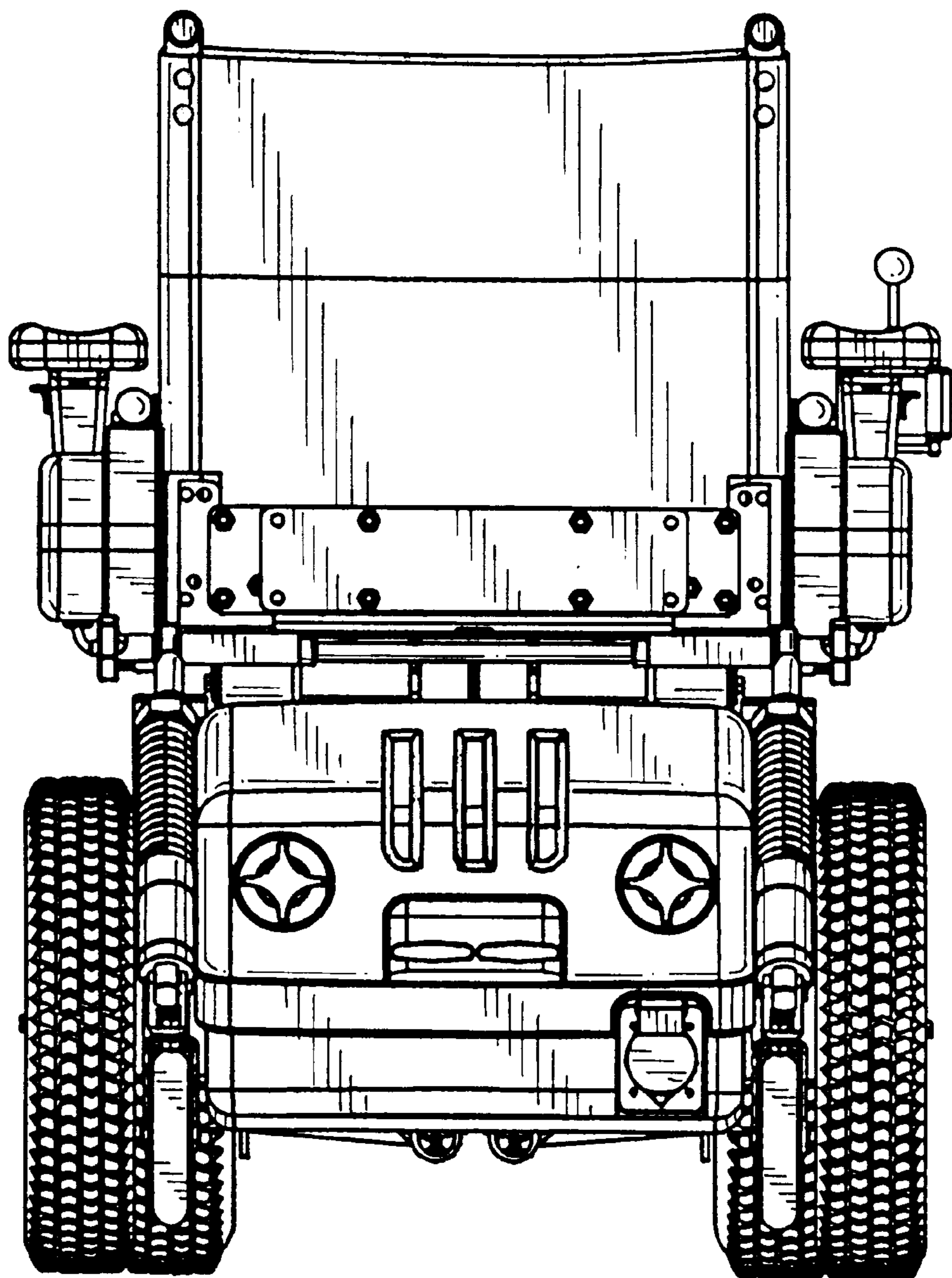


FIG. 5

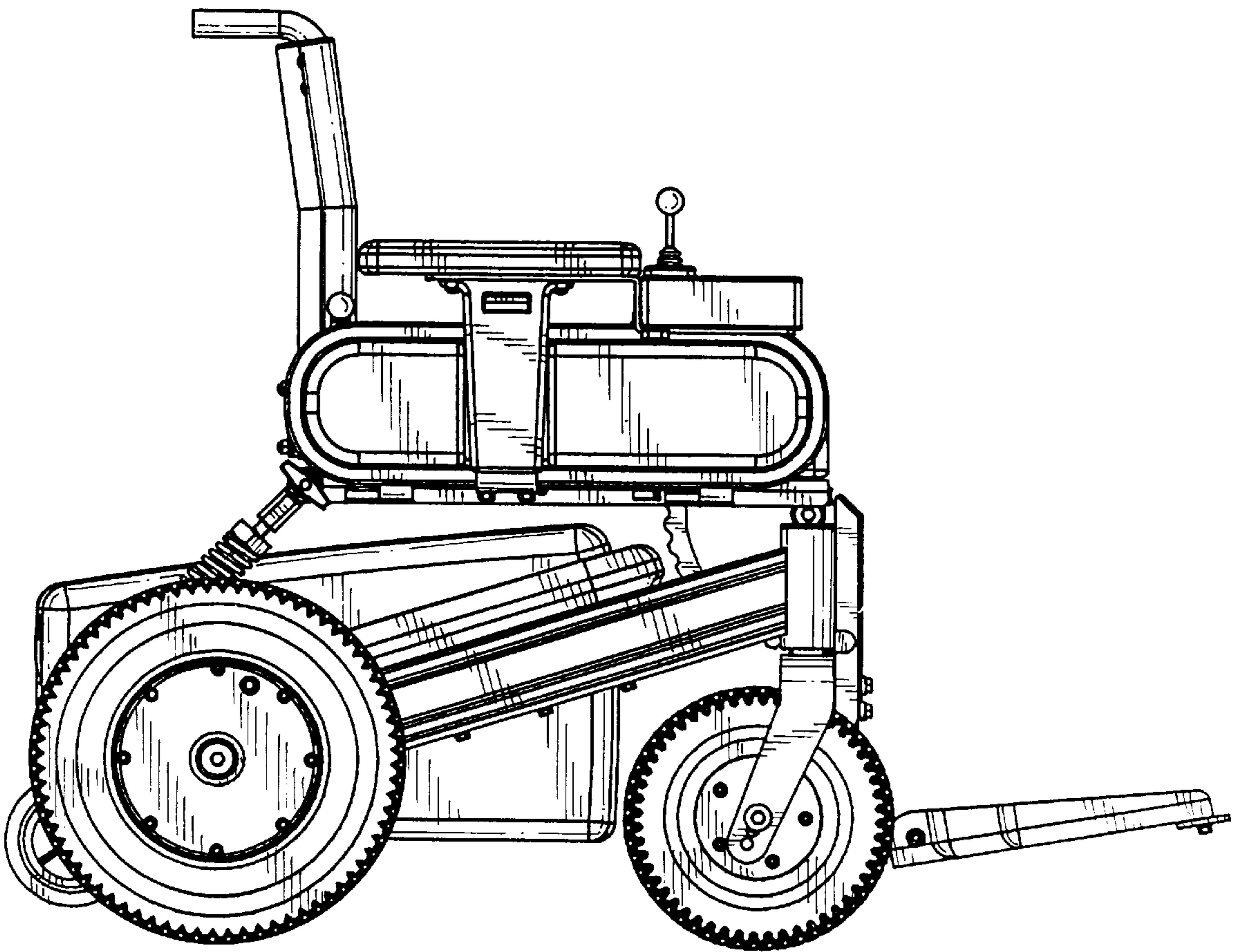


FIG. 6

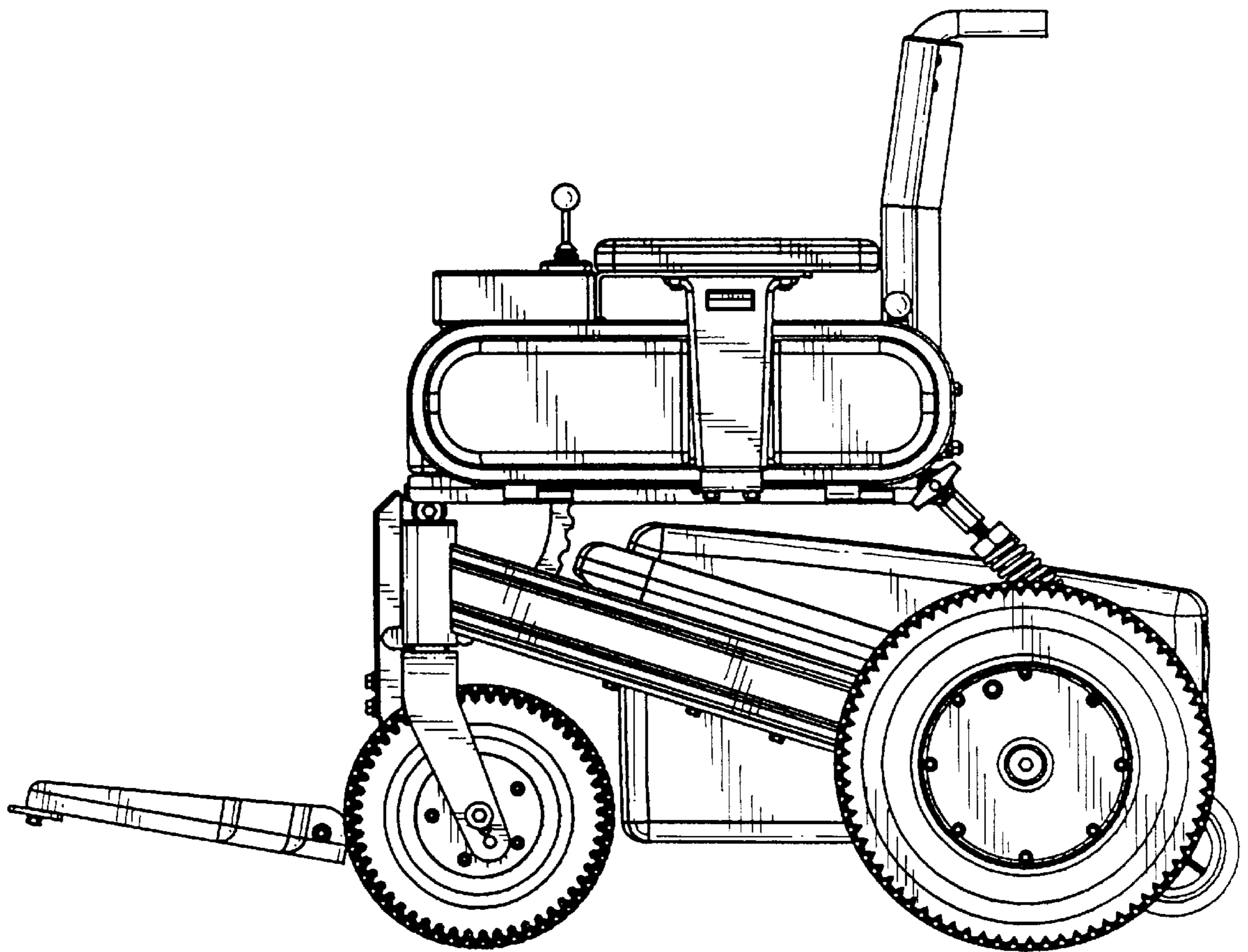


FIG. 7

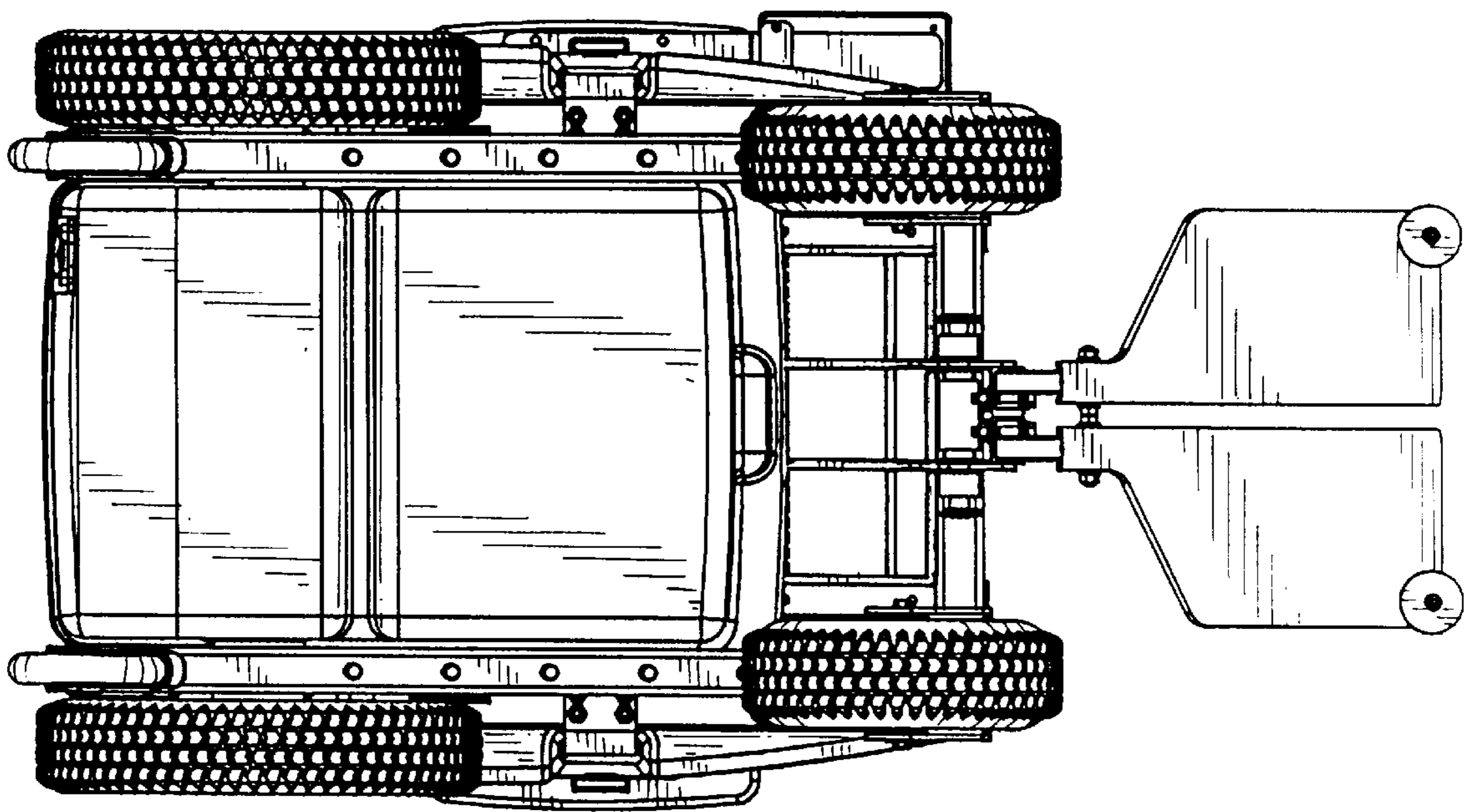


FIG. 8

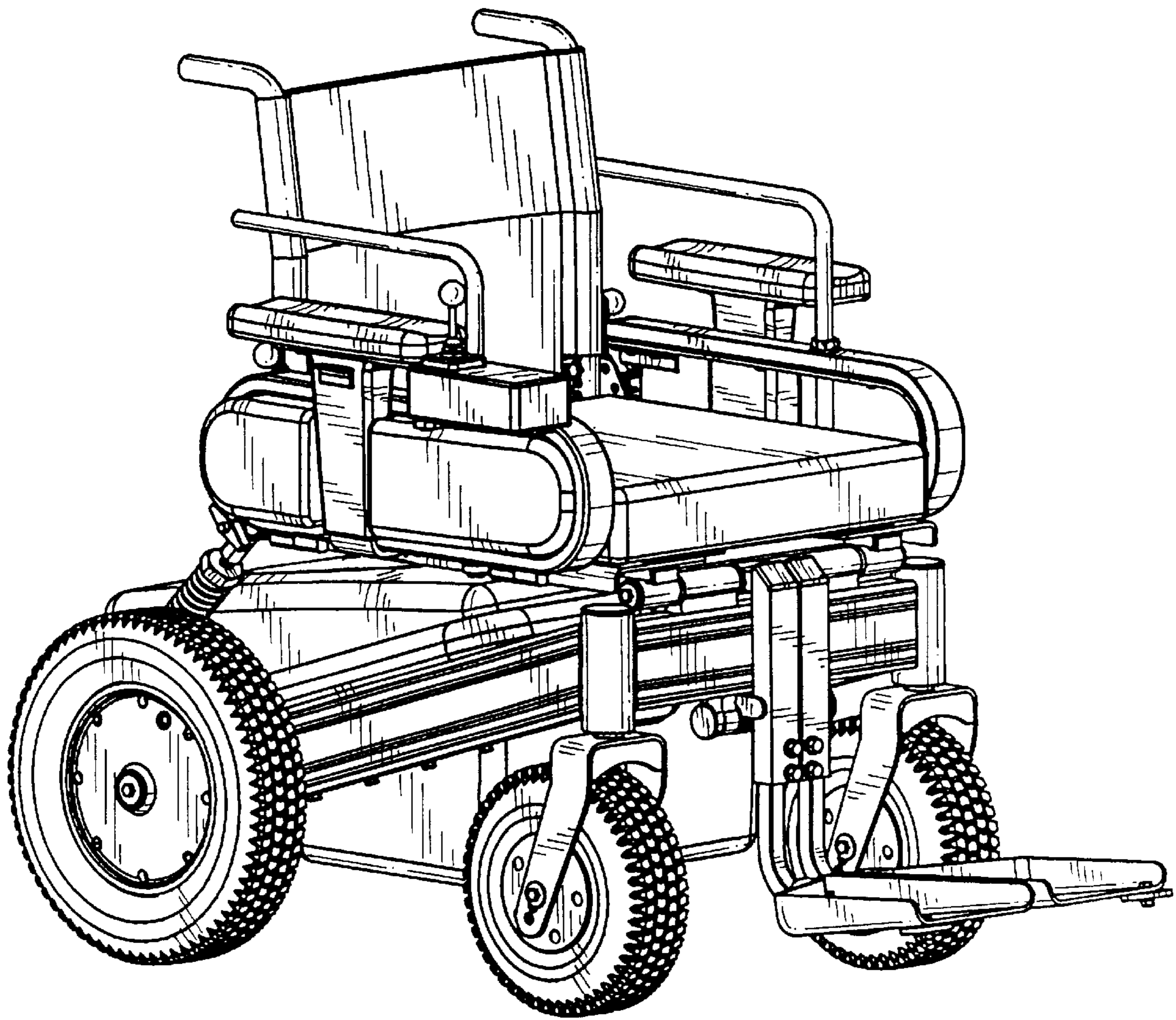


FIG. 9

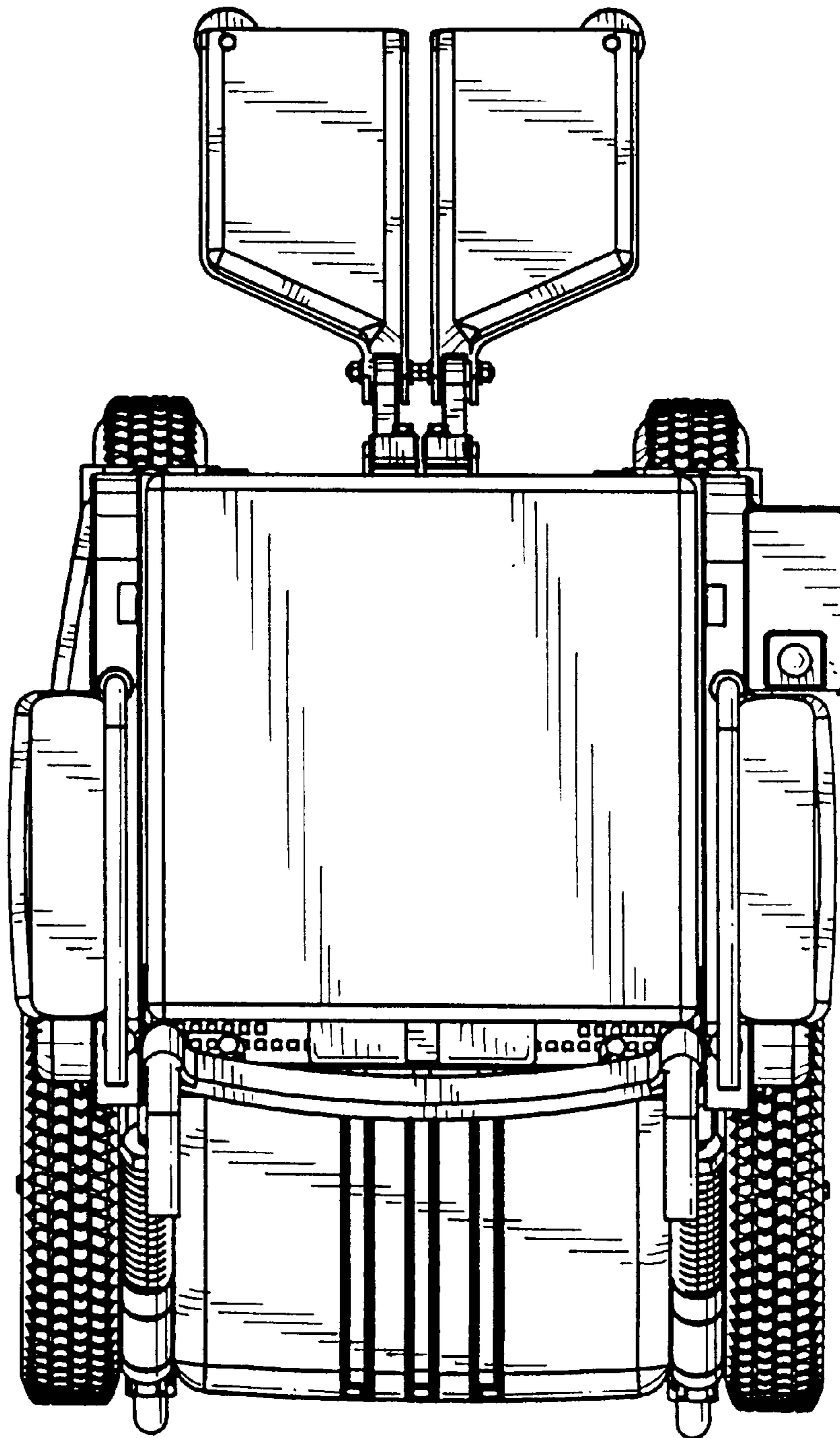


FIG. 10

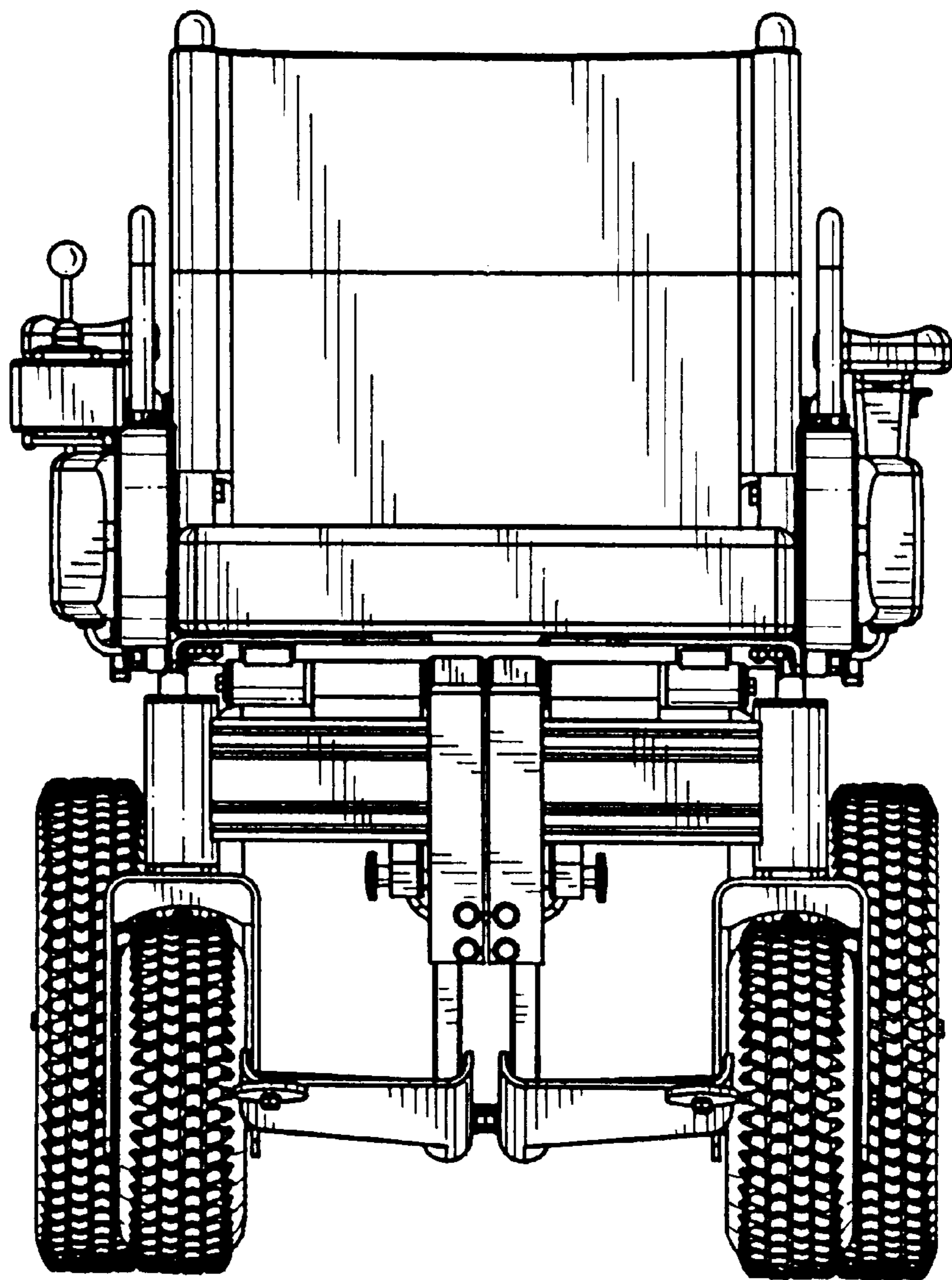


FIG. 11

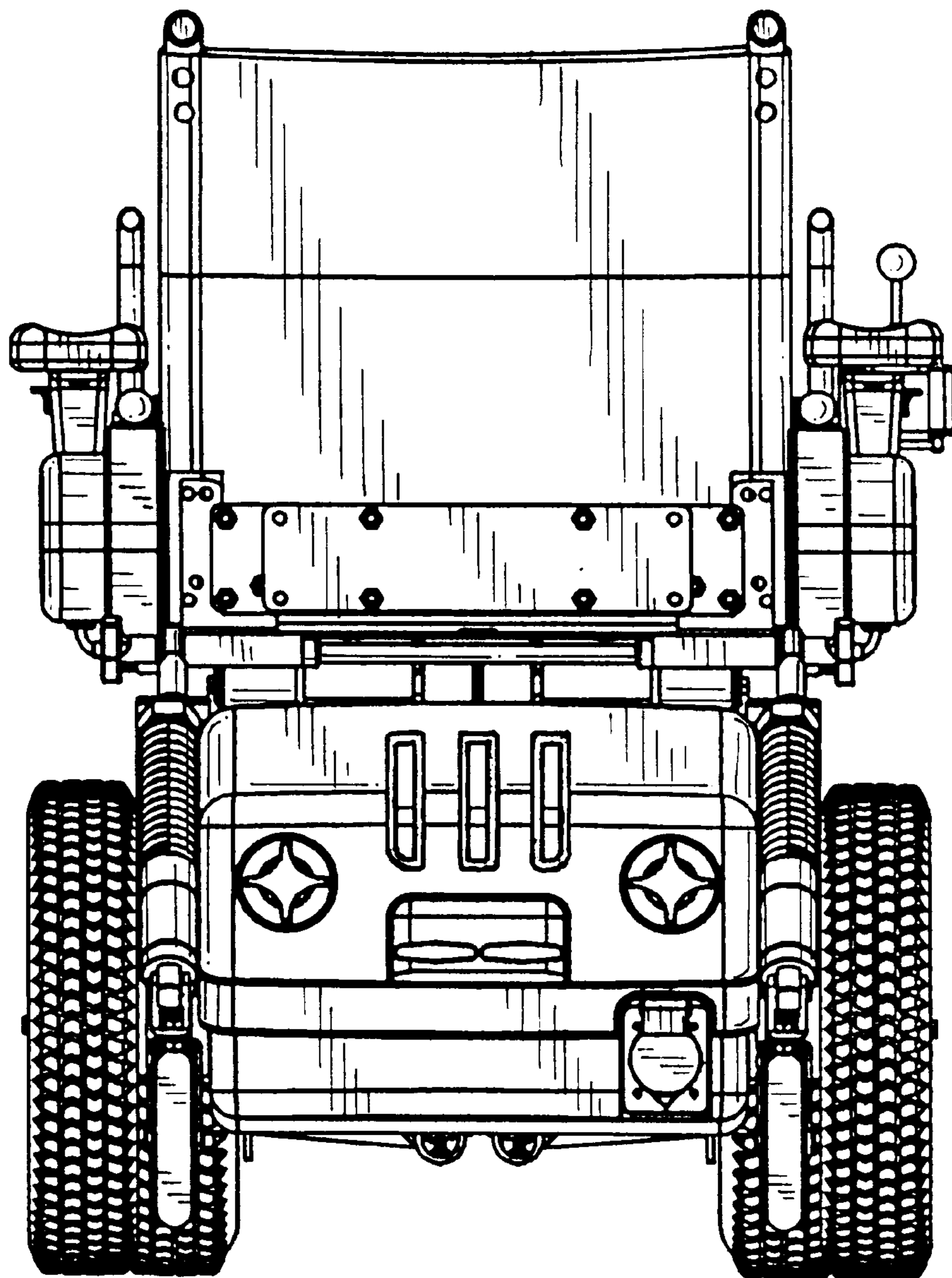


FIG. 12

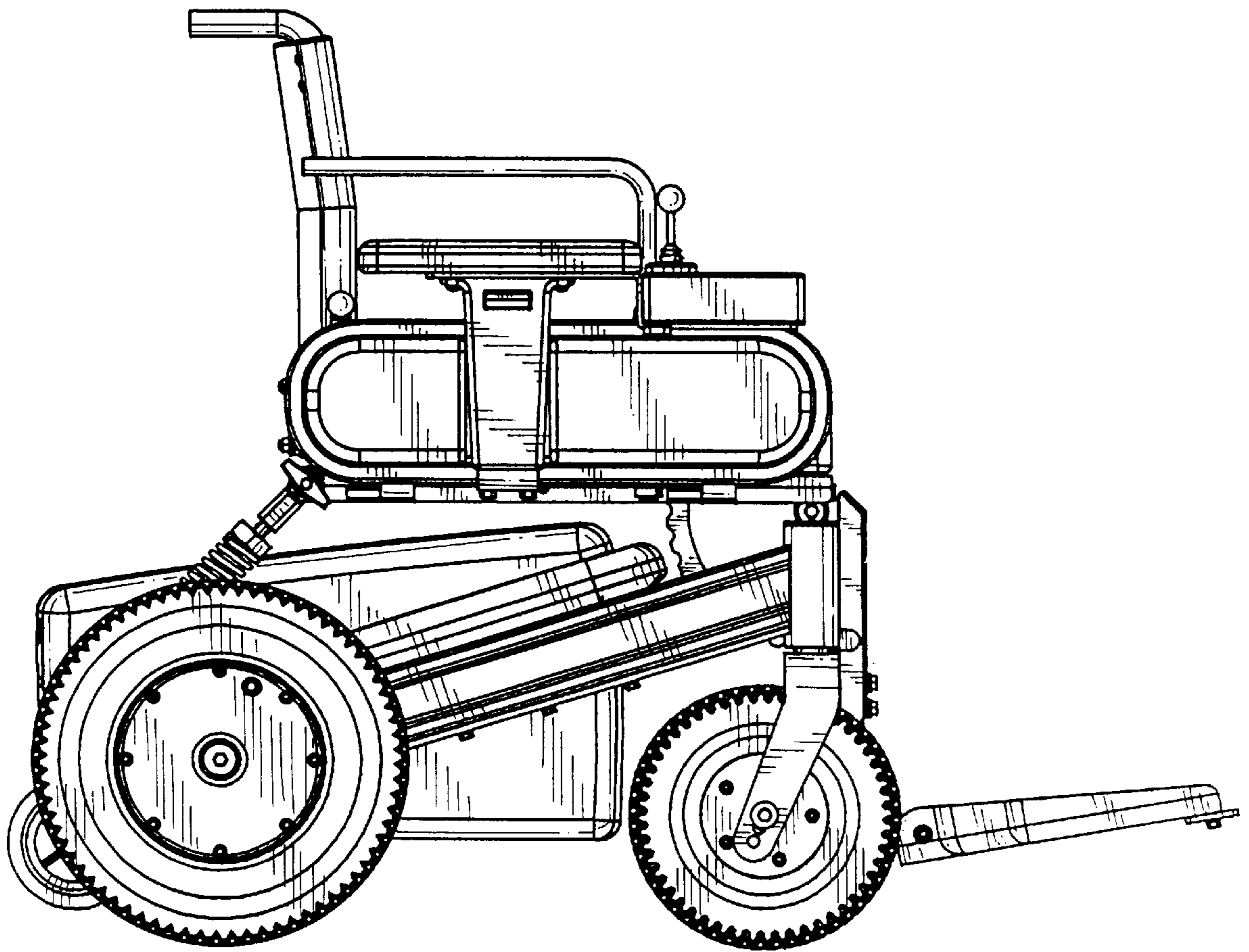


FIG. 13

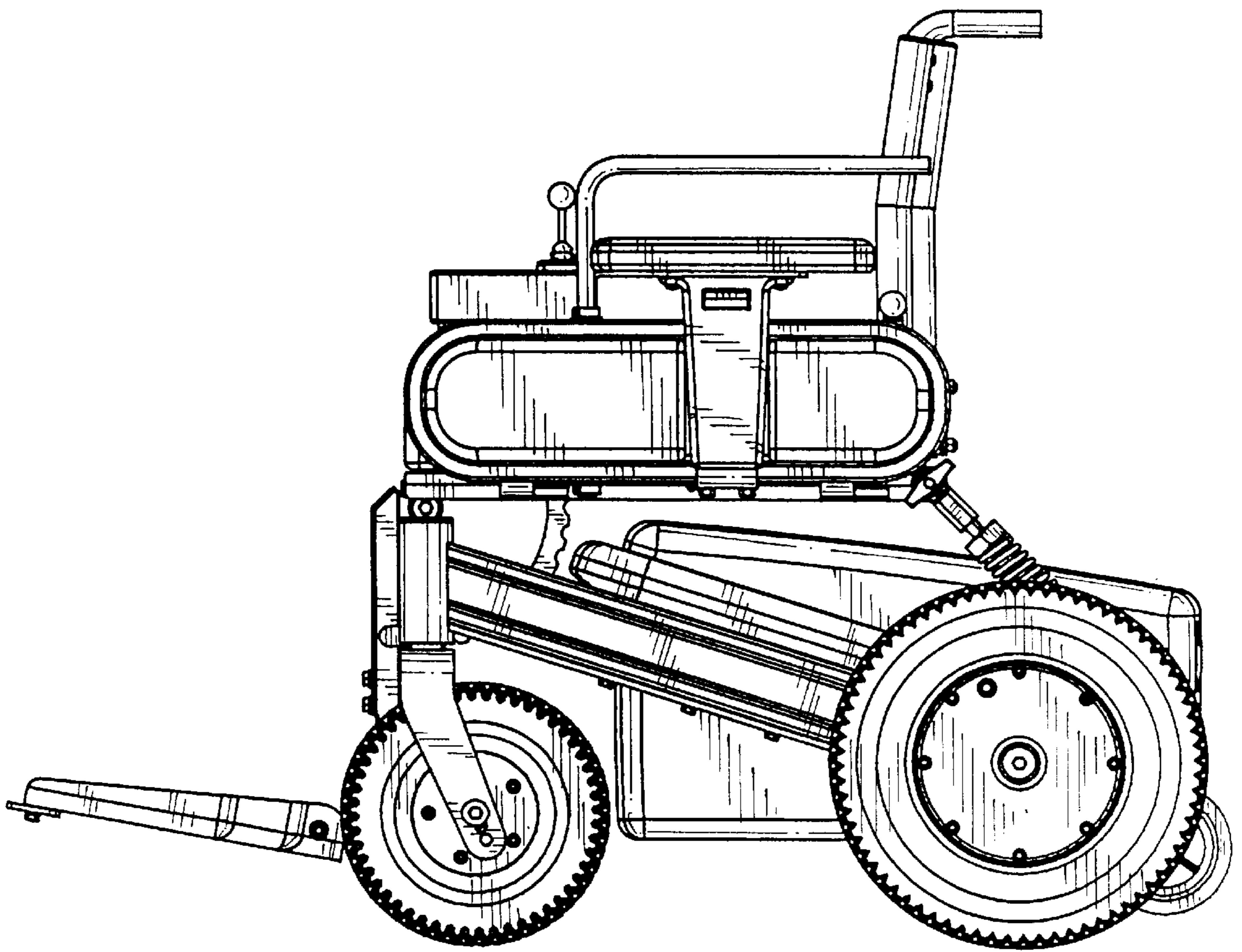


FIG. 14

