



US00D413553S

United States Patent [19]
Ferko, III

[11] **Patent Number: Des. 413,553**
[45] **Date of Patent: ** Sep. 7, 1999**

[54] **BACKBOARD**

5,819,746 10/1998 Walton 128/869

[76] Inventor: **Joseph G. Ferko, III**, 412 Park Creek Rd., Pasadena, Md. 21122

Primary Examiner—Kay H. Chin
Attorney, Agent, or Firm—Roylance, Abrams, Berdo & Goodman, L.L.P.

[**] Term: **14 Years**

[57] **CLAIM**

[21] Appl. No.: **29/094,498**

The ornamental design for a backboard, as shown and described.

[22] Filed: **Oct. 2, 1998**

DESCRIPTION

[51] **LOC (6) Cl.** **12-12**

[52] **U.S. Cl.** **D12/128; D12/133**

[58] **Field of Search** **D12/128-133;**
5/625, 627, 628; 128/845, 846, 869

FIG. 1 is a perspective view of the backboard in a preferred embodiment;

FIG. 2 is a bottom view of the backboard of FIG. 1;

FIG. 3 is a top plan view of the backboard of FIG. 1;

FIG. 4 is a right side elevational view of the backboard of FIG. 1 wherein the left side elevation view is identical;

FIG. 5 is an end view of the backboard as seen from the right side of FIG. 4, wherein the left end view is identical; and,

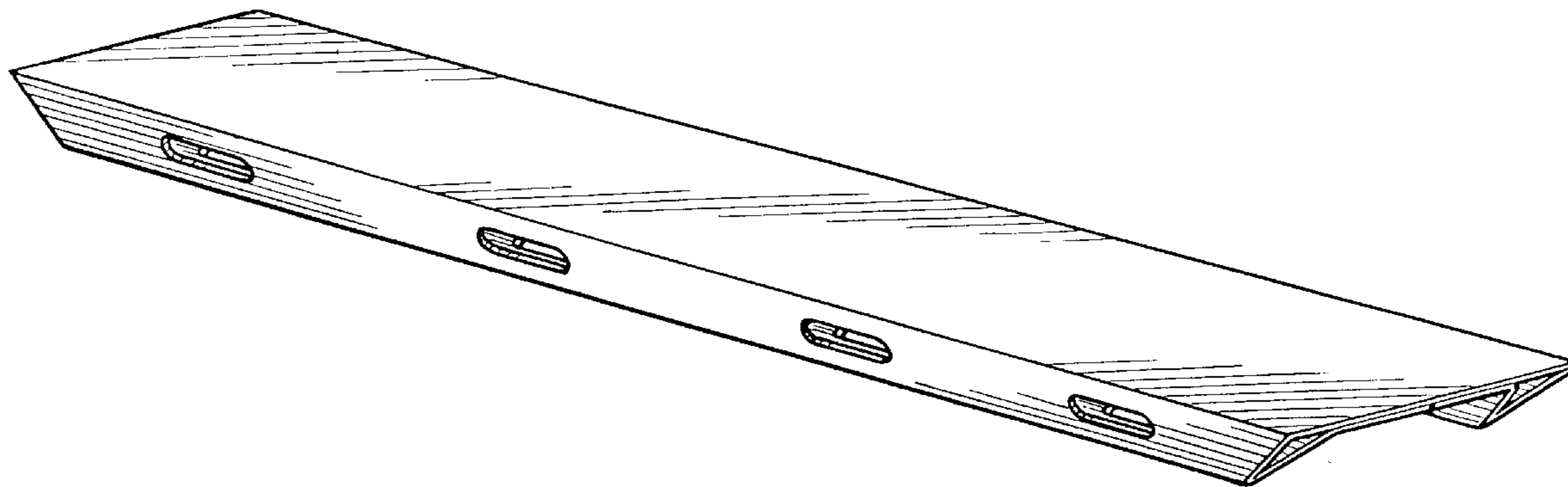
FIG. 6 is a partial cross-sectional view of the backboard taken along line 6—6 of FIG. 1.

[56] **References Cited**

U.S. PATENT DOCUMENTS

D. 338,177	8/1993	Kimball	D12/128
D. 379,784	6/1997	Muhanna et al.	D12/128
4,369,982	1/1983	Hein et al.	5/625
5,560,059	10/1996	McQueen	5/625
5,568,662	10/1996	Gougelet	5/625

1 Claim, 2 Drawing Sheets



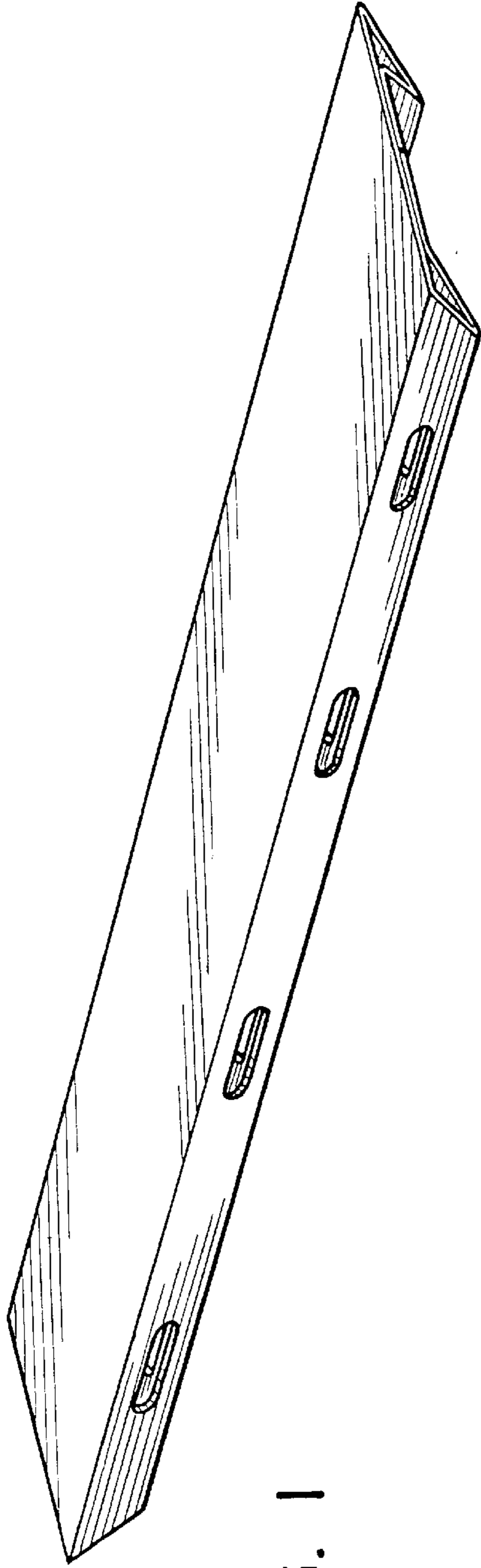


FIG. 1

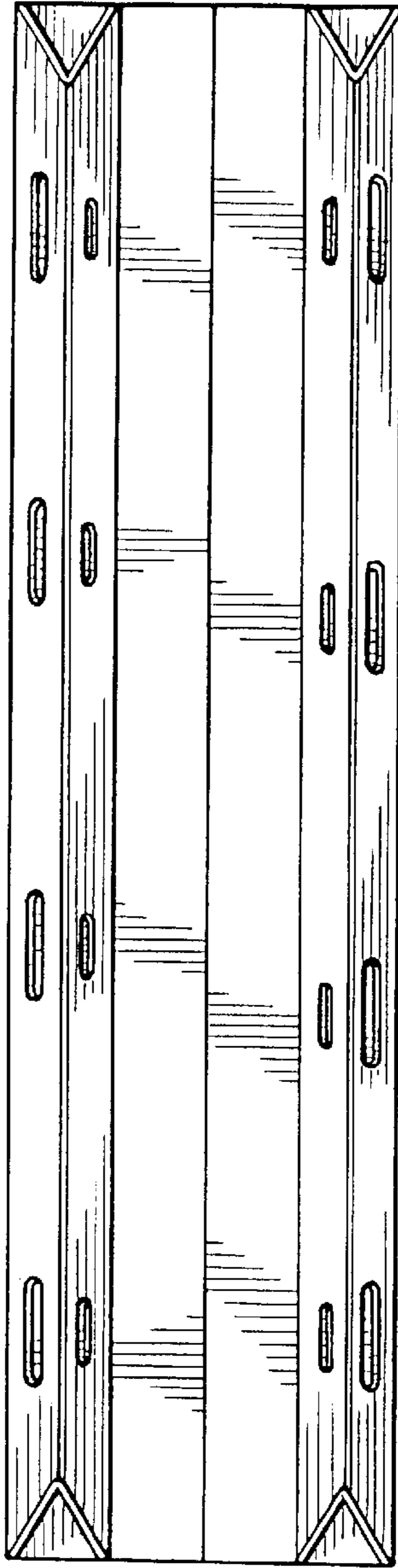


FIG. 2

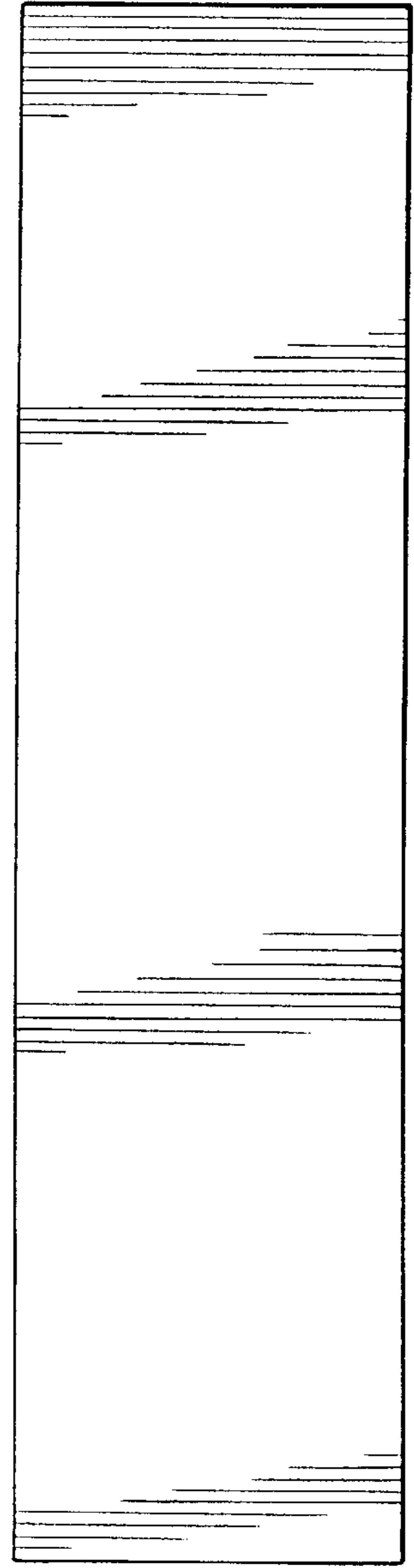


FIG. 3

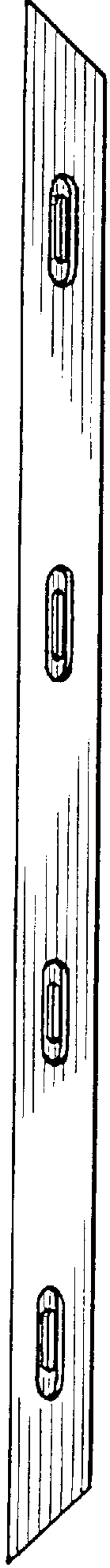


FIG. 4

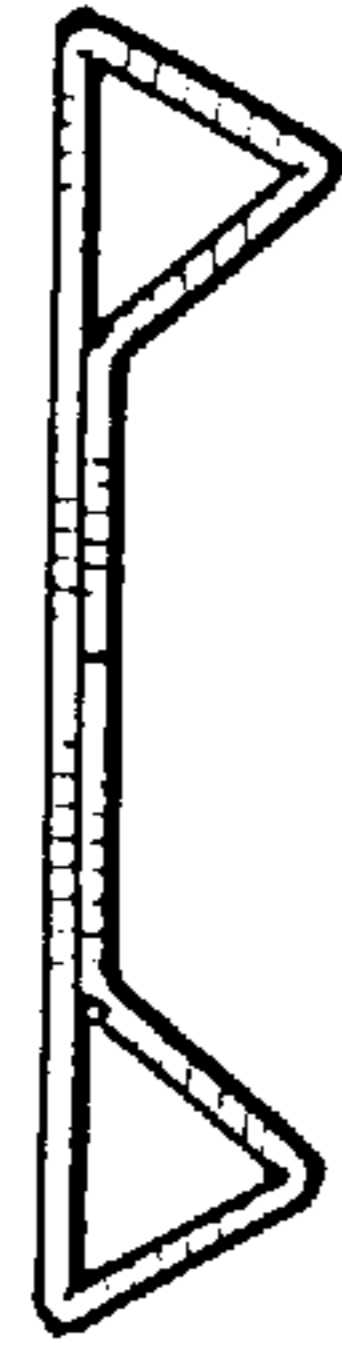


FIG. 5

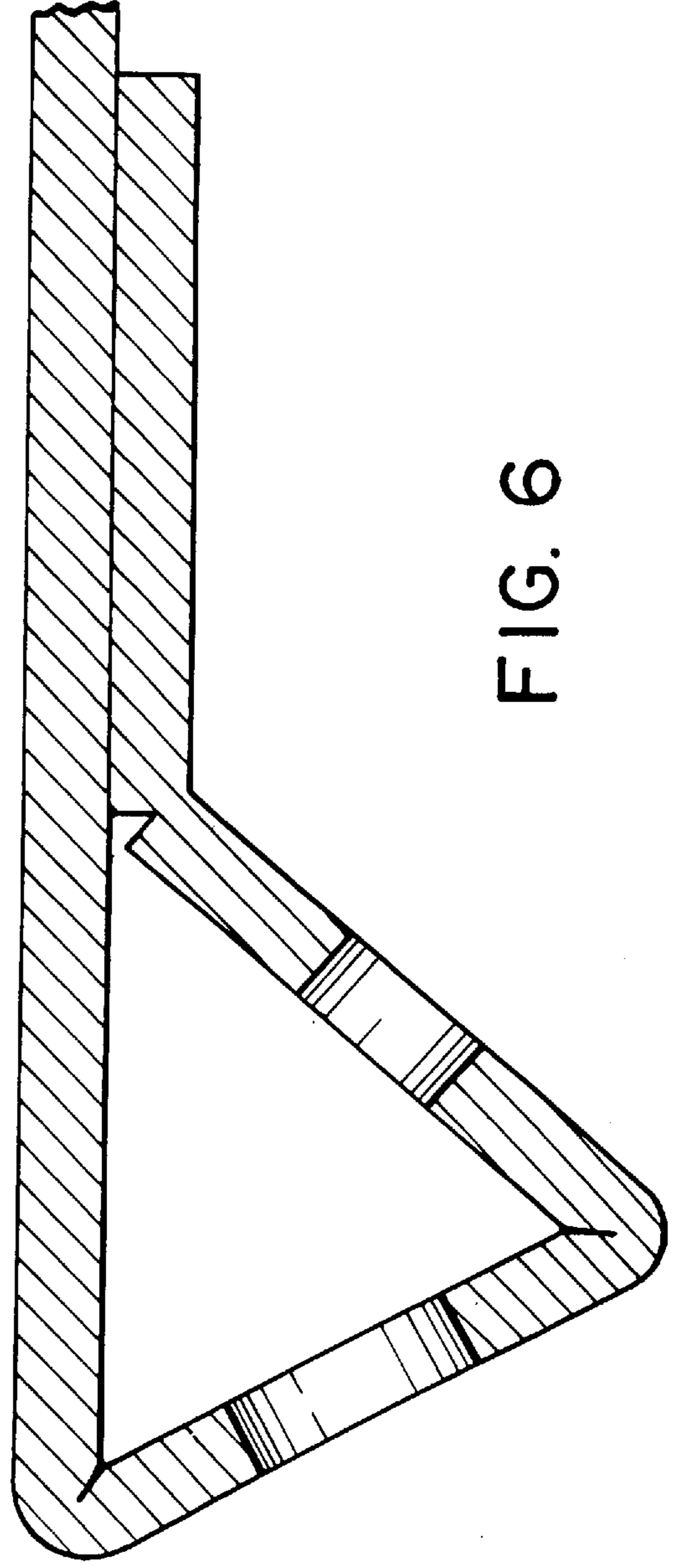


FIG. 6