



US00D413550S

United States Patent [19]

Otterson et al.

[11] Patent Number: Des. 413,550

[45] Date of Patent: ** Sep. 7, 1999

[54] CART TUGGER

[75] Inventors: Daniel L. Otterson, Stacy; Paul F. Stephan, Brook Park, both of Minn.

[73] Assignee: Smarte Carte, Inc., White Bear Lake, Minn.

[**] Term: 14 Years

[21] Appl. No.: 29/074,966

[22] Filed: Aug. 7, 1997

[51] LOC (6) Cl. 12-14

[52] U.S. Cl. D12/1

[58] Field of Search D12/1, 14, 85; 180/19.1, 19.2; 280/11, 33.991, 33.992, 510, DIG. 5; D34/15, 34

[56] **References Cited**

U.S. PATENT DOCUMENTS

D. 355,148	2/1995	Orsolini	D12/85
2,879,858	3/1959	Thomas	.	
3,312,300	4/1967	Jones	.	
4,185,711	1/1980	Lawrence et al.	.	
5,082,074	1/1992	Fischer	.	

5,322,306	6/1994	Coleman	.	
5,439,069	8/1995	Beeler	.	
5,735,361	4/1998	Forrest	180/19.2 X
5,860,485	1/1999	Ebbenga	180/19.2

FOREIGN PATENT DOCUMENTS

23 50 308	4/1975	Germany	.
24 50 692	4/1976	Germany	.
WO 90/11922	10/1990	WIPO	.

Primary Examiner—Nelson C. Holtje
Attorney, Agent, or Firm—Merchant & Gould P.C.

[57] **CLAIM**

The ornamental design for cart tugger, as shown and described.

DESCRIPTION

FIG. 1 is a perspective view of the cart tugger incorporating our new design;
FIG. 2 is a left side elevational view thereof;
FIG. 3 is a right side elevational view thereof;
FIG. 4 is a front view thereof;
FIG. 5 is a rear view thereof; and,
FIG. 6 is a top view thereof.

1 Claim, 6 Drawing Sheets

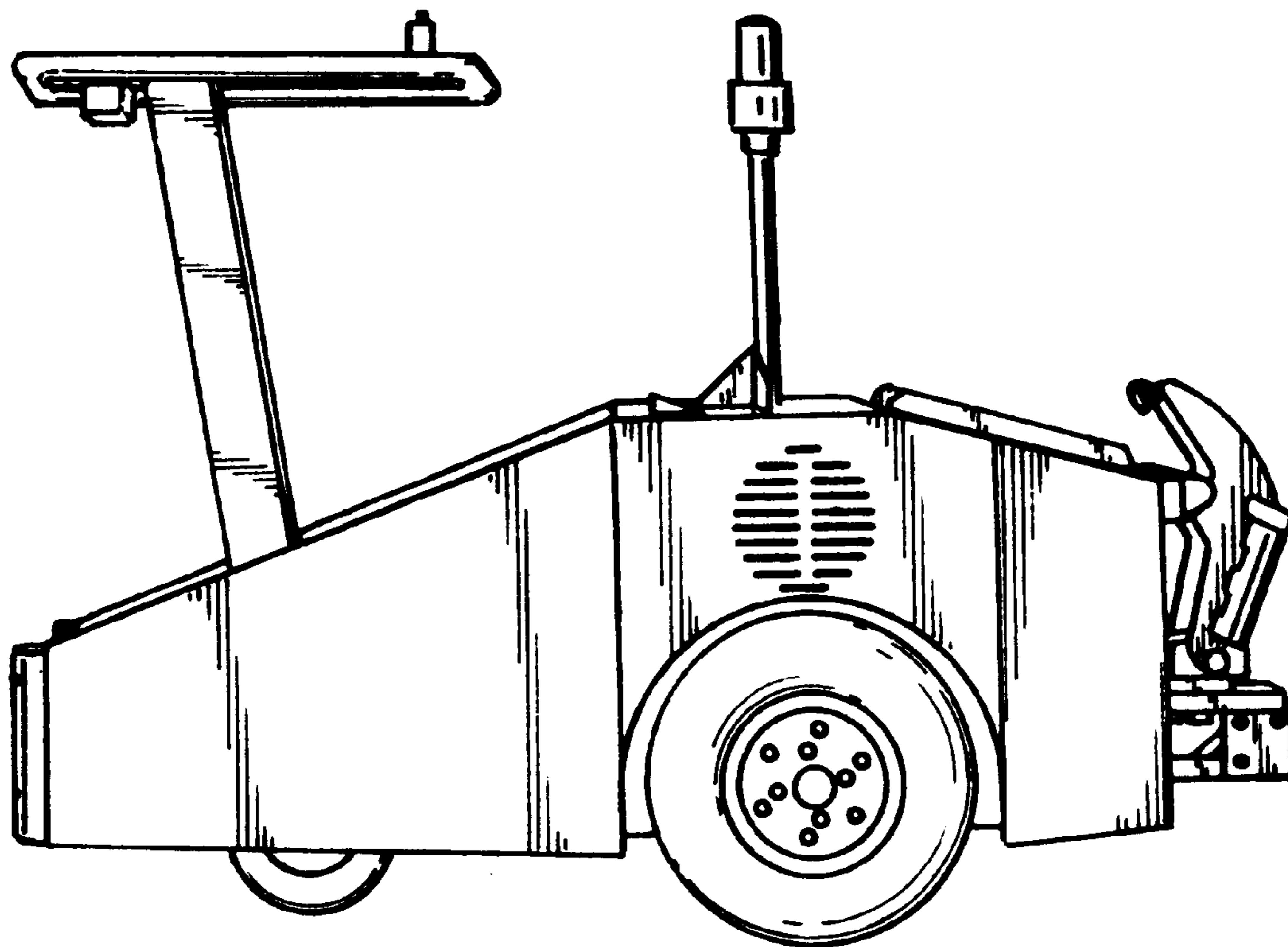


FIG. 1

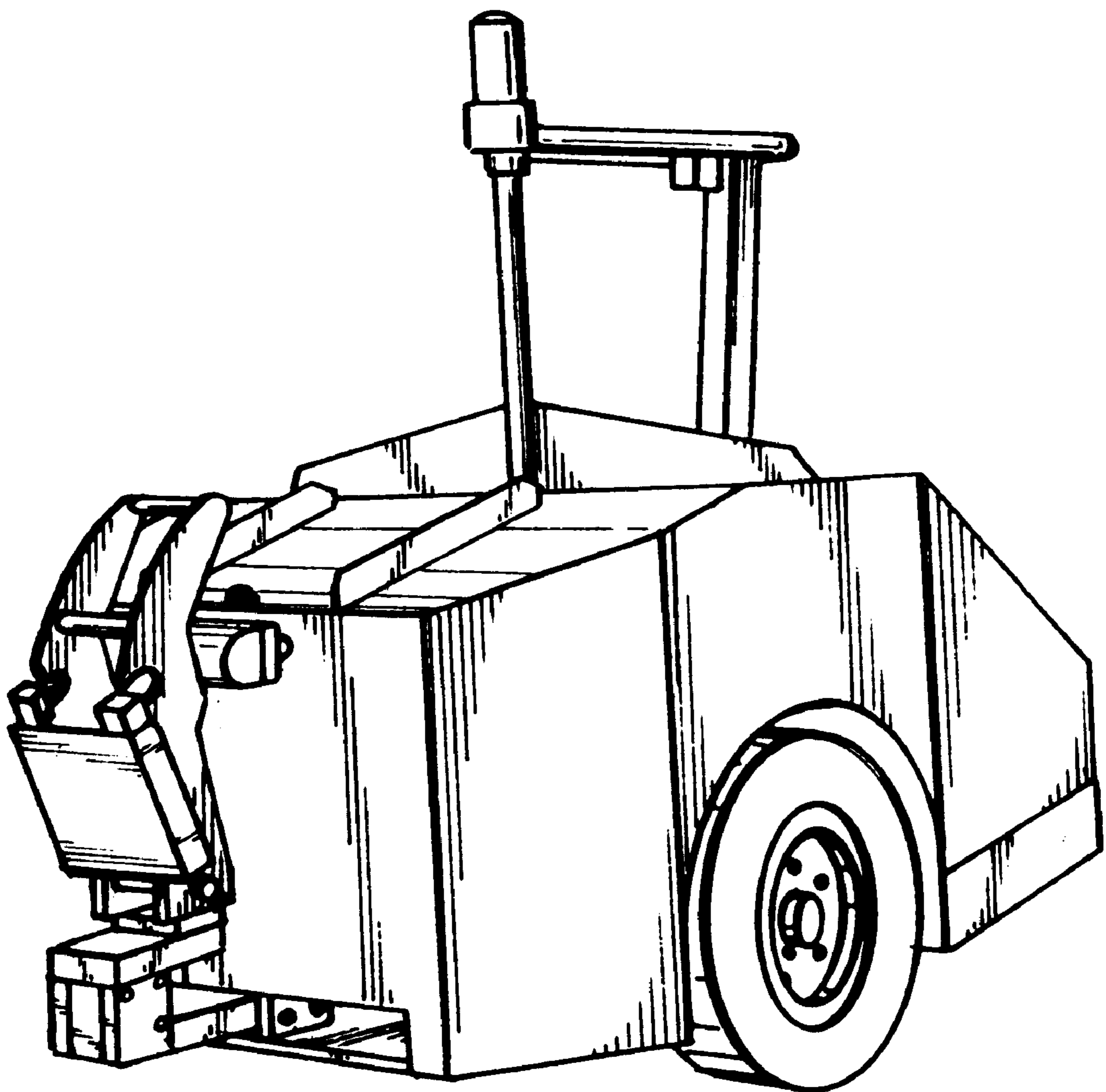


FIG. 2

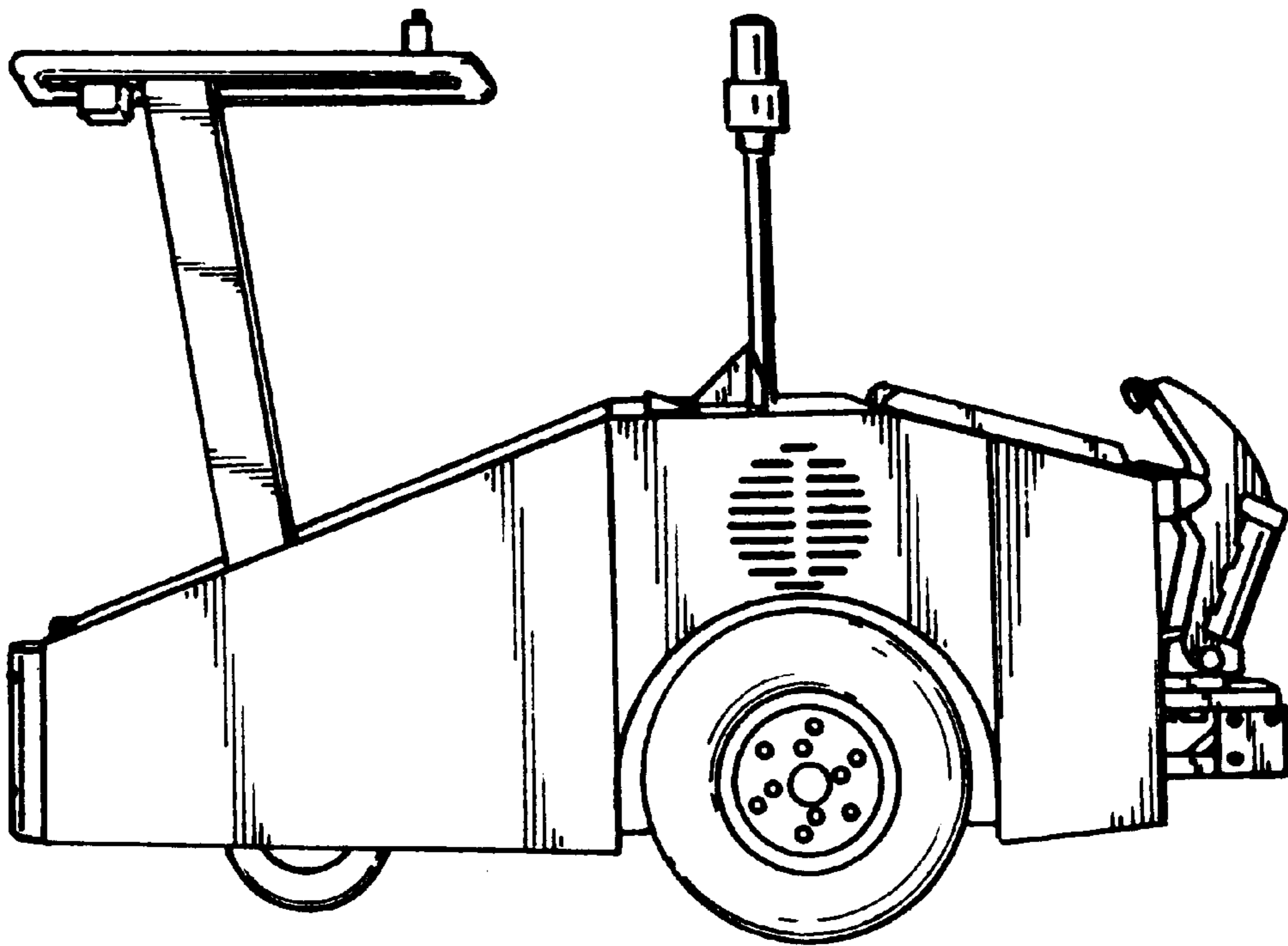


FIG. 3

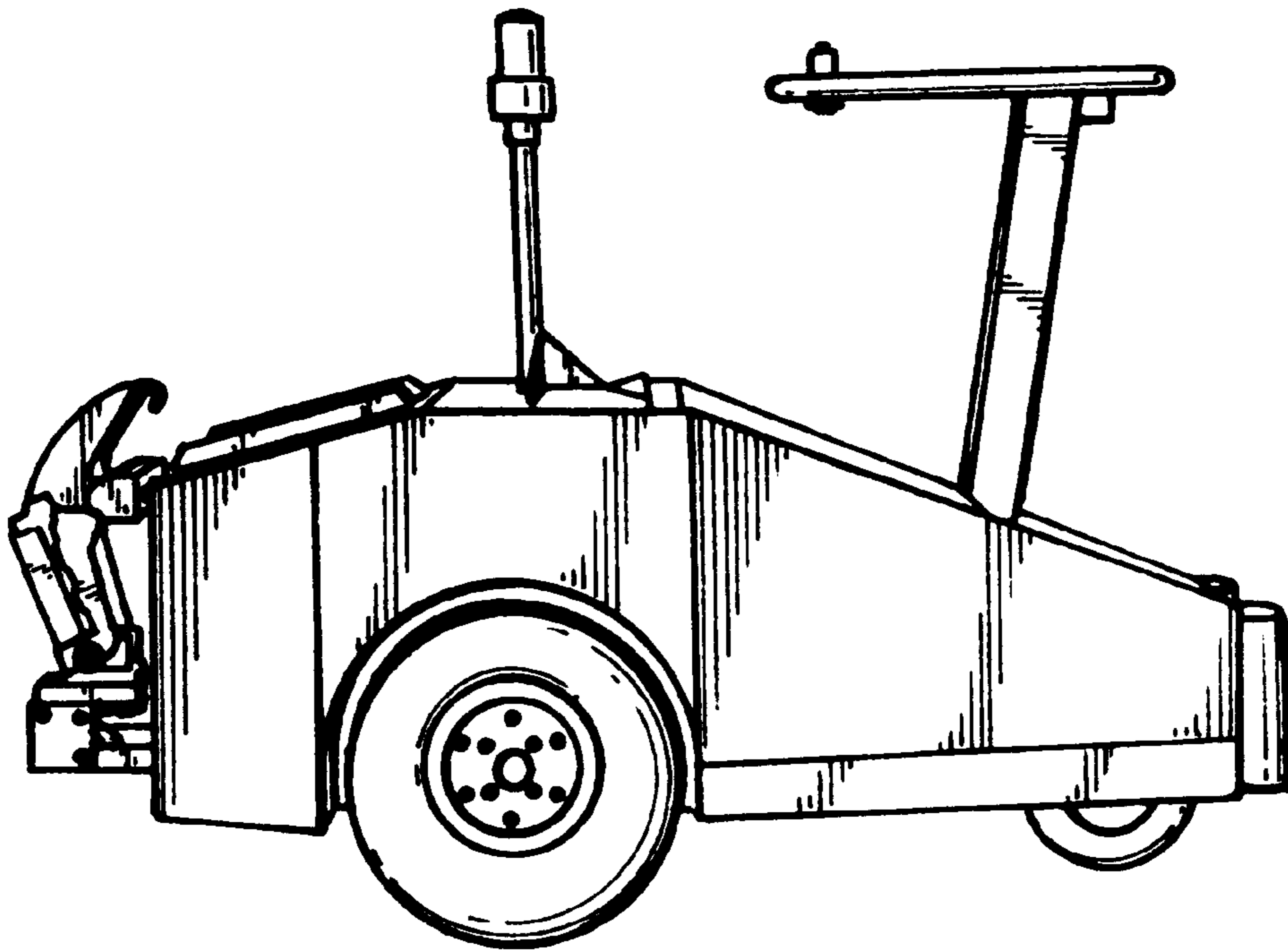


FIG. 4

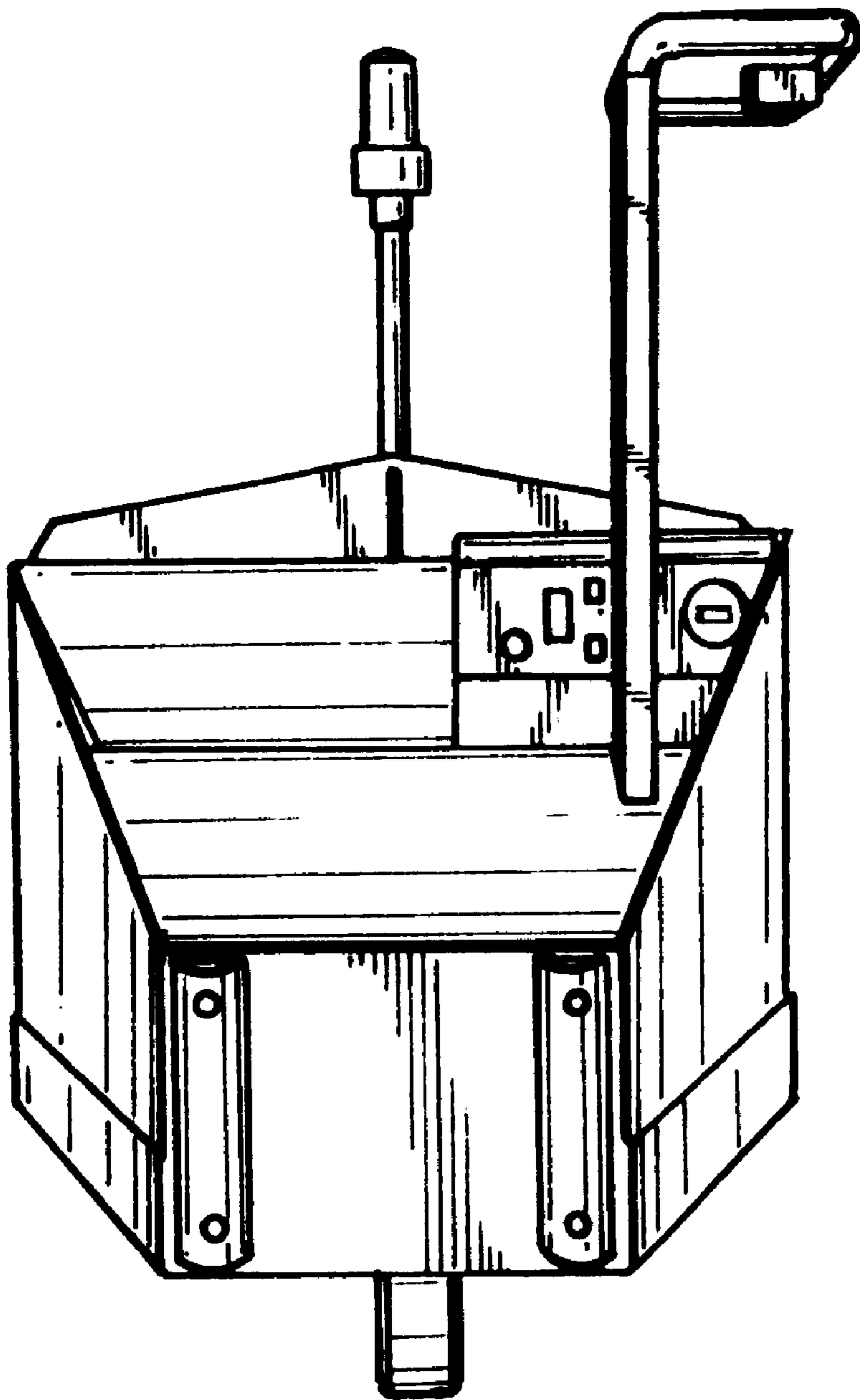


FIG. 5

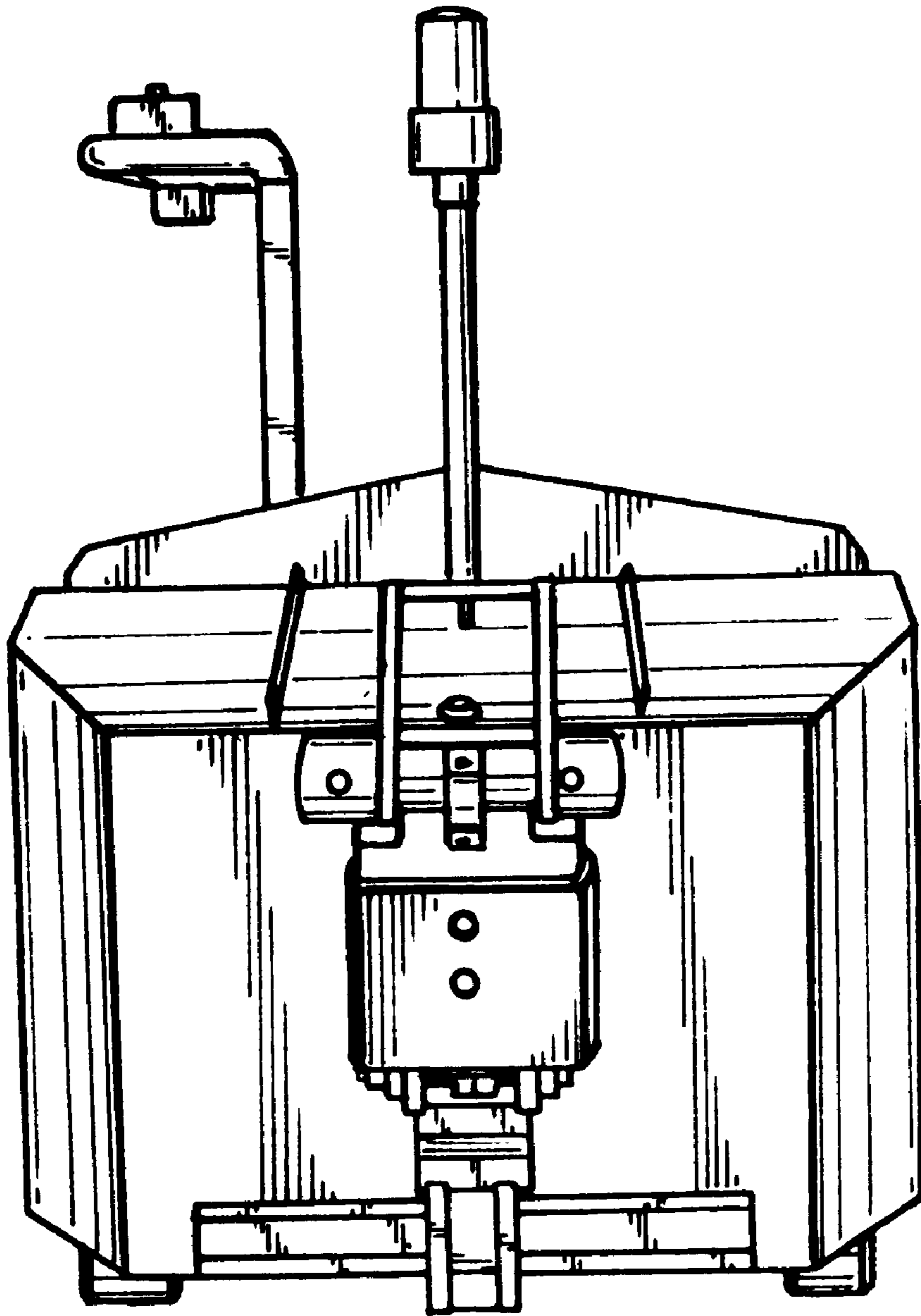


FIG. 6

