



US00D413546S

United States Patent [19] Gasper

[11] Patent Number: **Des. 413,546**

[45] Date of Patent: **** Sep. 7, 1999**

[54] VASE

[75] Inventor: **Ekkehart Gasper**, 10803 Colton St.,
Fairfax, Va. 22032

[73] Assignee: **Ekkehart Gasper**, Fairfax, Va.

[**] Term: **14 Years**

[21] Appl. No.: **29/073,619**

[22] Filed: **Jul. 11, 1997**

Related U.S. Application Data

[63] Continuation of application No. 08/679,819, Jul. 15, 1996,
Pat. No. 5,848,493.

[51] **LOC (6) Cl.** **11-02**

[52] **U.S. Cl.** **D11/146**

[58] **Field of Search** D11/143-156,
D11/164; D6/403, 556; 47/65.5, 66.7, 67,
72, 41.01, 41.11, 41.12, 41.13, 41.15; 206/423;
248/27.8

[56] References Cited

U.S. PATENT DOCUMENTS

D. 200,720	3/1965	Hennig	D11/144
D. 296,665	7/1988	Hofer	D9/504
D. 336,447	6/1993	Horvath	D11/146
D. 346,763	5/1994	Smith	D11/144

D. 356,054	3/1995	Roe et al.	D11/145
1,379,340	5/1921	Hegamin	24/6
2,492,039	12/1949	Gilowitz	239/44
2,782,296	2/1957	Walter	362/392
3,050,619	8/1962	Abramson	362/122
4,418,496	12/1983	Koistinen	47/41.12
4,418,497	12/1983	Mastriano	47/67
4,880,133	11/1989	Cullinane	220/737
5,195,270	3/1993	Domurat	47/41.01

FOREIGN PATENT DOCUMENTS

2670077	12/1990	France .
8-140805	6/1996	Japan .
WO 96/03028	2/1996	WIPO .

Primary Examiner—Caron D. Veynar
Attorney, Agent, or Firm—Oliff & Berridge, PLC

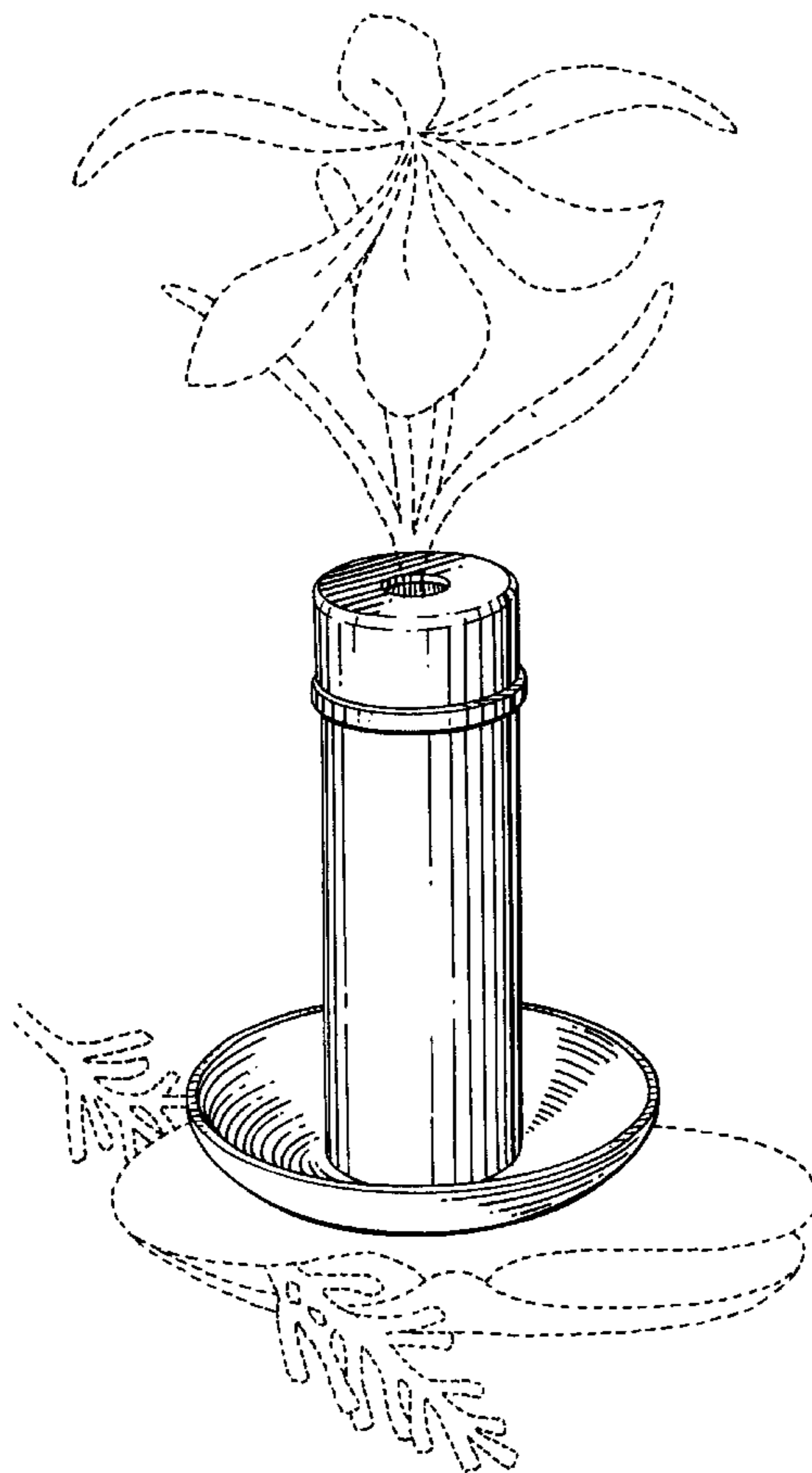
[57] CLAIM

The ornamental design for vase, as shown and described.

DESCRIPTION

FIG. 1 is a perspective view of the vase, the broken lines illustrating a flower, clip and tree branch are for illustrative purposes only and forms no part of the claimed design; FIG. 2 is a front view of the vase of FIG. 1, the rear and side views being identical; FIG. 3 is a top view of the vase of FIG. 1; and, FIG. 4 is a bottom view of the vase of FIG. 1.

1 Claim, 3 Drawing Sheets



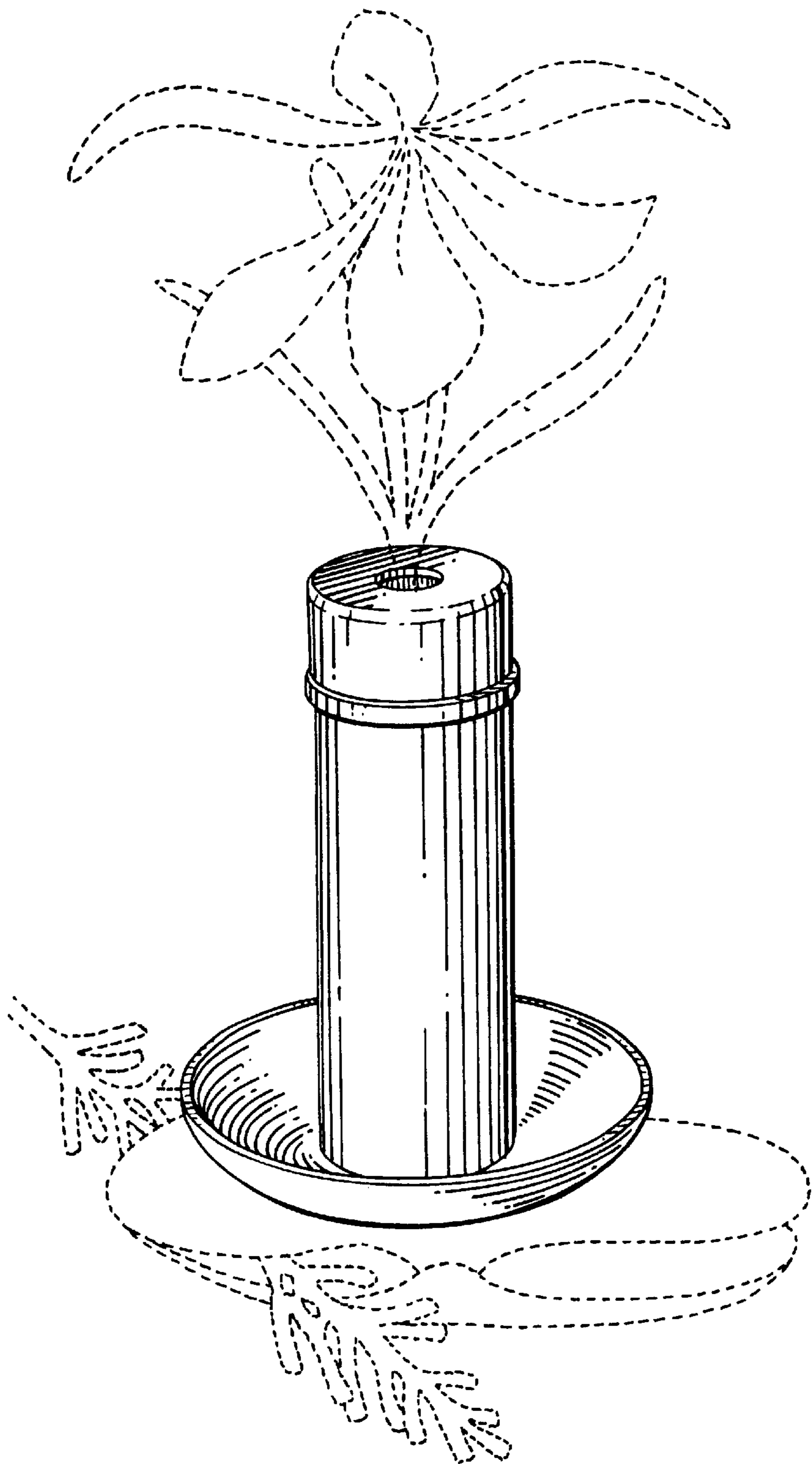


FIG. 1

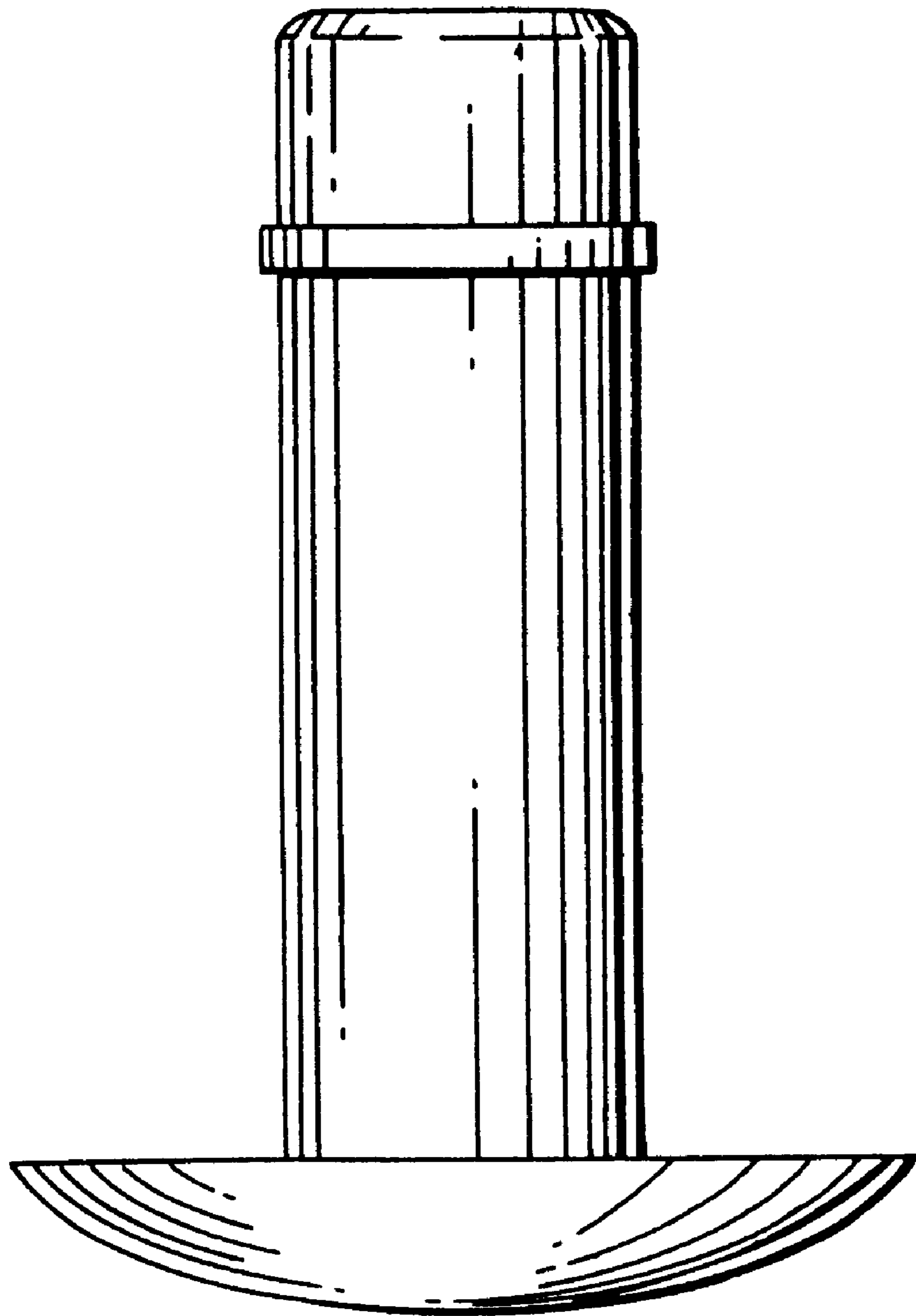


FIG. 2

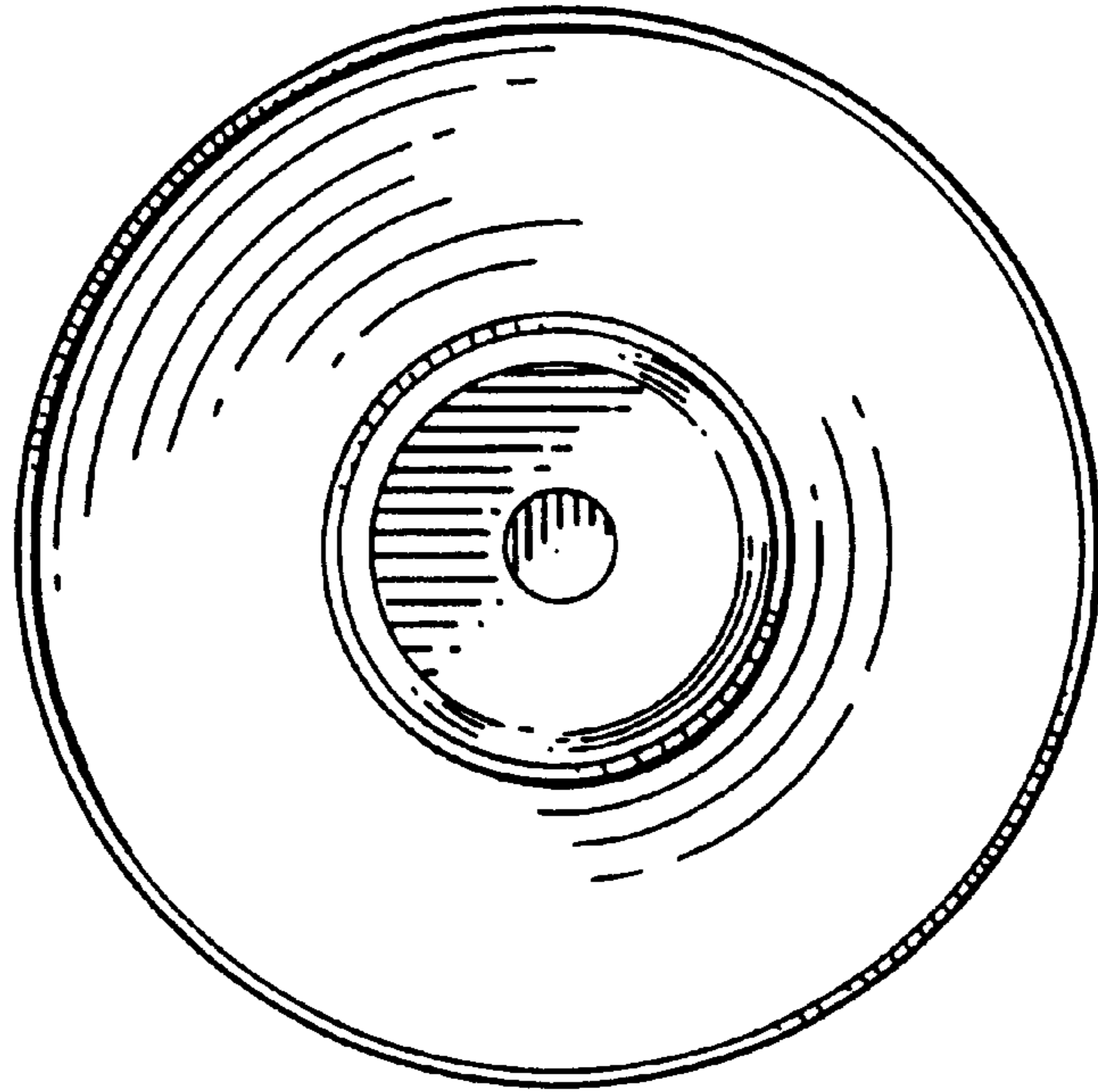


FIG. 3

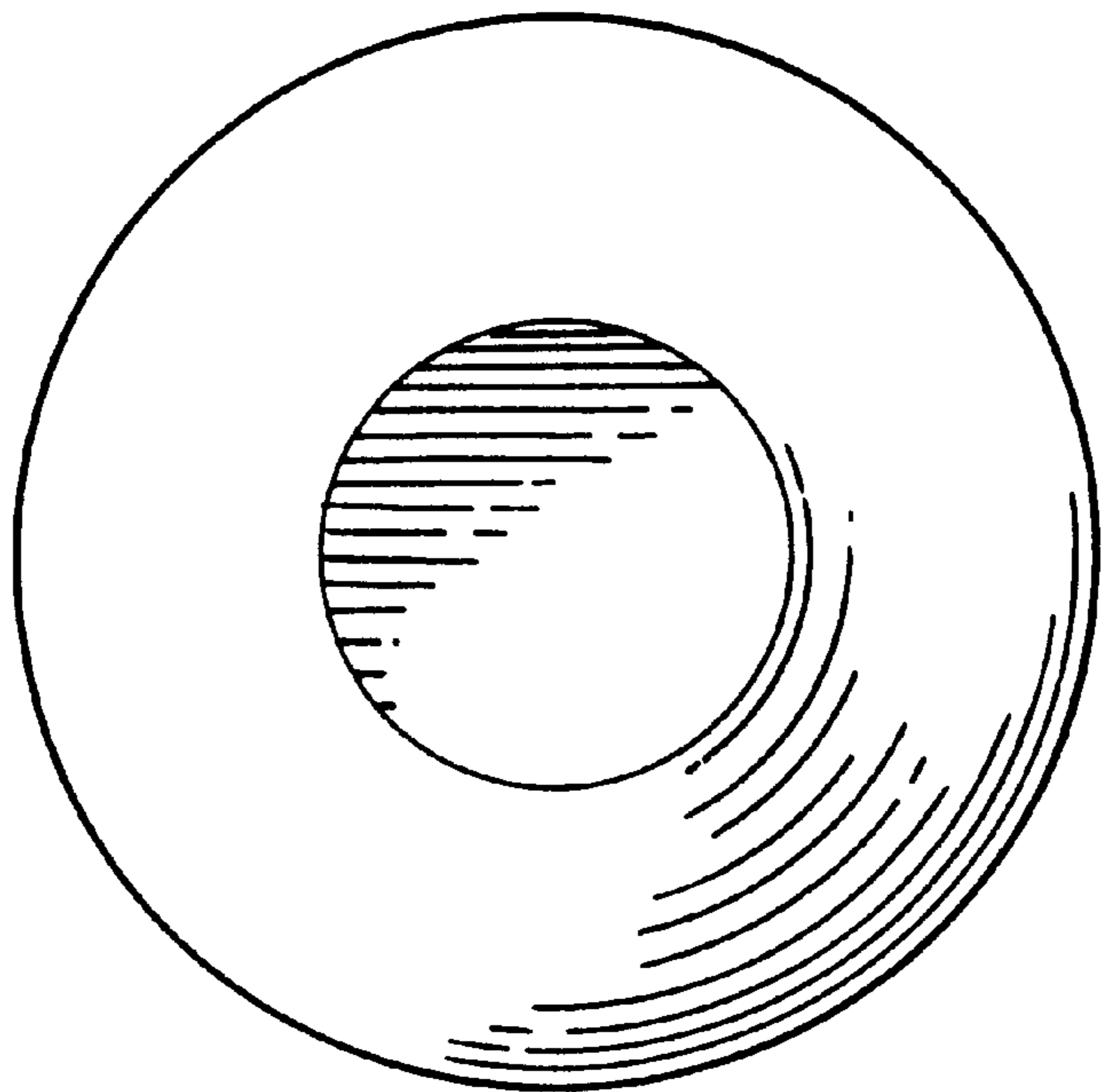


FIG. 4