



US00D413540S

United States Patent [19]
Femböck

[11] **Patent Number: Des. 413,540**
[45] **Date of Patent: ** Sep. 7, 1999**

[54] **LIGHTING SENSOR COLUMN**

[75] Inventor: **Josef Femböck**, Neuötting, Germany

[73] Assignee: **INES Elektronik-Systementwicklungs-Productions GmbH**, Muldorf, Germany

[**] Term: **14 Years**

[21] Appl. No.: **29/095,169**

[22] Filed: **Oct. 16, 1998**

[30] **Foreign Application Priority Data**

Apr. 17, 1998 [DE] Germany M 98 03 993

[51] **LOC (6) Cl.** **10-05**

[52] **U.S. Cl.** **D10/106**

[58] **Field of Search** D26/1, 2, 3; 313/313,
313/318, 485, 493; 340/540, 541, 546,
555, 571, 572.1, 573.1

[56] **References Cited**

U.S. PATENT DOCUMENTS

D. 248,501 7/1978 Fridrich et al. D26/3

- D. 354,360 1/1995 Murata D26/3
- D. 375,371 11/1996 May D26/28
- D. 384,428 9/1997 Sato et al. D26/3
- D. 386,102 11/1997 Manneschi D10/106
- D. 400,461 11/1998 Cardinal D10/106

Primary Examiner—Marcus A. Jackson
Attorney, Agent, or Firm—Nawrocki, Rooney & Sivertson, P.A.

[57] **CLAIM**

The ornamental design for a lighting sensor column, as shown and described.

DESCRIPTION

FIG. 1 is a perspective view of a lighting sensor column showing ny new design;
FIG. 2 is a top plan view thereof;
FIG. 3 is a bottom view thereof;
FIG. 4 is a right side view thereof; and
FIG. 5 is a left side view thereof; and
FIG. 6 is a rear view thereof; and,
FIG. 7 is a front view thereof.

1 Claim, 4 Drawing Sheets

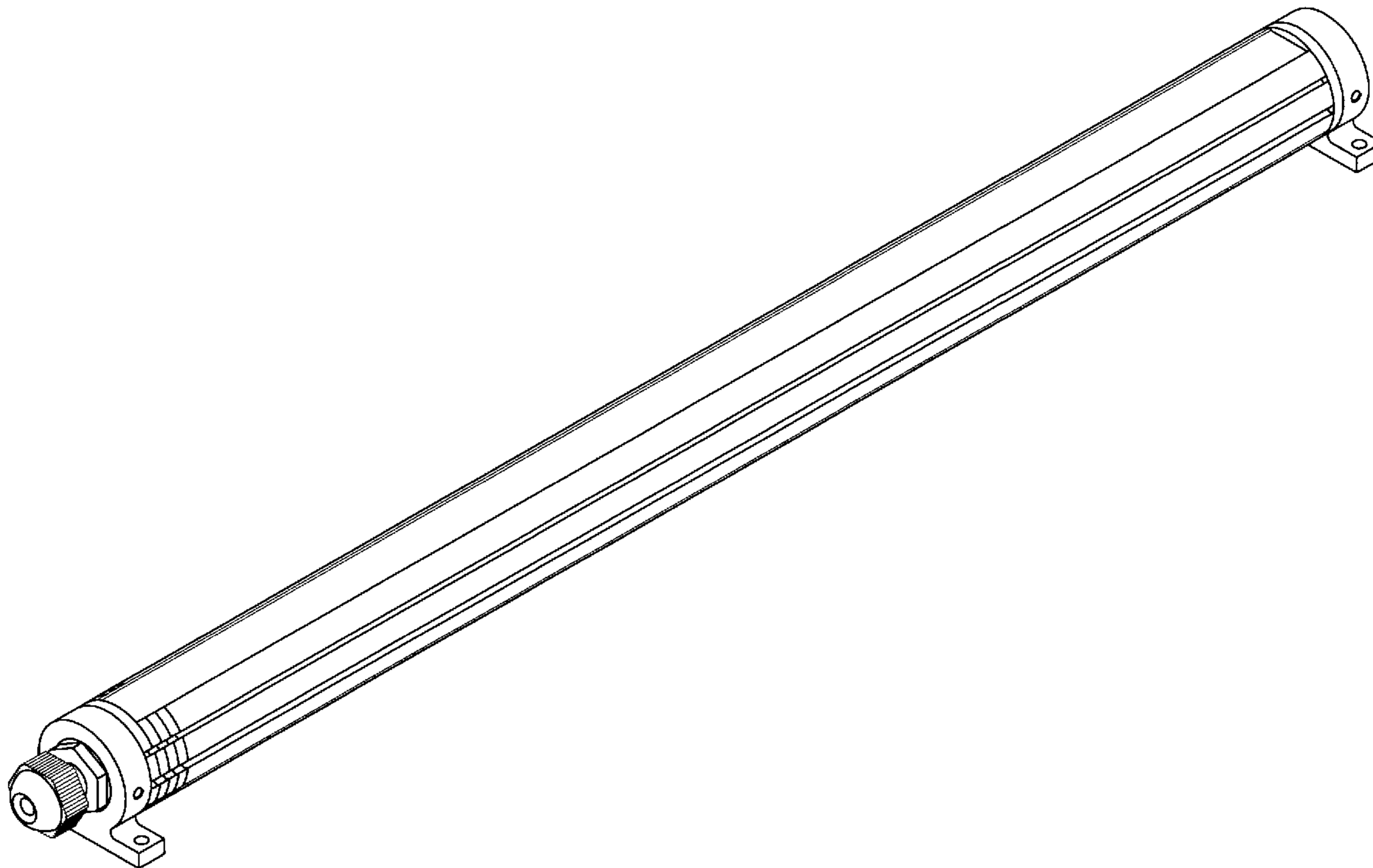


FIG 1

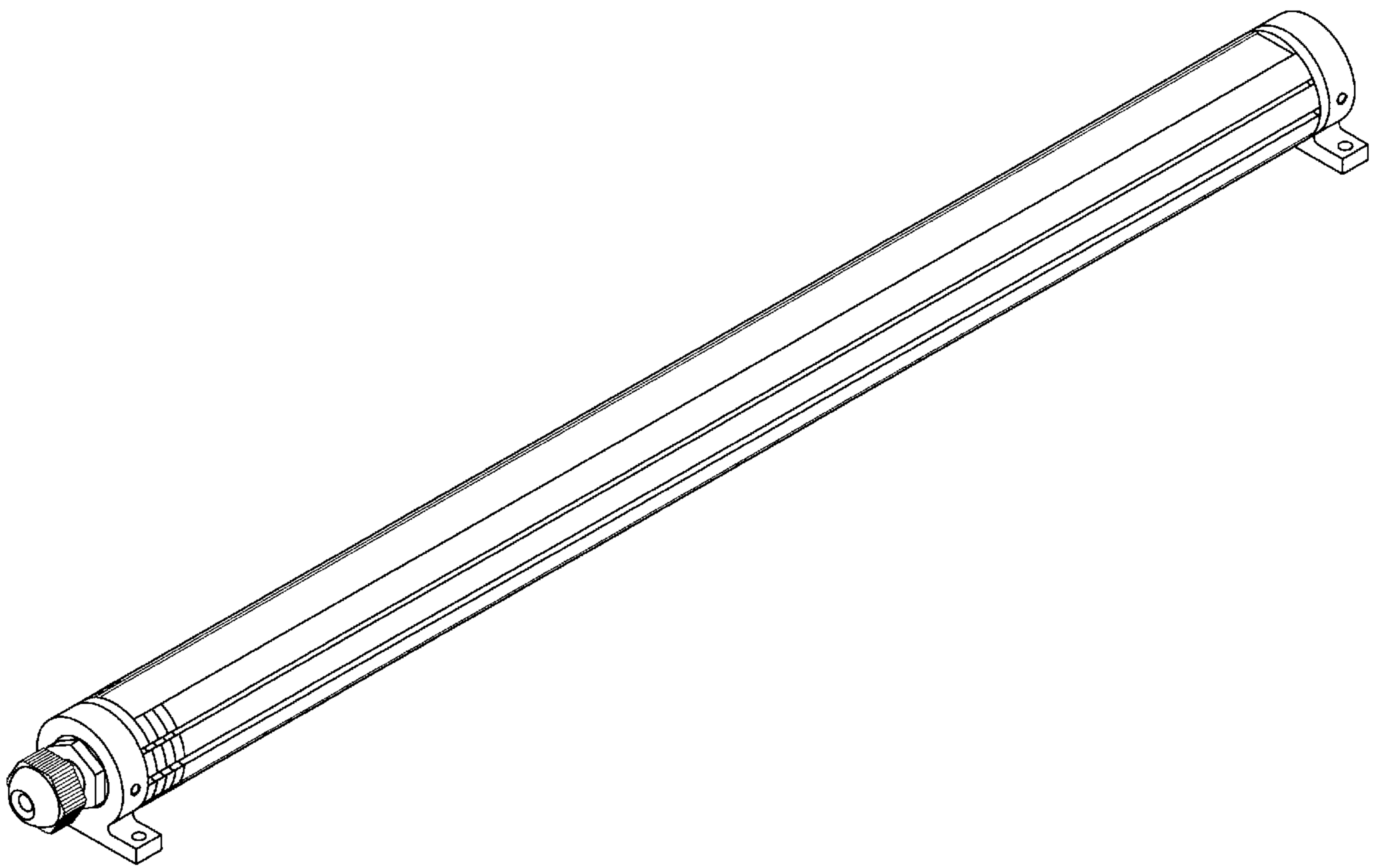


FIG 2

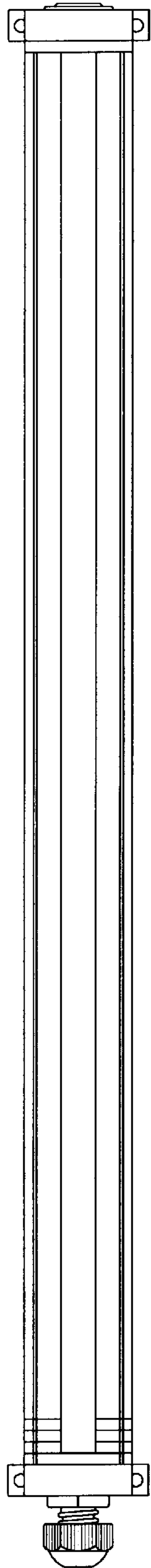


FIG 3

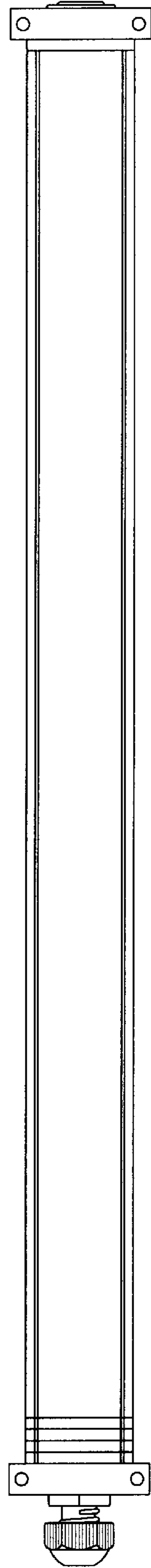


FIG 4

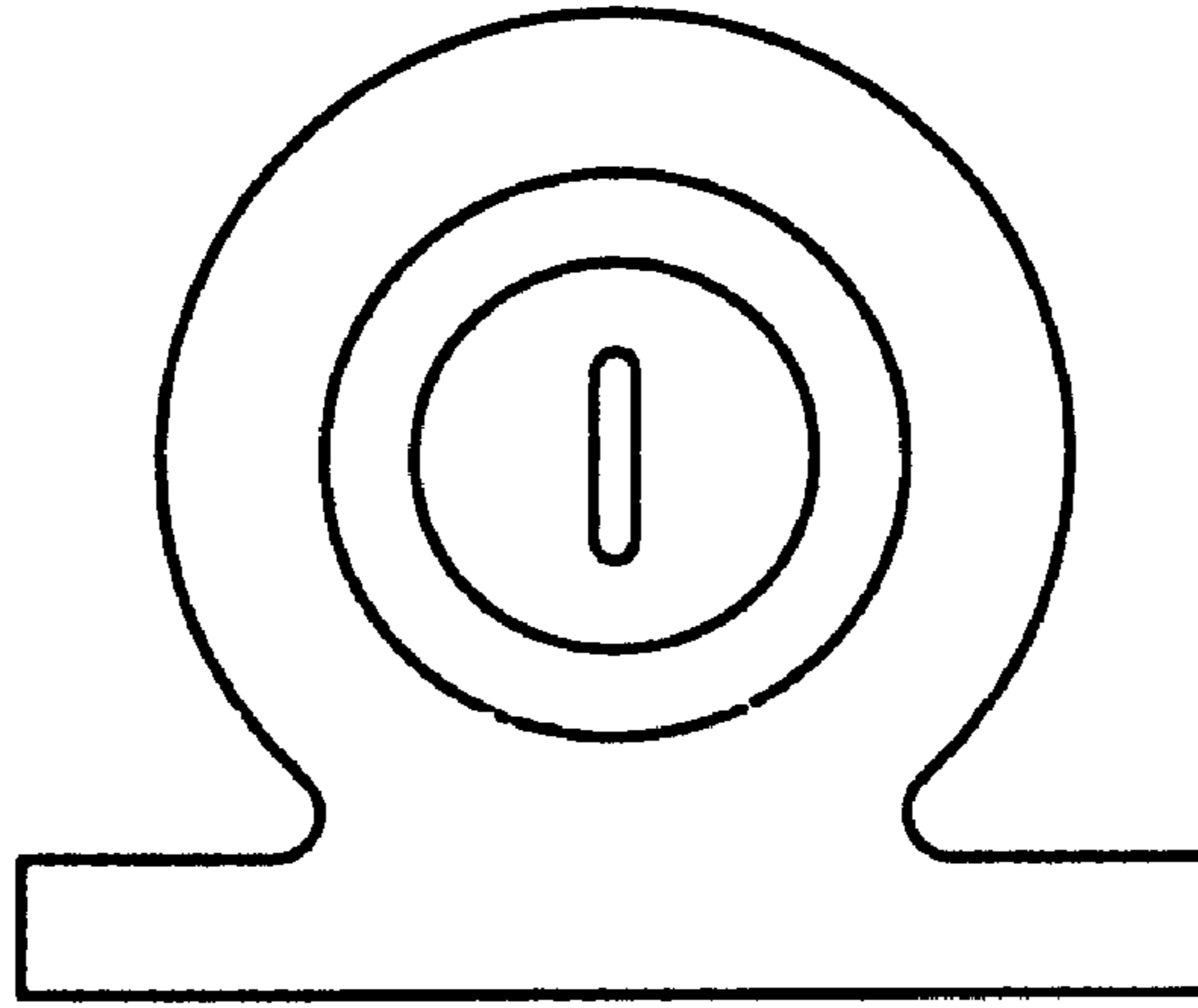


FIG 5

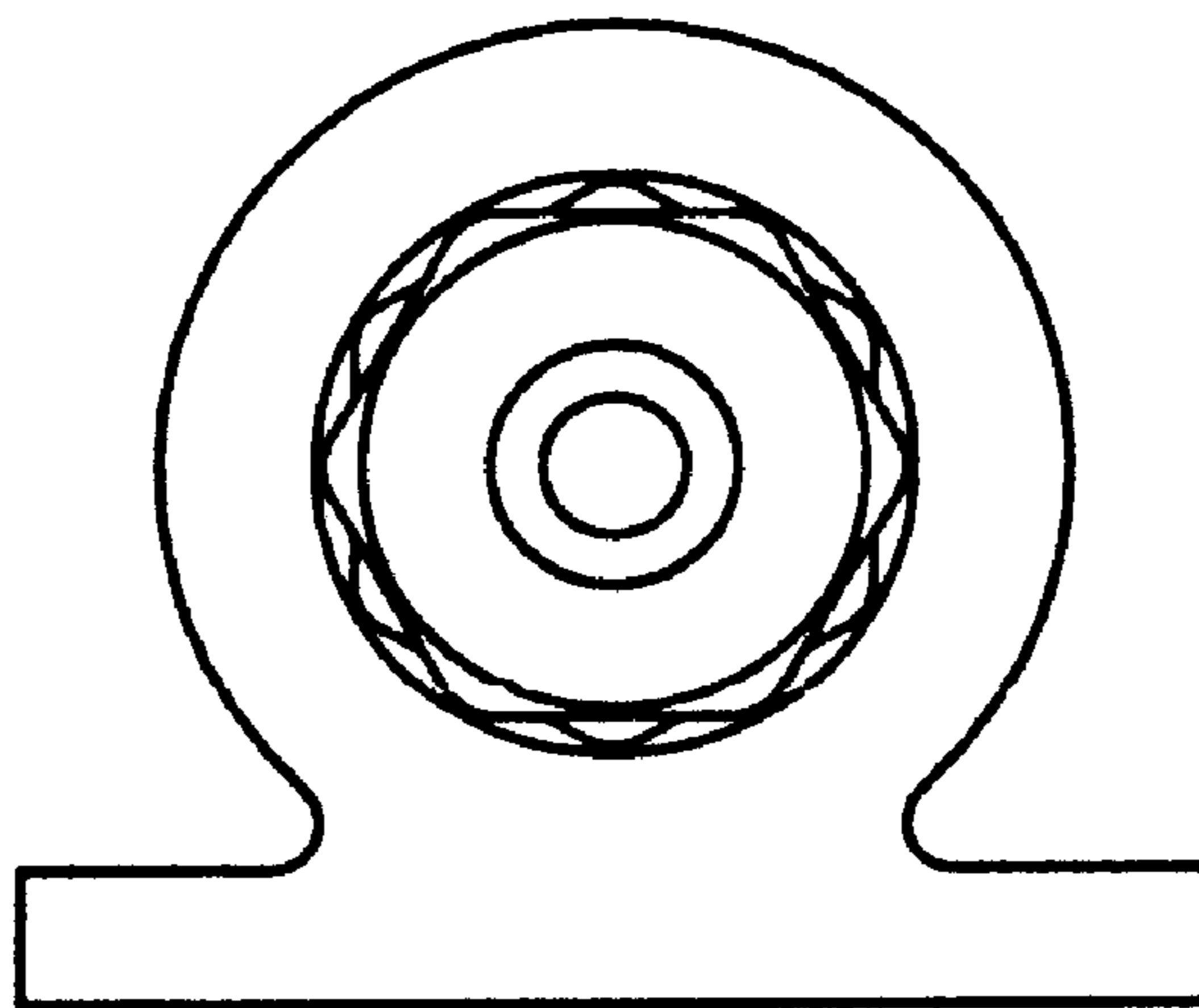


FIG 6

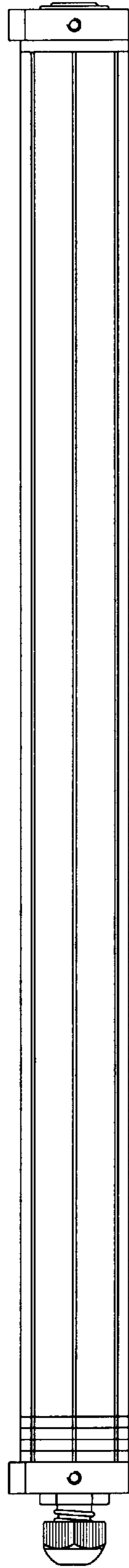


FIG 7

