



US00D413539S

United States Patent [19]

Ditterline et al.

[11] Patent Number: Des. 413,539

[45] Date of Patent: ** Sep. 7, 1999

[54] ANALYZER

[75] Inventors: **Andy Ditterline**, Arlington, Tex.; **Dave Staal**, Grayslake, Ill.; **George Maliekal**, Lake Zurich, Ill.; **Steve I. Hwang**; **Max Yoshimoto**, both of San Francisco, Calif.; **Rob Bernstine**, Chesapeake City, Md.

[73] Assignee: **Abbott Laboratories**, Abbott Park, Ill.

[**] Term: **14 Years**

[21] Appl. No.: **29/073,170**

[22] Filed: **Jul. 2, 1997**

[51] LOC (6) Cl. **10-04**

[52] U.S. Cl. **D10/81; D24/186**

[58] Field of Search D10/75, 81; D24/186, D24/234; 422/100, 102, 63-68; 436/43, 48

[56] References Cited

U.S. PATENT DOCUMENTS

- D. 189,738 2/1961 Piar D83/1
- D. 253,537 11/1979 Seager D15/115
- D. 281,310 11/1985 Hatori et al. D10/81
- D. 304,307 10/1989 Nagai et al. D10/81

- D. 314,049 1/1991 Katayama D24/1.1
- D. 364,576 11/1995 Glaser D10/81
- D. 377,455 1/1997 Burchard et al. D10/81
- 3,497,320 2/1970 Blackburn et al. 23/230
- 4,541,539 9/1985 Matthews 220/20
- 4,574,040 3/1986 Delony et al. 204/299
- 4,597,381 7/1986 Oumi et al. 128/6
- 5,223,222 6/1993 Ricchio et al. 422/63
- 5,240,108 8/1993 Tonna 206/366
- 5,573,727 11/1996 Keefe 422/63

Primary Examiner—Antoine Duval Davis
Attorney, Agent, or Firm—Mark C. Bach

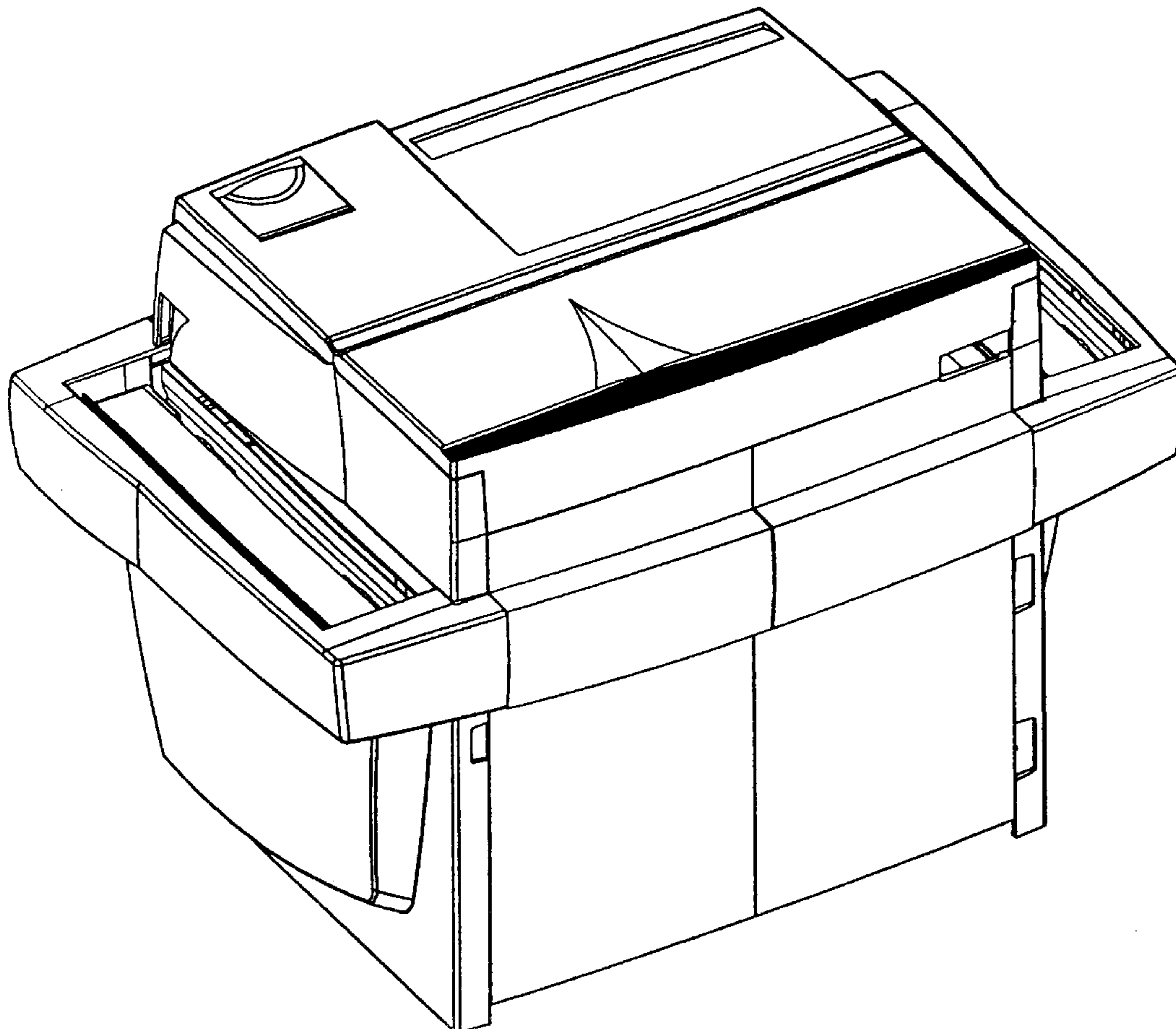
[57] CLAIM

The ornamental design for an analyzer, as shown and described.

DESCRIPTION

FIG. 1 is a perspective view of an analyzer; FIG. 2 is another perspective view of the analyzer; FIG. 3 is a frontal view of an analyzer; FIG. 4 is a top view of an analyzer; FIG. 5 is a side view of an analyzer; FIG. 6 is another side view of an analyzer; FIG. 7 is a back view of an analyzer; and, FIG. 8 is a bottomn view of an analyzer.

1 Claim, 8 Drawing Sheets



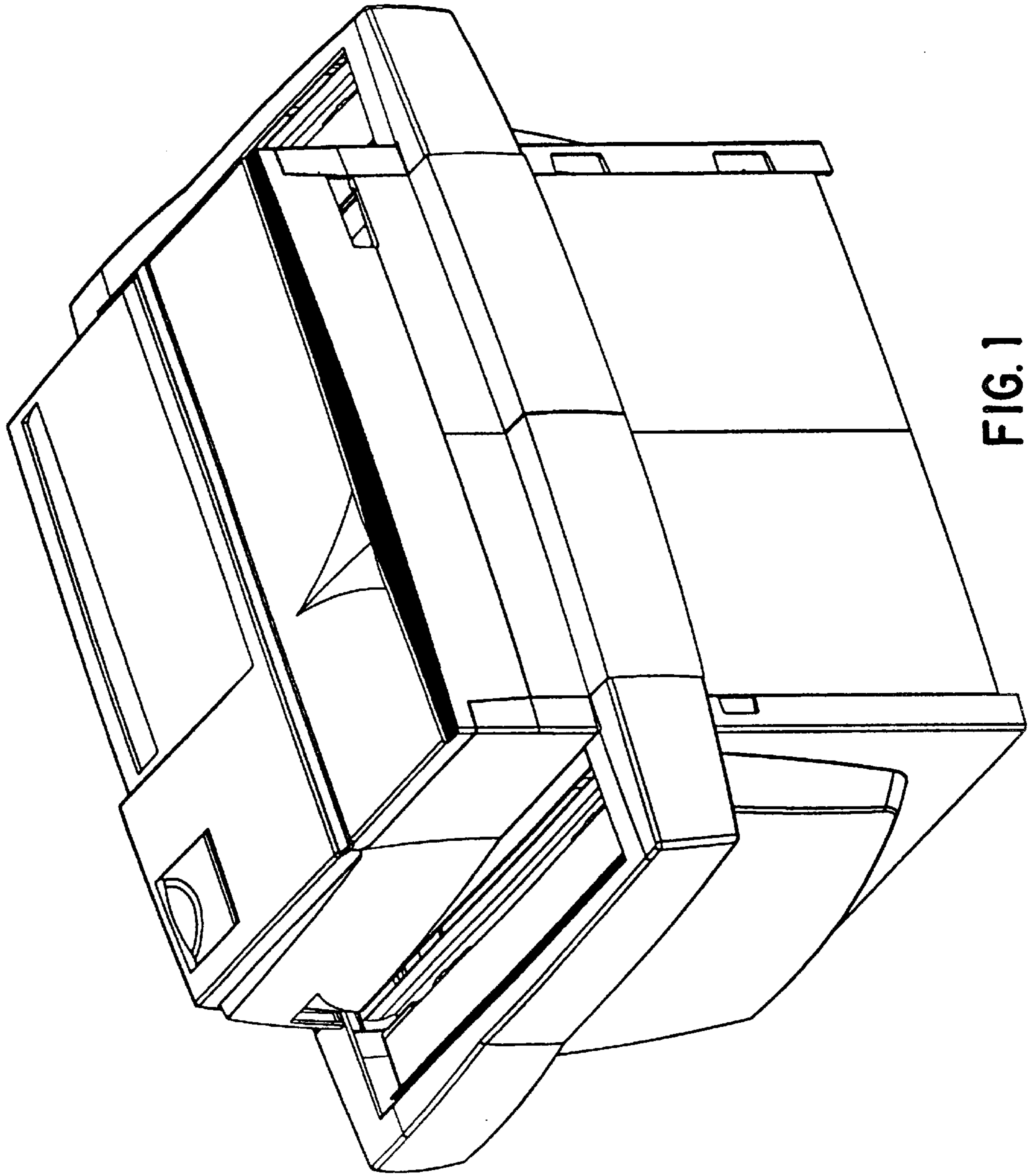


FIG. 1

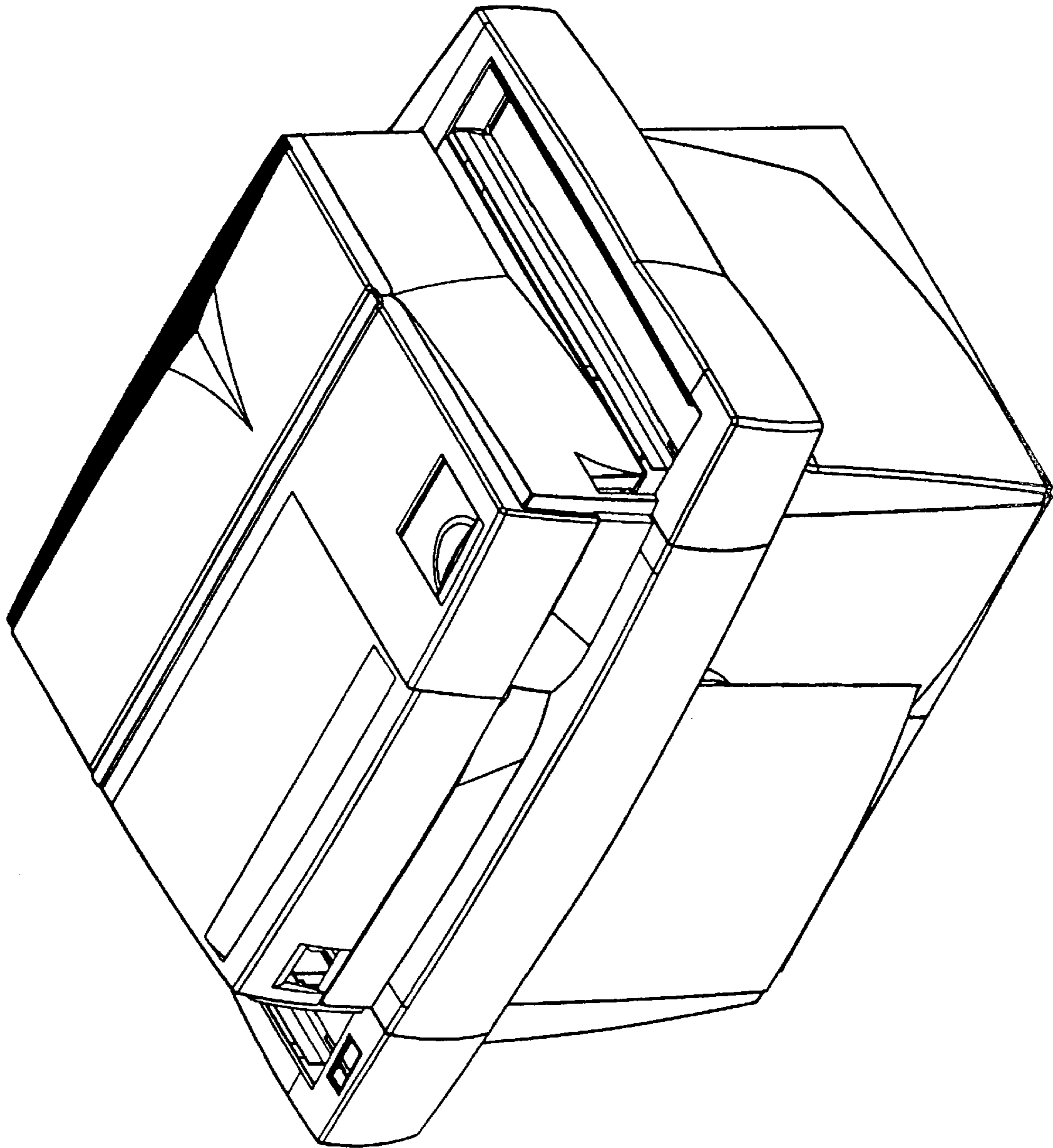


FIG. 2

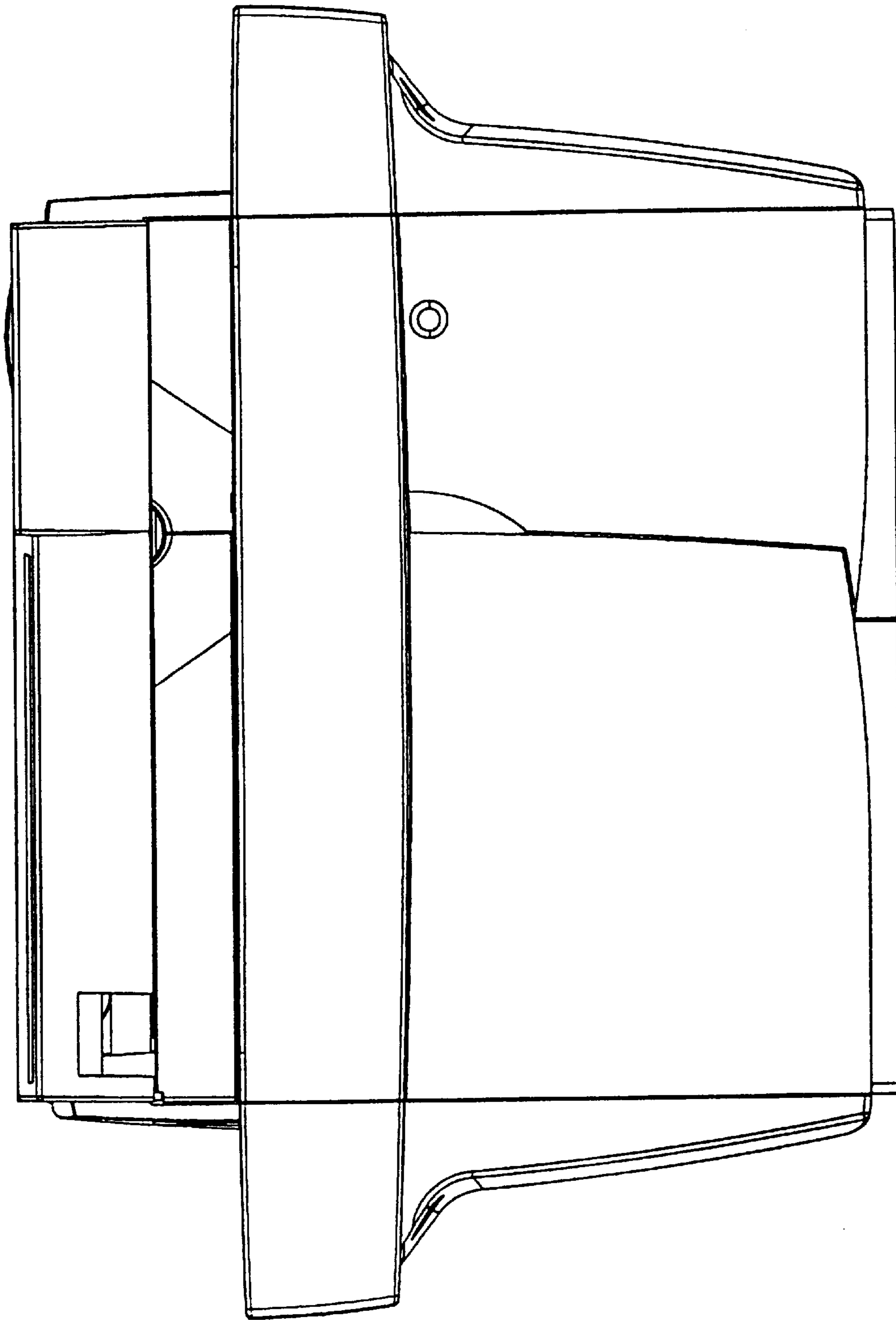


FIG. 3

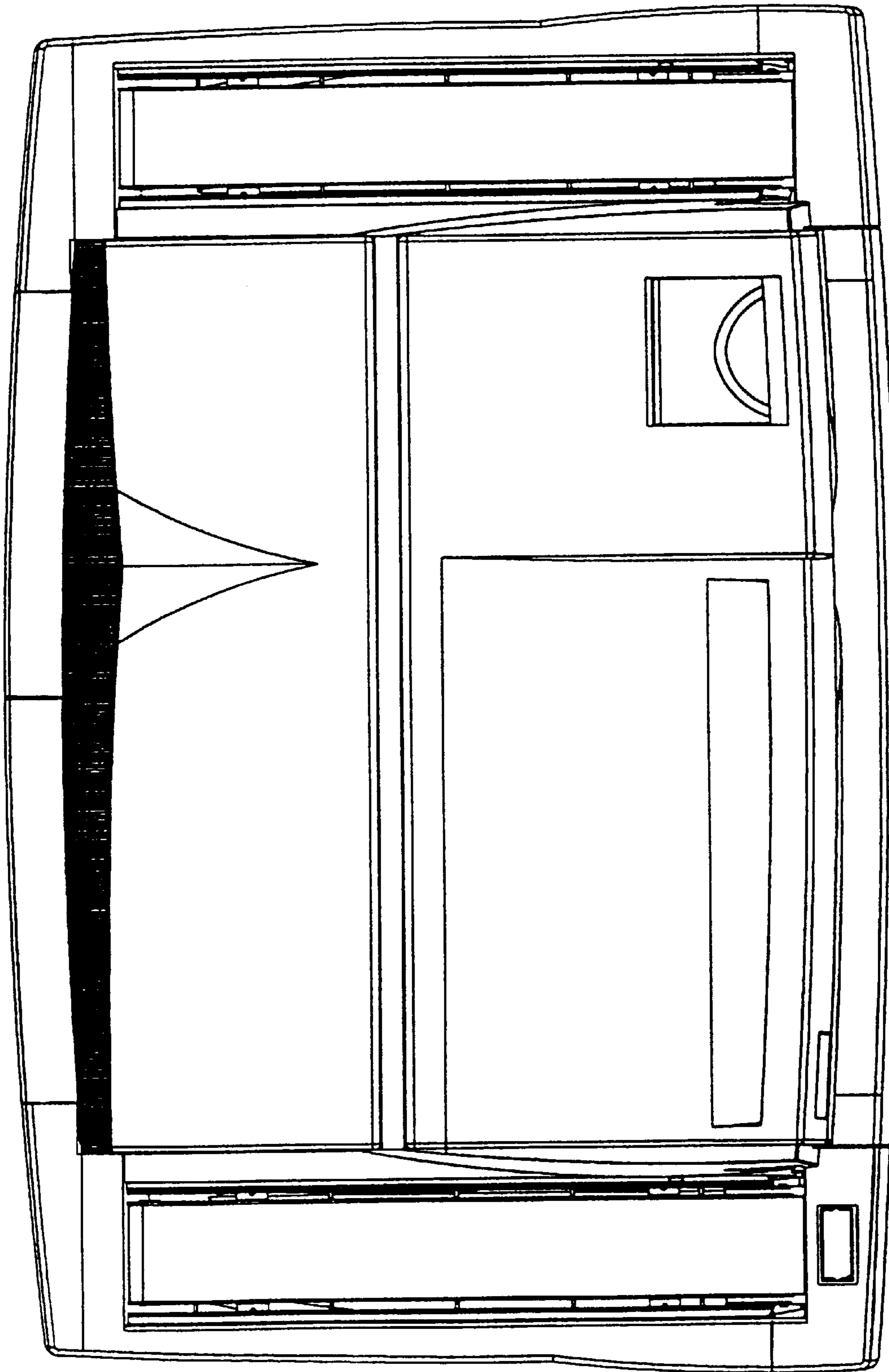


FIG. 4

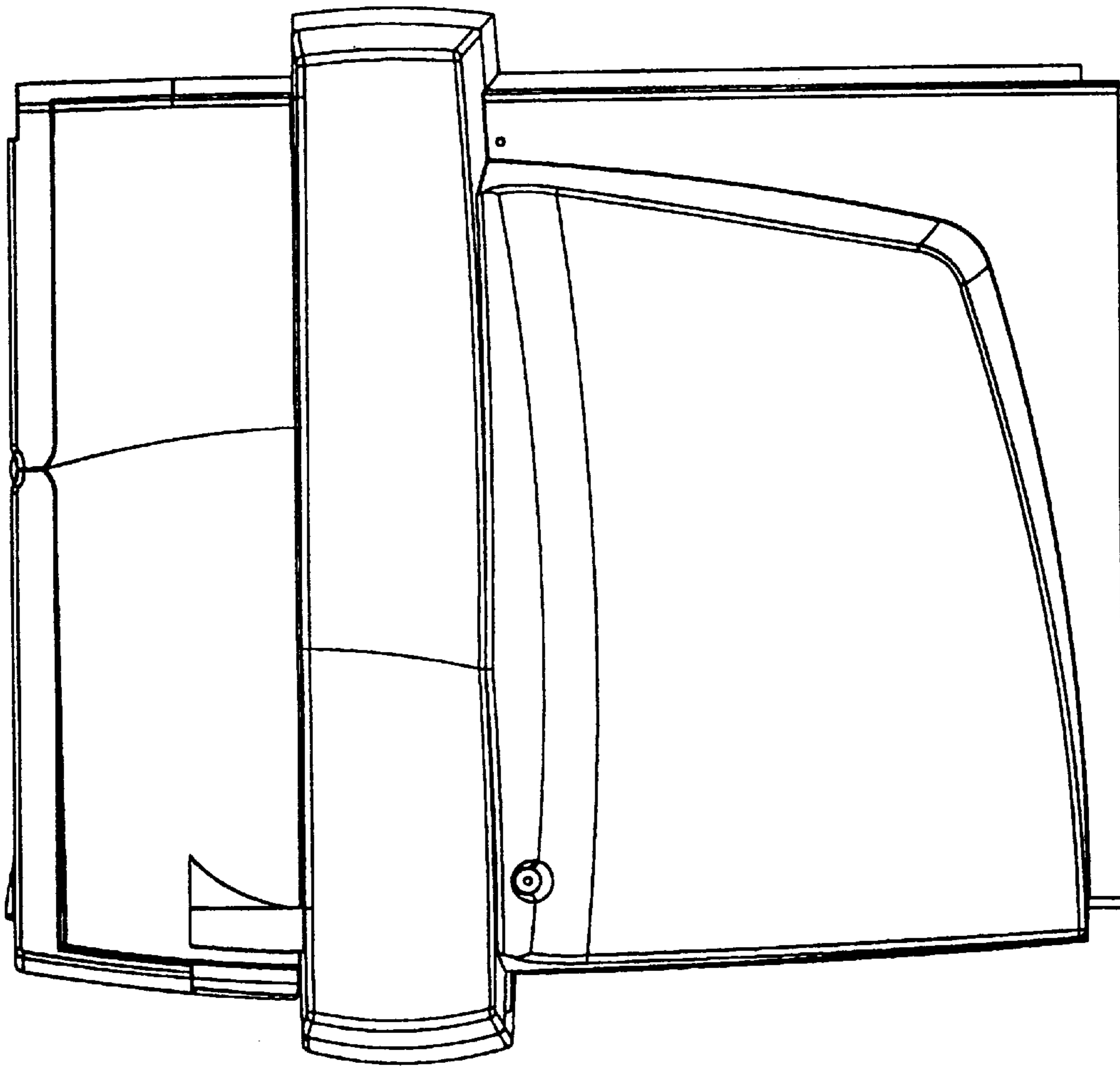


FIG. 5

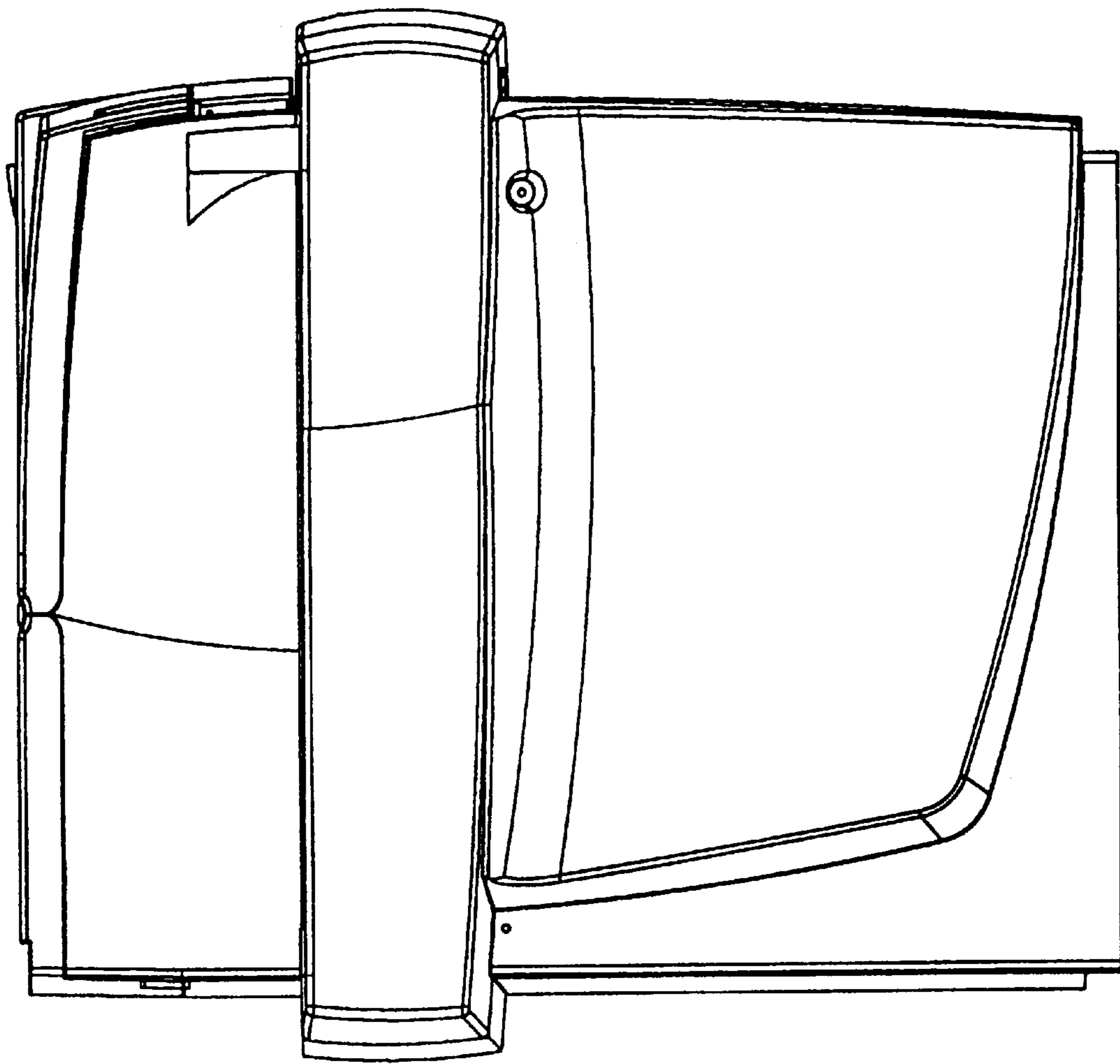


FIG. 6

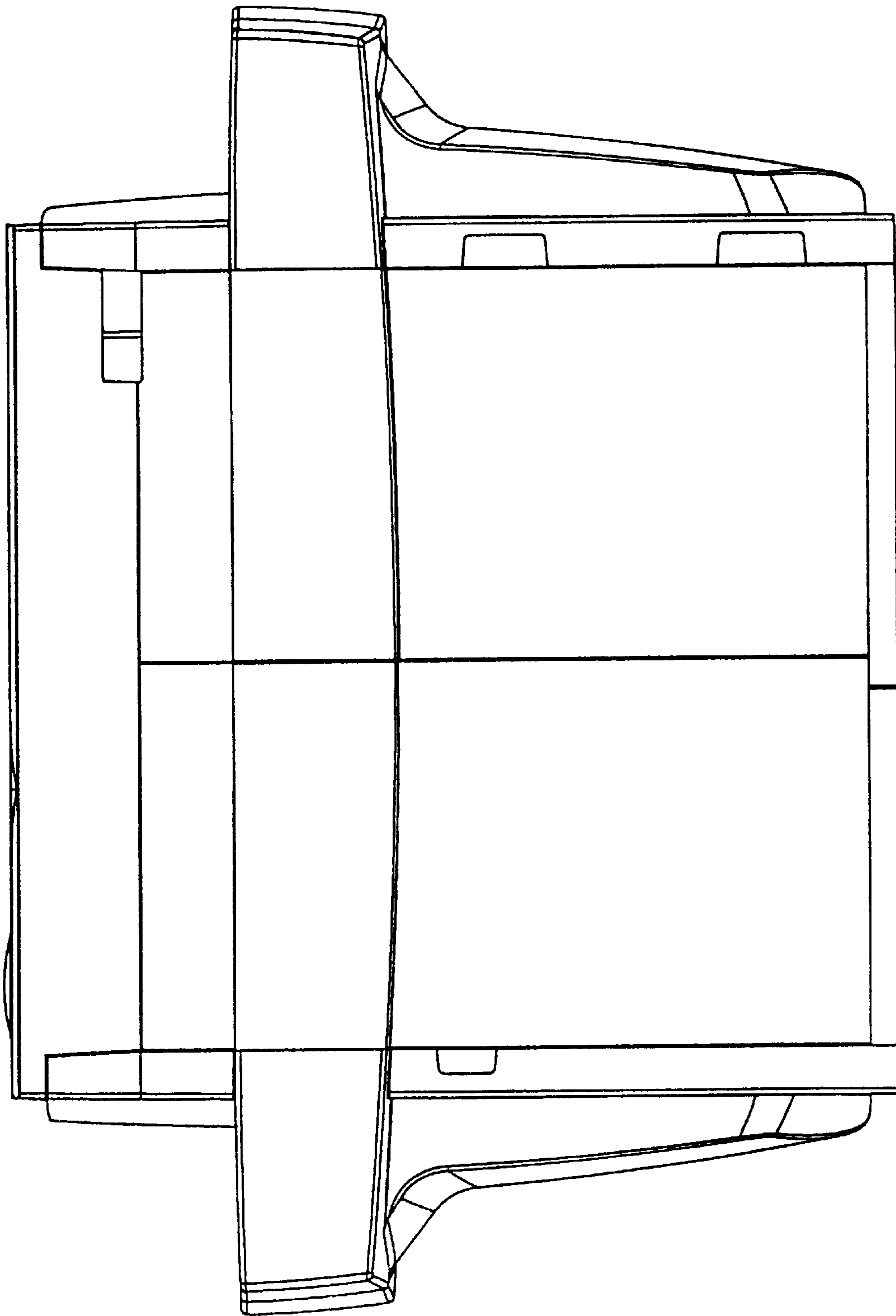


FIG. 7

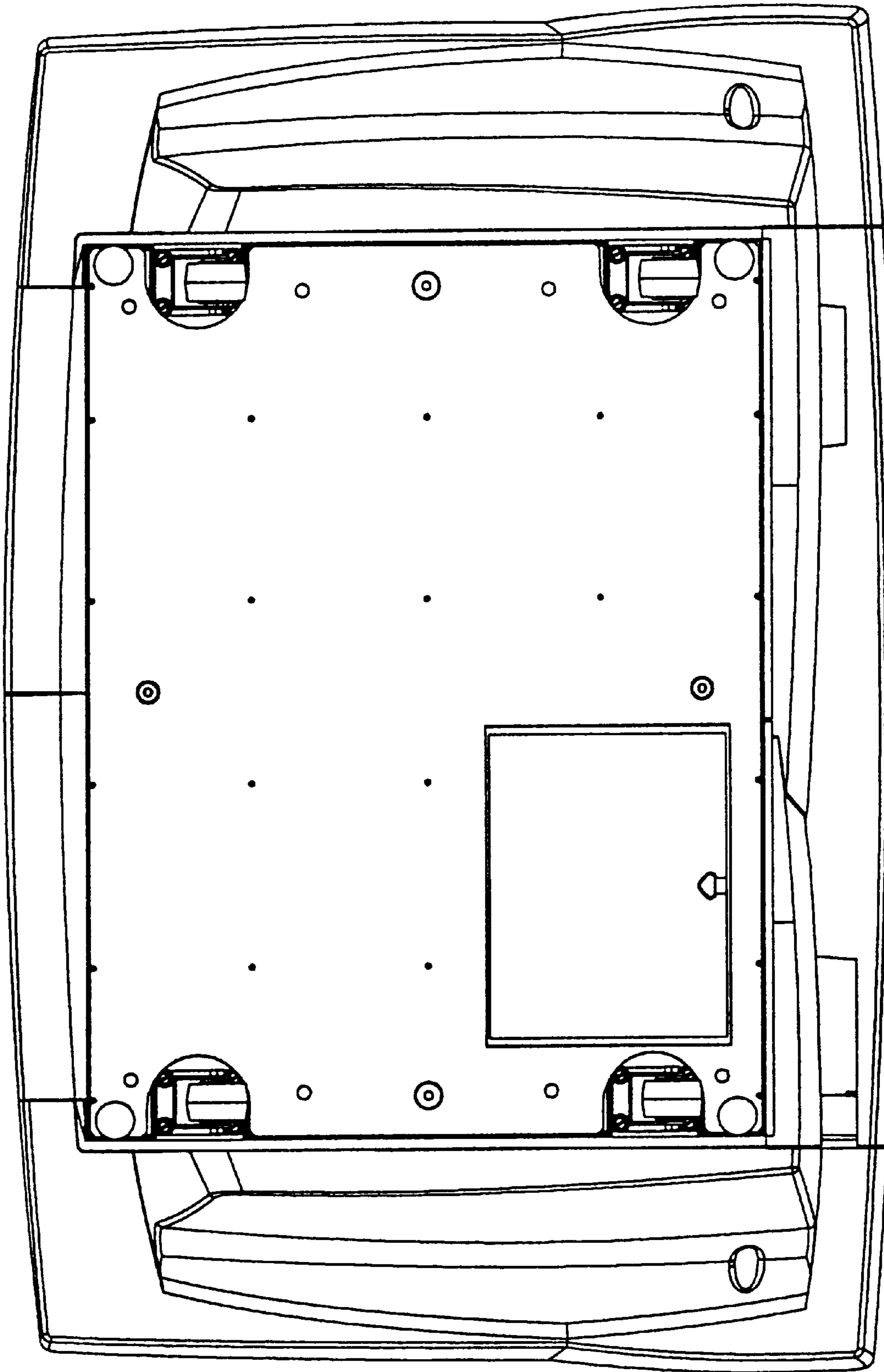


FIG. 8