



US00D413535S

**United States Patent** [19]  
**Li**

[11] **Patent Number: Des. 413,535**

[45] **Date of Patent: \*\* Sep. 7, 1999**

[54] **TAPE MEASURE**

[76] Inventor: **Shih-Lin Li**, No. 22, Lane 81, Sec. 2,  
Tunha S. Rd., Taipei, Taiwan

[\*\*] Term: **14 Years**

[21] Appl. No.: **29/094,836**

[22] Filed: **Oct. 13, 1998**

[51] **LOC (6) Cl. .... 10-04**

[52] **U.S. Cl. .... D10/72**

[58] **Field of Search ..... D10/72; 33/755-771**

[56] **References Cited**

**U.S. PATENT DOCUMENTS**

5,416,978 5/1995 Kaufman ..... 33/770  
5,746,004 5/1998 Wertheim ..... 33/768

*Primary Examiner*—Antoine Duval Davis  
*Attorney, Agent, or Firm*—David and Raymond; Raymond  
Y. Chan

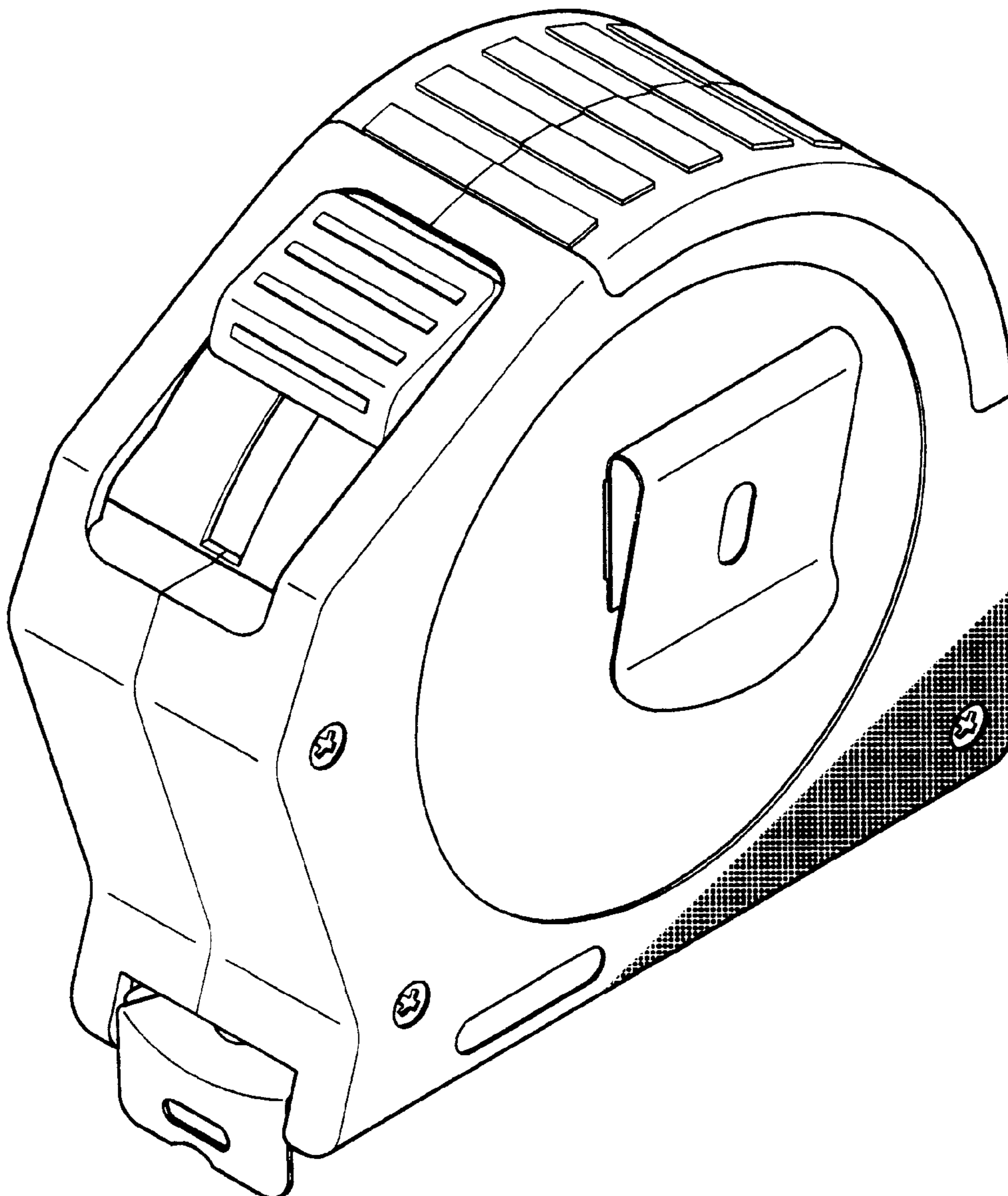
[57] **CLAIM**

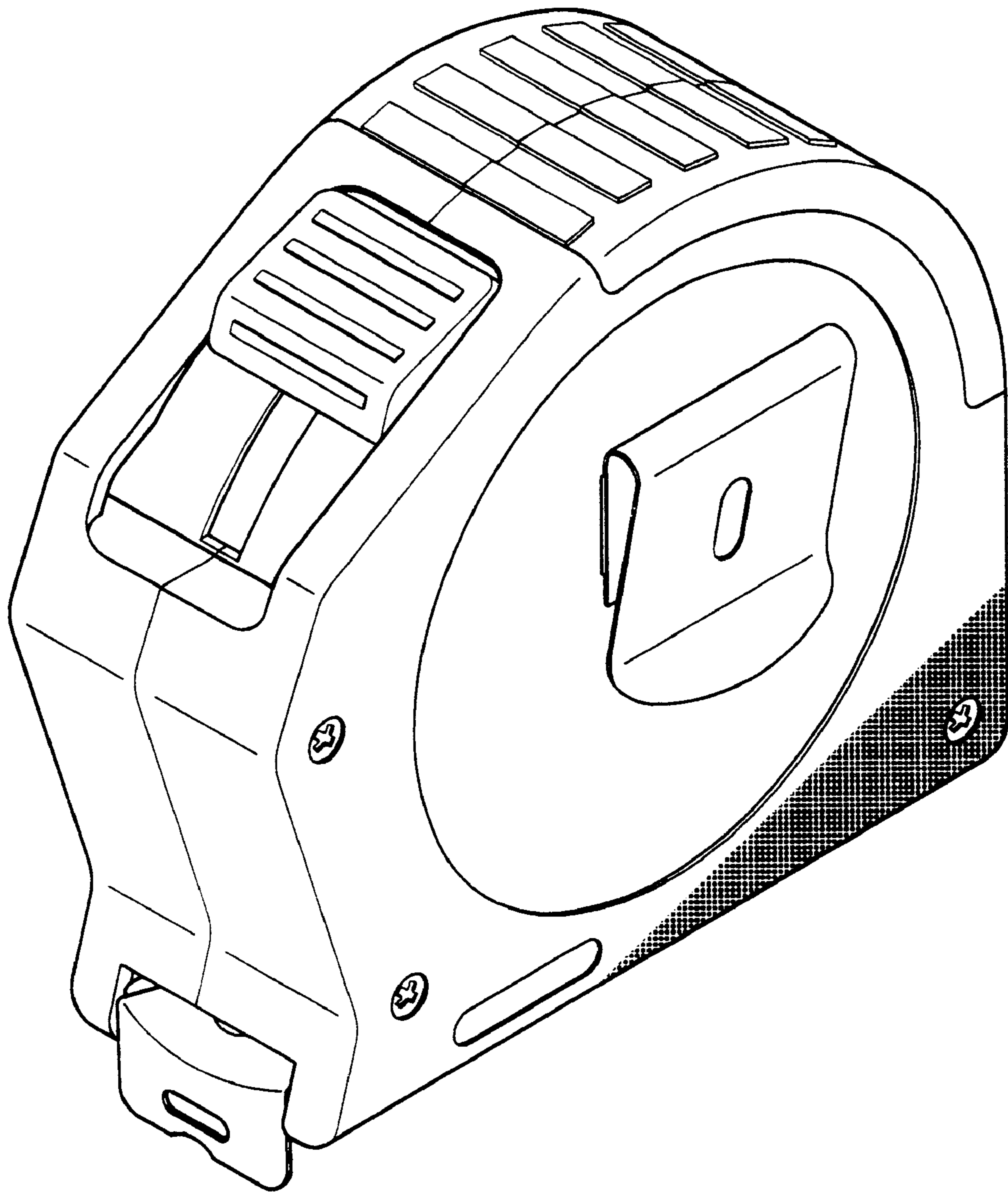
The ornamental design for a tape measure, as shown.

**DESCRIPTION**

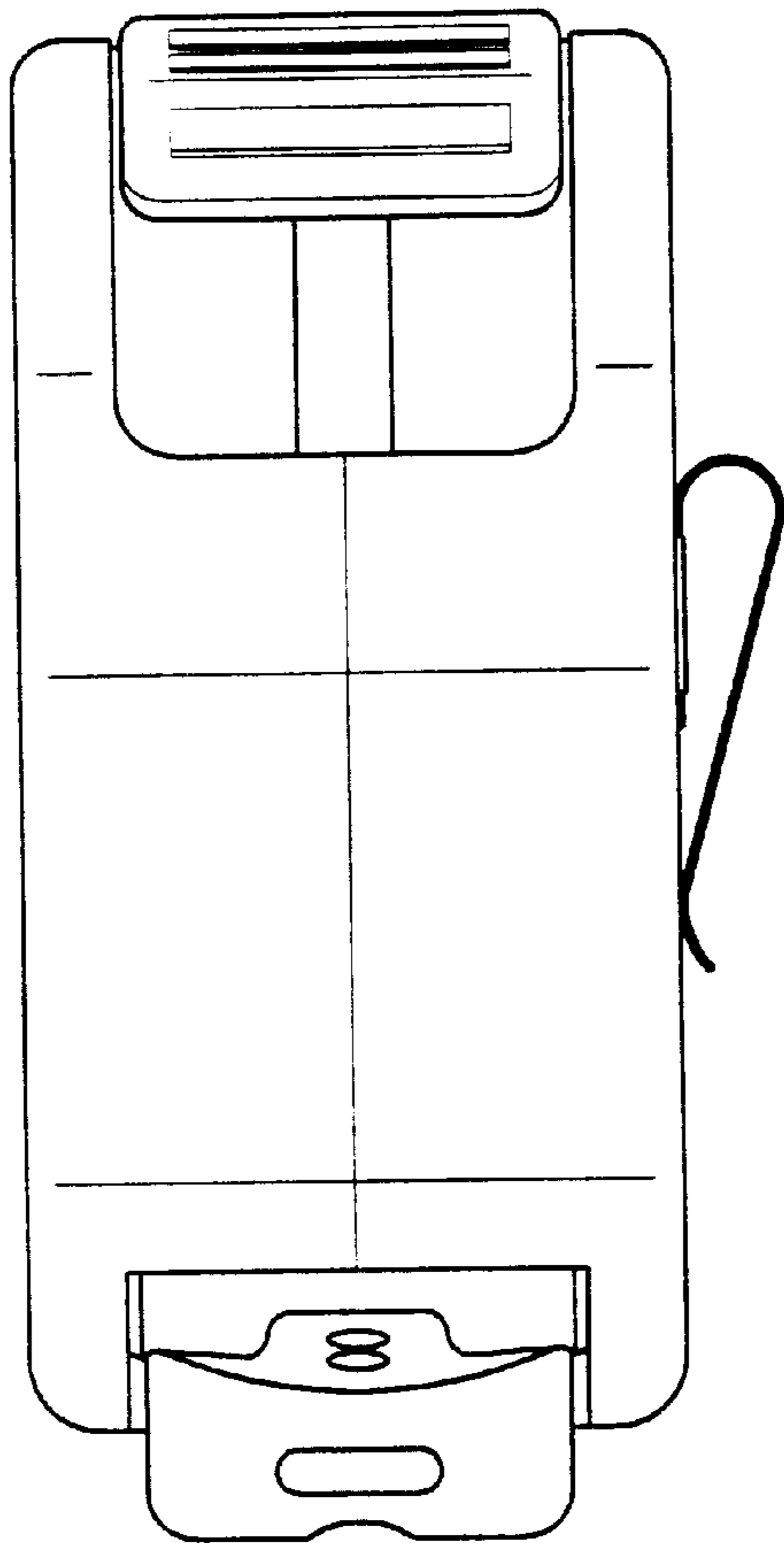
FIG. 1 is a perspective view of a tape measure showing my  
new design;  
FIG. 2 is a front perspective view thereof;  
FIG. 3 is a rear perspective view thereof;  
FIG. 4 is a left side elevation view thereof;  
FIG. 5 is a right side elevation view thereof;  
FIG. 6 is a top plan view thereof; and,  
FIG. 7 is a bottom plan view thereof.

**1 Claim, 4 Drawing Sheets**

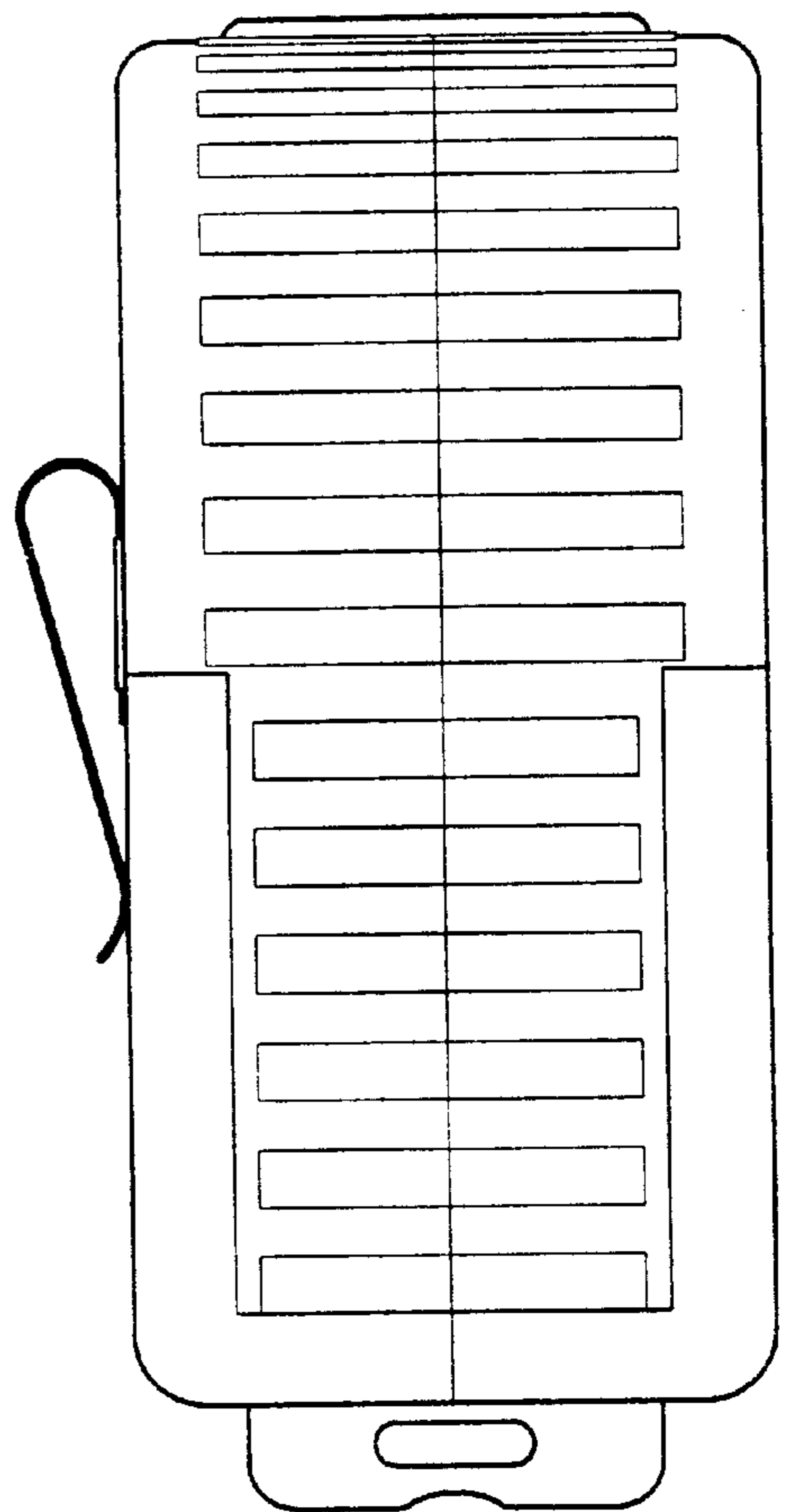




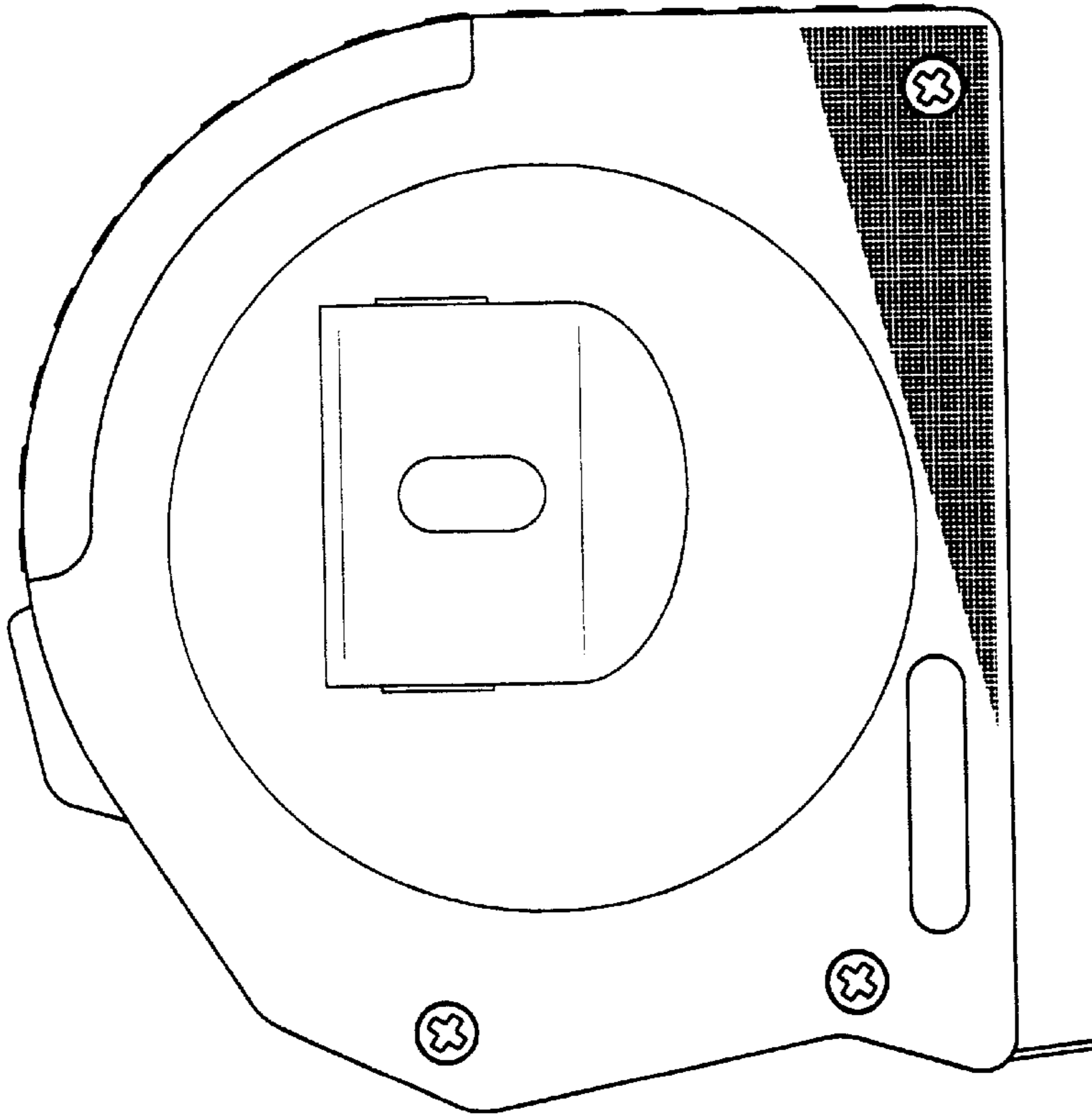
*FIG. 1*



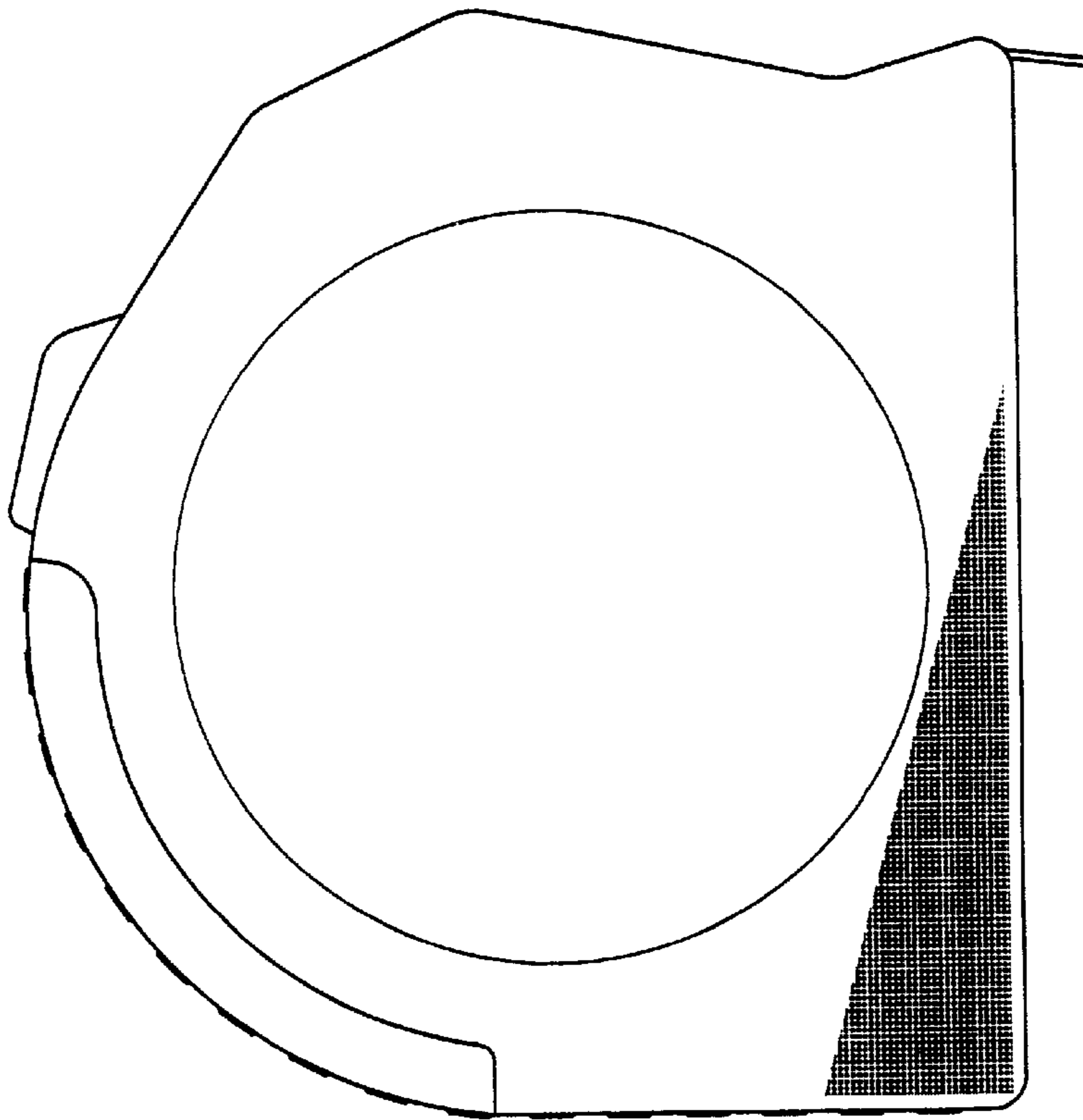
*FIG. 2*



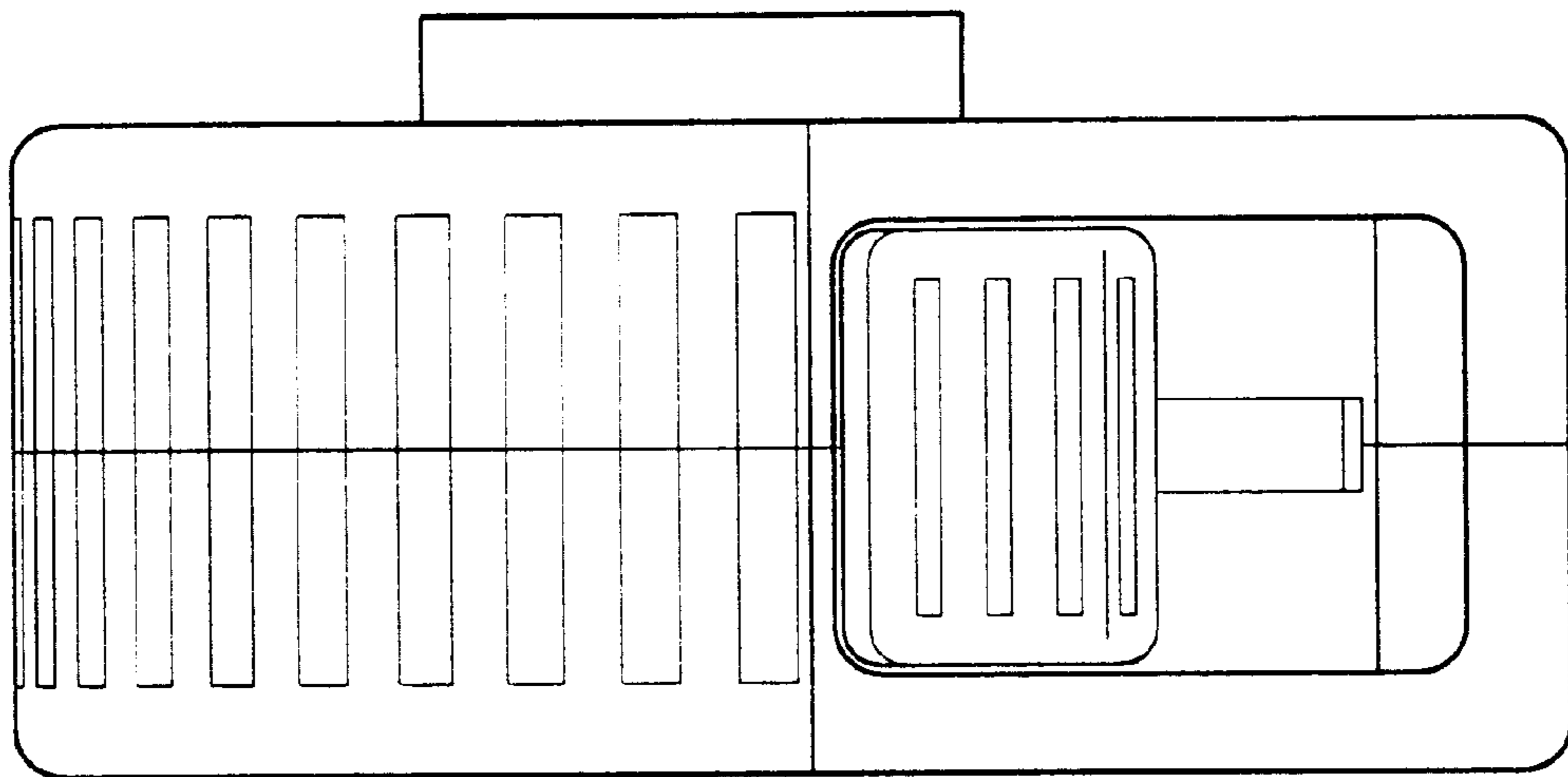
*FIG. 3*



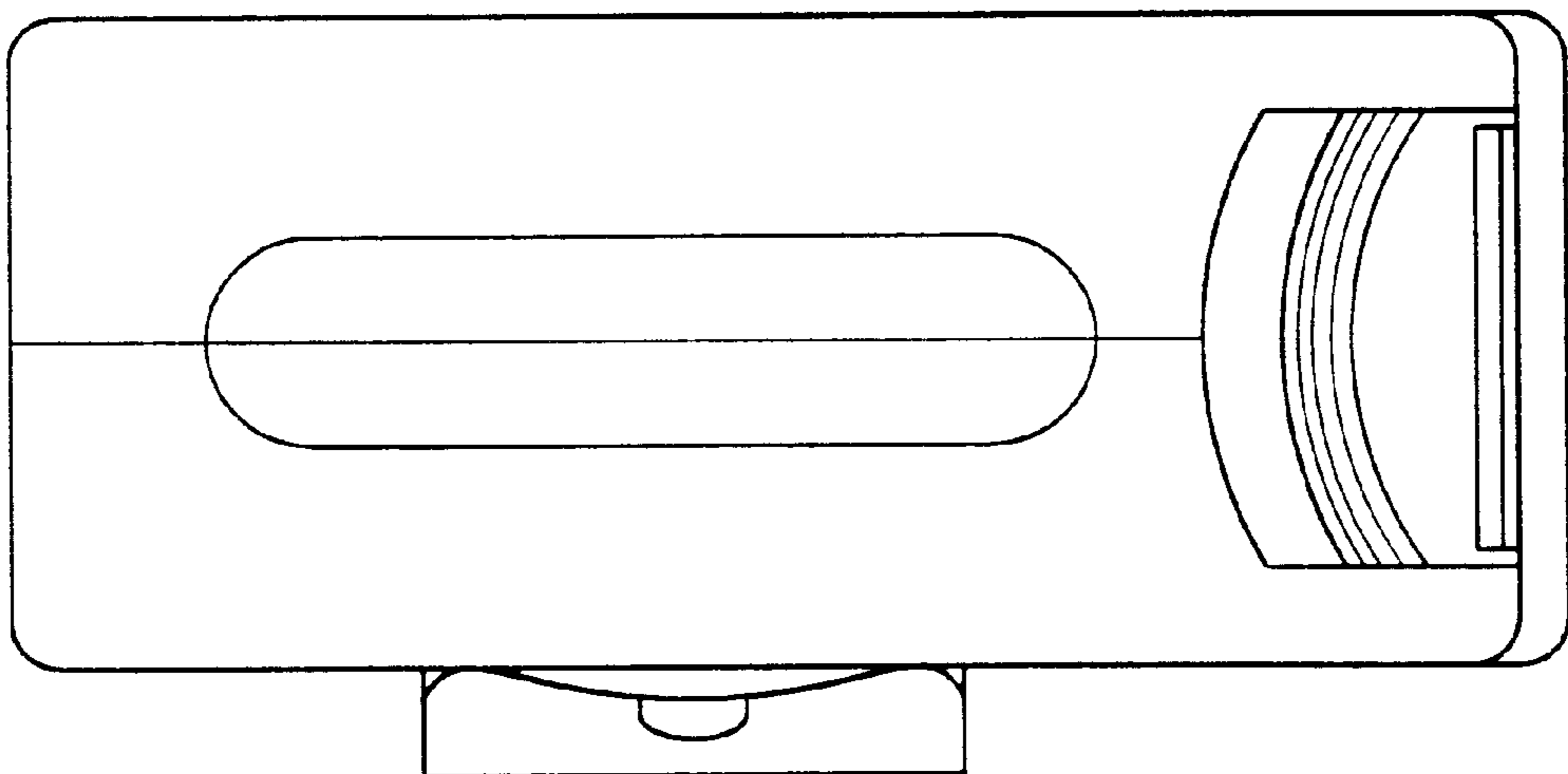
*FIG. 5*



*FIG. 4*



*FIG. 6*



*FIG. 7*