



US00D413531S

**United States Patent** [19]  
**Philippe**

[11] **Patent Number: Des. 413,531**

[45] **Date of Patent: \*\* Sep. 7, 1999**

[54] **CRYSTAL COVER BANGLE**

D. 362,194 9/1995 Dumas ..... D10/32  
2,473,226 6/1949 Sheldon ..... D11/3

[75] Inventor: **Ching Philippe**, Kwai Chung, The Hong Kong Special Administrative Region of the People's Republic of China

*Primary Examiner*—Ralf Seifert  
*Attorney, Agent, or Firm*—Ezra Sutton

[73] Assignee: **Viva Time Corp.**, New York, N.Y.

[57] **CLAIM**

[\*\*] Term: **14 Years**

The ornamental design for a crystal cover bangle, as shown and described.

[21] Appl. No.: **29/082,299**

**DESCRIPTION**

[22] Filed: **Jan. 2, 1998**

FIG. 1 is a front perspective view of a crystal cover bangle showing my new design;  
FIG. 2 is a right side elevational view thereof;  
FIG. 3 is a left side elevational view thereof;  
FIG. 4 is a front end elevational view thereof;  
FIG. 5 is a rear end elevational view thereof;  
FIG. 6 is a top plan thereof;  
FIG. 7 is a bottom plan view thereof; and,  
FIG. 8 is a perspective view with the crystal cover in the open position.

[51] **LOC (6) Cl.** ..... **10-02**

[52] **U.S. Cl.** ..... **D10/32; D11/3**

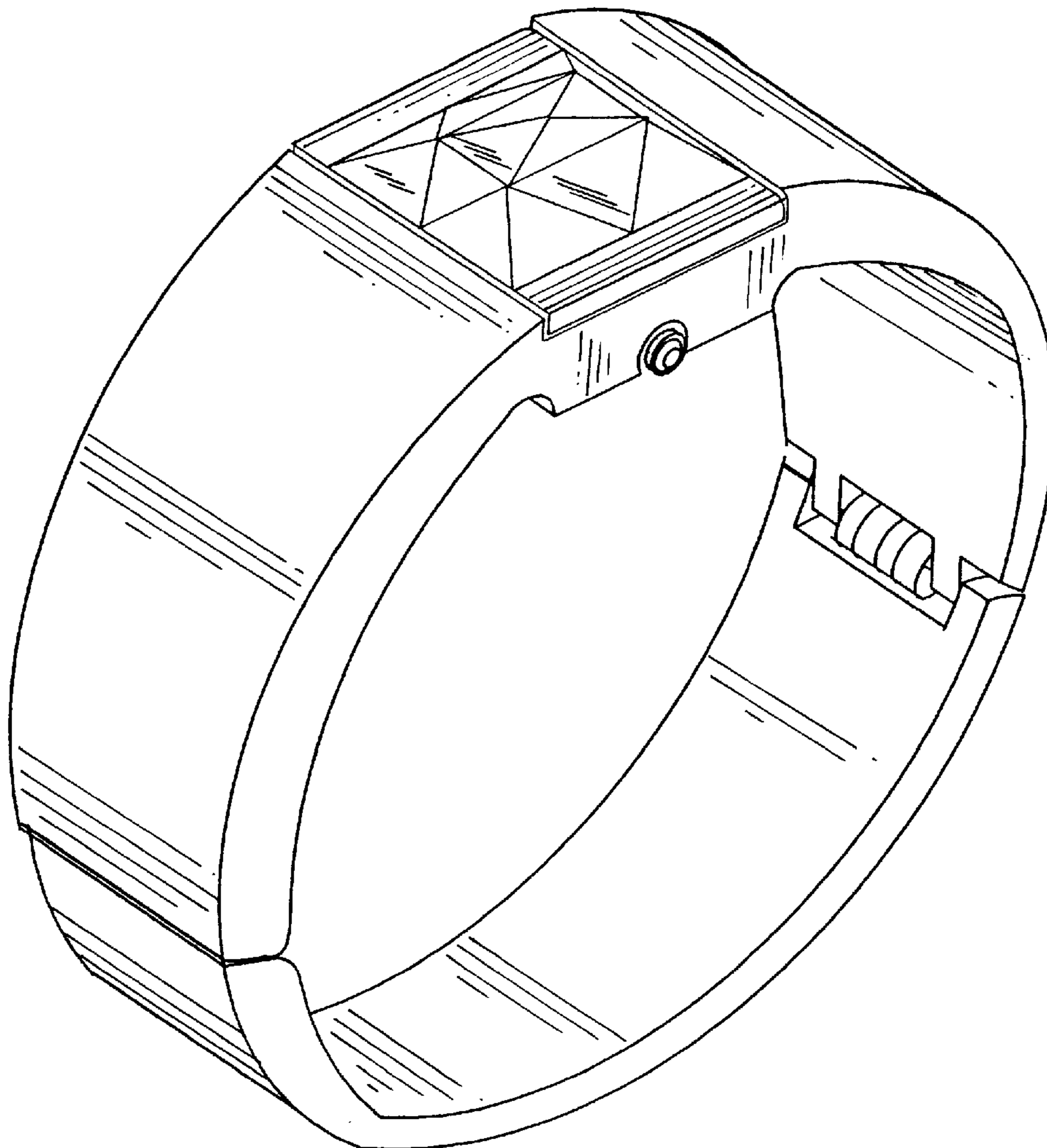
[58] **Field of Search** ..... D11/1-6, 19; D10/32, D10/39; 368/295, 280-282, 276-277

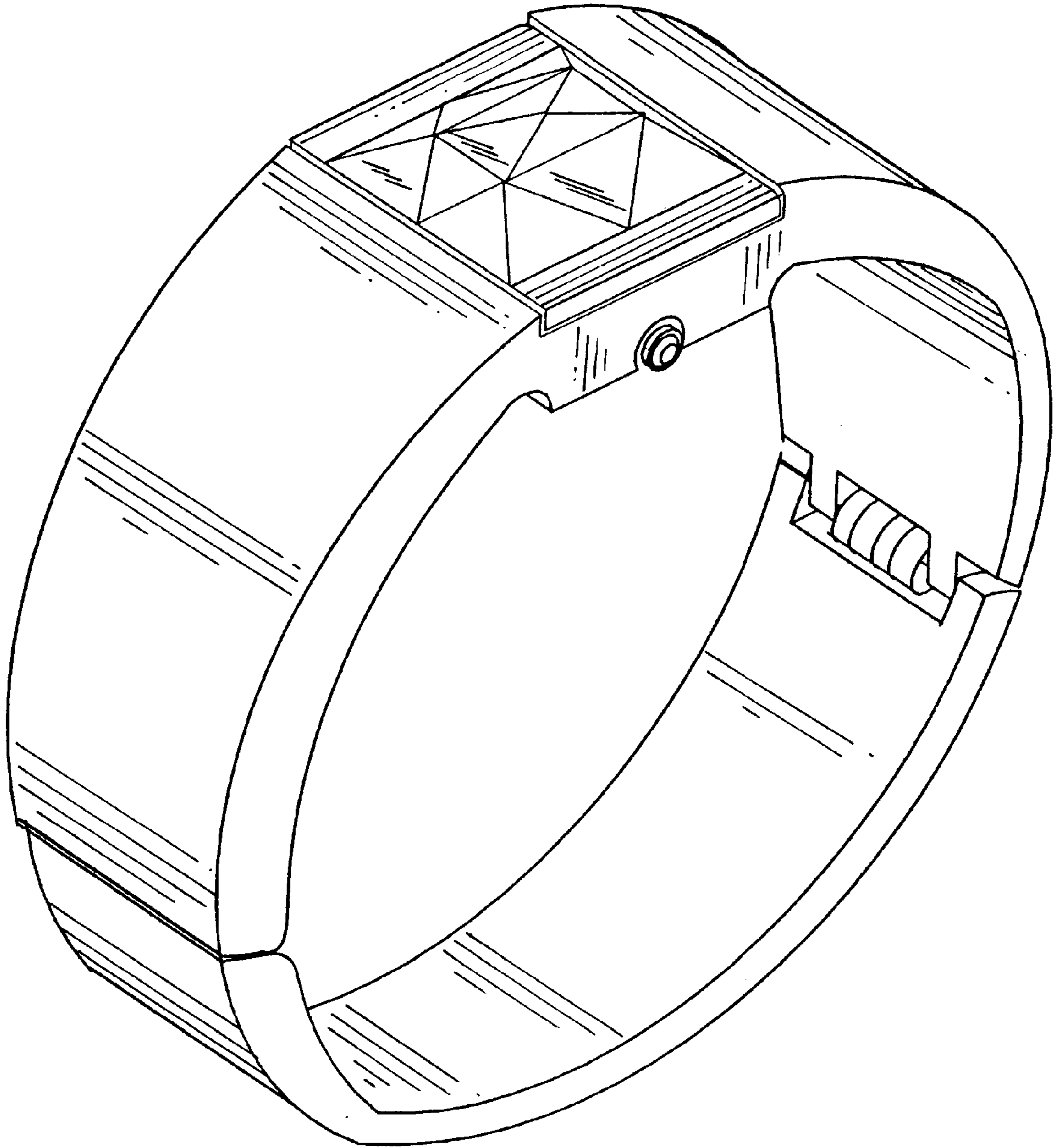
[56] **References Cited**

**U.S. PATENT DOCUMENTS**

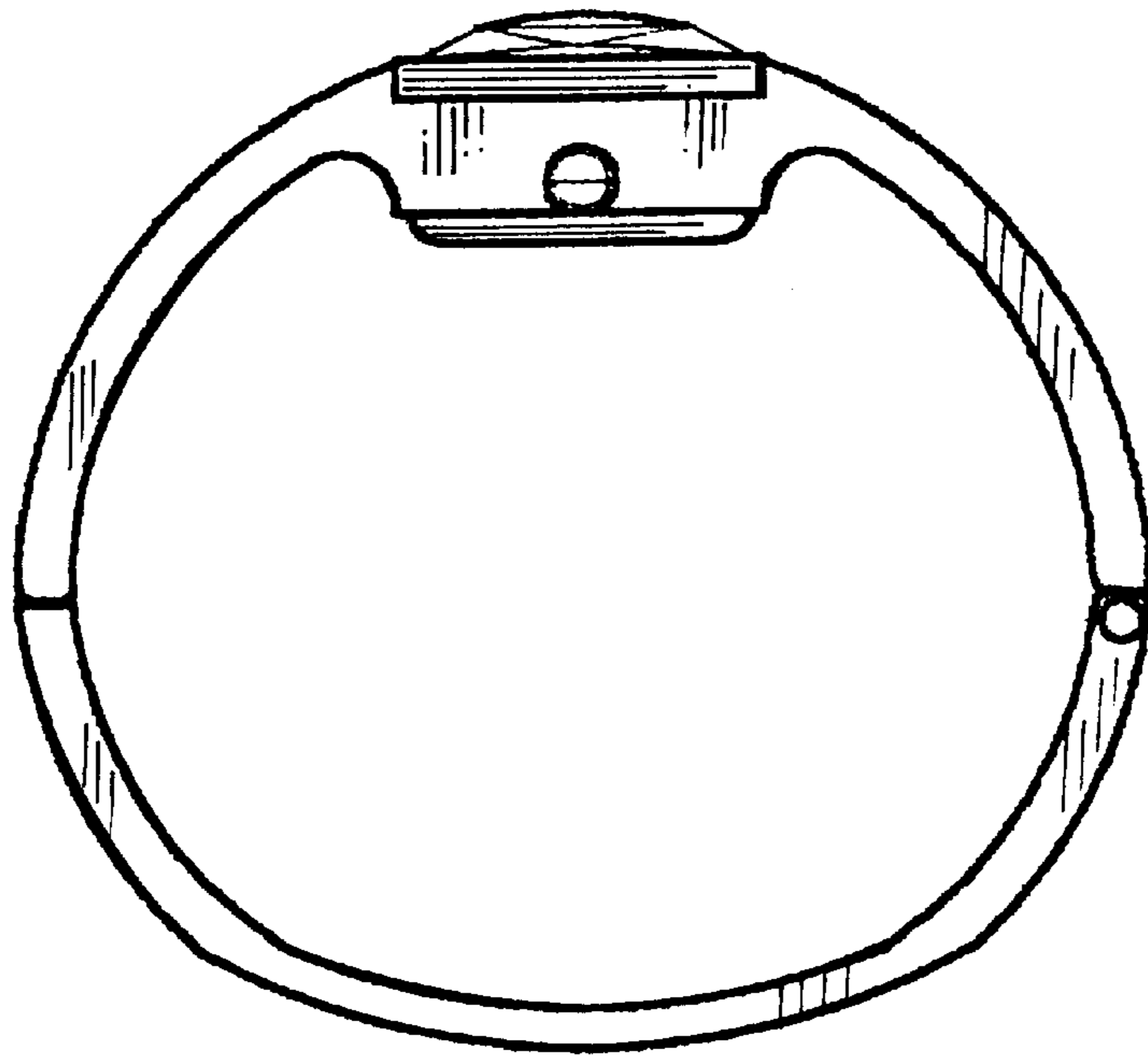
D. 268,169 3/1983 DeChristopher ..... D10/32  
D. 303,503 9/1989 Kai ..... D10/32

**1 Claim, 4 Drawing Sheets**

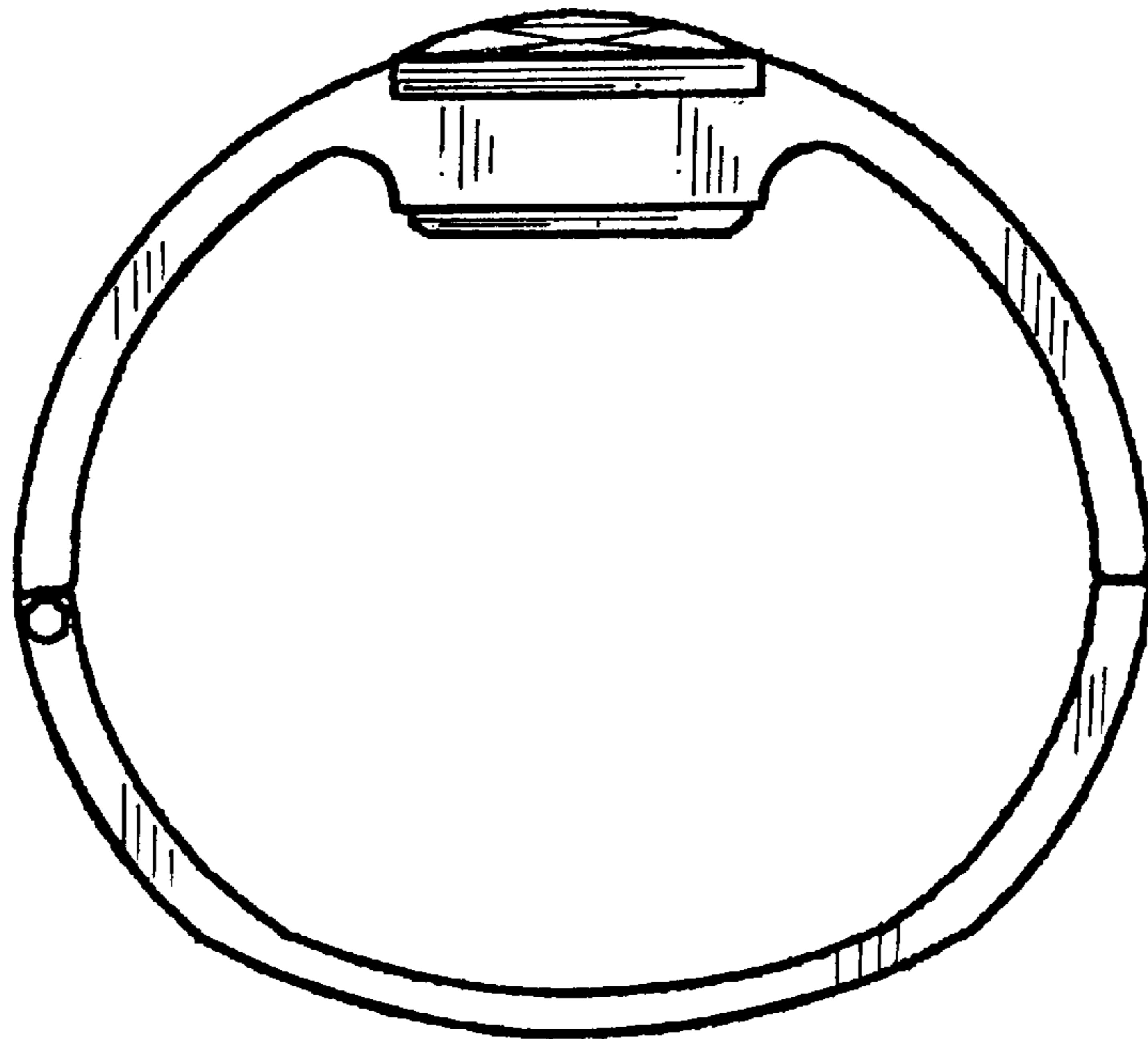




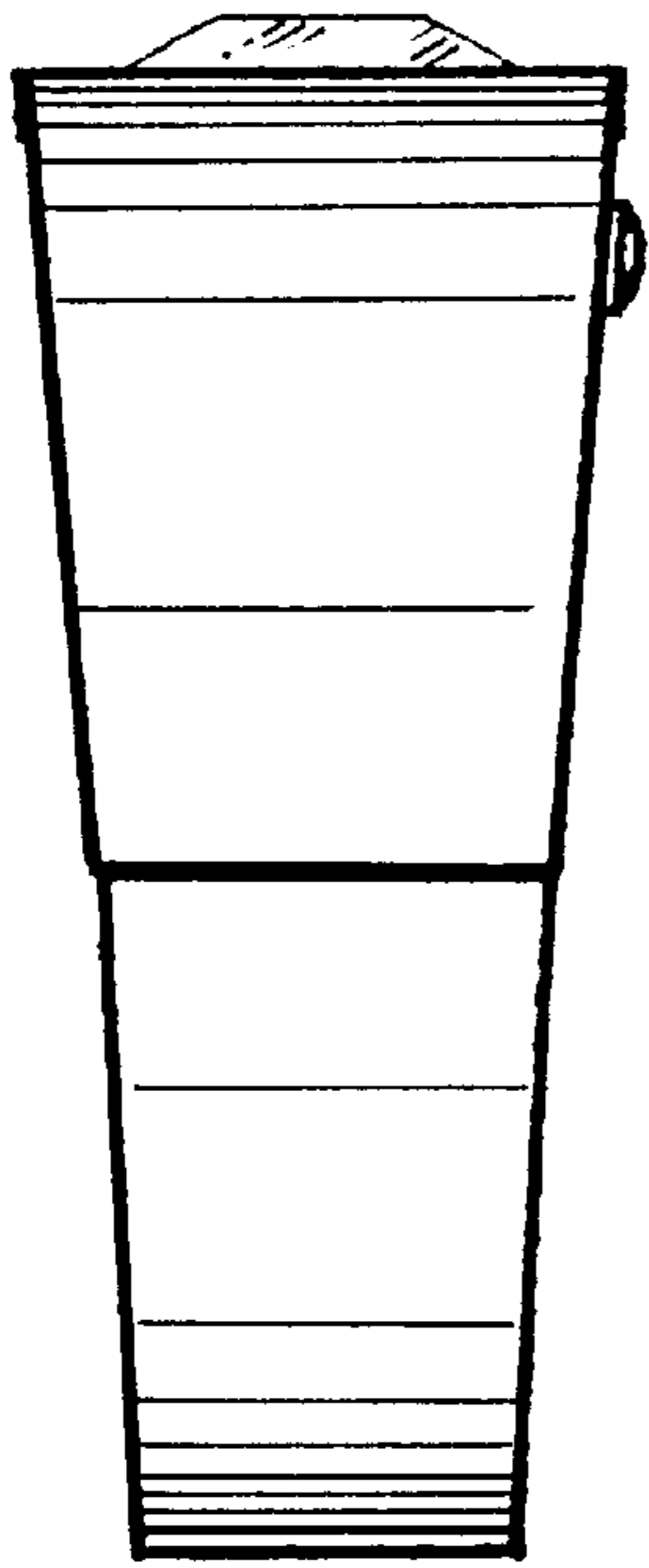
**FIG. 1**



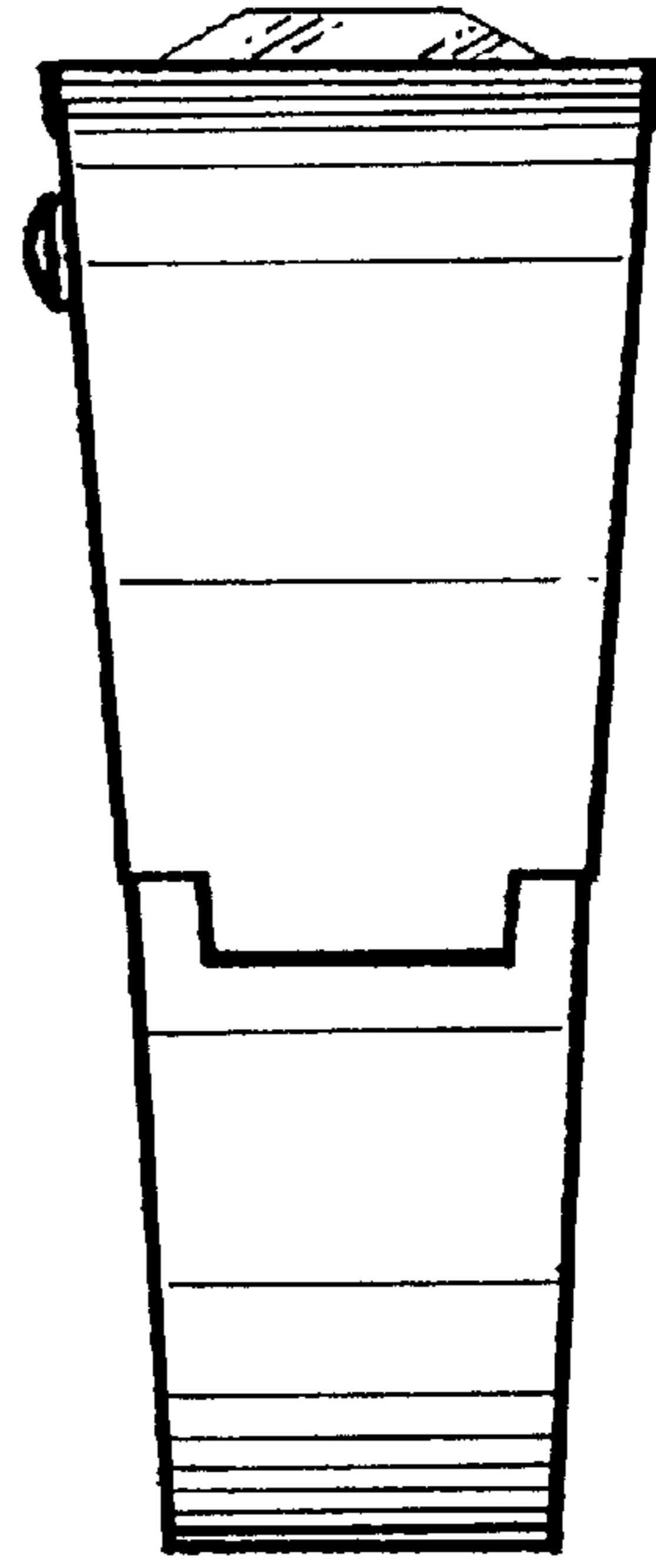
*FIG. 2*



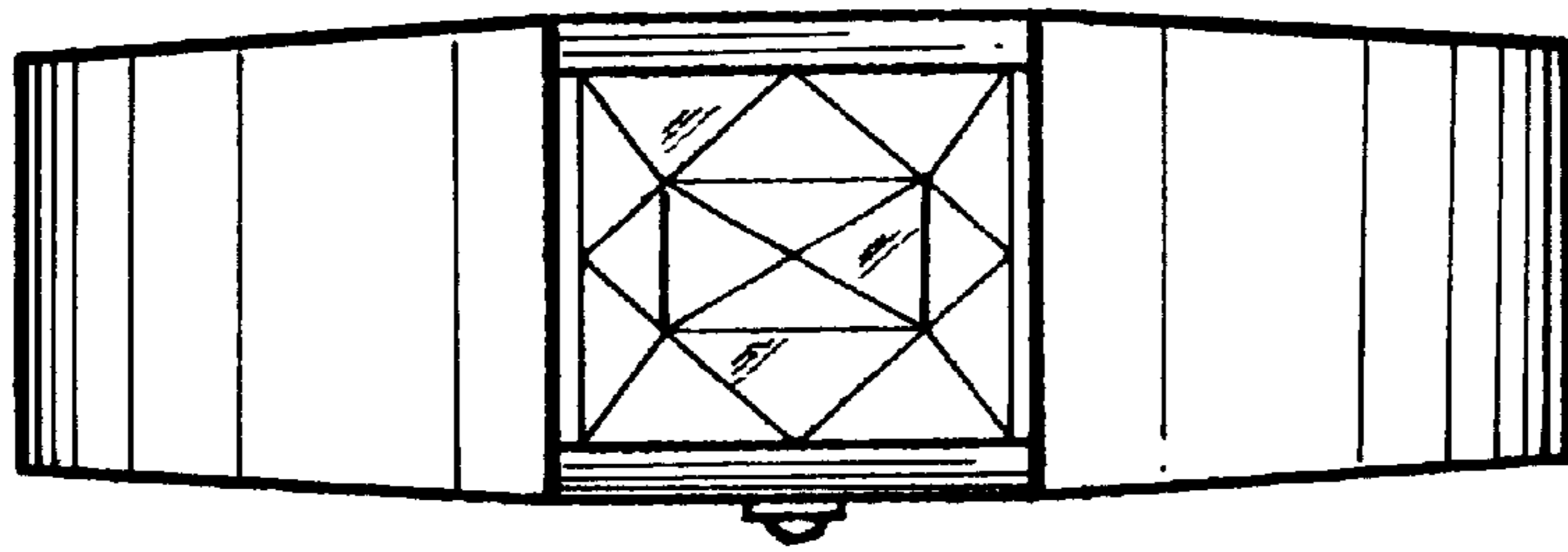
*FIG. 3*



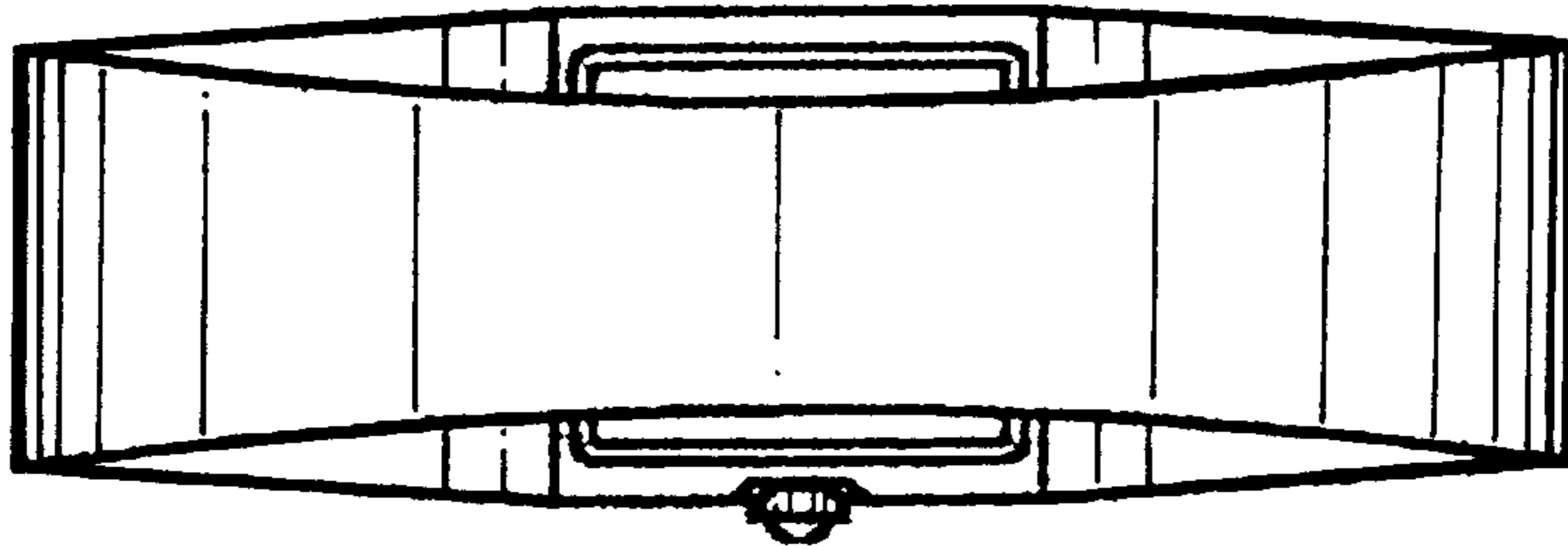
*FIG. 4*



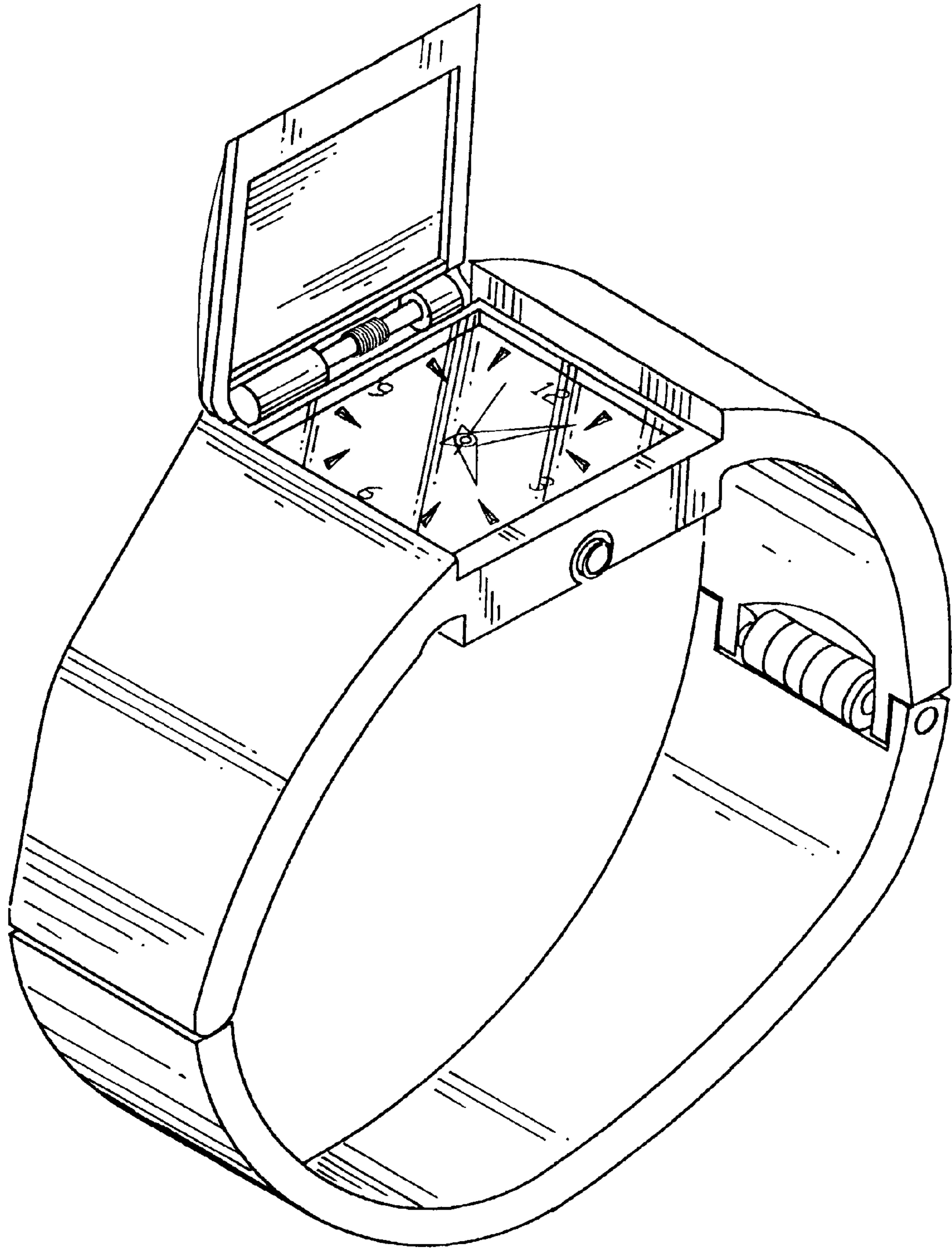
*FIG. 5*



*FIG. 6*



*FIG. 7*



**FIG. 8**