



US00D413524S

United States Patent [19]
Kokkinis

[11] **Patent Number: Des. 413,524**

[45] **Date of Patent: ** Sep. 7, 1999**

[54] **ALARM CLOCK**

[75] **Inventor: Serge Kokkinis**, Hong Kong, The Hong Kong Special Administrative Region of the People's Republic of China

[73] **Assignee: Alfa Technology Limited**, Hong Kong, The Hong Kong Special Administrative Region of the People's Republic of China

[**] **Term: 14 Years**

[21] **Appl. No.: 29/092,931**

[22] **Filed: Aug. 31, 1998**

[30] **Foreign Application Priority Data**

May 1, 1998 [HK] The Hong Kong Special Administrative Region of the People's Republic of China 9810606

[51] **LOC (6) Cl. 10-01**

[52] **U.S. Cl. D10/15; D10/1**

[58] **Field of Search D10/1-40, 122-132; 368/223, 228-229, 232, 276-277, 280-282, 285, 28-30, 41-44, 239-242, 10**

[56] **References Cited**

U.S. PATENT DOCUMENTS

- D. 220,518 4/1971 Kainass .
- D. 304,018 10/1989 Nomizu D10/2
- D. 304,453 11/1989 Matsushima D14/170
- D. 347,182 5/1994 Wada D10/28
- D. 402,655 12/1998 Hargrove D14/171

Primary Examiner—Nelson C. Holtje
Attorney, Agent, or Firm—Strasburger & Price, L.L.P.; Matthew J. Booth

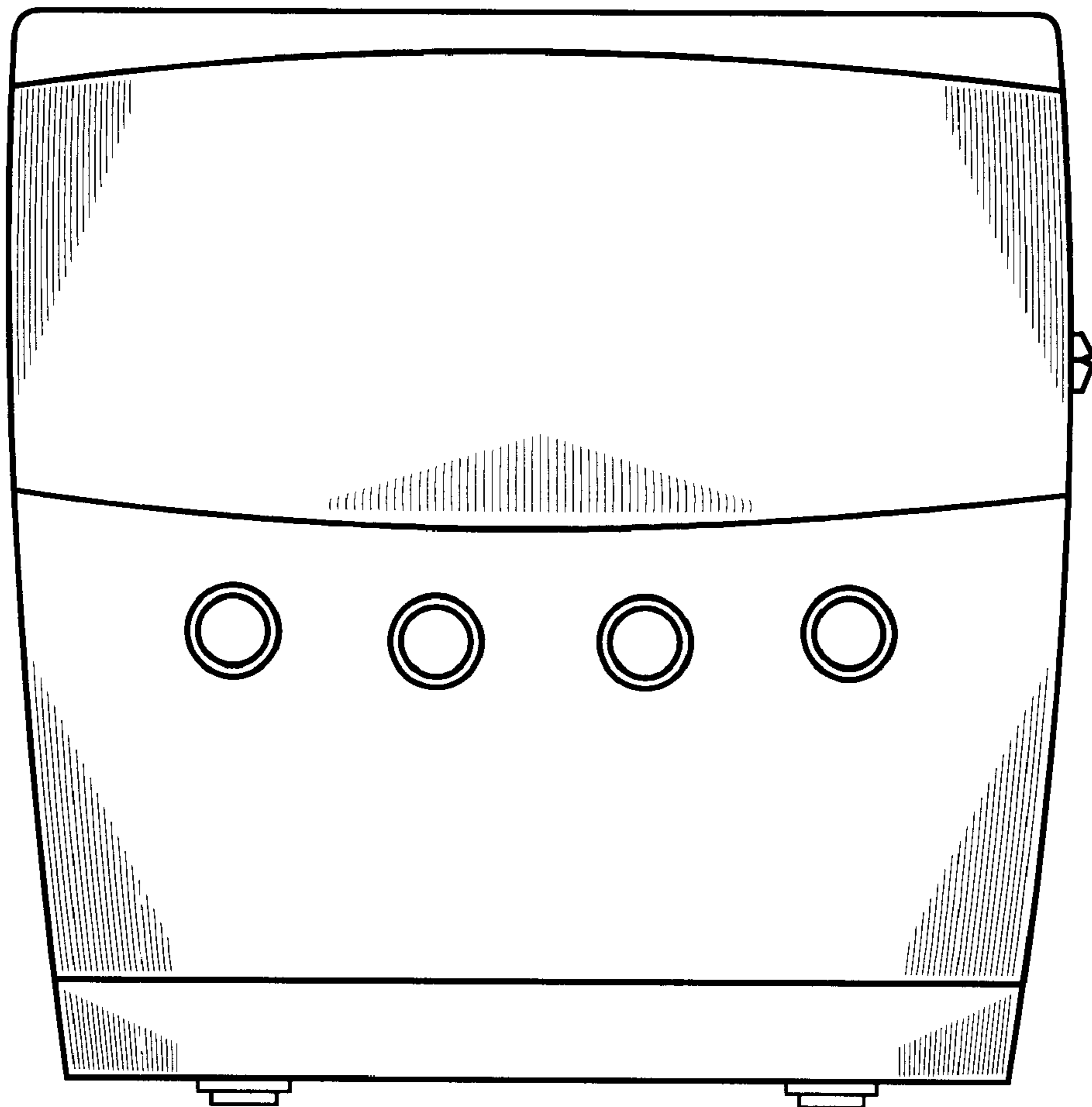
[57] **CLAIM**

I claimed the ornamental design for an alarm clock, as shown and described.

DESCRIPTION

FIG. 1 is a top view of the claimed invention.
FIG. 2 is a left view of the claimed invention.
FIG. 3 is a right view of the claimed invention; and,
FIG. 4 is a front view of the claimed invention.
The bottom and back views of the claimed invention are unornamented.

1 Claim, 4 Drawing Sheets



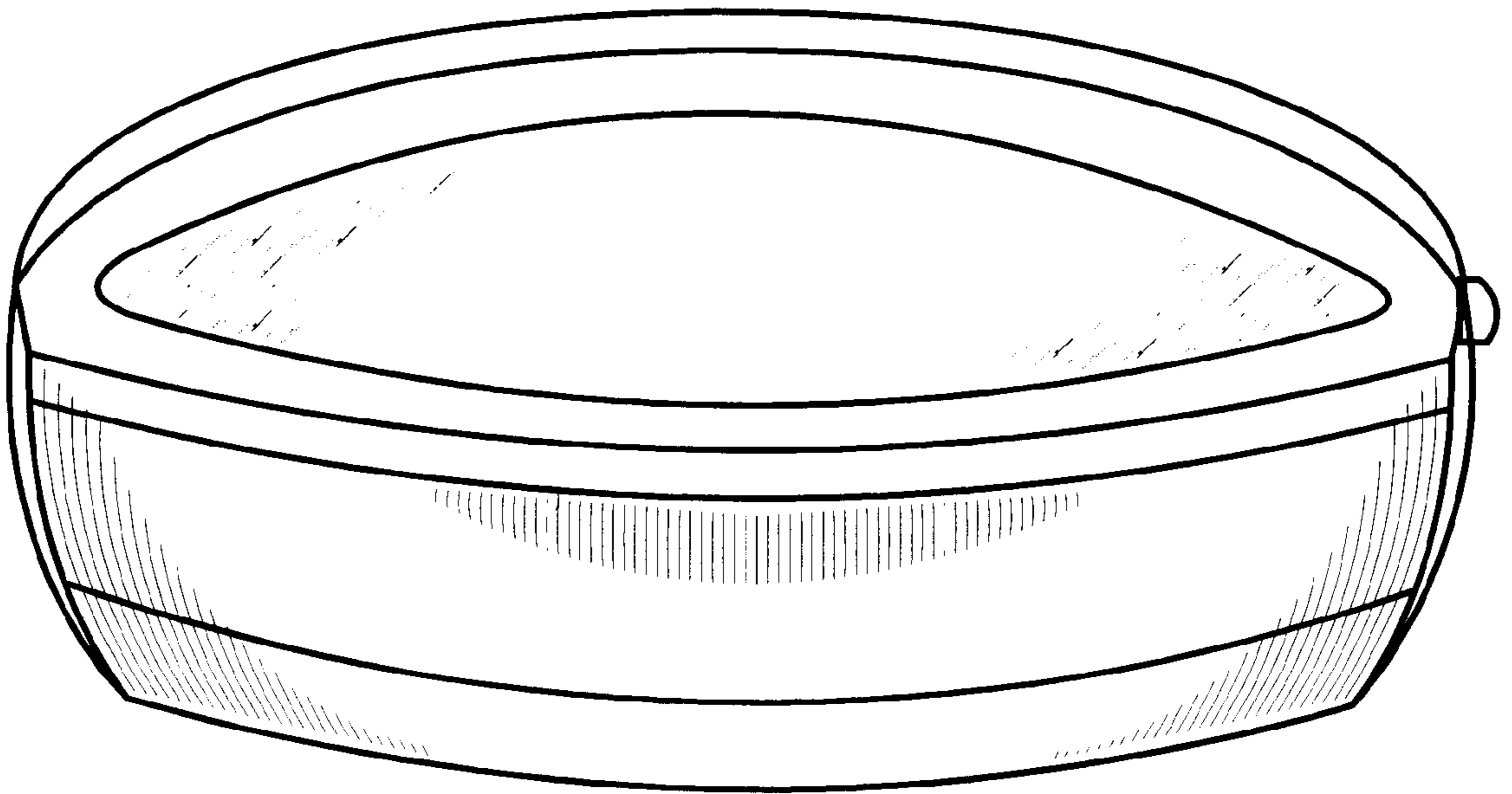


Figure 1

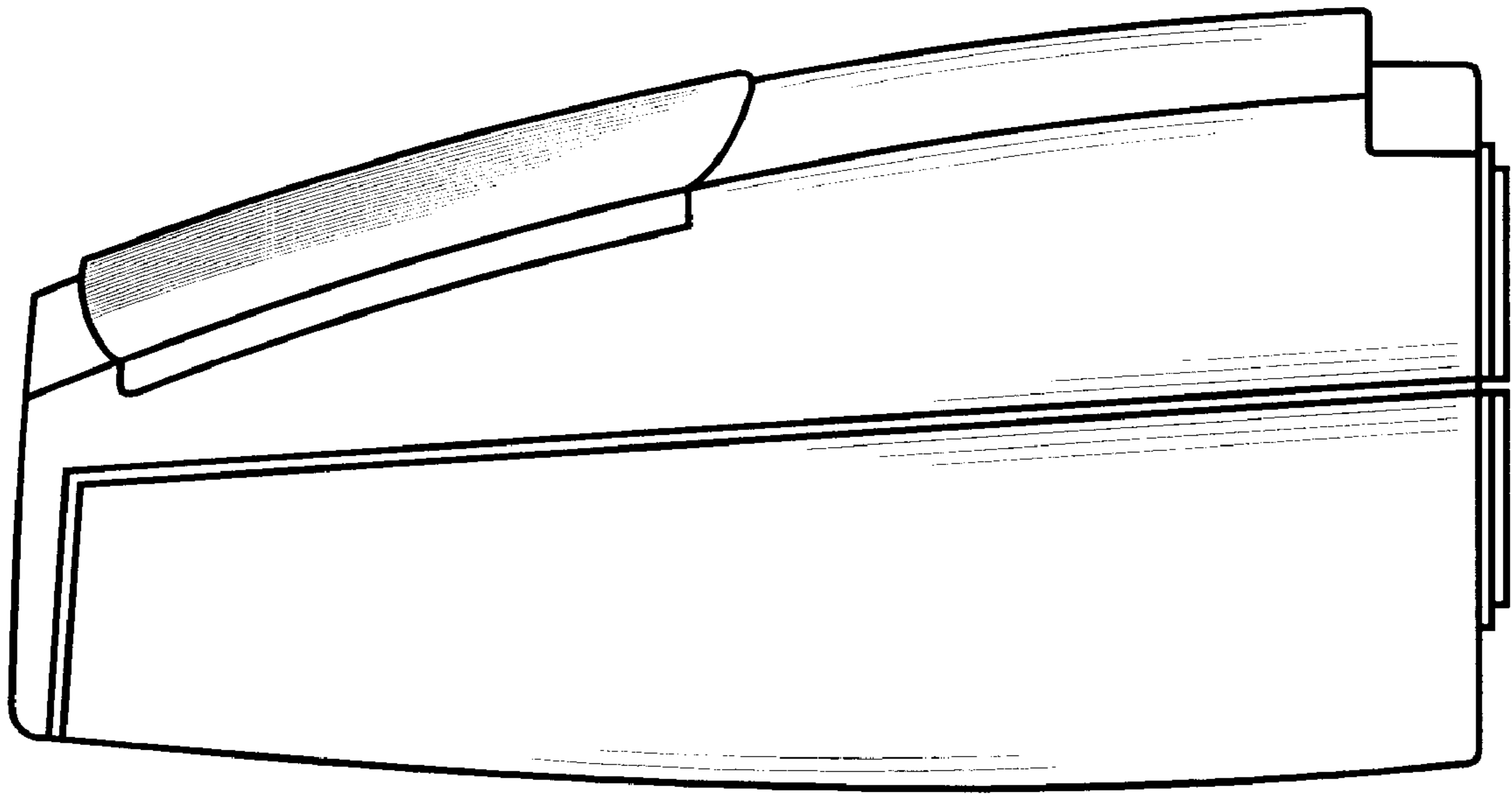


Figure 2

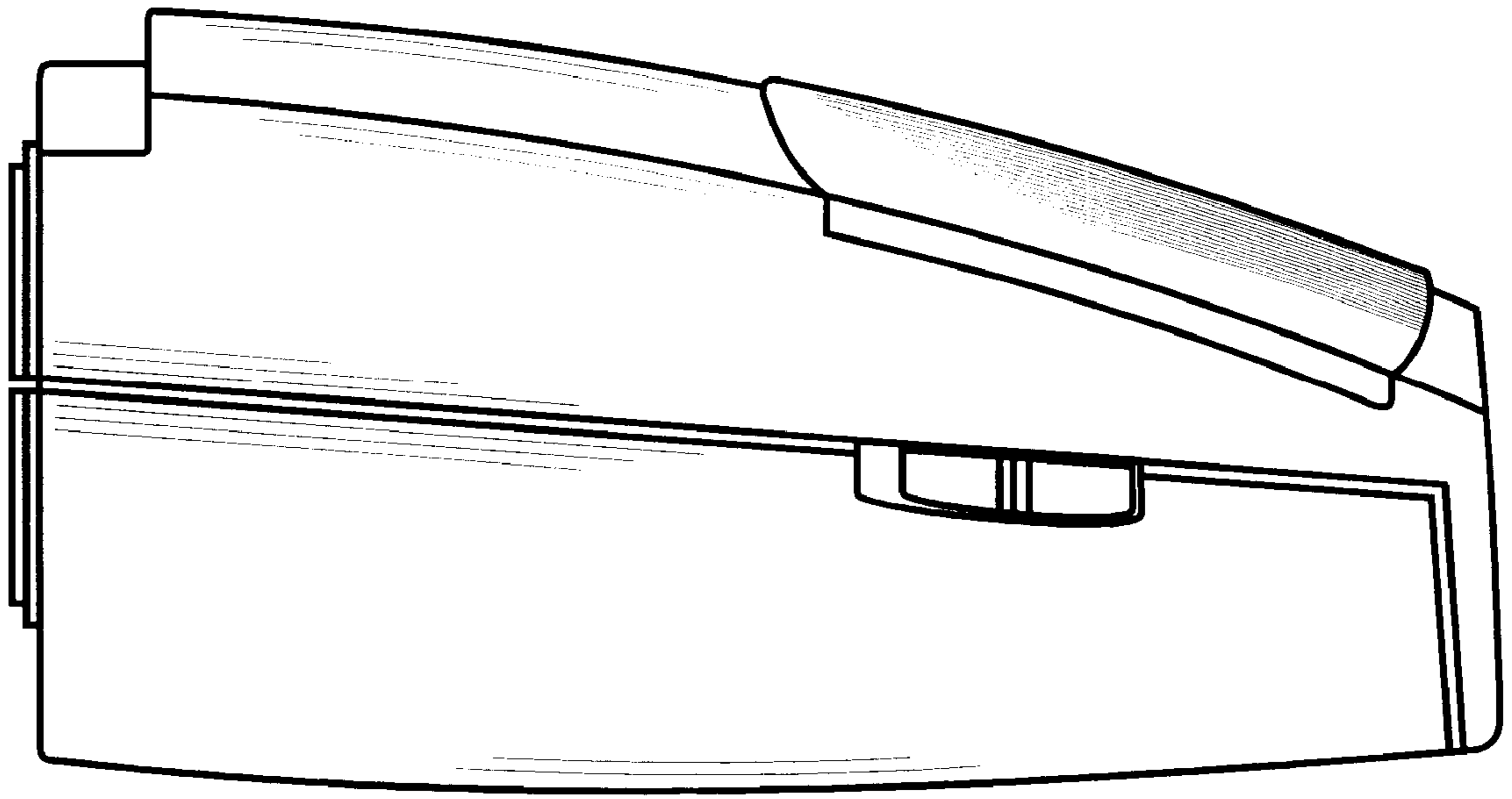


Figure 3

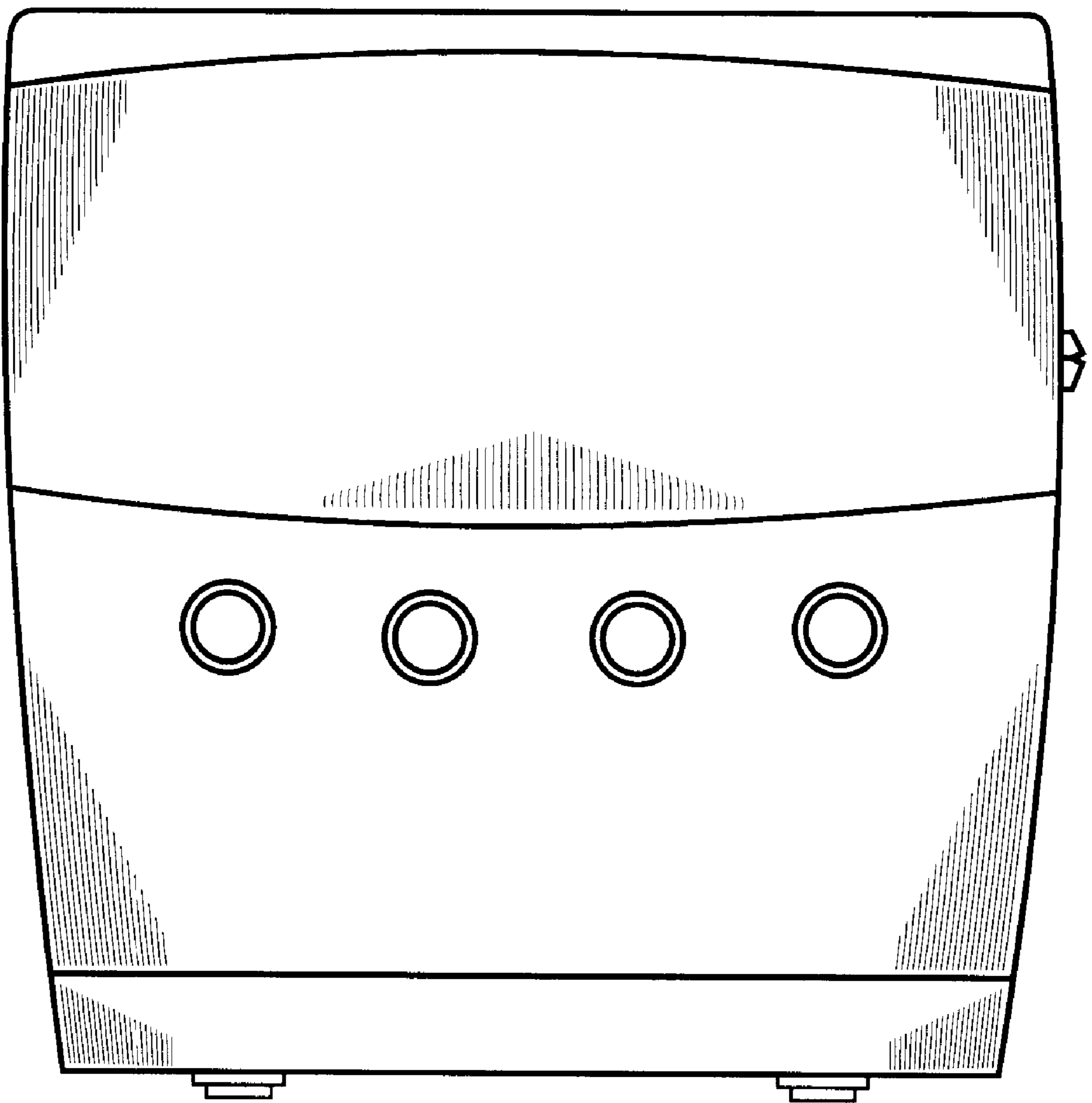


Figure 4