



US00D413522S

# United States Patent [19]

[11] **Patent Number: Des. 413,522**

**Liao**

[45] **Date of Patent: \*\* Sep. 7, 1999**

[54] **CLOCK**

D. 309,112	7/1990	Ziegler	.....	D10/6
D. 333,271	2/1993	Erlichman	.....	D10/2
D. 337,727	7/1993	Benton	.....	D10/6

[76] Inventor: **Da Sheng Liao**, No. 21, Alley 9, Lane 27, Sec.5, Min Sheng E.Rd., Taipei, Taiwan

*Primary Examiner*—Nelson C. Holtje

[\*\*] Term: **14 Years**

### [57] CLAIM

[21] Appl. No.: **29/099,116**

The ornamental design for a “clock, ” as shown and described.

[22] Filed: **Jan. 6, 1999**

### DESCRIPTION

[51] **LOC (6) Cl.** ..... **10-01**

FIG. 1 is the perspective view of a “clock” showing my new design;

[52] **U.S. Cl.** ..... **D10/6; D10/2**

FIG. 2 is the front view thereof;

[58] **Field of Search** ..... D10/1-40, 122-132; 368/276-277, 285, 316-317, 10

FIG. 3 is the rear view thereof;

FIG. 4 is the left side view thereof;

FIG. 5 is the right side view thereof;

FIG. 6 is the top view thereof; and,

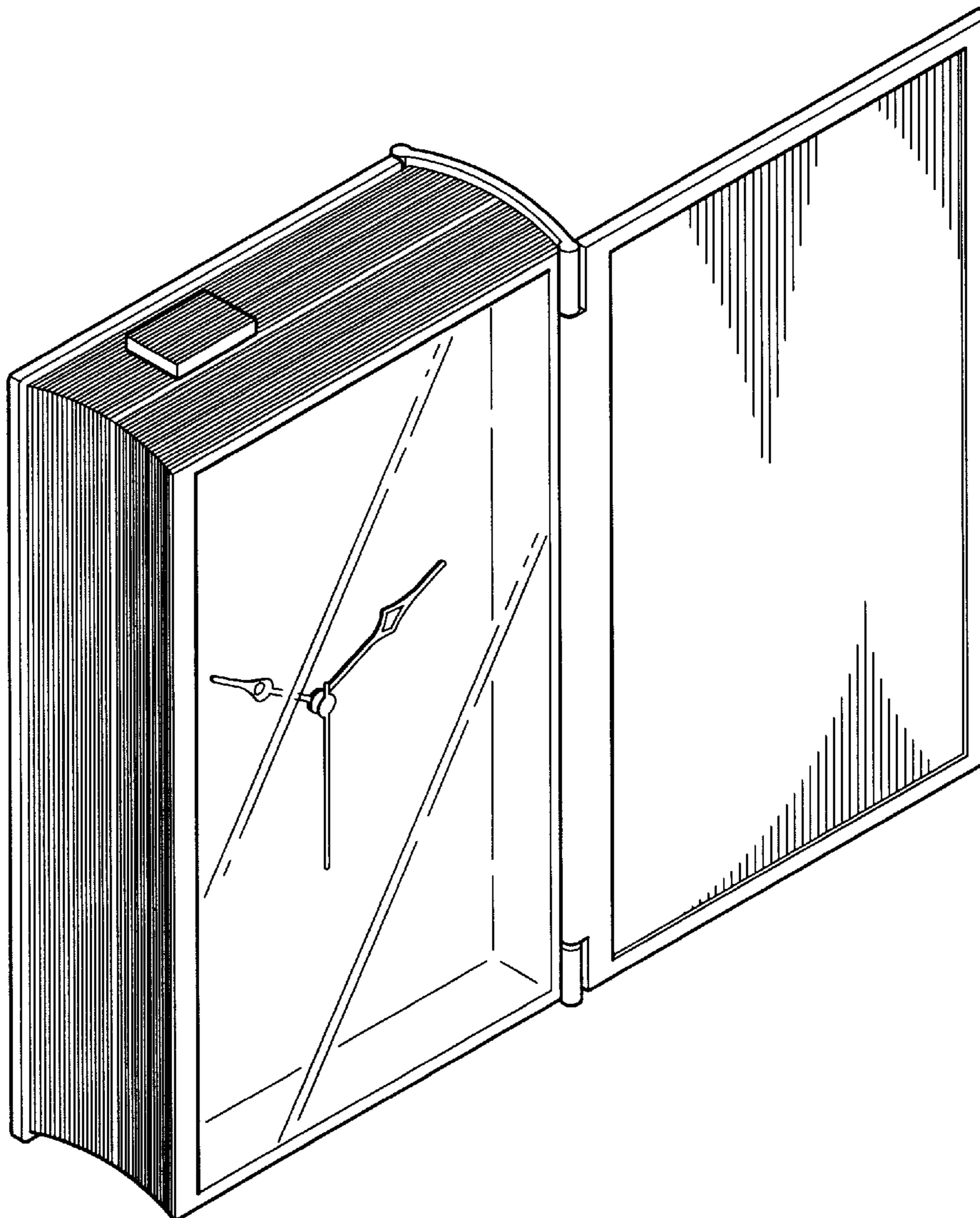
FIG. 7 is the bottom view thereof.

### [56] References Cited

#### U.S. PATENT DOCUMENTS

D. 109,323	4/1938	Jenkins	.....	D10/6
D. 238,856	2/1976	Koplar	.....	D10/6
D. 308,490	6/1990	Ziegler	.....	D10/6

**1 Claim, 4 Drawing Sheets**



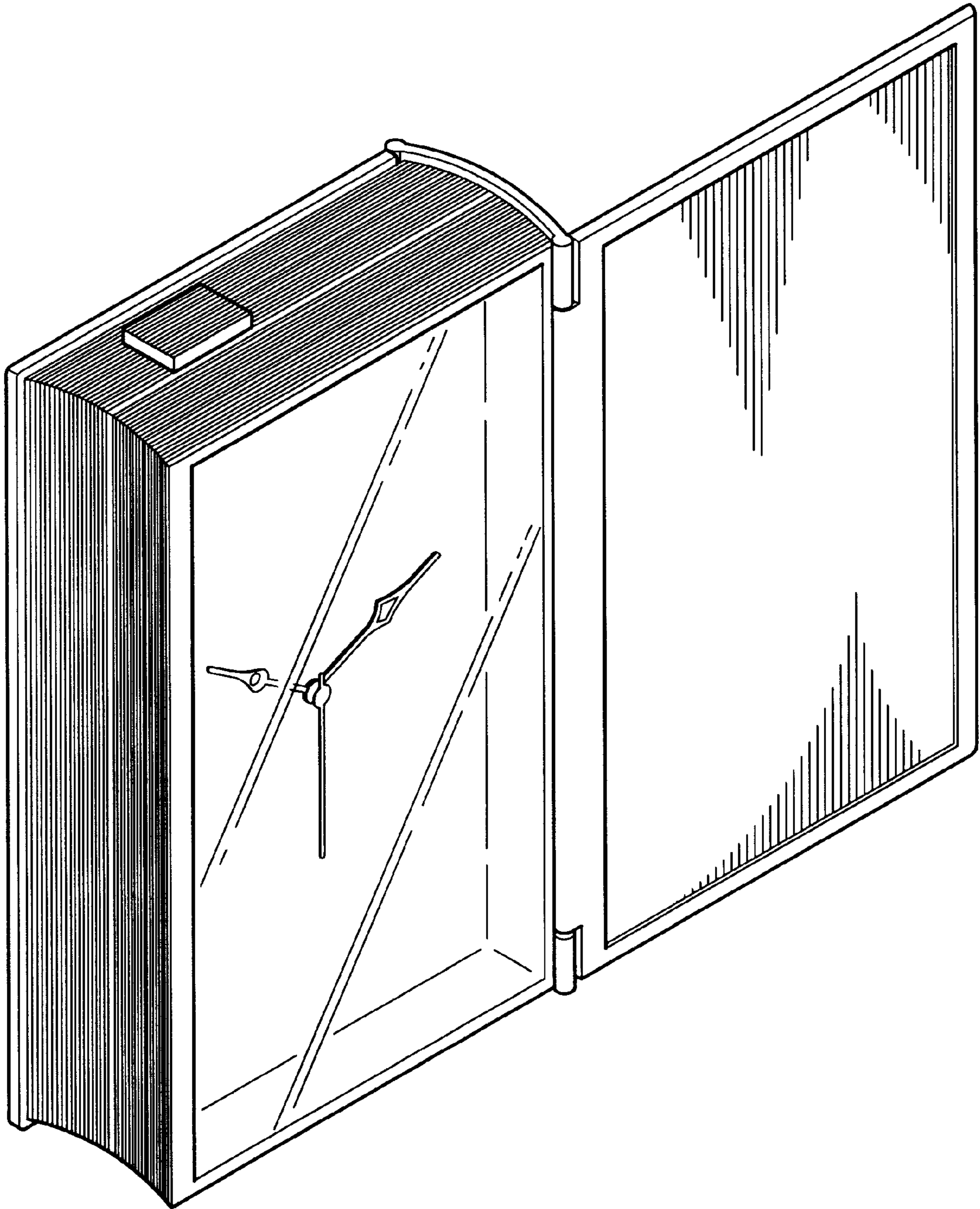


FIG. 1

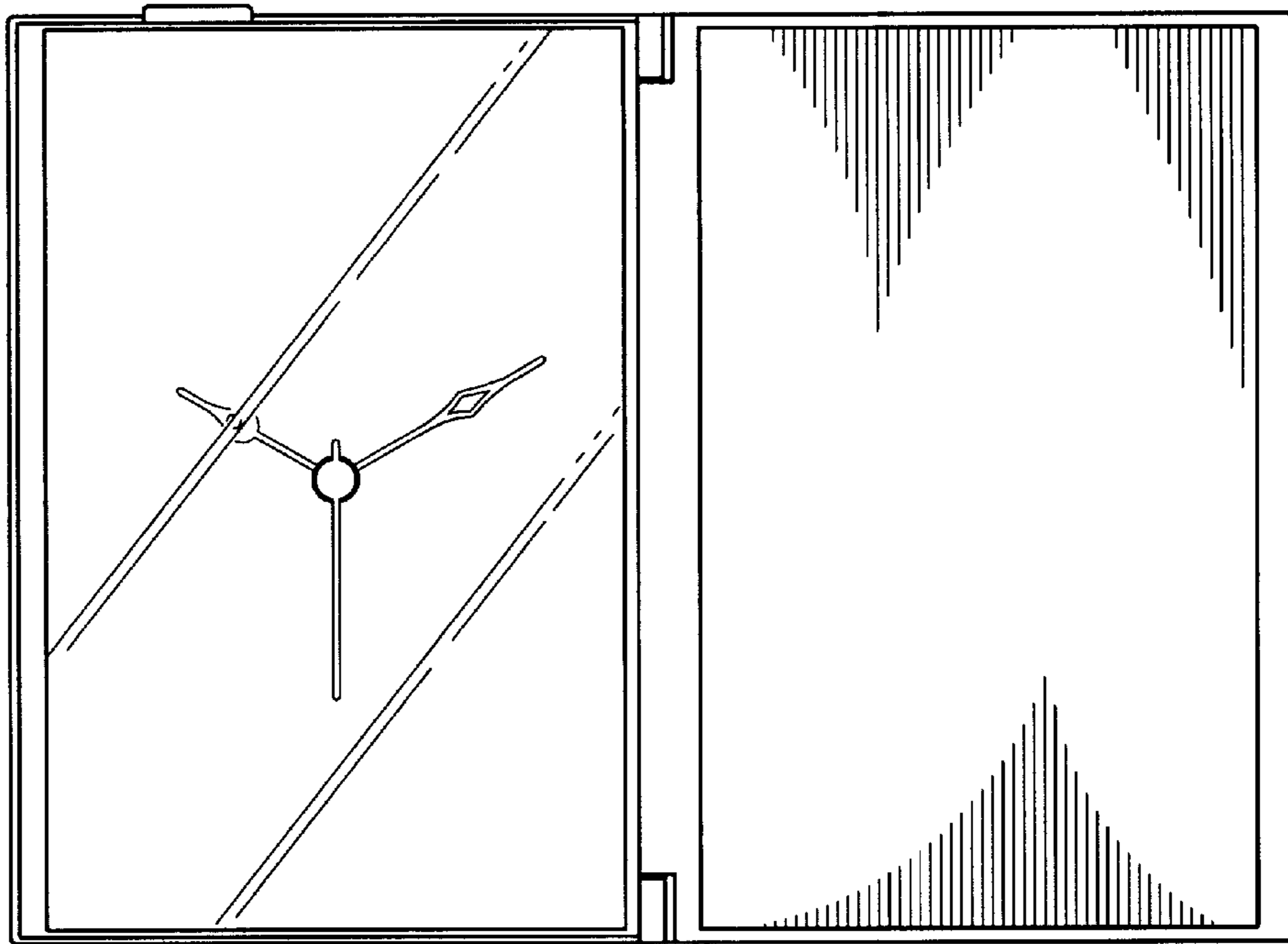


FIG. 2

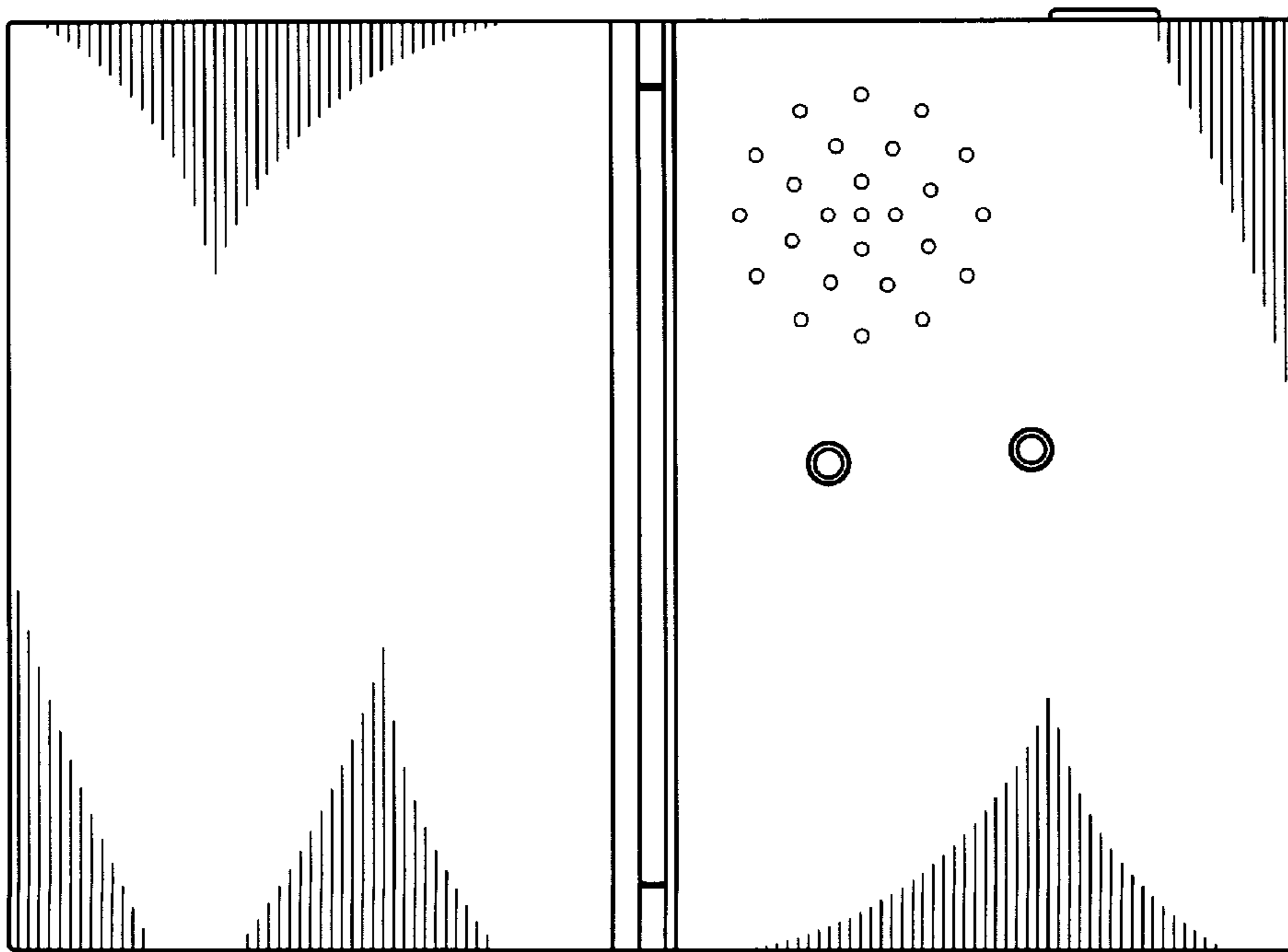


FIG. 3

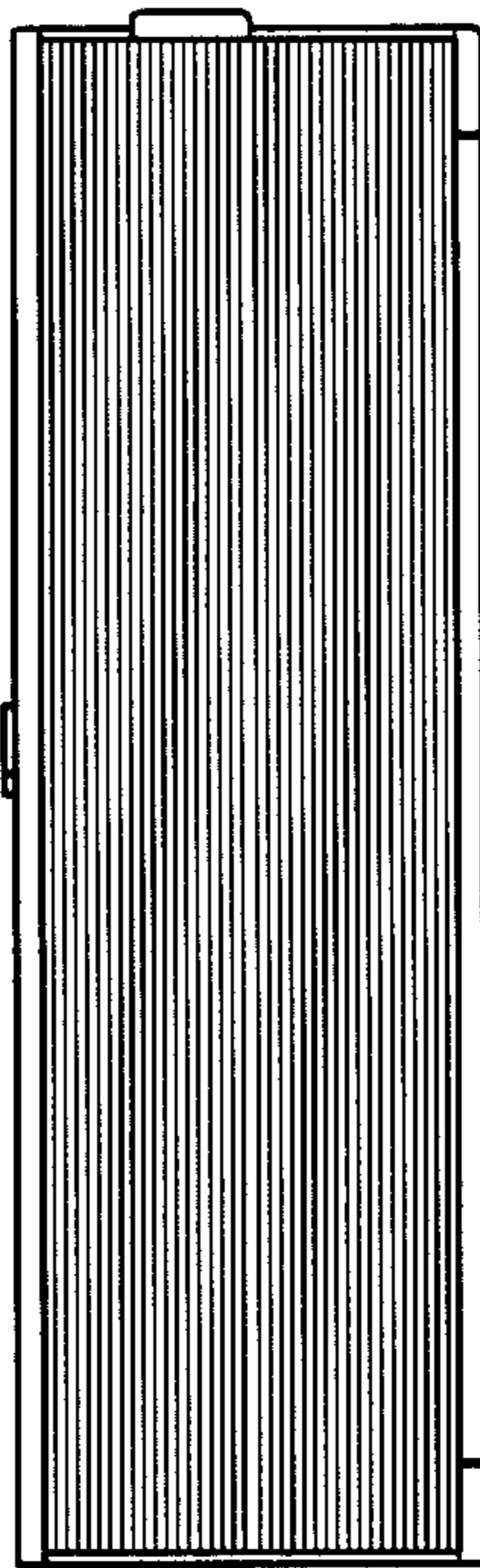


FIG. 4

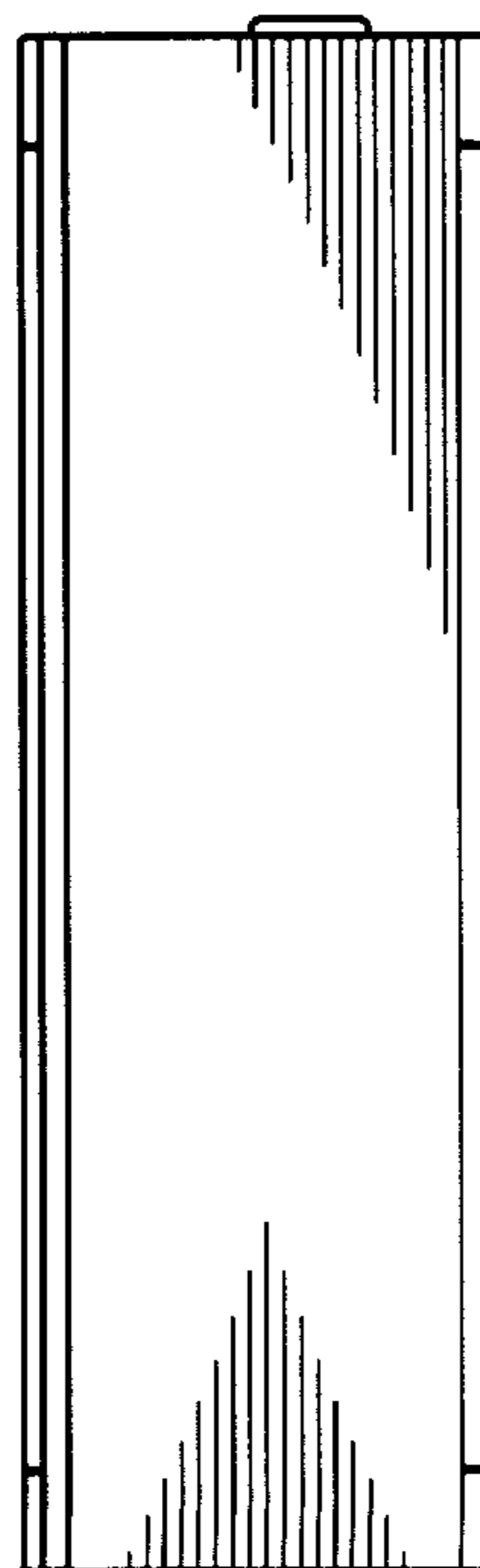


FIG. 5

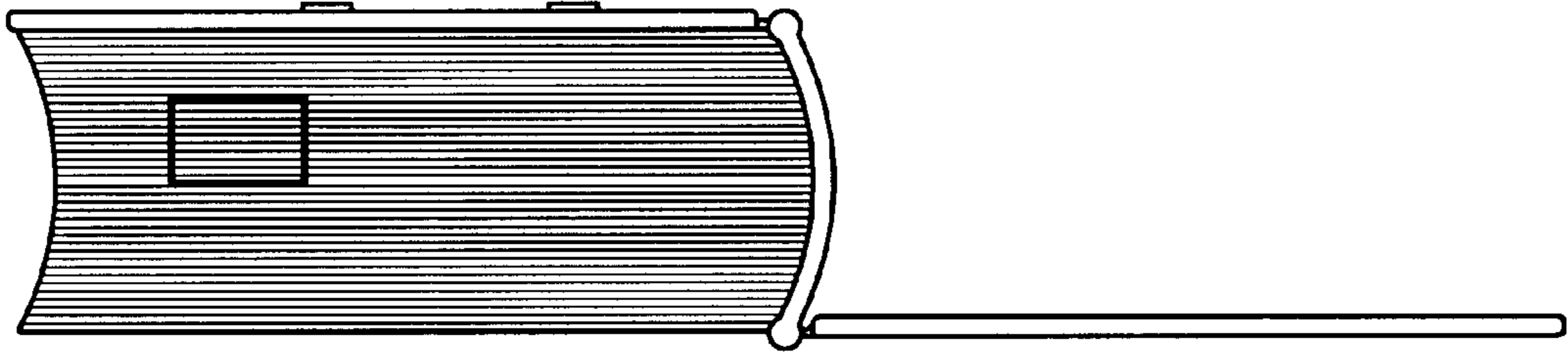


FIG. 6

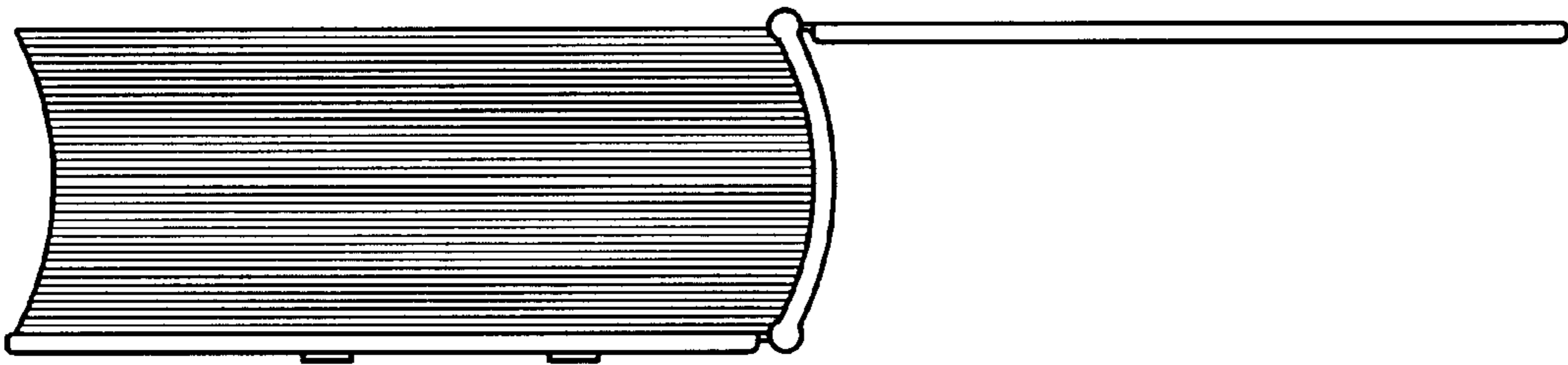


FIG. 7