



US00D413508S

United States Patent [19] Shibao

[11] Patent Number: **Des. 413,508**

[45] Date of Patent: **** Sep. 7, 1999**

[54] **FASTENER**

5,448,809 9/1995 Kraus 24/453
5,533,237 7/1996 Higgins 24/297

[75] Inventor: **Masaharu Shibao**, Sagamihara, Japan

Primary Examiner—B. J. Bullock
Attorney, Agent, or Firm—Kanesaka & Takeuchi

[73] Assignee: **Nifco Inc.**, Yokohama, Japan

[**] Term: **14 Years**

[57] **CLAIM**

[21] Appl. No.: **29/051,185**

The ornamental design for a fastener, as shown and described.

[22] Filed: **Mar. 5, 1996**

DESCRIPTION

[30] Foreign Application Priority Data

Sep. 5, 1995 [JP] Japan 7-26020

[51] **LOC (6) Cl.** **08-08**

[52] **U.S. Cl.** **D8/382**

[58] **Field of Search** D8/382; 24/297,
24/453; 411/508, 913

FIG. 1 is a top plan view of a fastener showing my new design;

FIG. 2 is a front view thereof, the rear view being identical;

FIG. 3 is a left side view thereof, the right side view being identical;

FIG. 4 is a bottom plan view thereof;

FIG. 5 is a cross sectional view taken along line 5—5 in FIG. 1;

FIG. 6 is a cross sectional view taken along line 6—6 in FIG. 2; and,

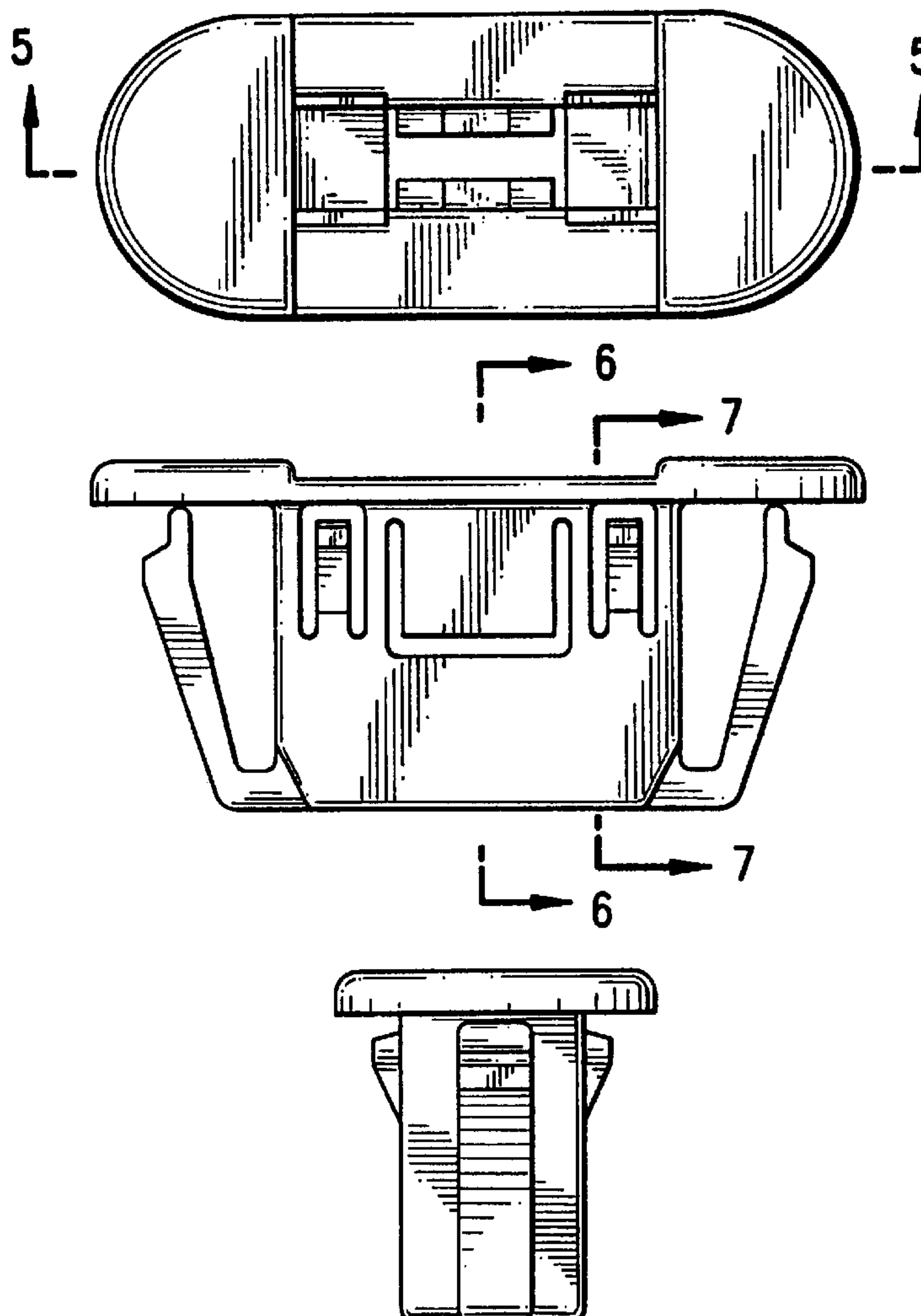
FIG. 7 is a cross sectional view taken along line 7—7 in FIG. 2.

[56] References Cited

U.S. PATENT DOCUMENTS

D. 299,113 12/1988 Takahashi D8/382
4,865,505 9/1989 Okada 411/508
5,193,961 3/1993 Hoyle et al. 24/297

1 Claim, 2 Drawing Sheets



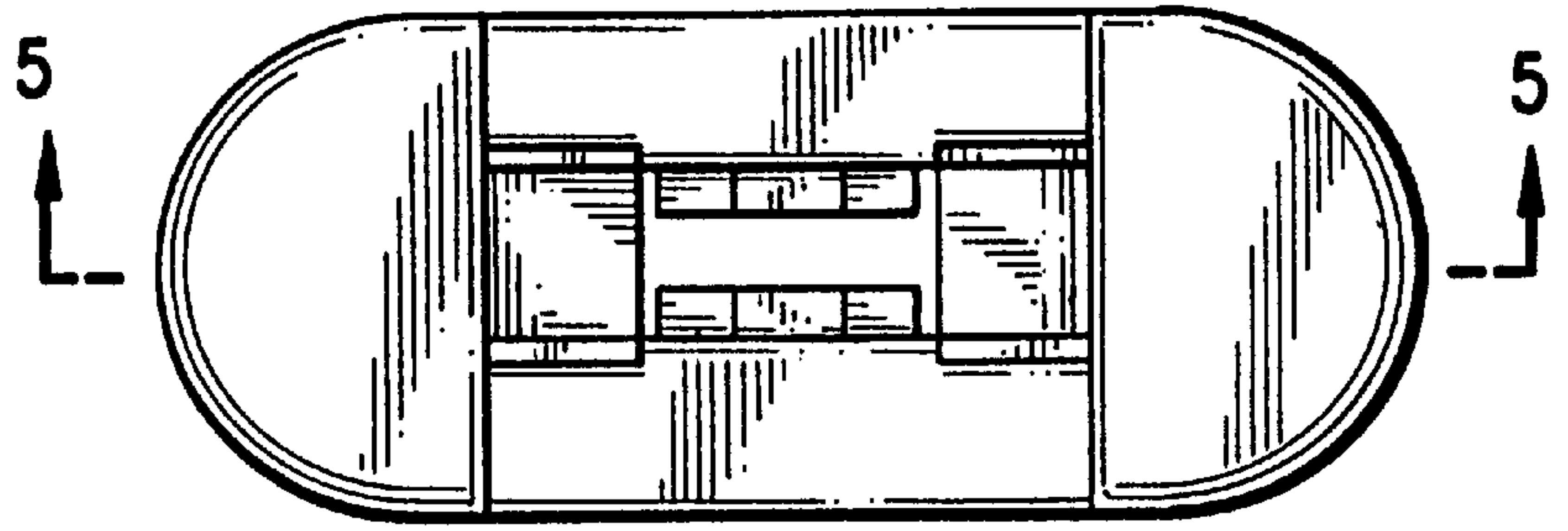


FIG. 1

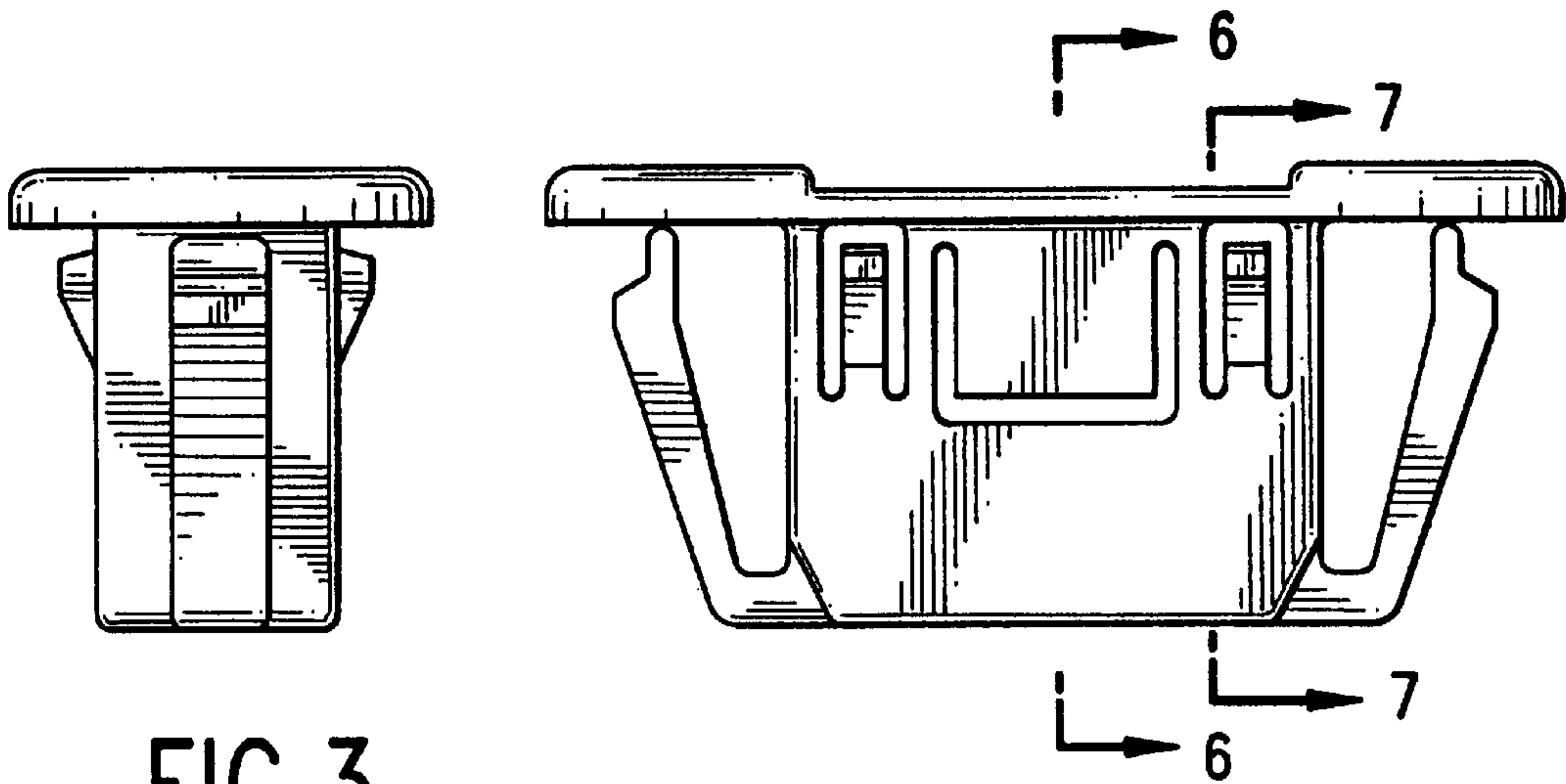


FIG. 2

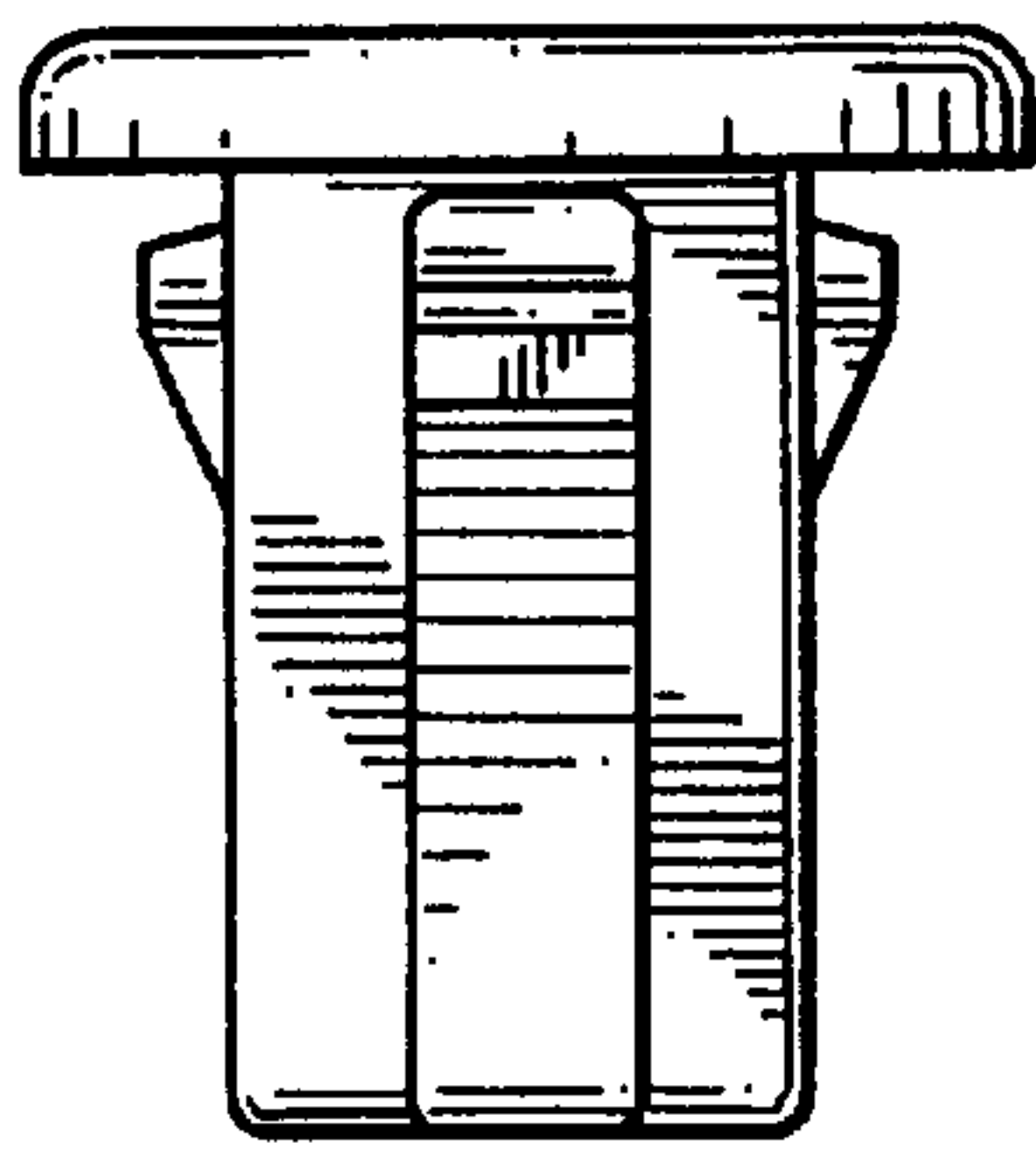


FIG. 3

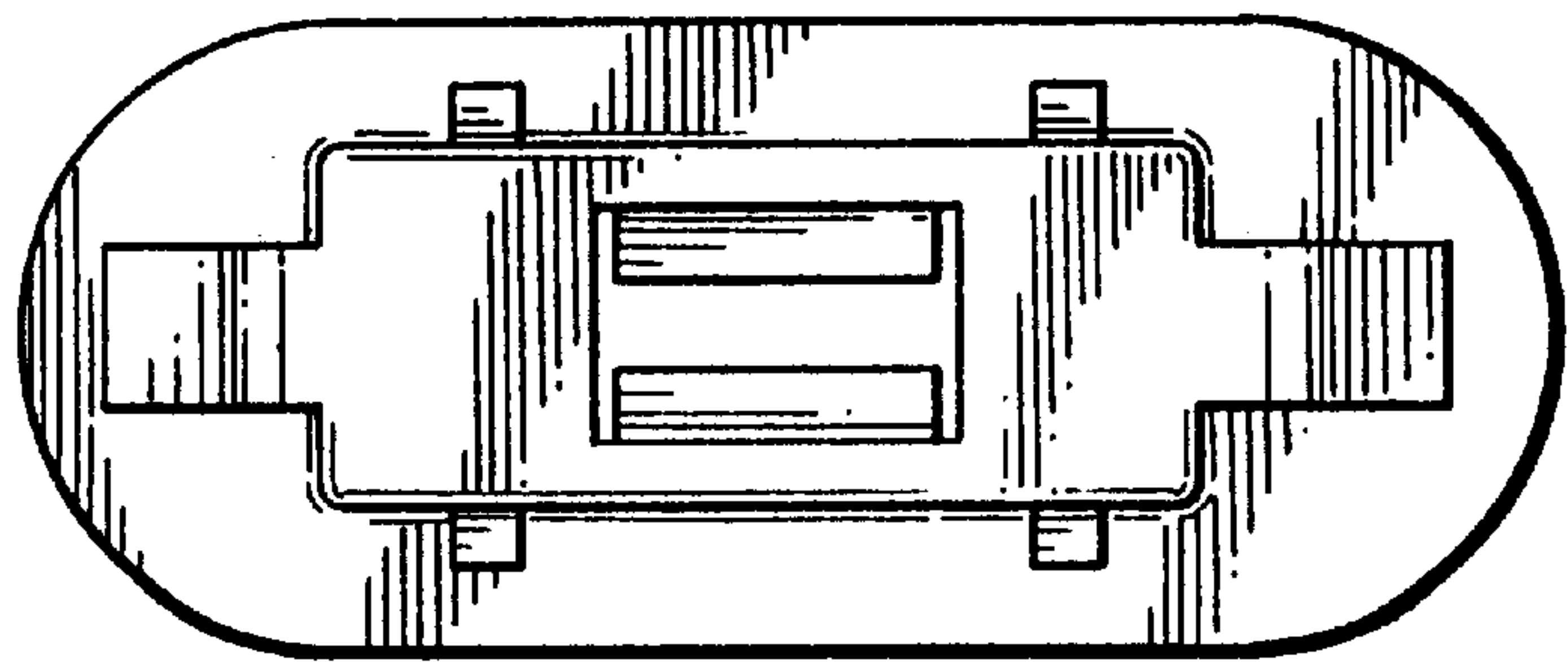


FIG. 4

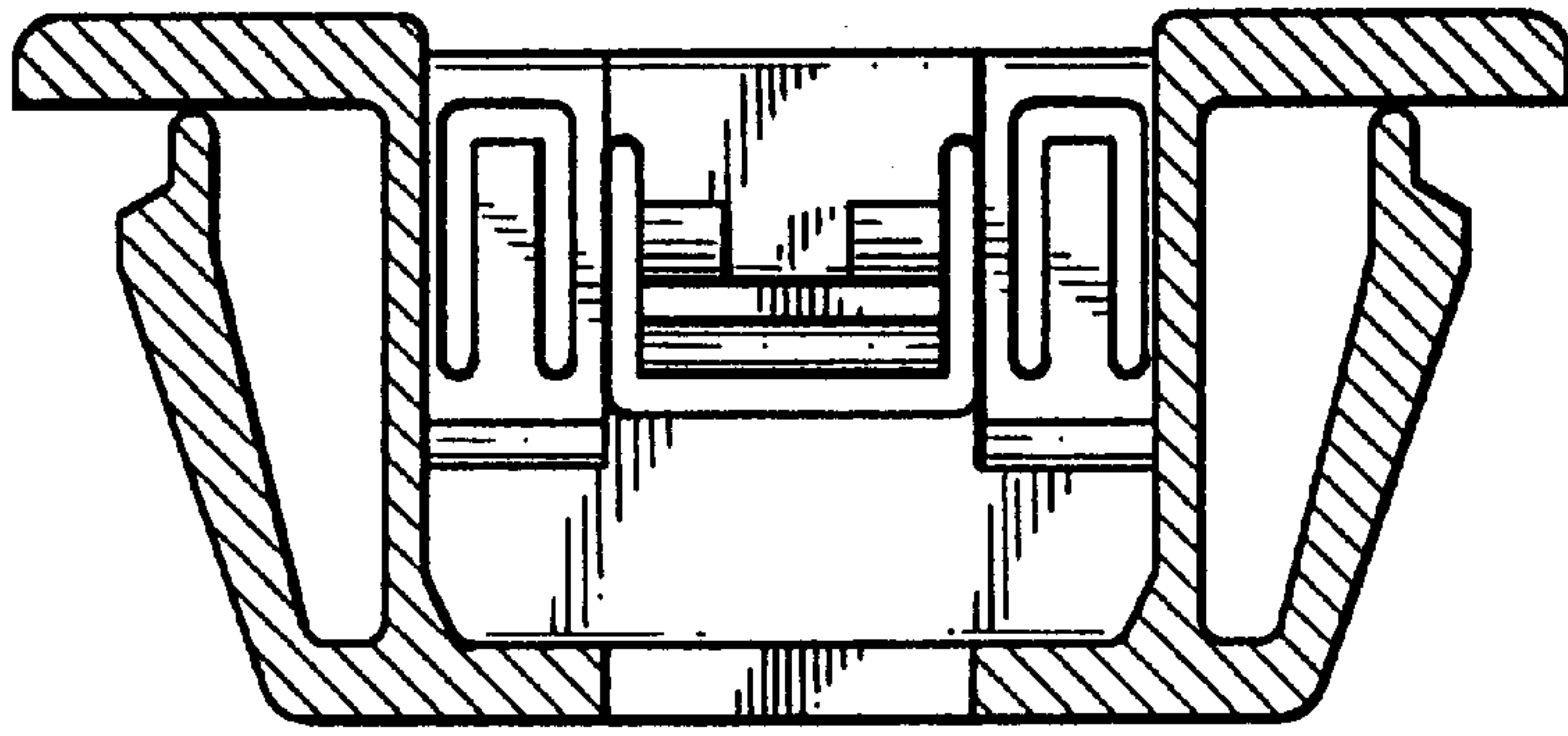


FIG. 5

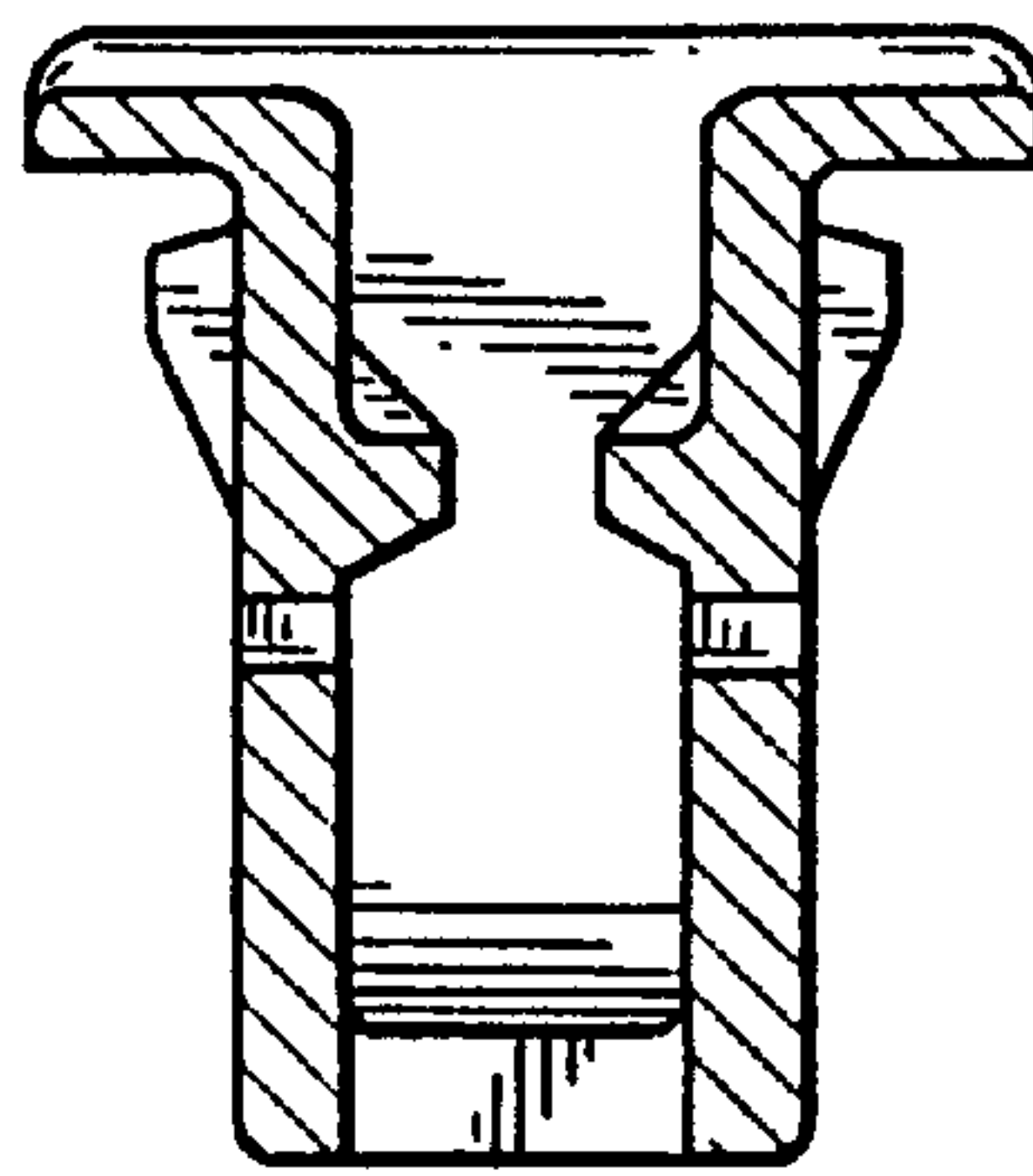


FIG. 6

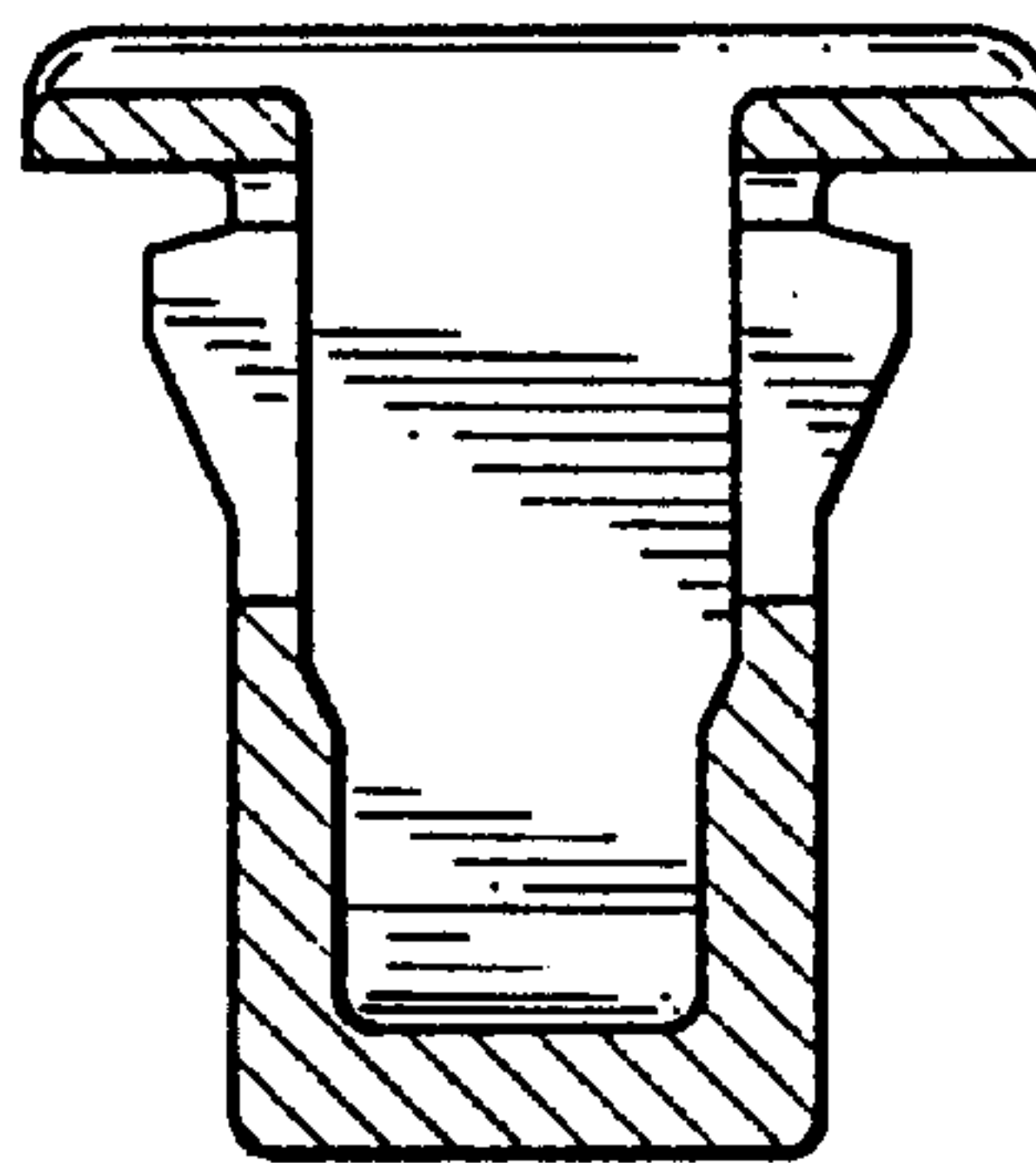


FIG. 7