



US00D413507S

**United States Patent** [19]  
**Wu**

[11] **Patent Number: Des. 413,507**

[45] **Date of Patent: \*\* Sep. 7, 1999**

[54] **CARRIER FOR CURTAIN**

D. 278,794 5/1985 Vater ..... D8/377

[75] Inventor: **Junn Ming Wu**, Kaohsiung, Taiwan

*Primary Examiner*—Holly Baynham  
*Attorney, Agent, or Firm*—Bacon & Thomas, PLLC

[73] Assignee: **Bao Song Precision Industry Co., Ltd.**, Kaohsiung, Taiwan

[57] **CLAIM**

[\*\*] Term: **14 Years**

The ornamental design for carrier for curtain, as shown.

[21] Appl. No.: **29/091,237**

**DESCRIPTION**

[22] Filed: **Jul. 24, 1998**

FIG. 1 is a perspective view of the carrier for curtain in accordance with the first embodiment of the claimed design; FIG. 2 is a top plan view thereof; FIG. 3 is a front elevational view thereof; FIG. 4 is a left side elevational view thereof; FIG. 5 is a right side elevational view thereof; FIG. 6 is a rear elevational view thereof; and, FIG. 7 is a bottom plan view thereof.

[51] **LOC (6) Cl.** ..... **08-05**

[52] **U.S. Cl.** ..... **D8/377**

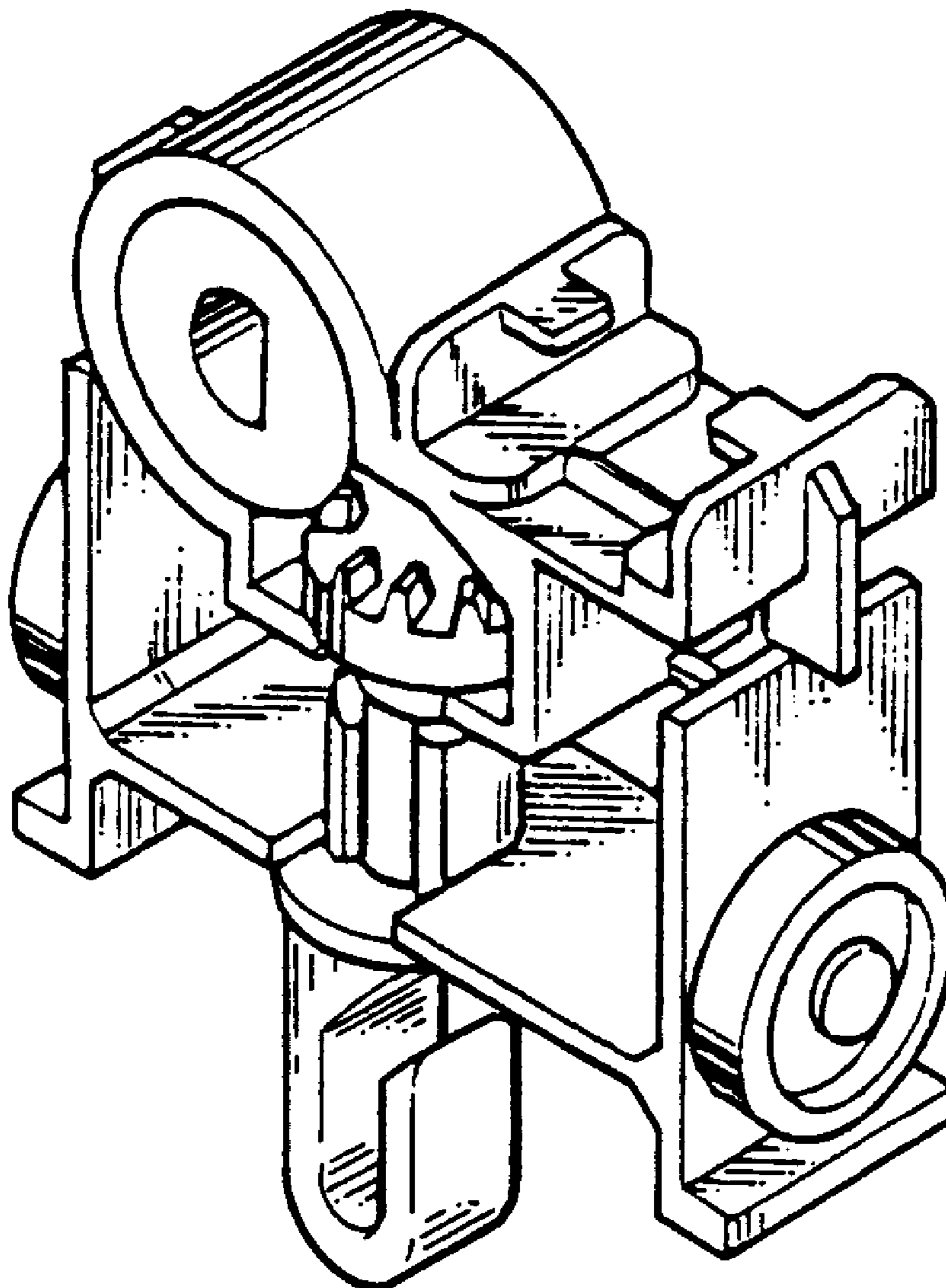
[58] **Field of Search** ..... D8/376, 377; 16/97, 16/91, 105-107

[56] **References Cited**

**U.S. PATENT DOCUMENTS**

D. 259,330 5/1981 Stine ..... D8/377

**1 Claim, 3 Drawing Sheets**



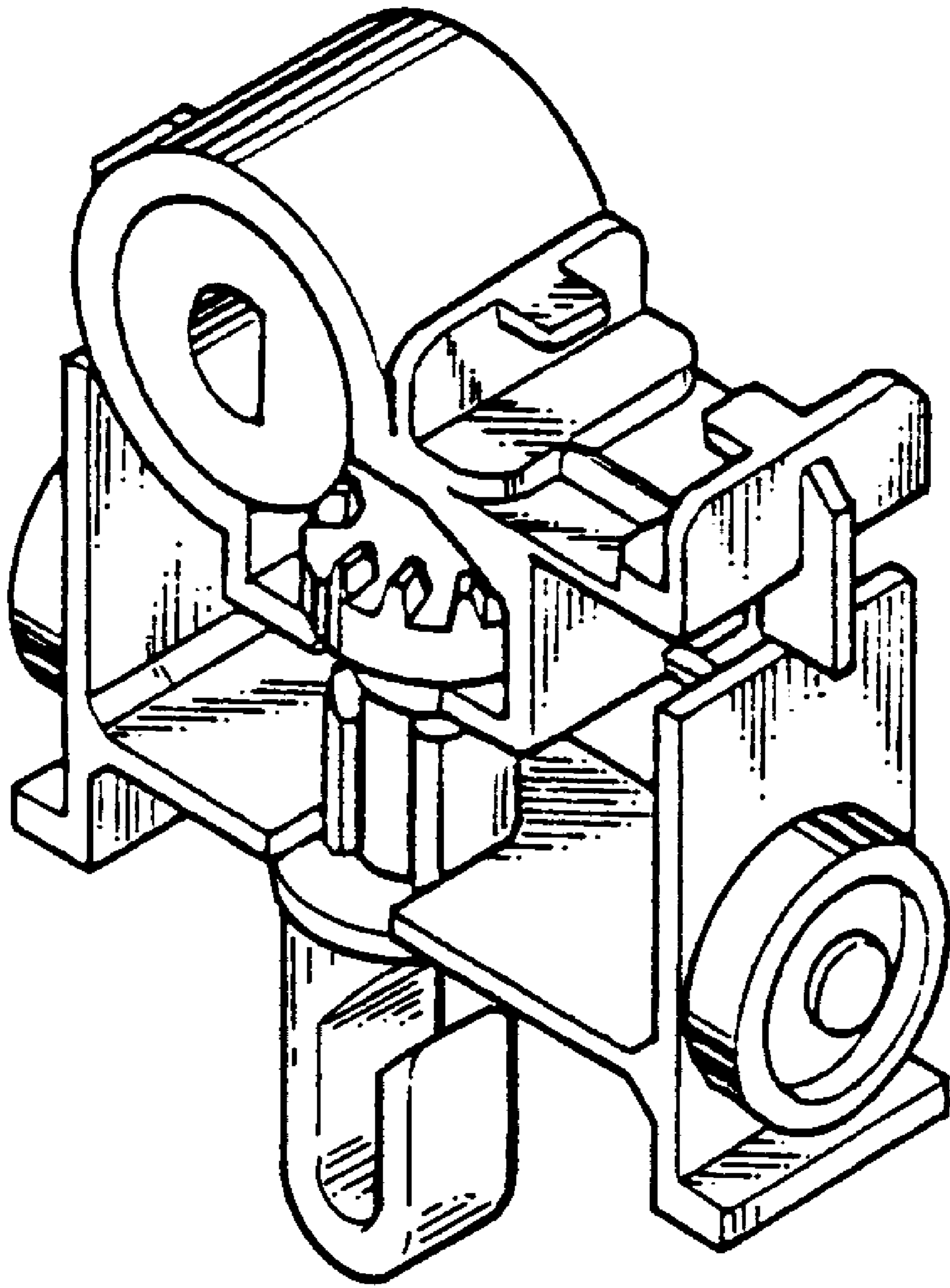


FIG. 1

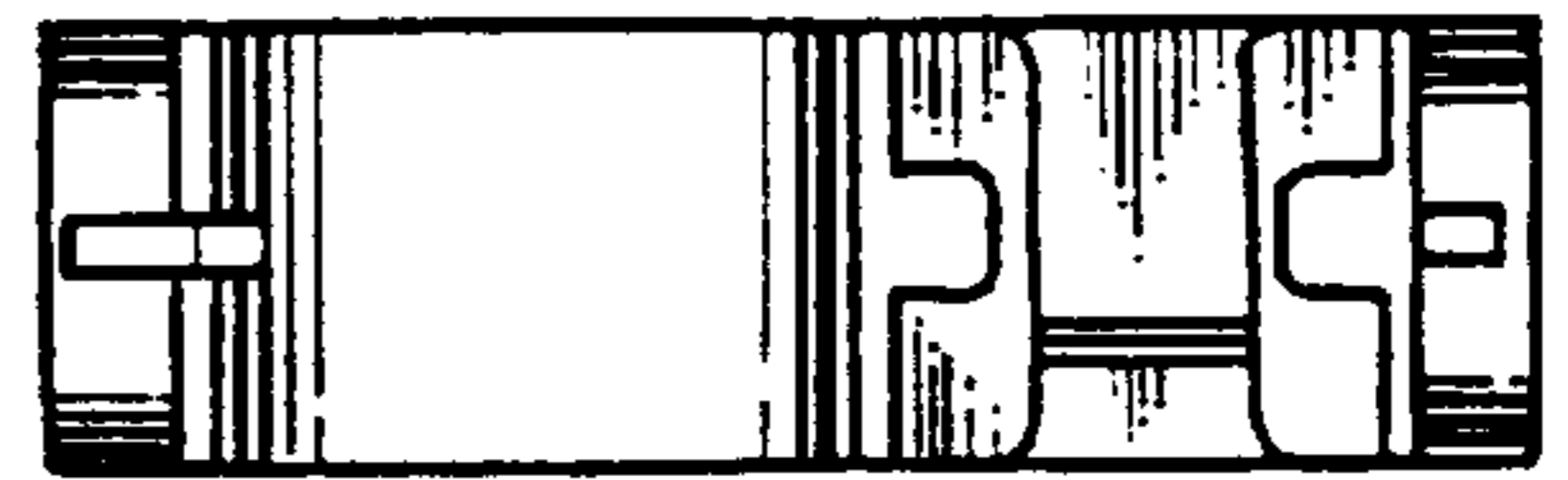


FIG. 2

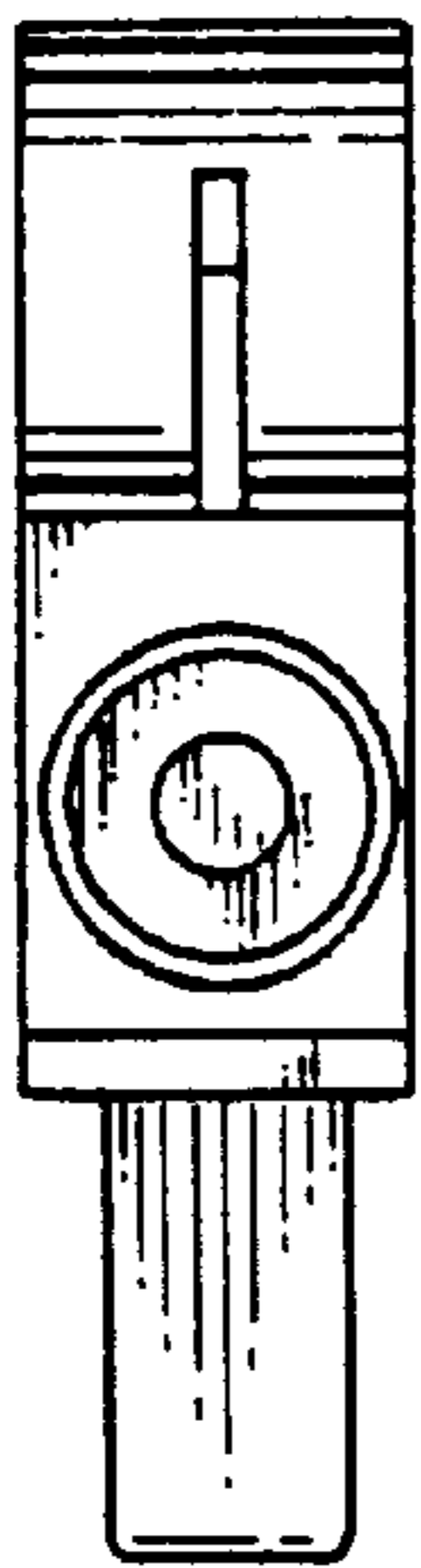


FIG. 4

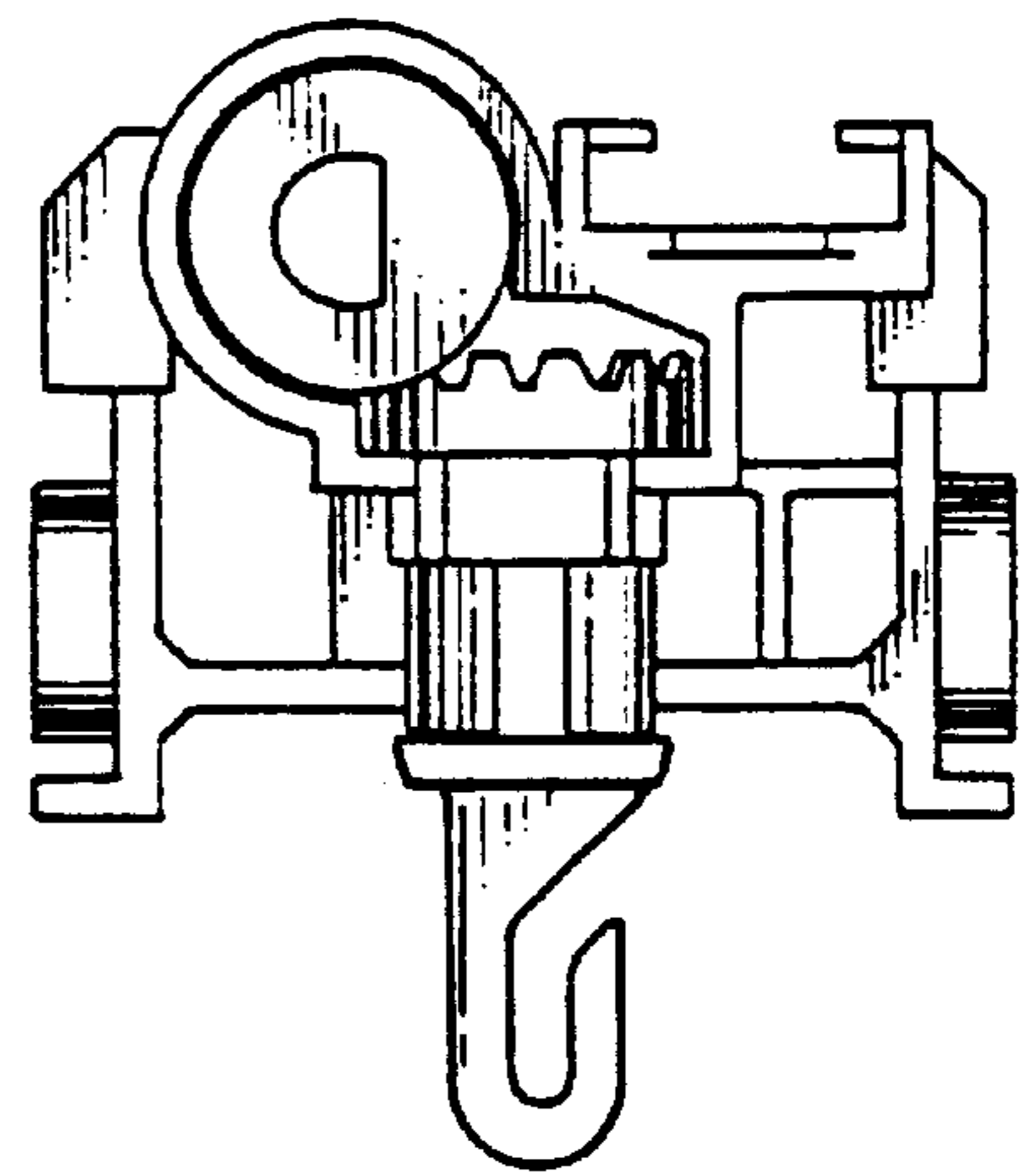


FIG. 3

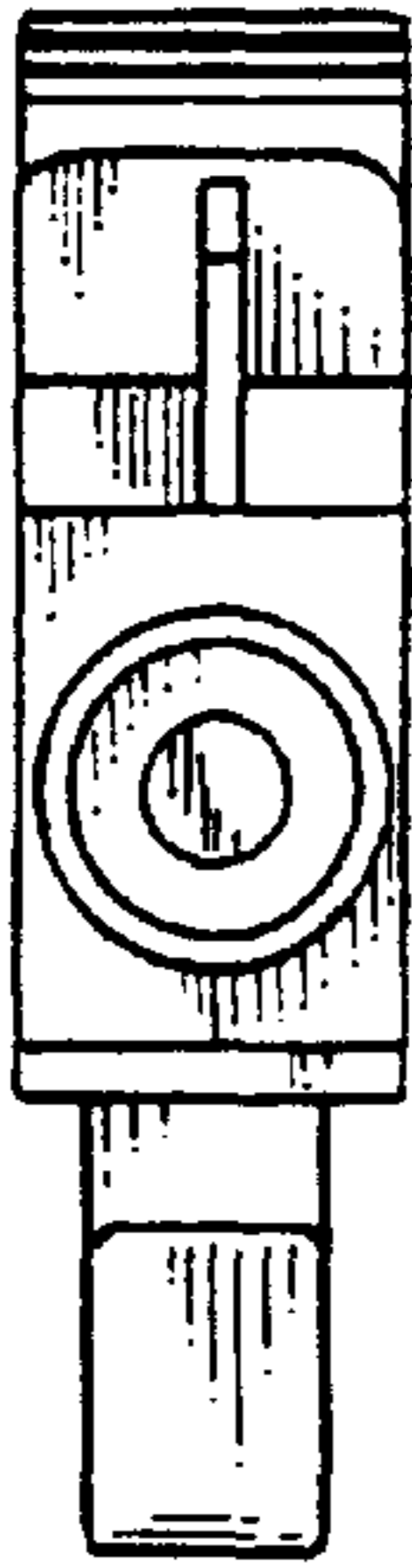


FIG. 5

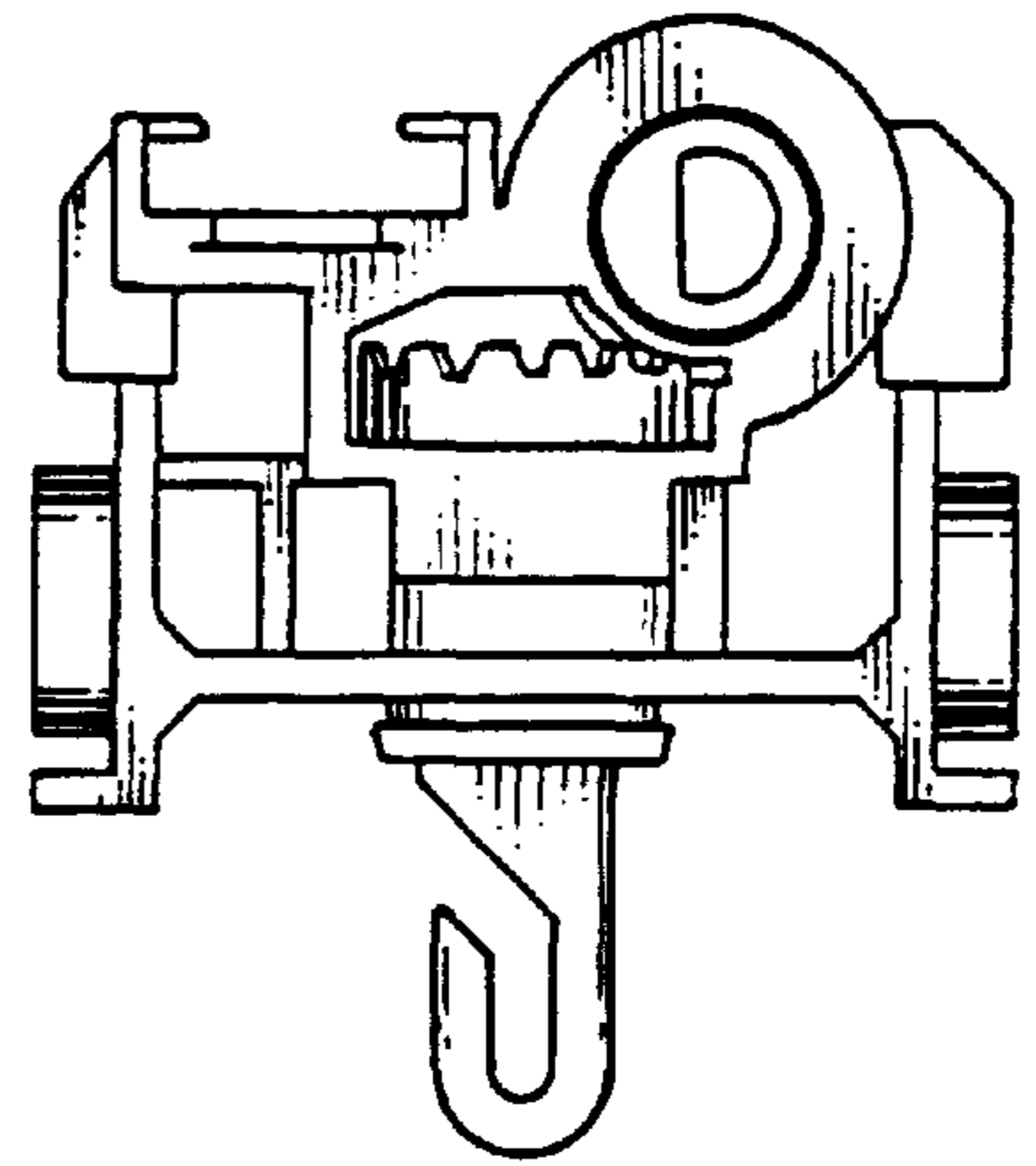


FIG. 6

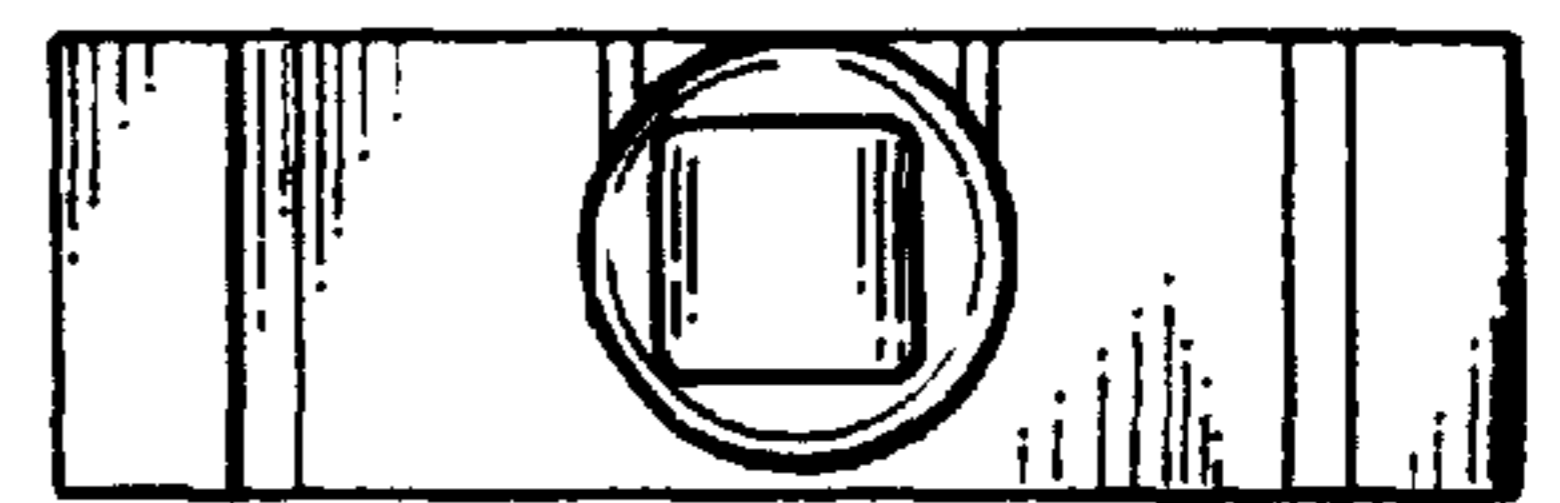


FIG. 7